



US00D584662S

(12) **United States Design Patent**  
**Ichihara**

(10) **Patent No.:** **US D584,662 S**  
(45) **Date of Patent:** **\*\* Jan. 13, 2009**

(54) **SIDE COVER FOR A MOTORCYCLE**

(75) Inventor: **Fumio Ichihara**, Hyogo (JP)

(73) Assignee: **Kawasaki Jukogyo Kabushiki Kaisha**, Hyogo (JP)

(\*\*) Term: **14 Years**

(21) Appl. No.: **29/273,722**

(22) Filed: **Mar. 12, 2007**

(30) **Foreign Application Priority Data**

Sep. 15, 2006 (JP) ..... 2006-024791

(51) **LOC (9) Cl.** ..... **12-11**

(52) **U.S. Cl.** ..... **D12/126**

(58) **Field of Classification Search** ..... D12/110,  
D12/114, 126, 184-186, 181, 182; 180/219,  
180/225, 220; 296/193.01, 192, 293.05,  
296/193.09, 77.1, 78.1; 280/304.4, 852,  
280/304.3, 152.1-152.3, 847, 848

See application file for complete search history.

(56) **References Cited**

**U.S. PATENT DOCUMENTS**

D242,340 S \* 11/1976 Vetter ..... D12/182  
D501,431 S \* 2/2005 Hirano ..... D12/110  
D522,415 S \* 6/2006 Tanaka et al. .... D12/126

D557,639 S \* 12/2007 Xu ..... D12/126

\* cited by examiner

*Primary Examiner*—Cathron C Brooks

*Assistant Examiner*—Linda Brooks

(57) **CLAIM**

The ornamental design for a side cover for a motorcycle, as shown and described.

**DESCRIPTION**

FIG. 1 is a front elevational view of a side cover for a motorcycle showing my new design;

FIG. 2 is a rear elevational view thereof;

FIG. 3 is a left side elevational view thereof;

FIG. 4 is a right side elevational view thereof;

FIG. 5 is a top plan view thereof;

FIG. 6 is a bottom plan view thereof;

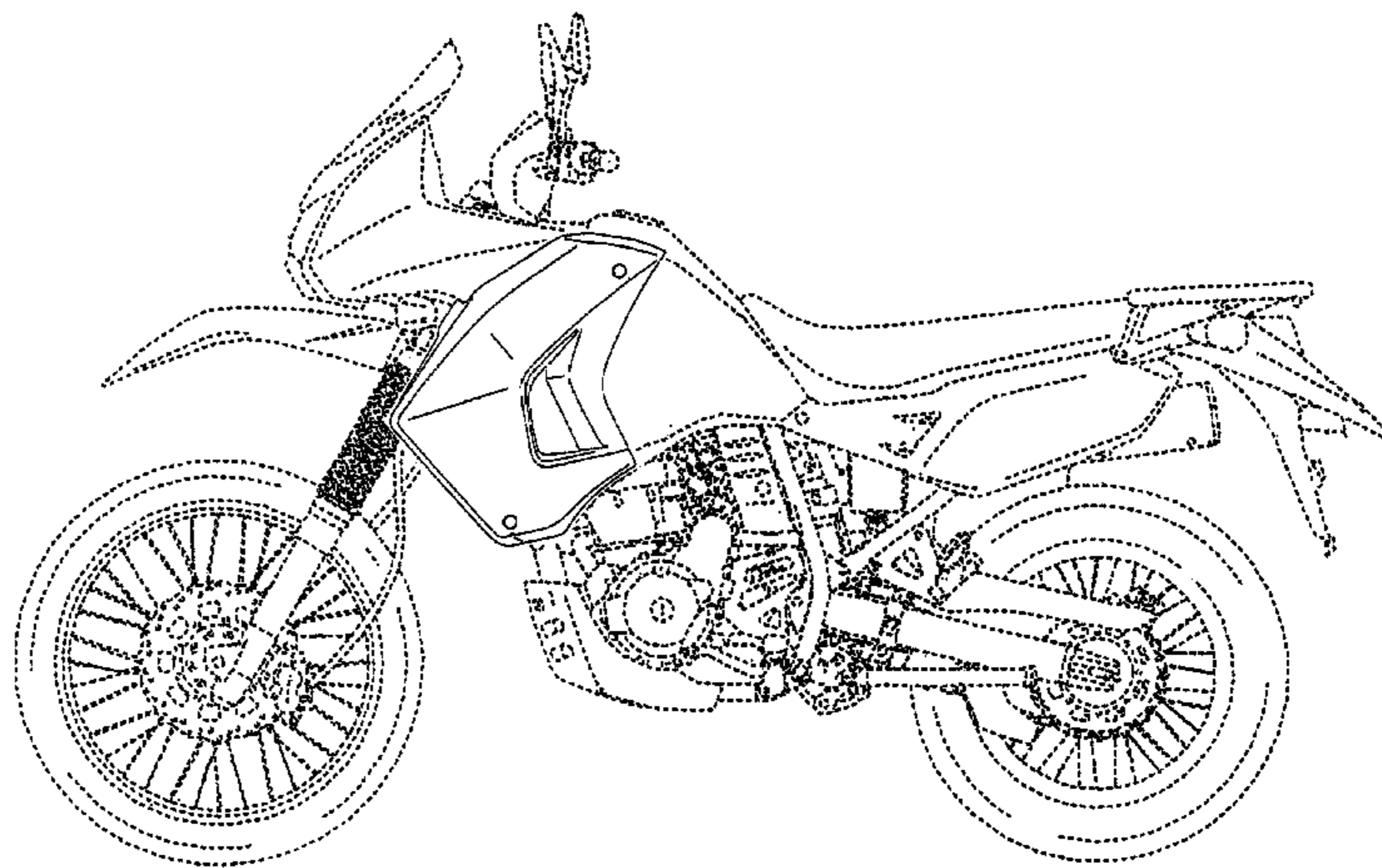
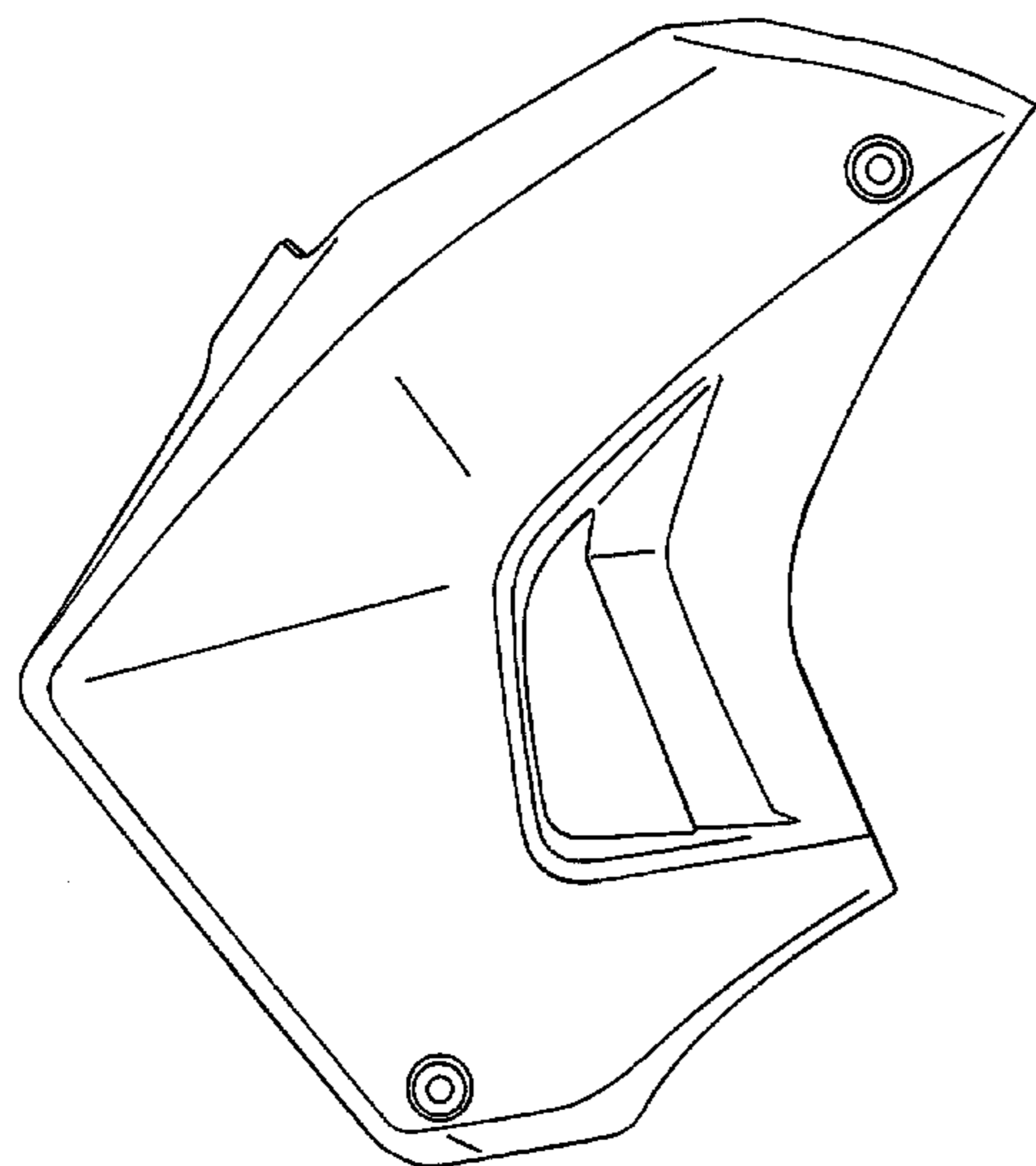
FIG. 7 is a front perspective view thereof;

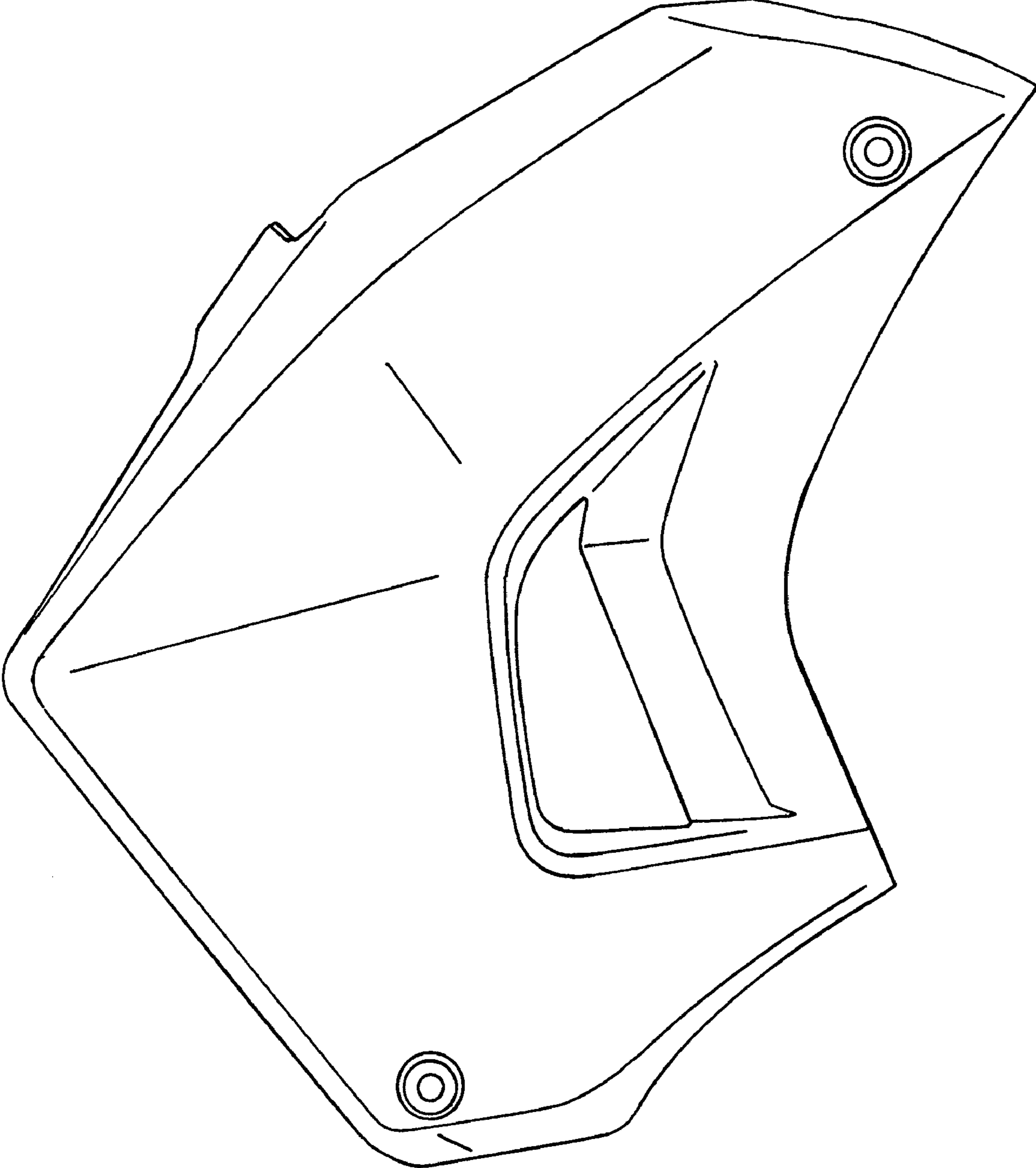
FIG. 8 is a rear perspective view thereof; and,

FIG. 9 is a reference view of the side cover for a motorcycle from the right side of a motorcycle, shown on a reduced scale and in position of use.

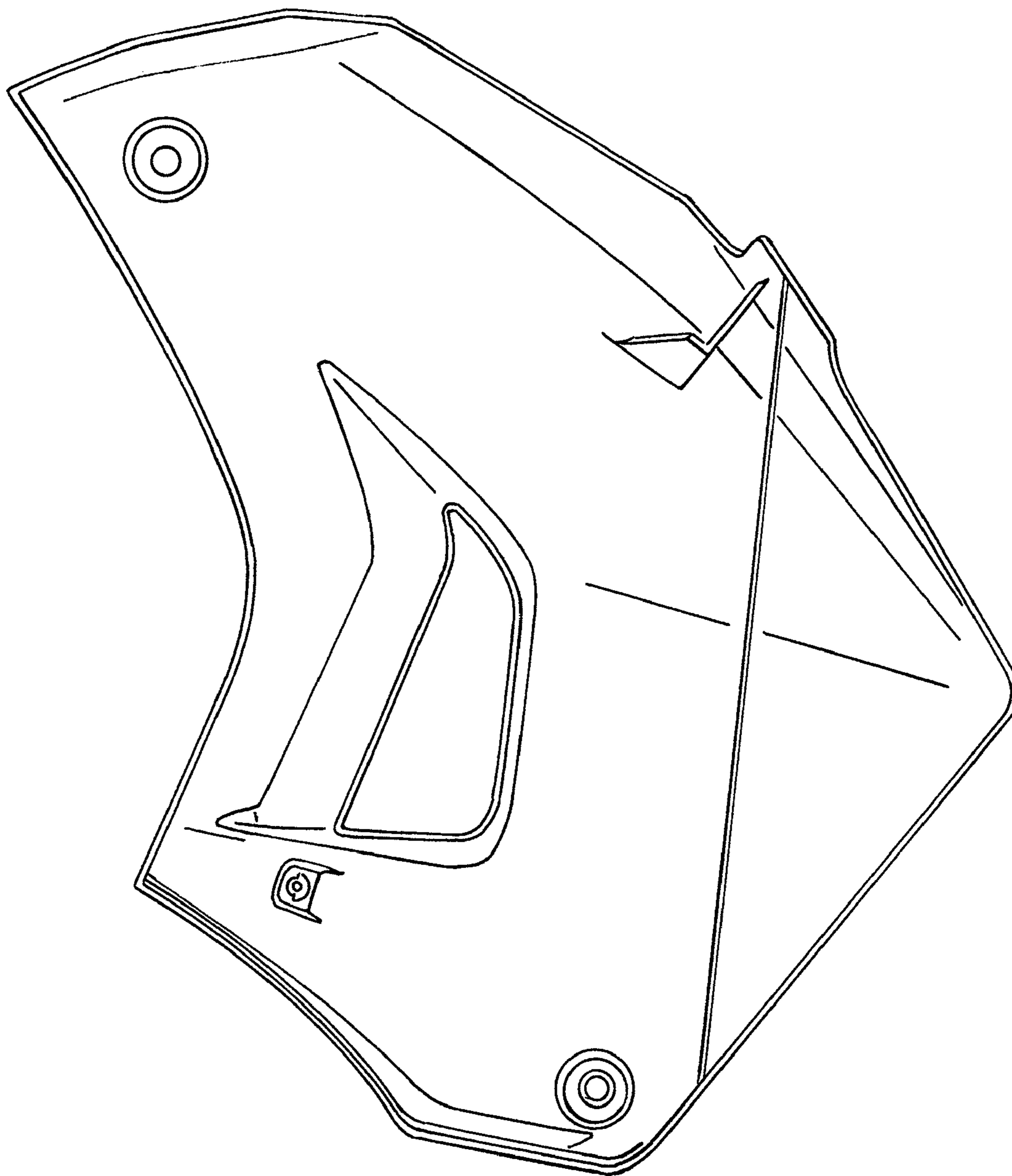
The broken lines in FIG. 9, showing other portions of the motorcycle form no part of the claimed design.

**1 Claim, 9 Drawing Sheets**





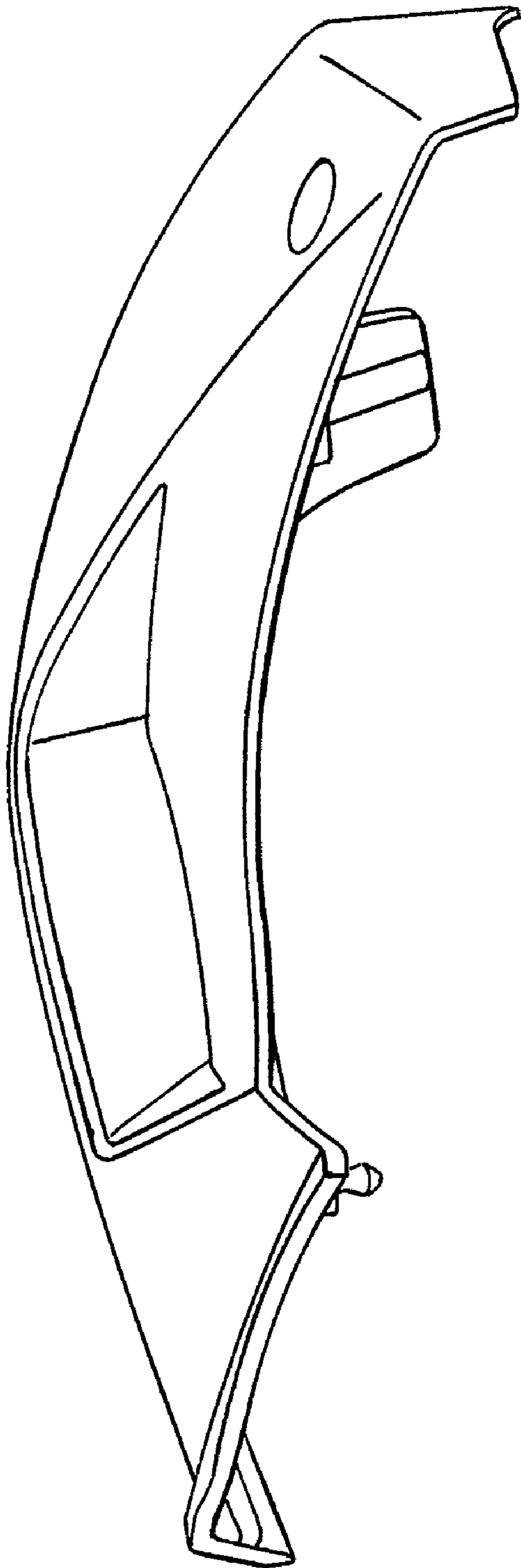
**FIG. 1**



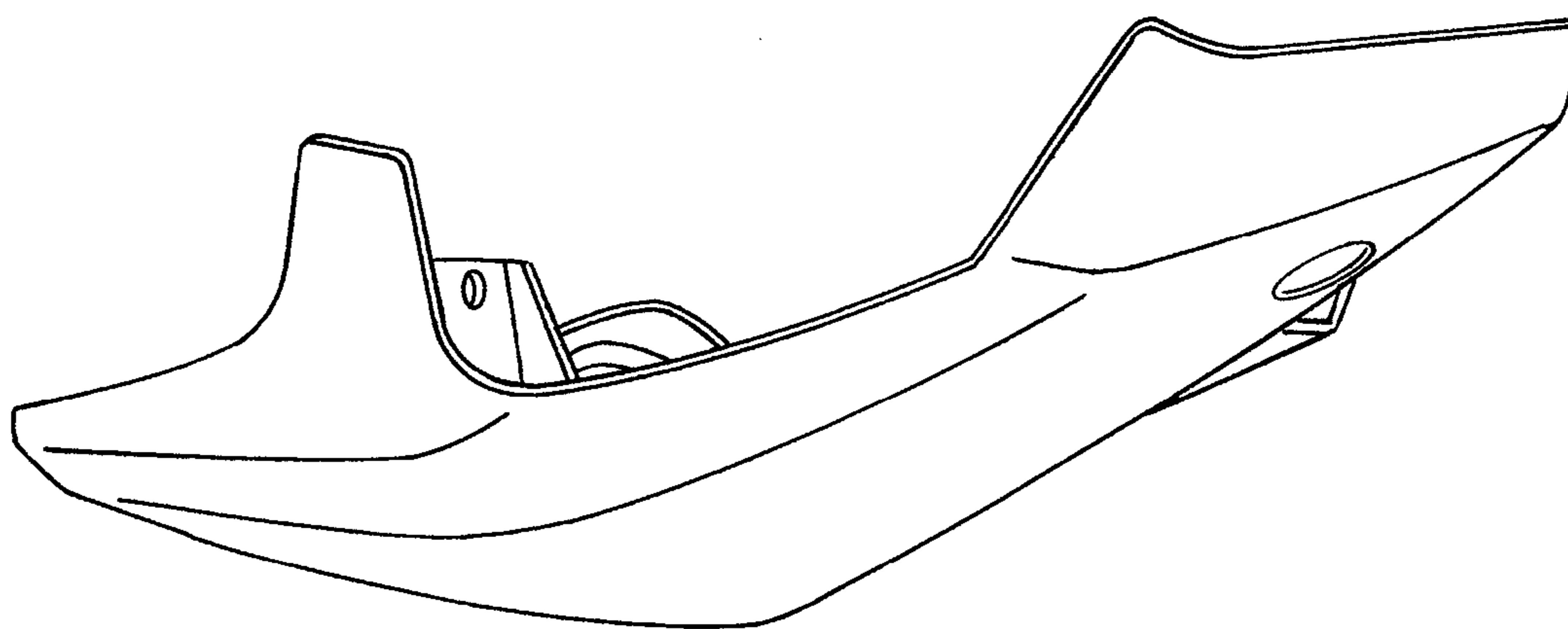
**FIG. 2**



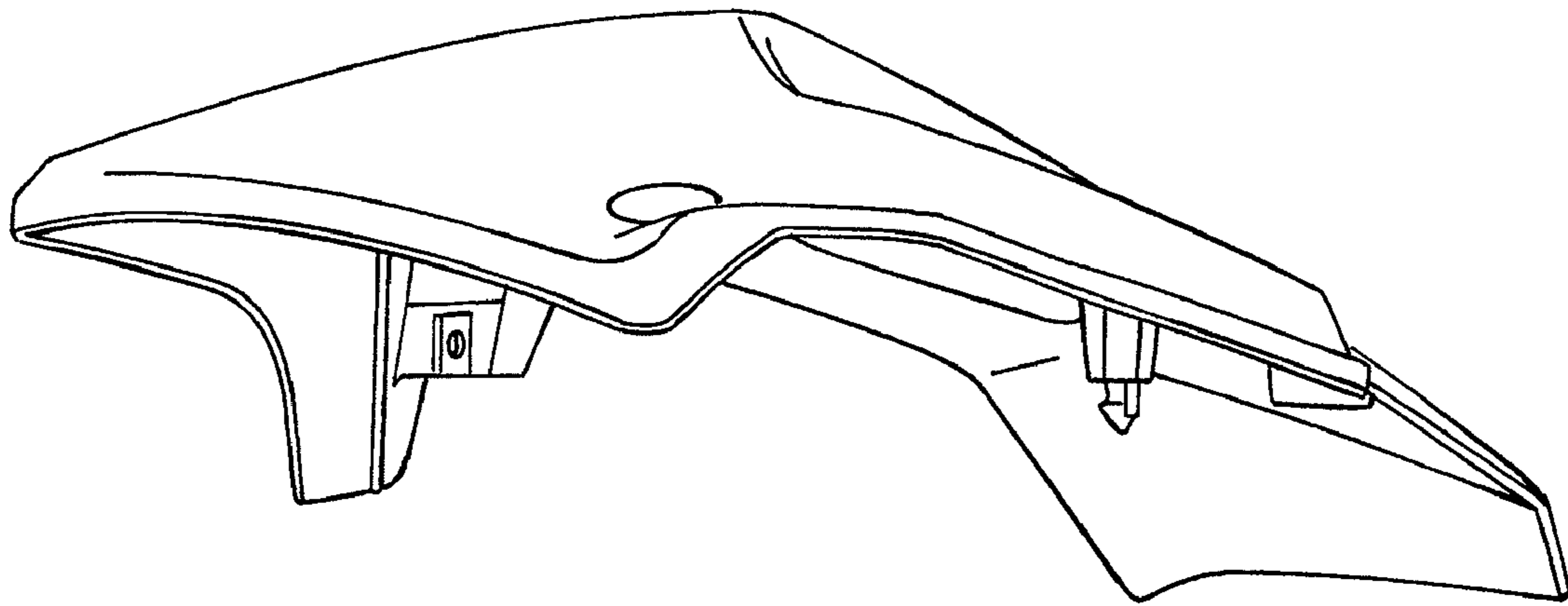
**FIG. 3**



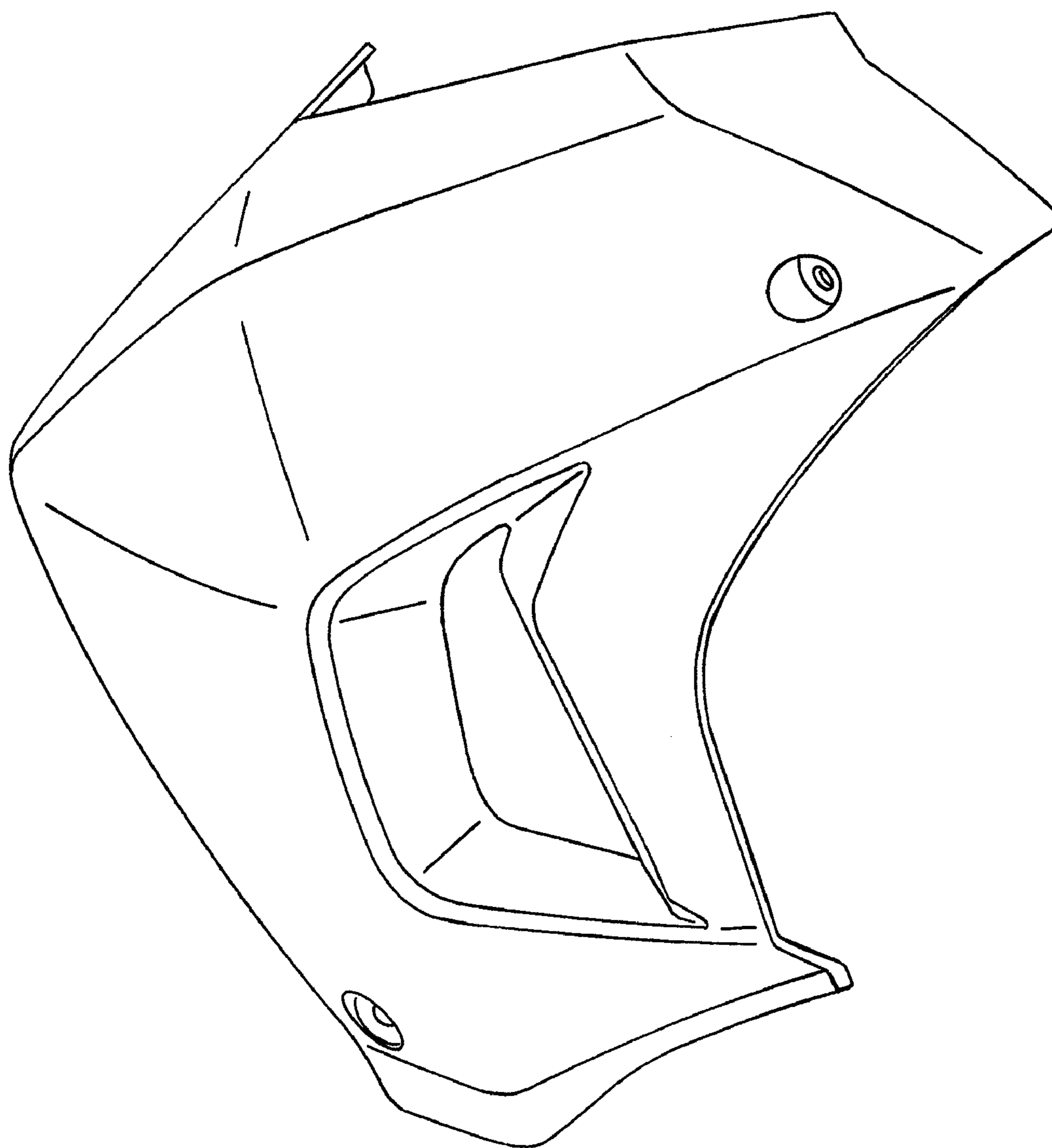
**FIG. 4**



**FIG. 5**

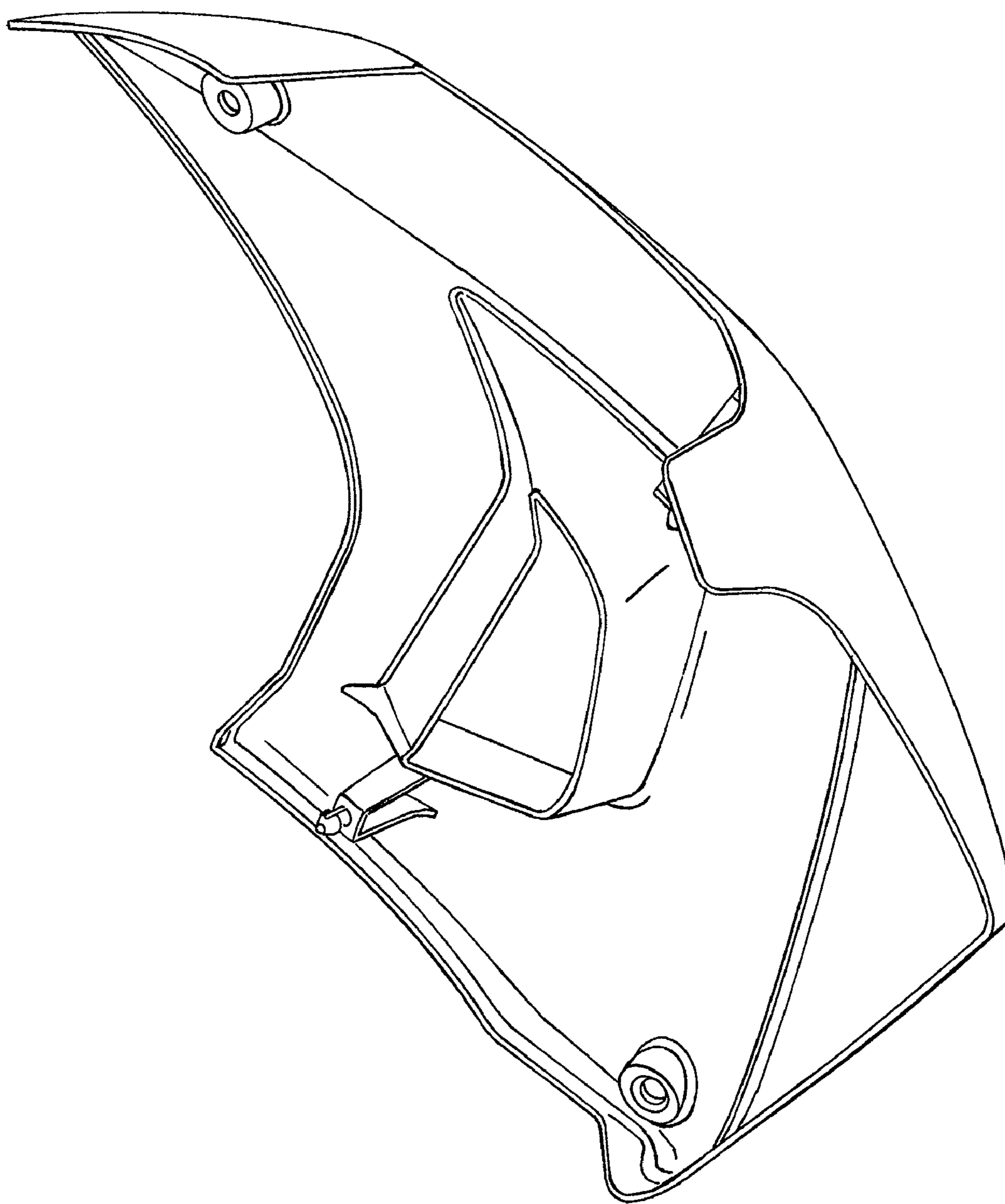


*FIG. 6*



**FIG. 7**





**FIG. 8**

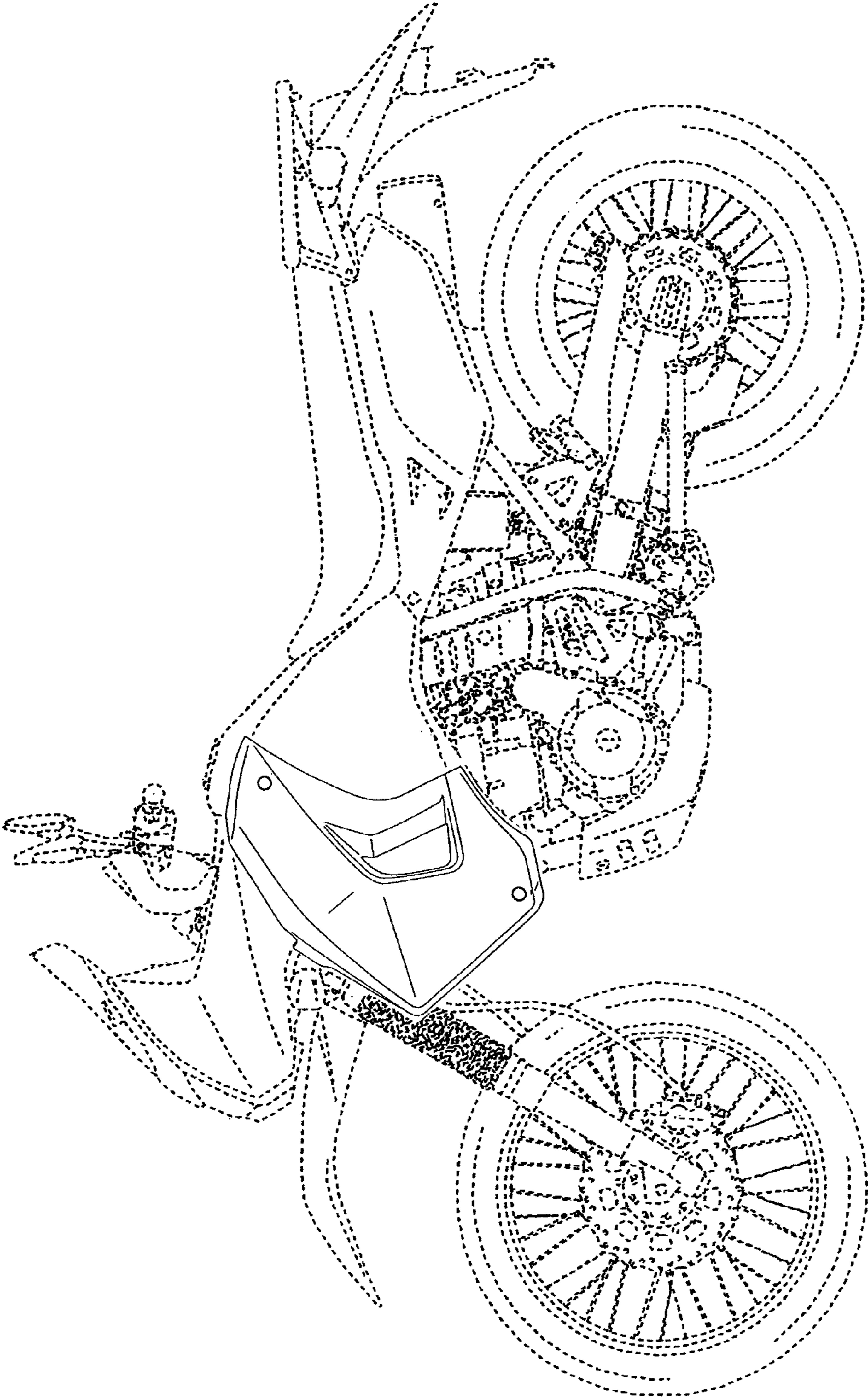


FIG. 9