



US00D584661S

(12) **United States Design Patent**  
**Tanaka et al.**

(10) **Patent No.:** **US D584,661 S**  
(45) **Date of Patent:** **\*\* Jan. 13, 2009**

(54) **ALL TERRAIN VEHICLE**

(75) Inventors: **Shunji Tanaka**, Kobe (JP); **Fumio Ichihara**, Kako-gun (JP)

(73) Assignee: **Kawasaki Jukogyo Kabushiki Kaisha**, Kobe-shi (JP)

(\*\*) Term: **14 Years**

(21) Appl. No.: **29/285,626**

(22) Filed: **Apr. 3, 2007**

(51) **LOC (9) Cl.** ..... **12-11**

(52) **U.S. Cl.** ..... **D12/107**

(58) **Field of Classification Search** ..... D12/3,  
D12/86, 87, 107, 110; 180/225, 229, 233,  
180/311, 312, 315, 223

See application file for complete search history.

(56) **References Cited**

**U.S. PATENT DOCUMENTS**

D427,110 S *	6/2000	Saito et al. ....	D12/107
D428,363 S *	7/2000	Sugimoto et al. ....	D12/107
D429,663 S *	8/2000	Tamashima et al. ....	D12/107
D436,559 S *	1/2001	Fujieda .....	D12/107
D516,467 S *	3/2006	Wu .....	D12/107
D520,912 S	5/2006	Knight et al.	
D529,414 S *	10/2006	Wu et al. ....	D12/107
D542,186 S *	5/2007	Lai et al. ....	D12/107

\* cited by examiner

*Primary Examiner*—Ian Simmons

*Assistant Examiner*—Linda Brooks

(74) *Attorney, Agent, or Firm*—Alleman Hall McCoy Russell & Tuttle LLP

(57) **CLAIM**

The ornamental design for an all terrain vehicle, as shown and described.

**DESCRIPTION**

FIG. 1 is a front perspective view of an all terrain vehicle, according to the invention.

FIG. 2 is a rear perspective view of the all terrain vehicle of FIG. 1.

FIG. 3 is a front view of the all terrain vehicle of FIG. 1.

FIG. 4 is a rear view of the all terrain vehicle of FIG. 1.

FIG. 5 is a right side view of the all terrain vehicle of FIG. 1.

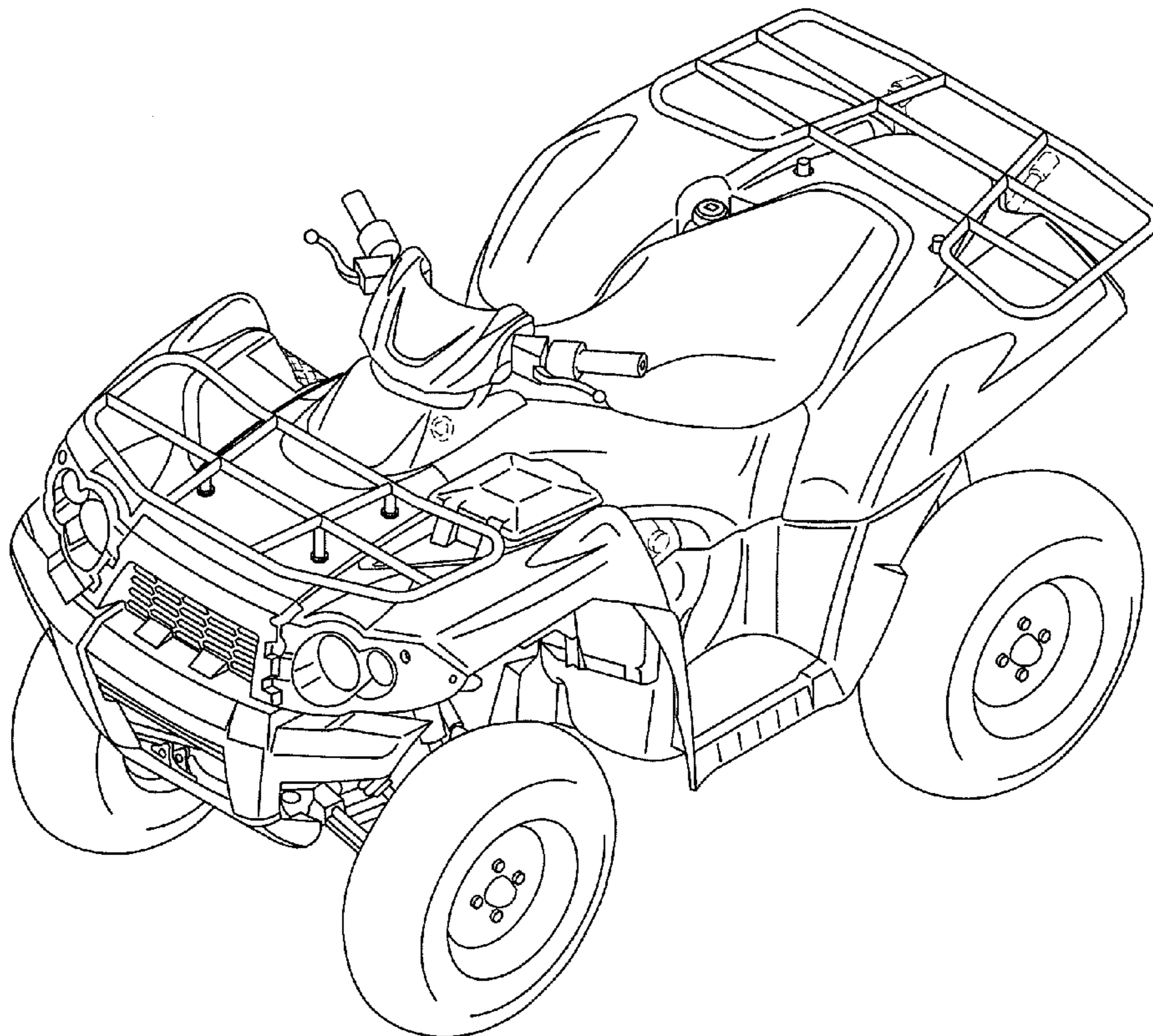
FIG. 6 is a left side view of the all terrain vehicle of FIG. 1.

FIG. 7 is a top view of the all terrain vehicle of FIG. 1; and,

FIG. 8 is a bottom view of the all terrain vehicle of FIG. 1.

The portions shown in broken lines form no part of the claimed design.

**1 Claim, 8 Drawing Sheets**



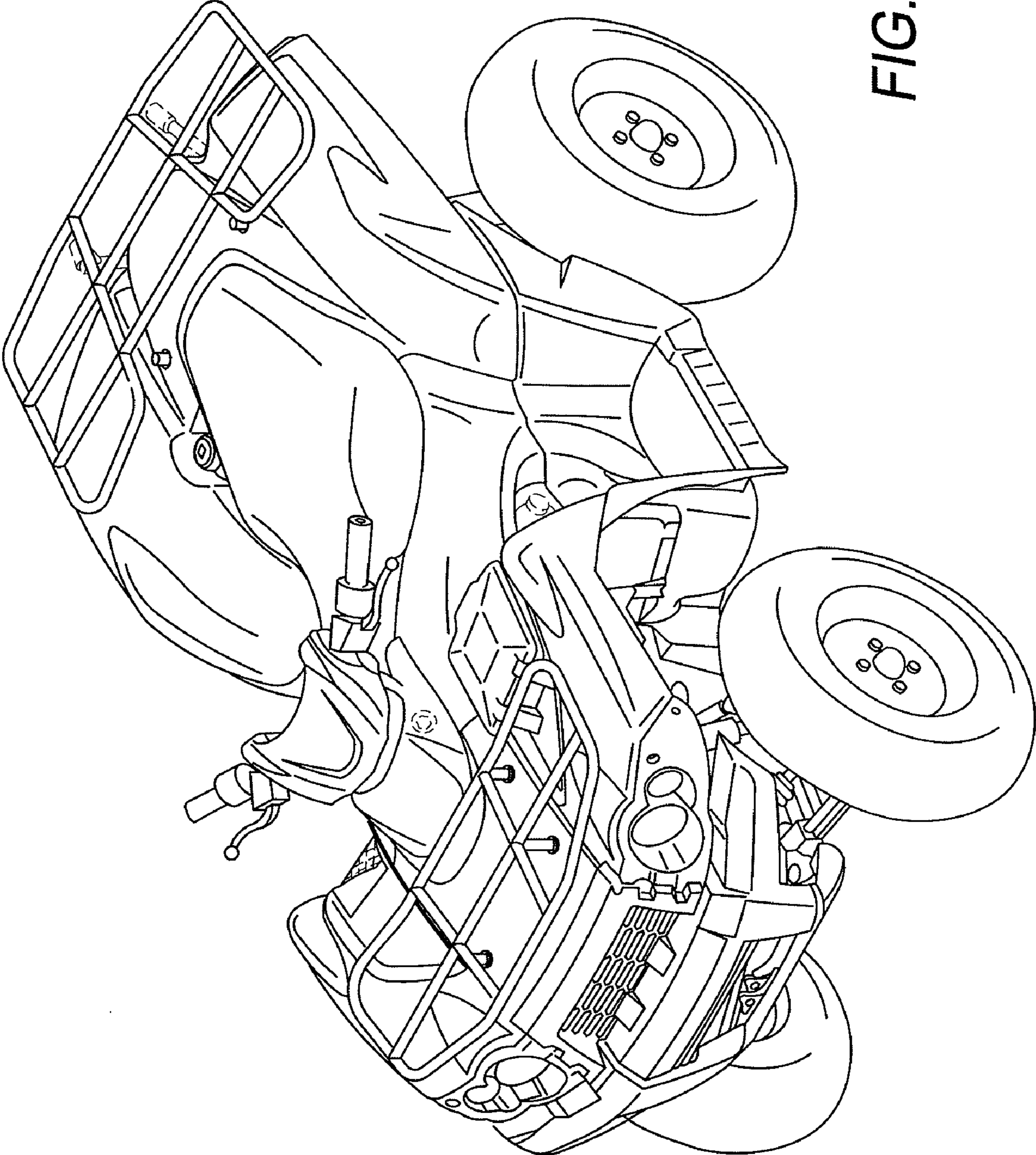


FIG. 1

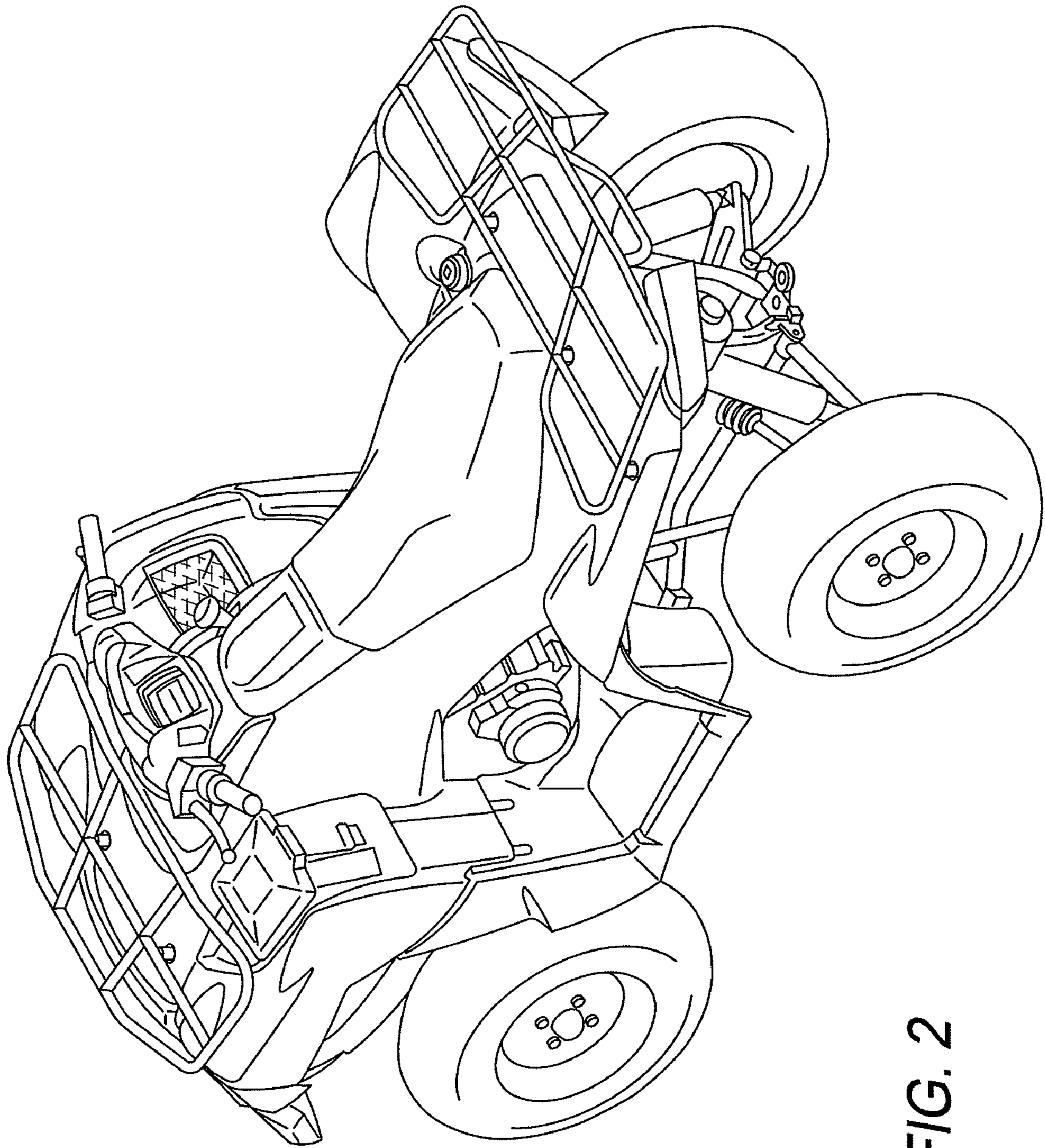
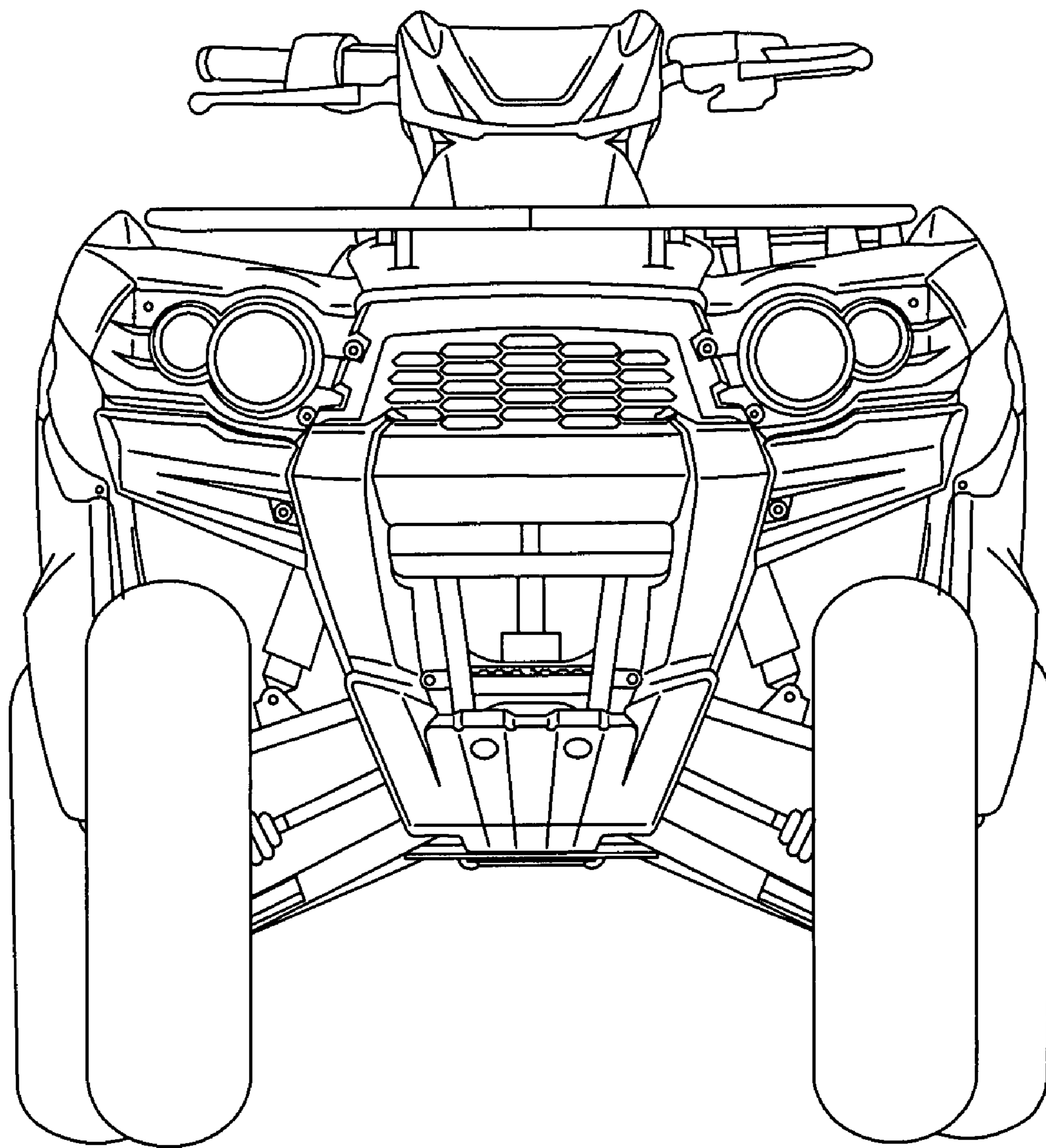
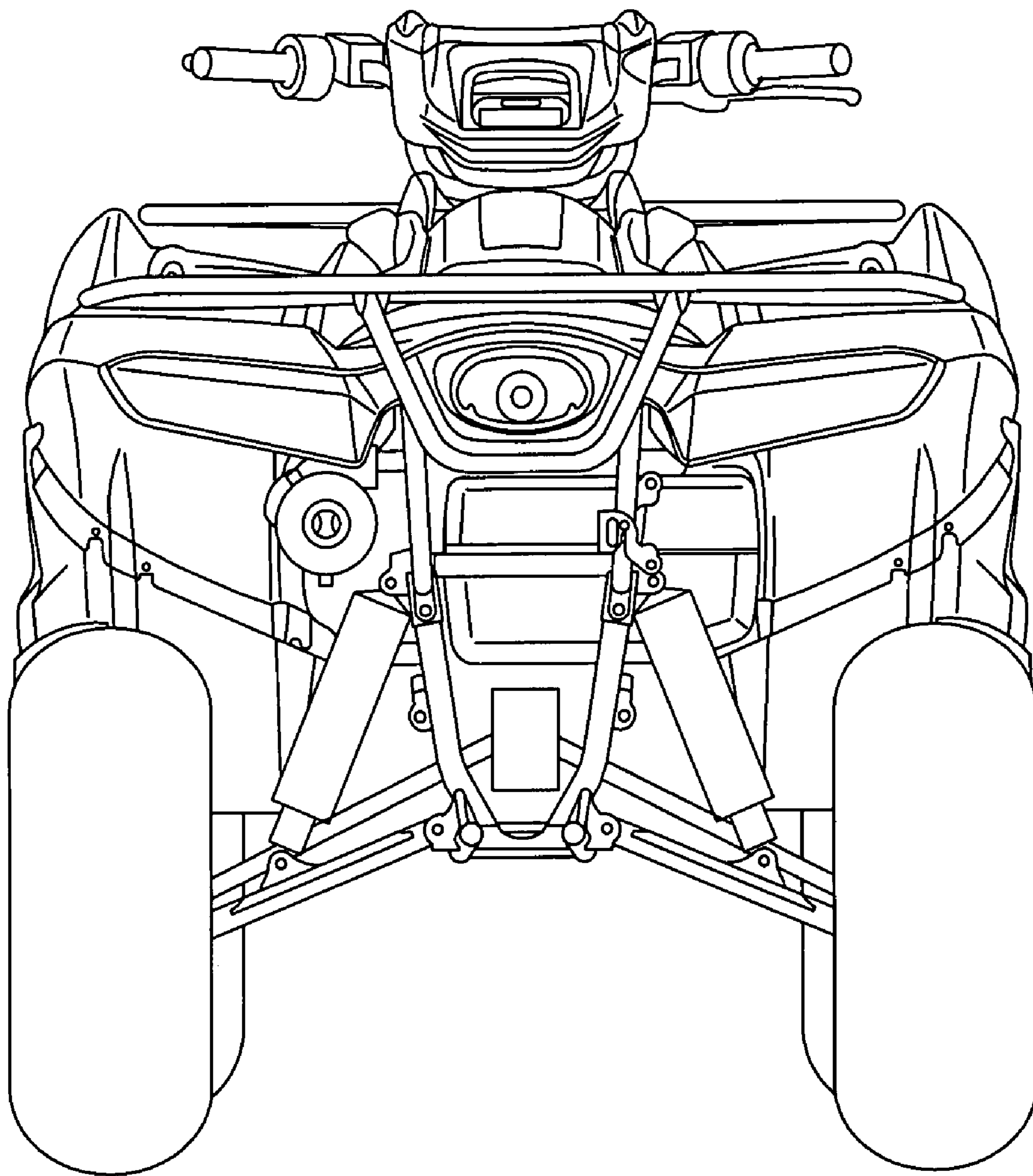


FIG. 2



**FIG. 3**



**FIG. 4**

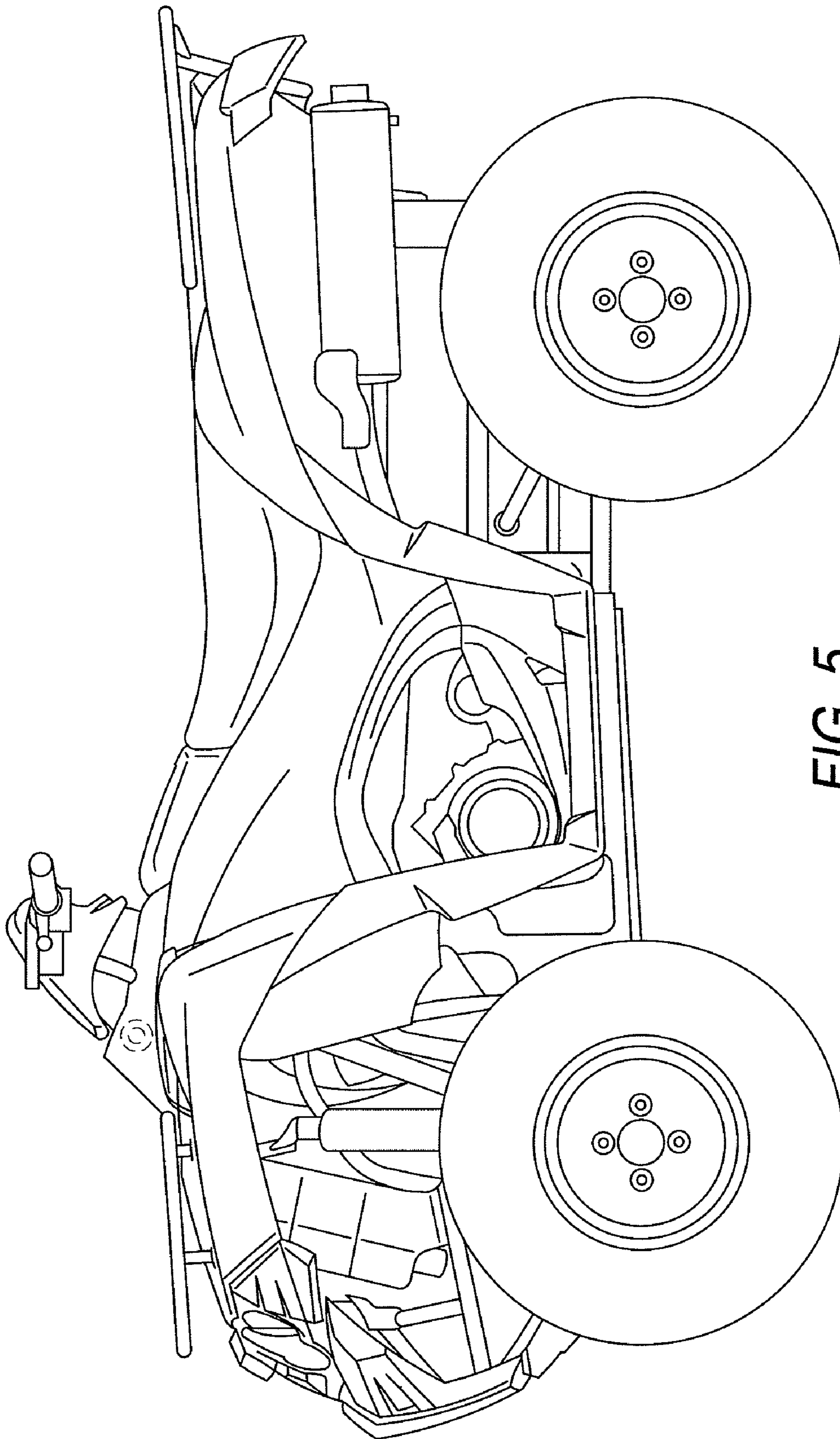


FIG. 5

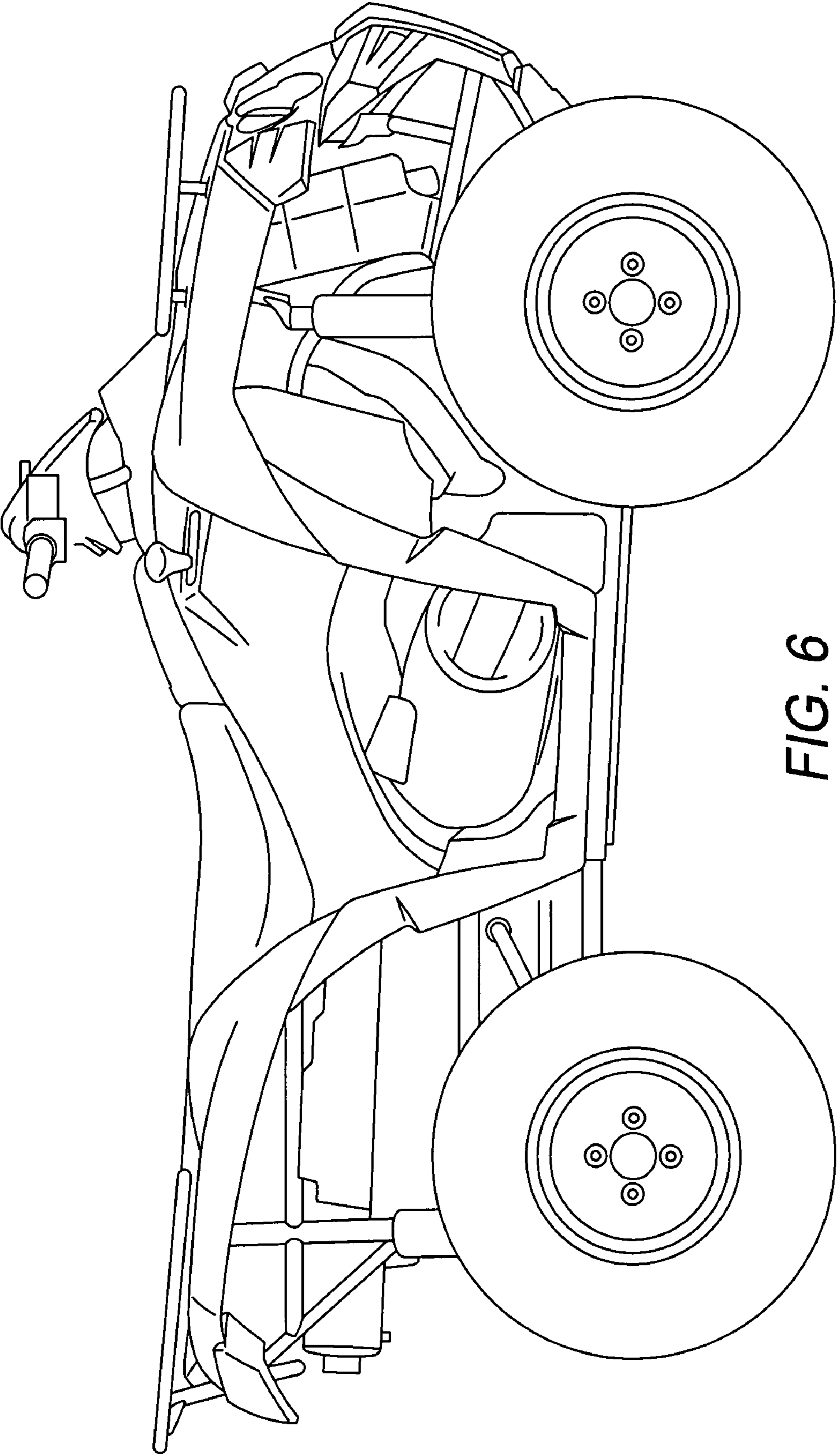


FIG. 6

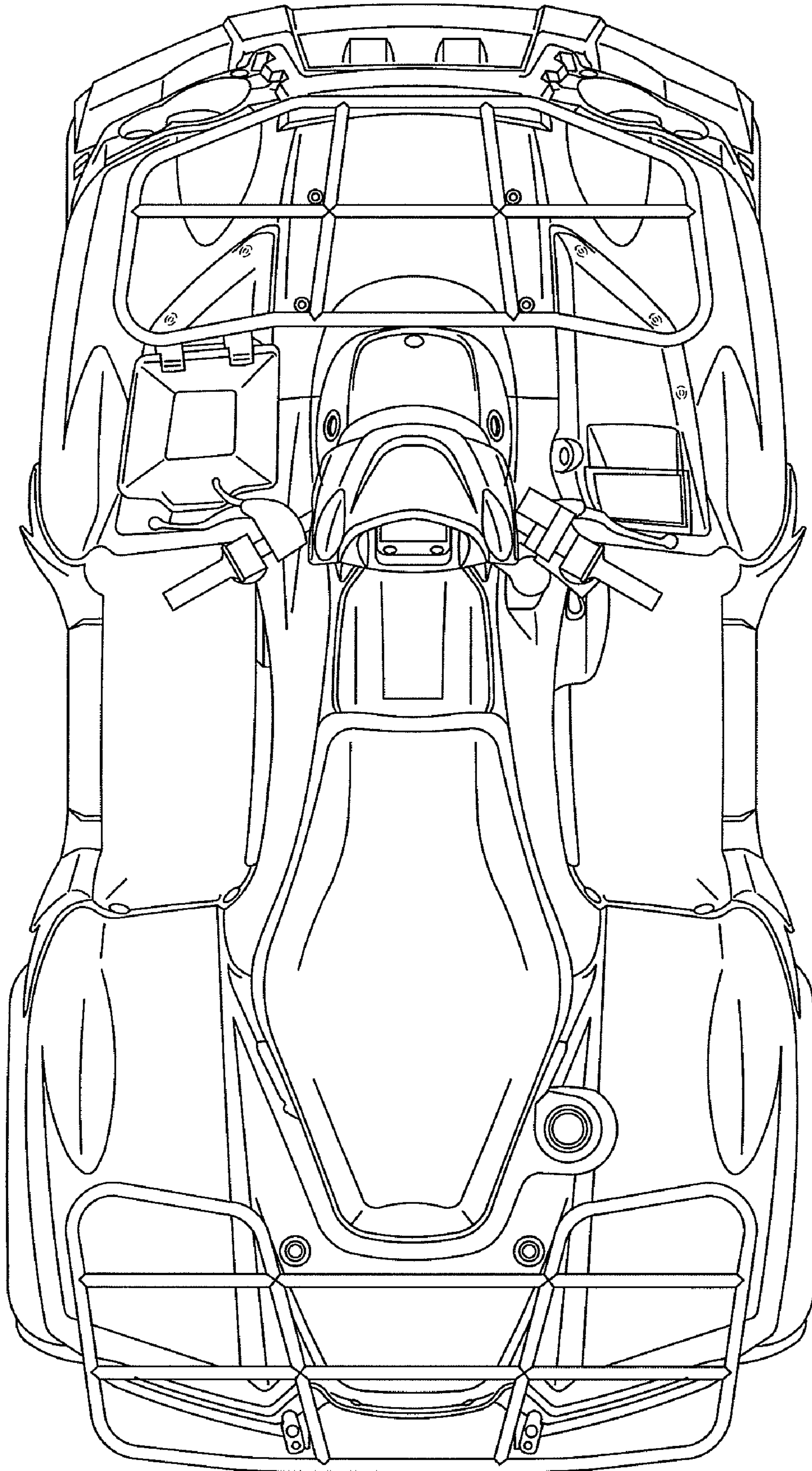


FIG. 7



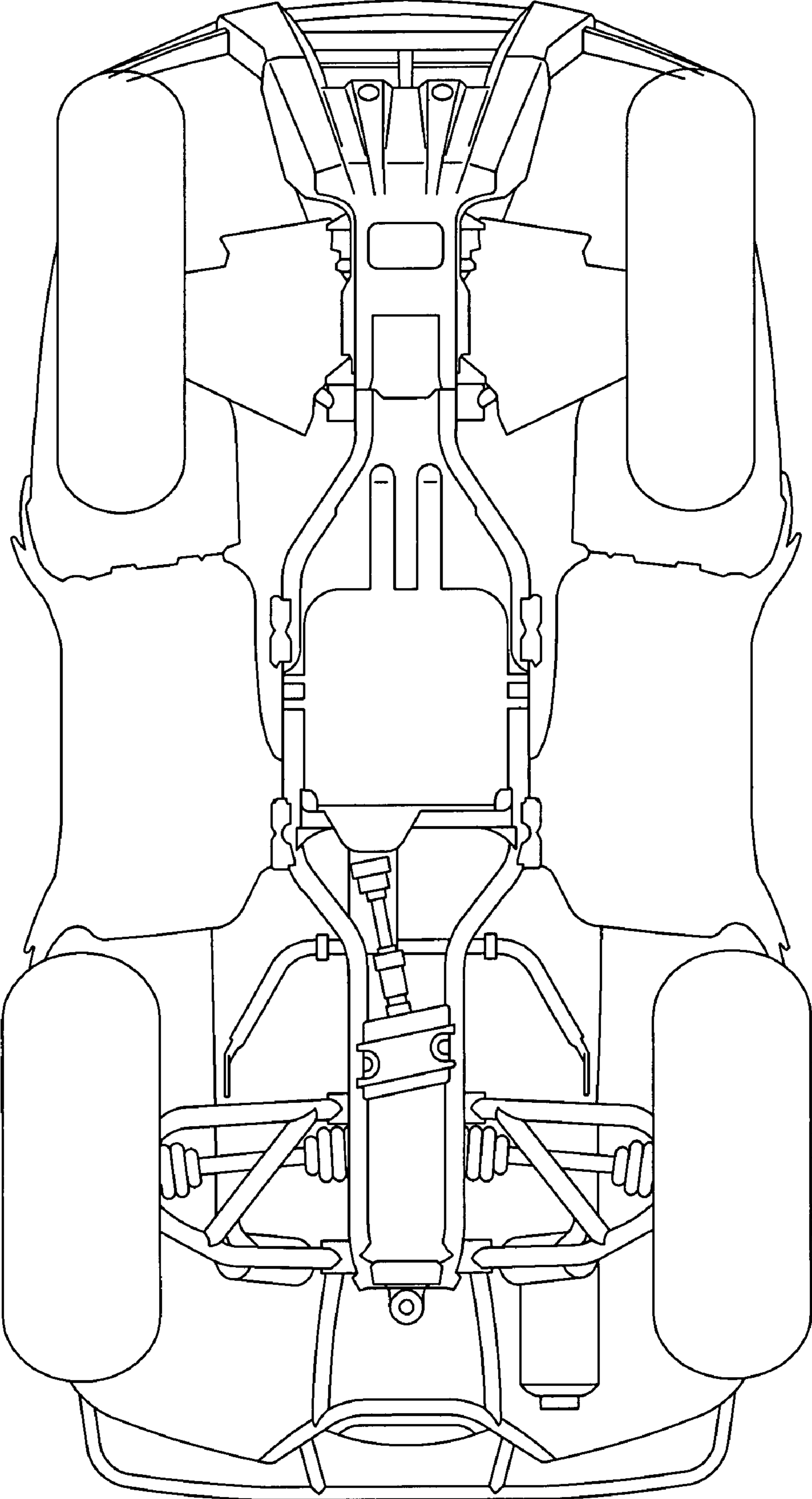


FIG. 8