



US00D584658S

(12) **United States Design Patent**  
**Minami**

(10) **Patent No.:** **US D584,658 S**  
(45) **Date of Patent:** **\*\* Jan. 13, 2009**

(54) **AUTOMOBILE AND/OR REPLICA THEREOF**

D538,710 S \* 3/2007 Hsu ..... D12/91

(75) Inventor: **Toshinobu Minami**, Saitama-ken (JP)

\* cited by examiner

(73) Assignee: **Honda Motor Co., Ltd.**, Tokyo (JP)

*Primary Examiner*—Melody N Brown

(\*\*) Term: **14 Years**

(74) *Attorney, Agent, or Firm*—Westernman, Hattori, Daniels & Adrian, LLP.

(21) Appl. No.: **29/303,159**

(57) **CLAIM**

(22) Filed: **Feb. 1, 2008**

The ornamental design for an automobile and/or replica thereof, as shown and described.

(30) **Foreign Application Priority Data**

**DESCRIPTION**

Aug. 3, 2007 (JP) ..... 2007-021204

(51) **LOC (9) Cl.** ..... **12-06**

(52) **U.S. Cl.** ..... **D12/91**

(58) **Field of Classification Search** ..... D12/86,  
D12/90-92; 296/181.1, 181.5

See application file for complete search history.

FIG. 1 is a front and left side perspective view of an automobile and/or replica showing my new design;

FIG. 2 is a rear and left side perspective view thereof;

FIG. 3 is a left side elevation view thereof, the right side view is substantially a mirror image of the left side shown;

FIG. 4 is a front elevation view thereof;

FIG. 5 is a rear elevation view thereof; and,

FIG. 6 is a top plan view thereof.

The portion of the article shown in broken lines is for illustrative purpose only and forms no part of the claimed design.

(56) **References Cited**

**U.S. PATENT DOCUMENTS**

D520,909 S \* 5/2006 Tokutake et al. .... D12/91

D525,561 S \* 7/2006 Schreyer et al. .... D12/91

D525,562 S \* 7/2006 Yagi et al. .... D12/91

D525,910 S \* 8/2006 Sugiura et al. .... D12/91

**1 Claim, 6 Drawing Sheets**

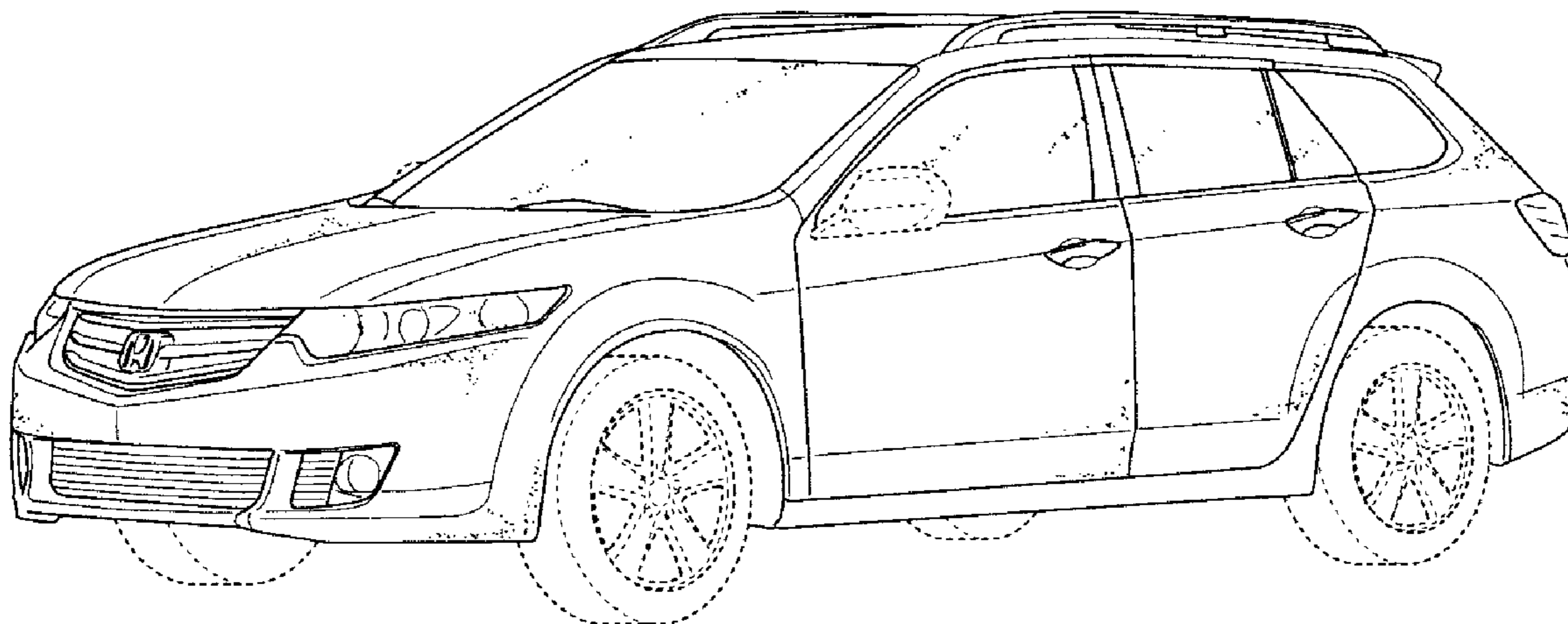


FIG. 1

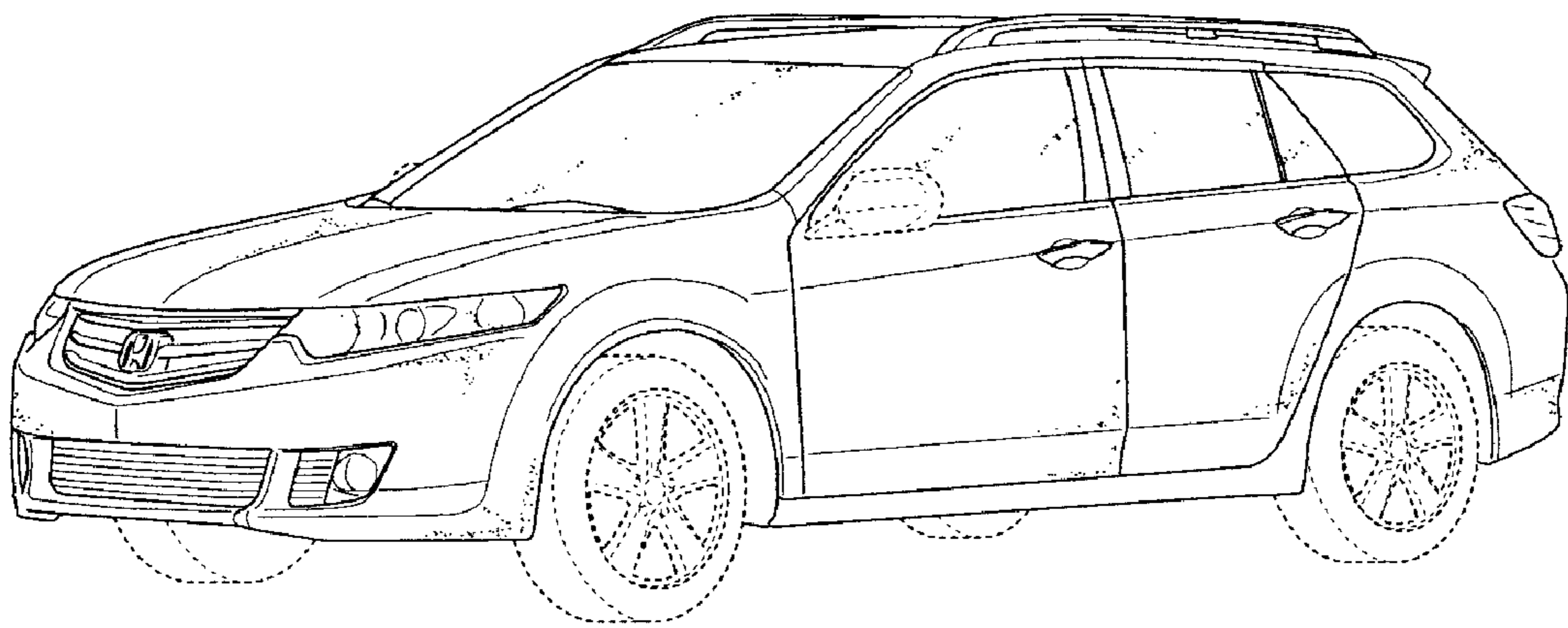


FIG. 2

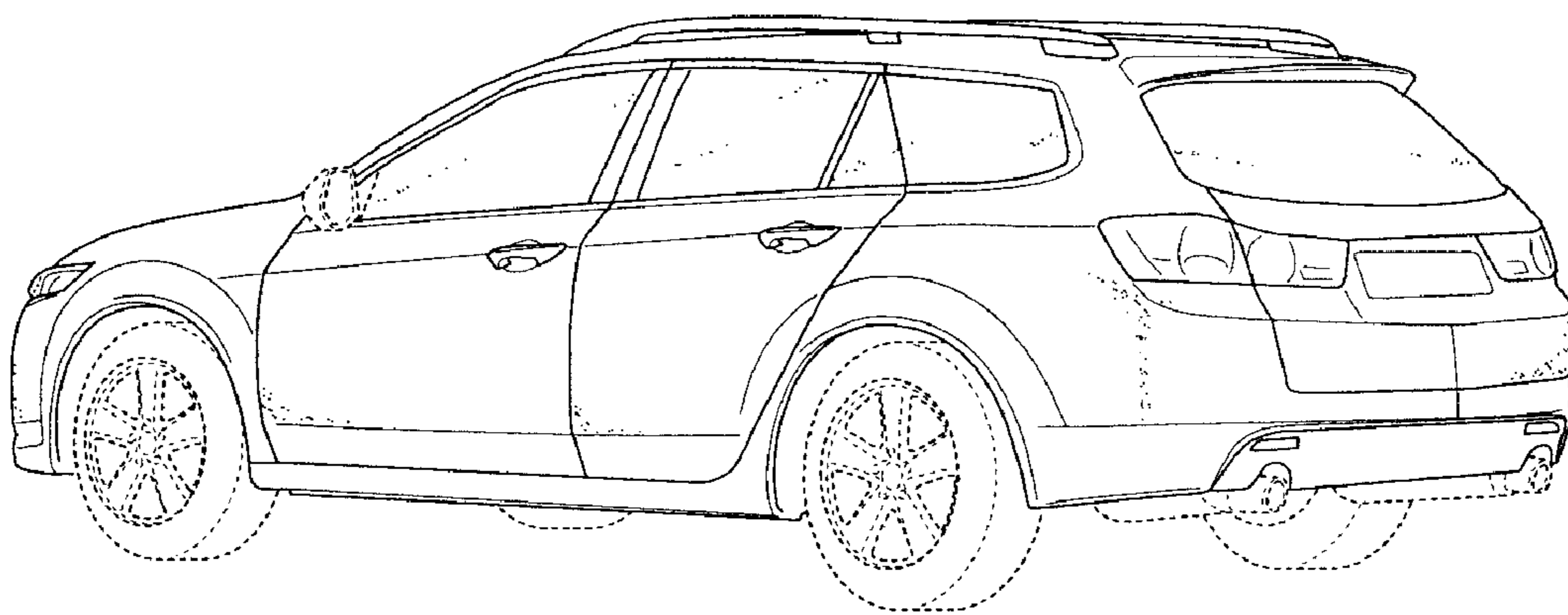


FIG. 3

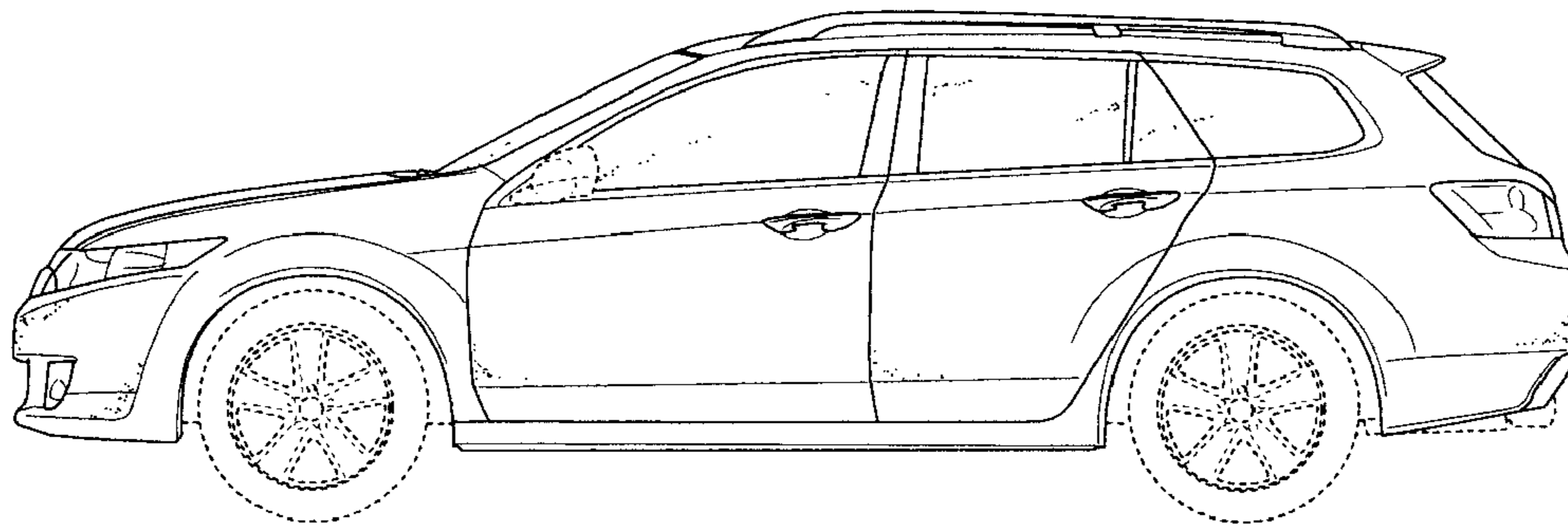
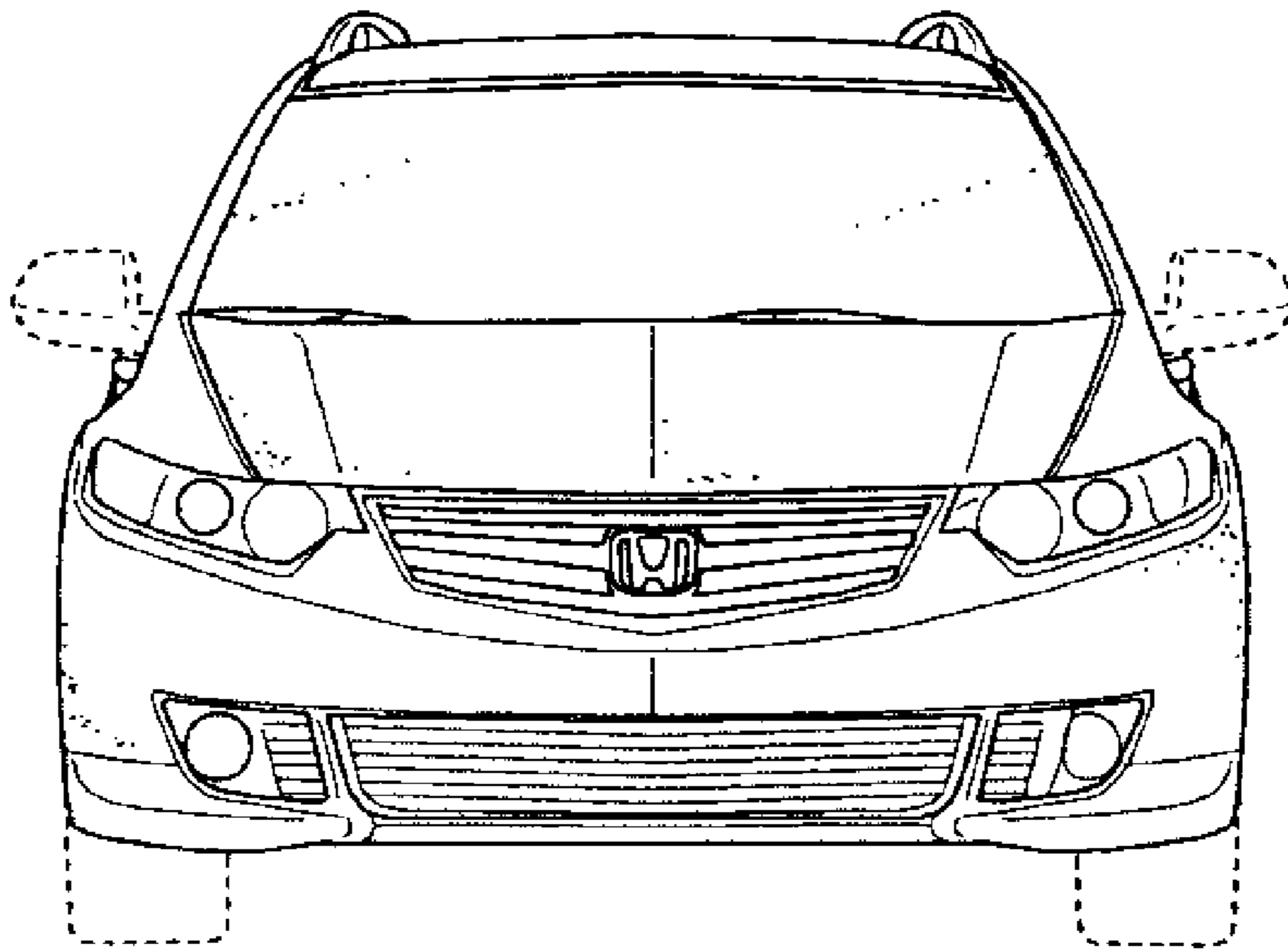


FIG. 4



# FIG. 5

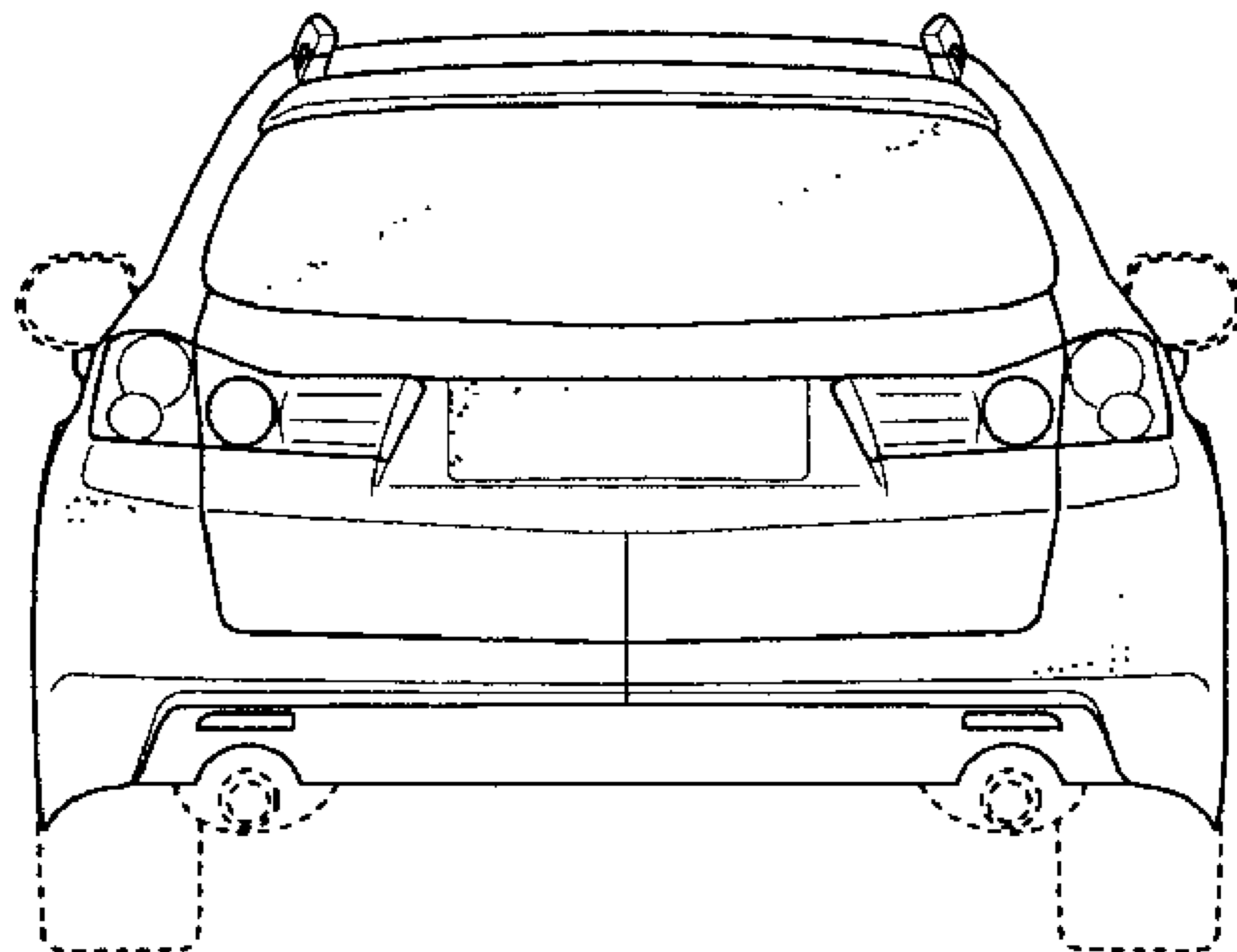


FIG. 6

