



US00D584655S

(12) **United States Design Patent**
Banman

(10) **Patent No.:** **US D584,655 S**
(45) **Date of Patent:** **** Jan. 13, 2009**

(54) **FOOTBALL AWARD TROPHY**
(75) Inventor: **John Banman**, S. El Monte, CA (US)
(73) Assignee: **Plastic Dress-Up Company**, S. El Monte, CA (US)

D386,118 S * 11/1997 Weisenfeld D11/157
D409,113 S * 5/1999 Tam D11/164
D414,444 S * 9/1999 Tam D11/164
D474,129 S * 5/2003 Penaluna D11/164
D479,809 S * 9/2003 Banman D11/132
D534,456 S * 1/2007 Ilaria et al. D11/157
D544,398 S * 6/2007 Banman D11/132

(**) Term: **14 Years**
(21) Appl. No.: **29/307,093**
(22) Filed: **Apr. 1, 2008**

* cited by examiner
Primary Examiner—Louis S Zarfaz
Assistant Examiner—Michelle E Wilson

(51) **LOC (9) Cl.** **11-02**
(52) **U.S. Cl.** **D11/157**
(58) **Field of Classification Search** D11/131,
D11/132, 133, 157, 164; D20/10, 12, 15,
D20/19, 20, 36; D6/300, 303, 309; 428/13,
428/14, 542.2, 542.4, 913.3
See application file for complete search history.

(57) **CLAIM**

The ornamental design for “football award trophy,” as shown.

DESCRIPTION

FIG. 1 is a front view of the “football award trophy” showing the new design;
FIG. 2 is a right side view thereof;
FIG. 3 is a left side view thereof;
FIG. 4 is a top plan view thereof;
FIG. 5 is a bottom plan view thereof; and,
FIG. 6 is a rear view thereof.

(56) **References Cited**

U.S. PATENT DOCUMENTS

D258,944 S * 4/1981 Valdez D11/157
D290,447 S * 6/1987 Evans D11/131
D320,177 S * 9/1991 Meekins D11/157
D355,390 S * 2/1995 Culbertson D11/132
D386,117 S * 11/1997 Weisenfeld D11/157

1 Claim, 4 Drawing Sheets

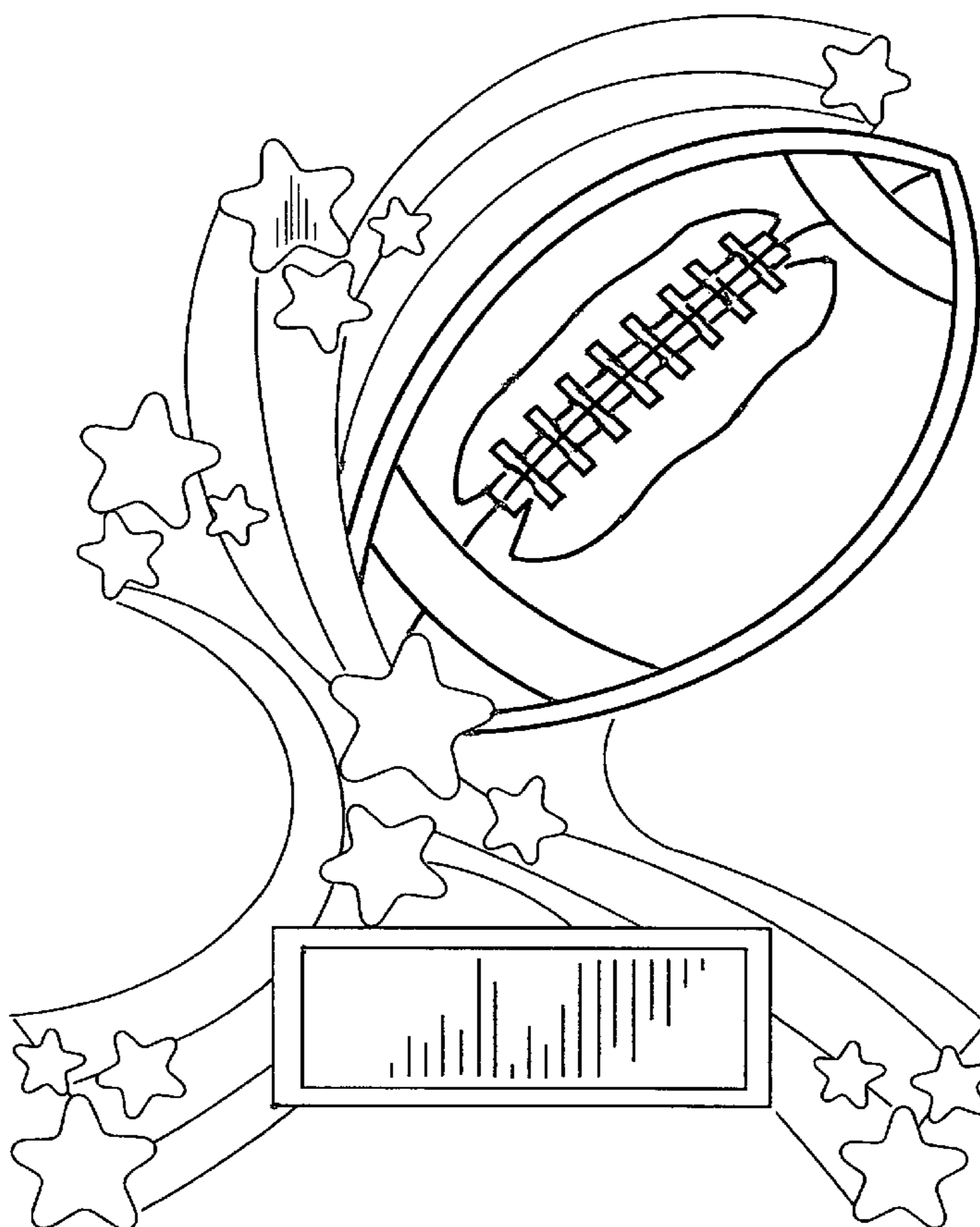




Fig. 1

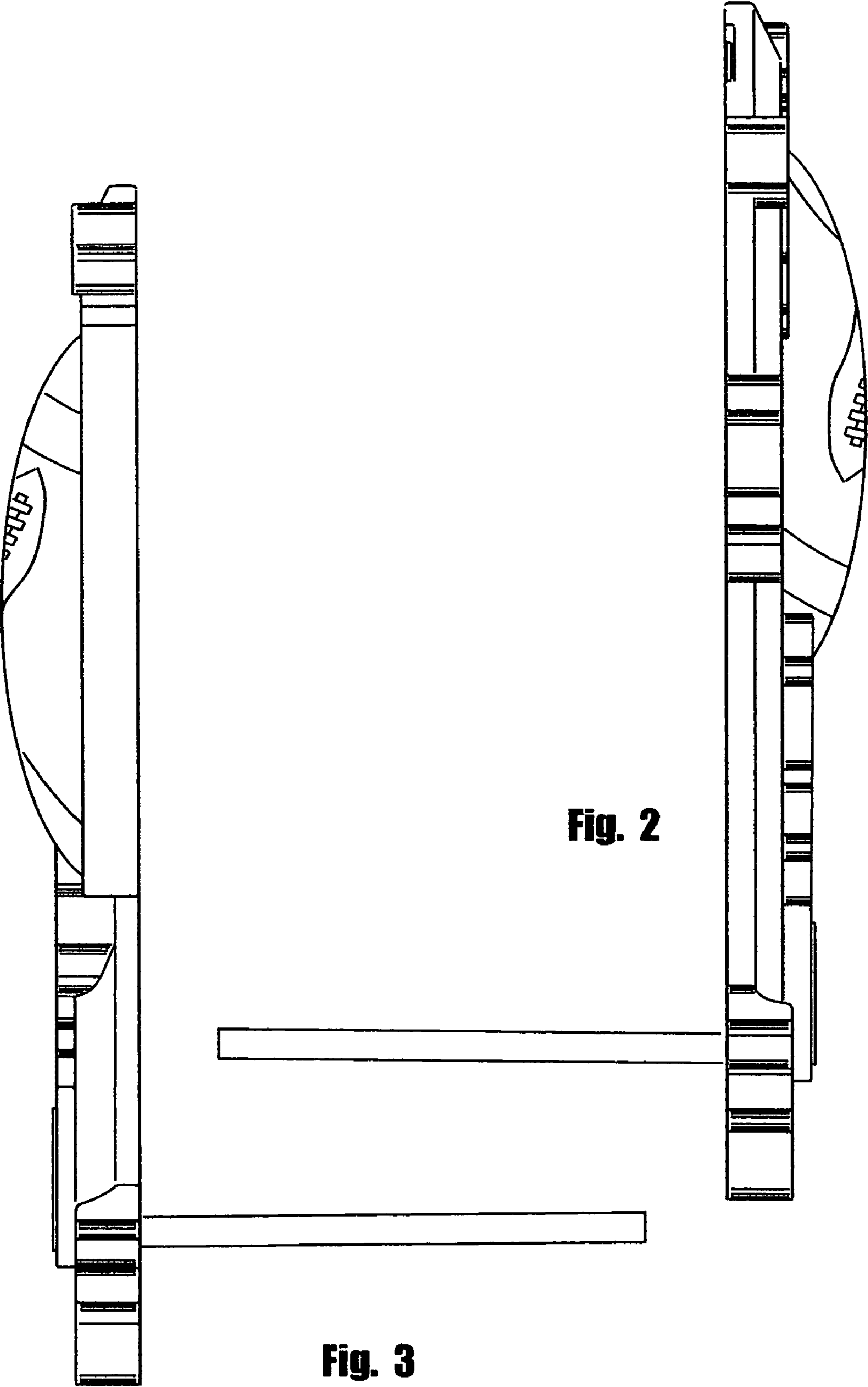
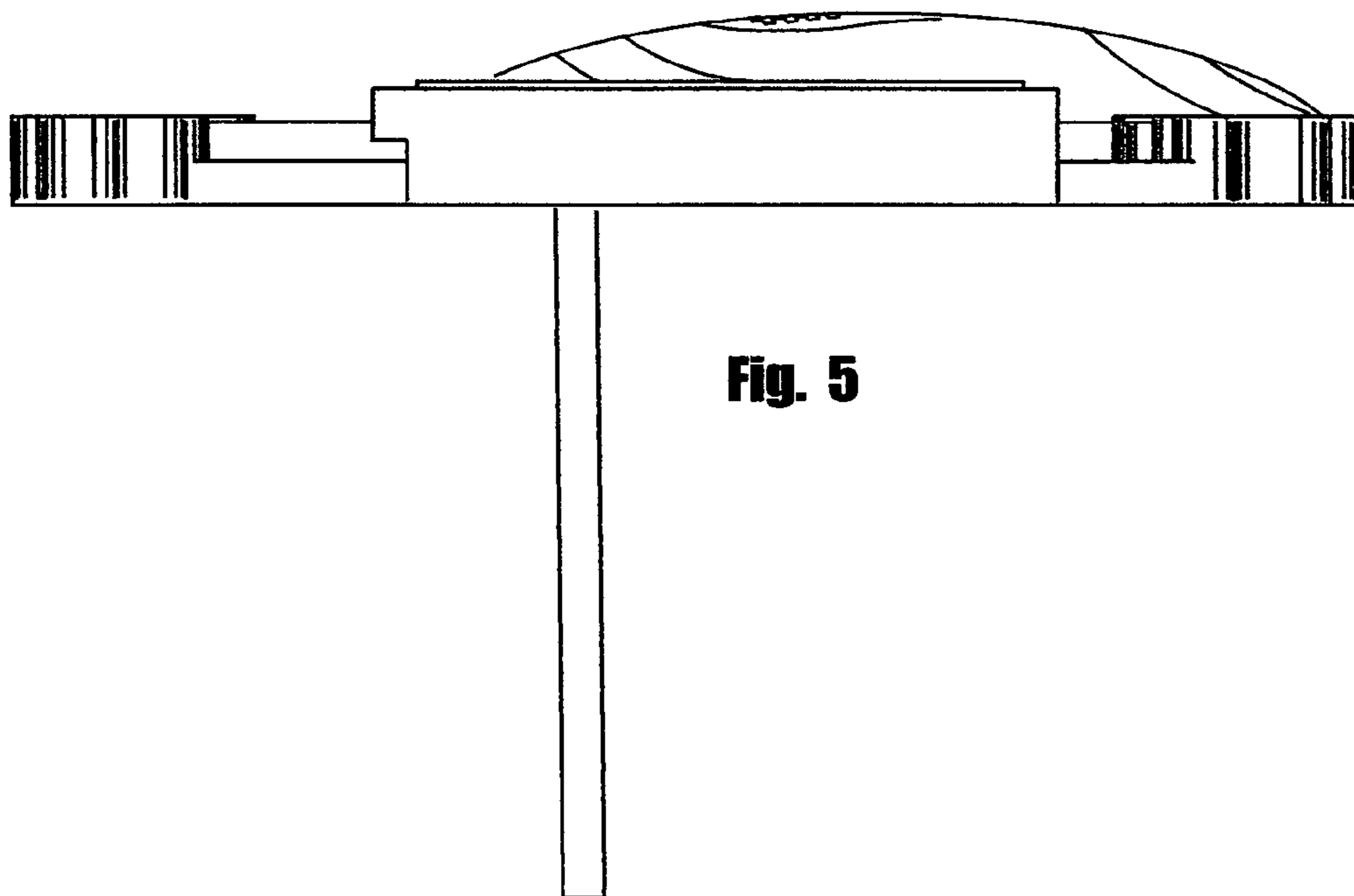
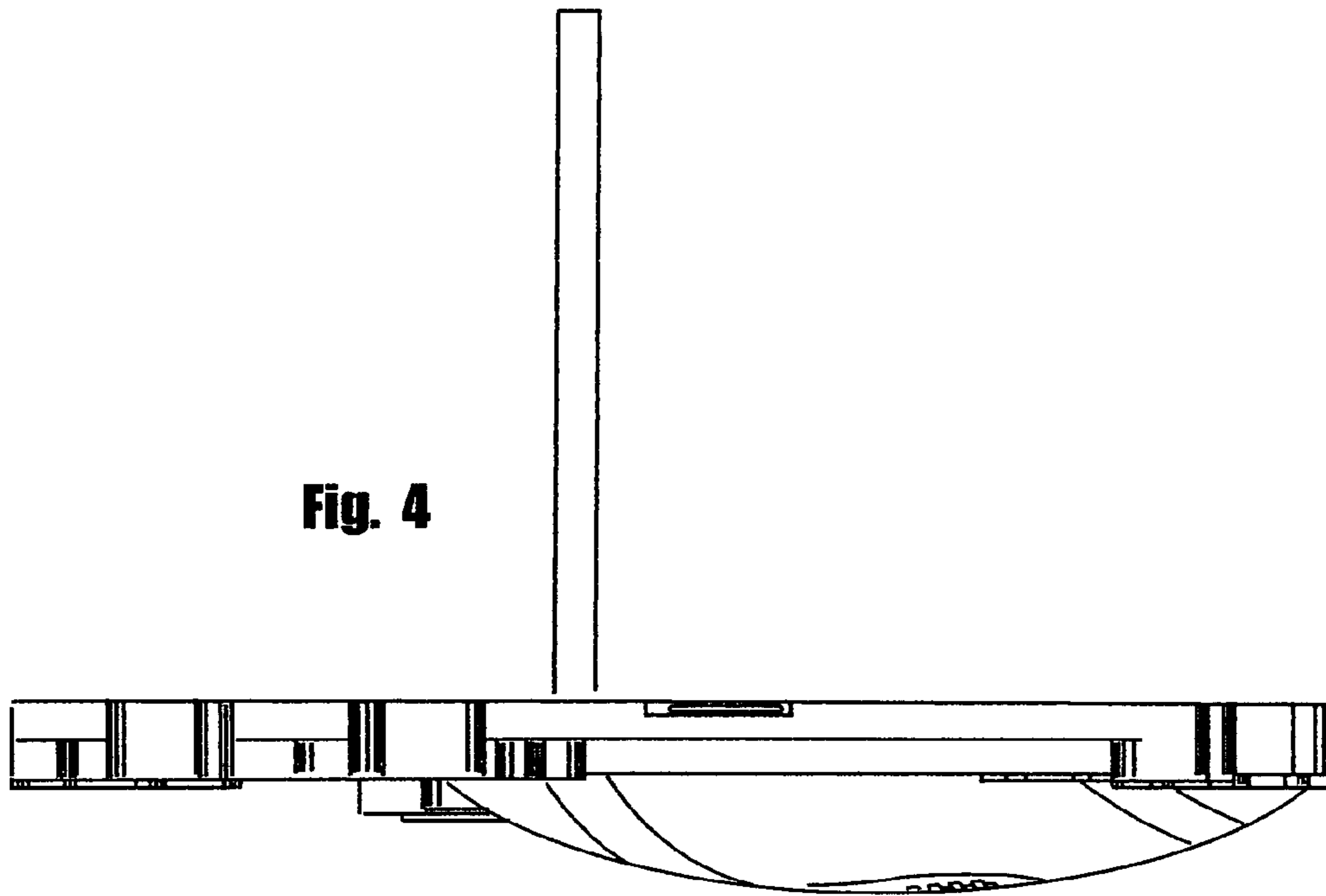


Fig. 2

Fig. 3



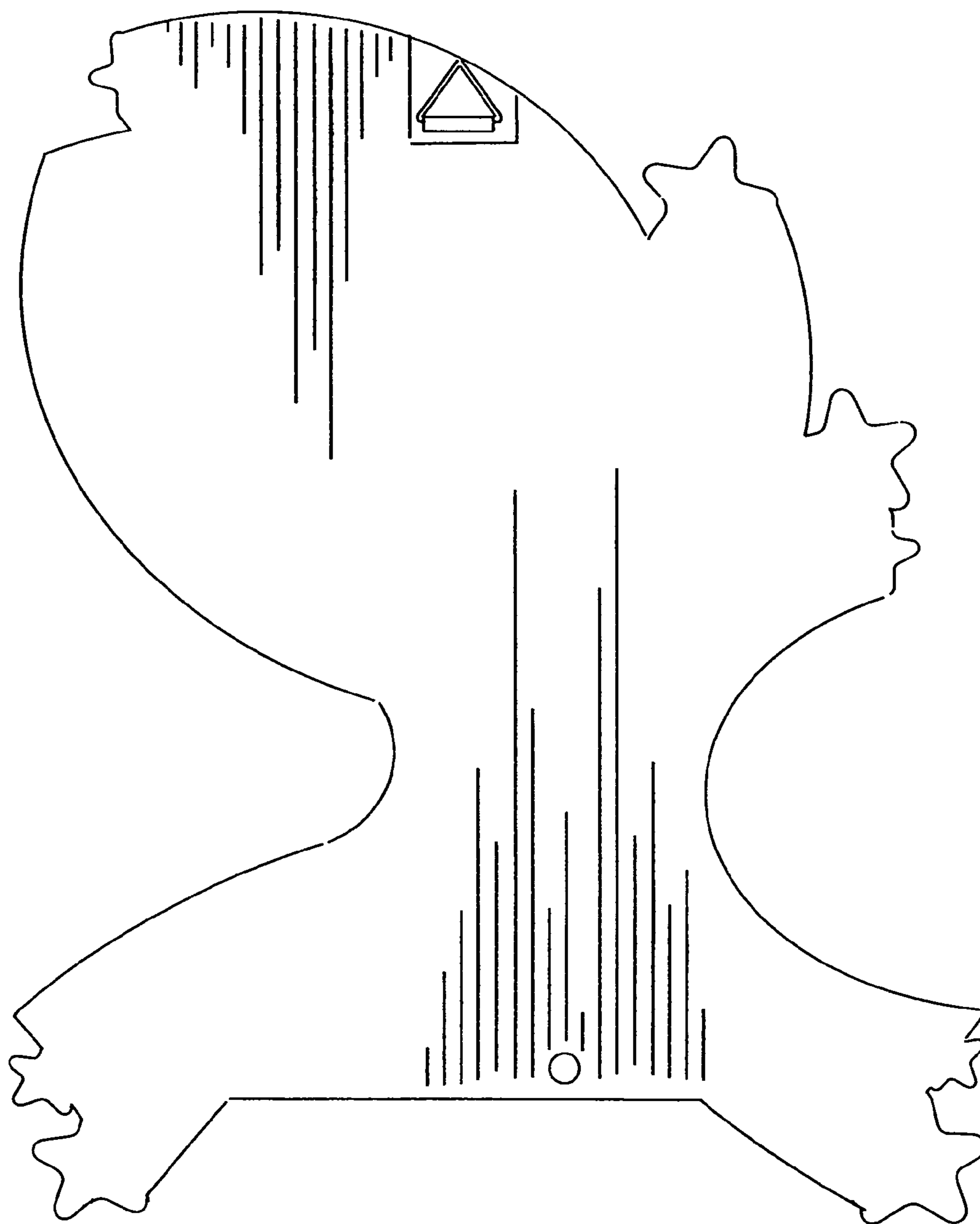


Fig. 6