



US00D584651S

(12) **United States Design Patent**
Schweiger

(10) **Patent No.:** **US D584,651 S**
(45) **Date of Patent:** **** Jan. 13, 2009**

(54) **GEMSTONE OR ORNAMENTAL OBJECT
MADE OF GLASS**

(75) Inventor: **Christoph Schweiger, Wörgl (AT)**

(73) Assignee: **Swarovski Aktiengesellschaft, Triesen (LI)**

(**) Term: **14 Years**

(21) Appl. No.: **29/300,774**

(22) Filed: **May 8, 2008**

(51) **LOC (9) Cl.** **11-01**

(52) **U.S. Cl.** **D11/89**

(58) **Field of Classification Search** D11/1-2,
D11/26-29, 89-92; 63/26-28, 32
See application file for complete search history.

(56) **References Cited**

U.S. PATENT DOCUMENTS

D81,376 S *	6/1930	Dinhofer	D11/90
D487,412 S *	3/2004	Virani	D11/90
D560,540 S *	1/2008	Tabertshofer	D11/90
D562,180 S *	2/2008	Siebenberg	D11/90

* cited by examiner

Primary Examiner—R. Seifert
(74) *Attorney, Agent, or Firm*—Wenderoth, Lind & Ponack, L.L.P.

(57) **CLAIM**

The ornamental design for the gemstone or ornamental object made of glass, as shown and described.

DESCRIPTION

FIG. 1 is a bottom view of the gemstone or ornamental object made of glass according to a first embodiment;

FIG. 2 is a top view of the gemstone or ornamental object made of glass according to the first embodiment;

FIG. 3 is a front view of the gemstone or ornamental object made of glass according to the first embodiment;

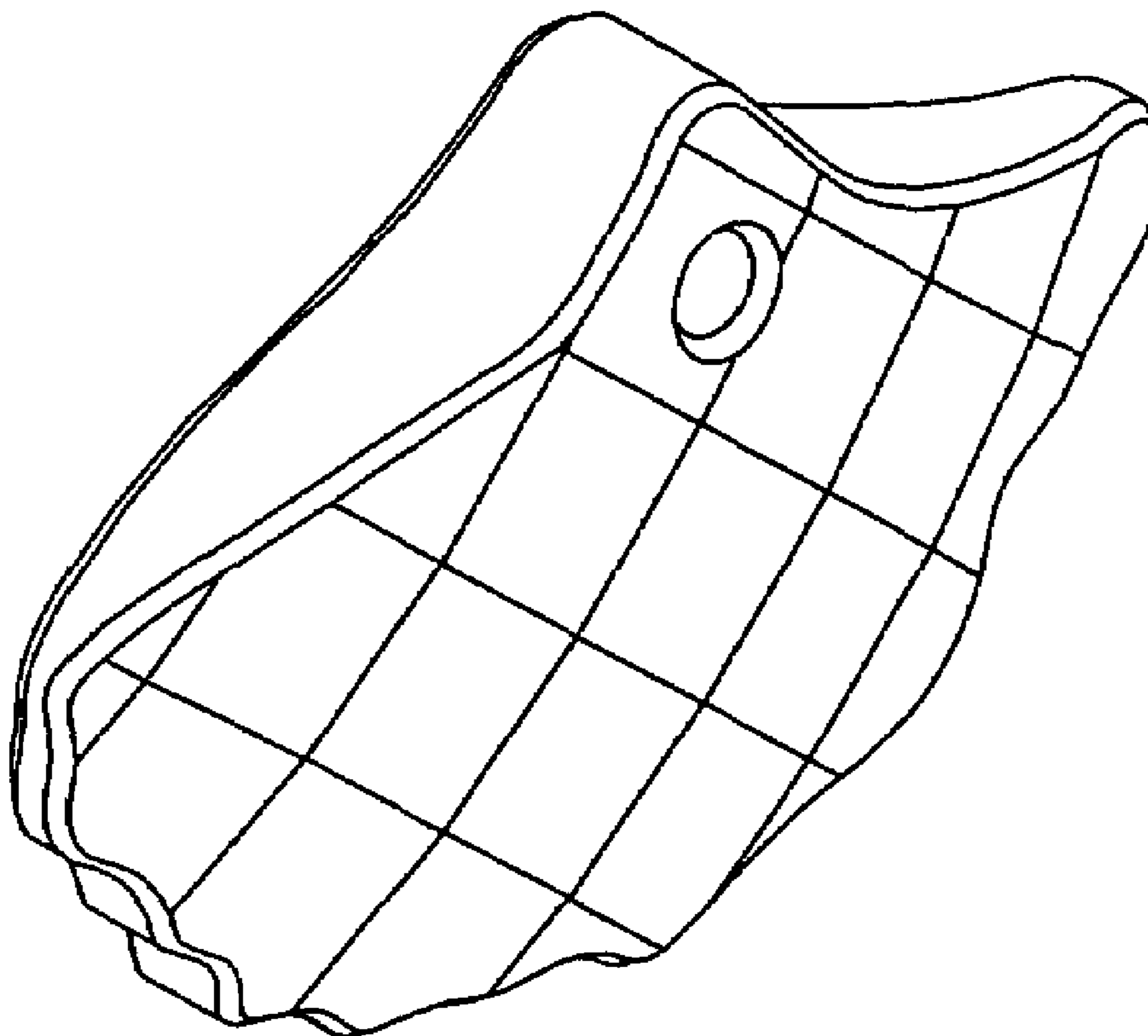
FIG. 4 is a rear view of the gemstone or ornamental object made of glass according to the first embodiment;

FIG. 5 is a right end view of the gemstone or ornamental object made of glass according to the first embodiment;

FIG. 6 is a left end view of the gemstone or ornamental object made of glass according to the first embodiment; and,

FIG. 7 is a prospective view of the gemstone or ornamental object made of glass according to a first embodiment.

1 Claim, 1 Drawing Sheet



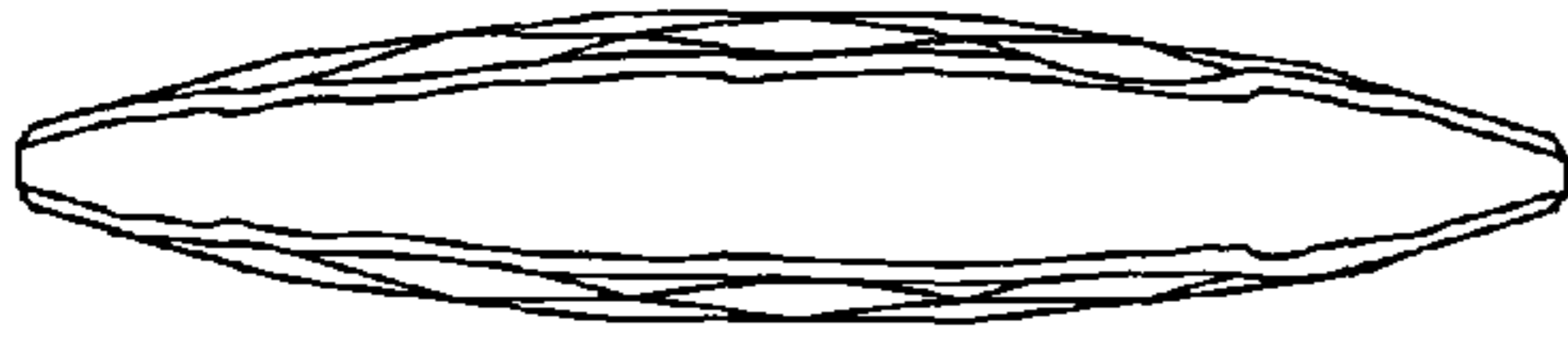


Fig. 1

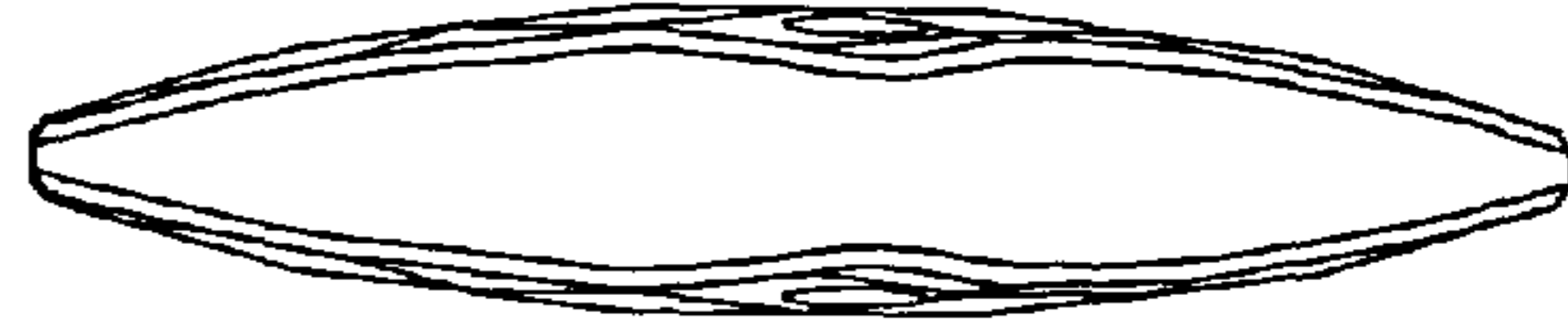


fig. 2

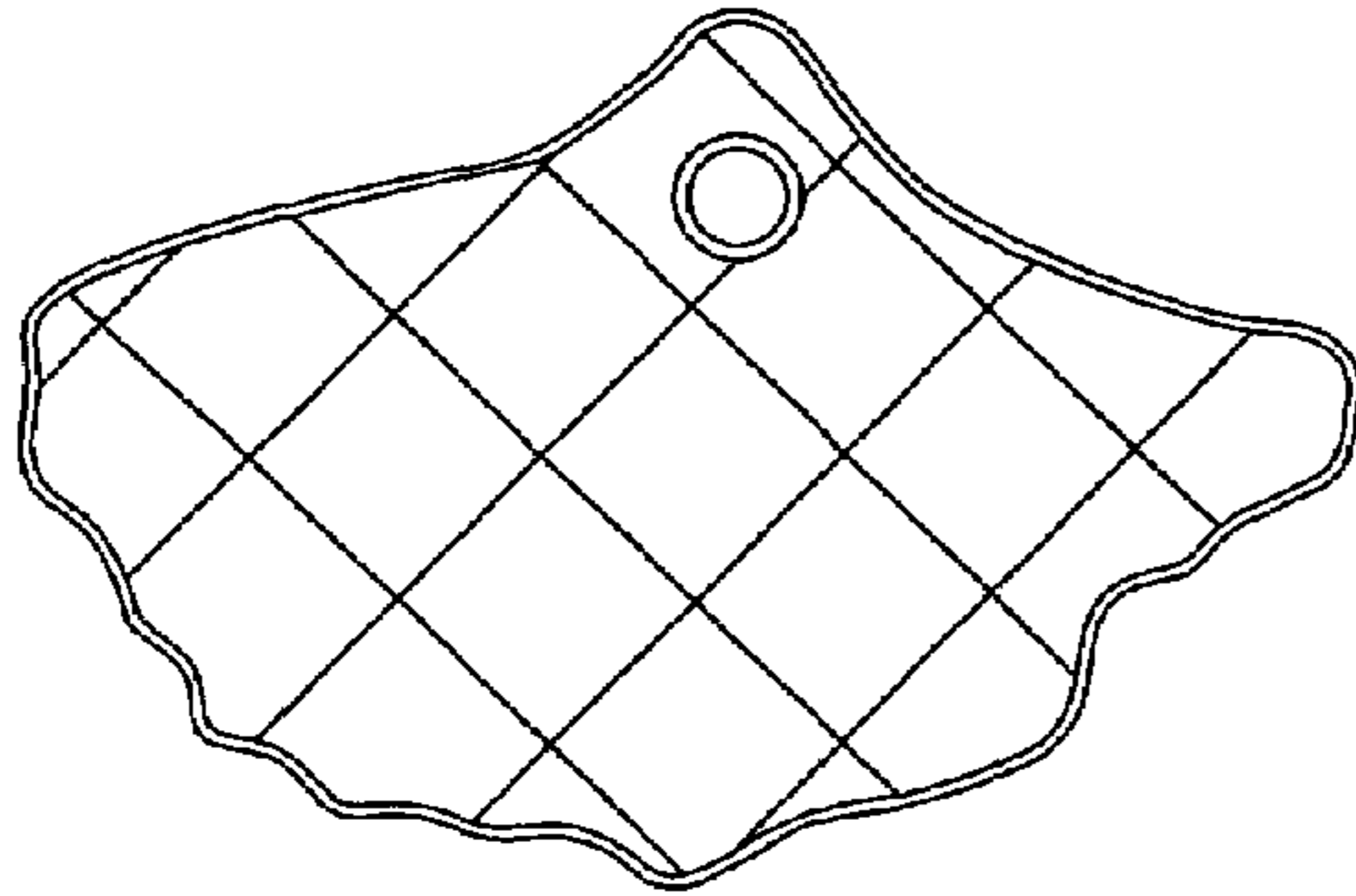


Fig. 3

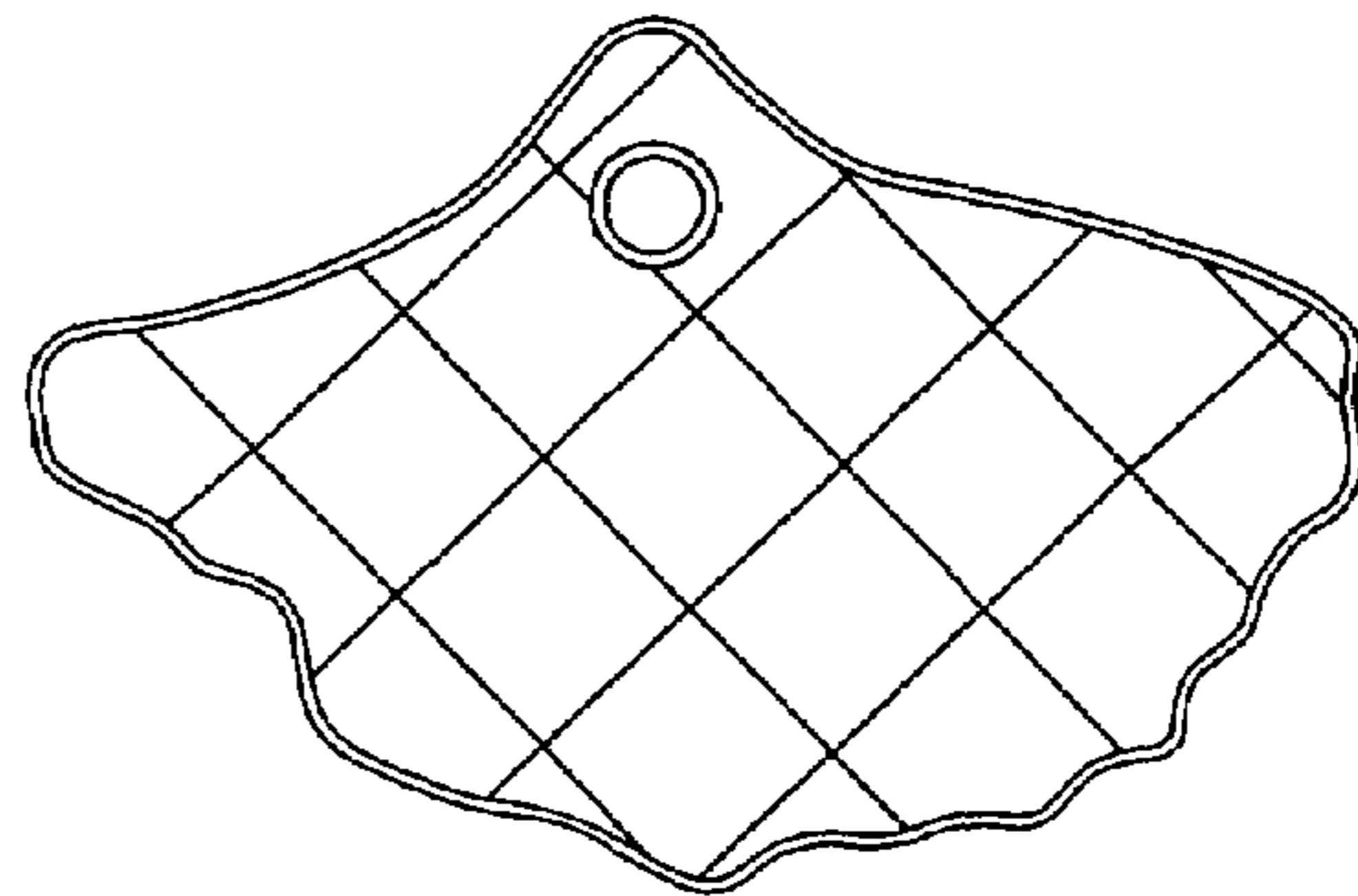


Fig. 4

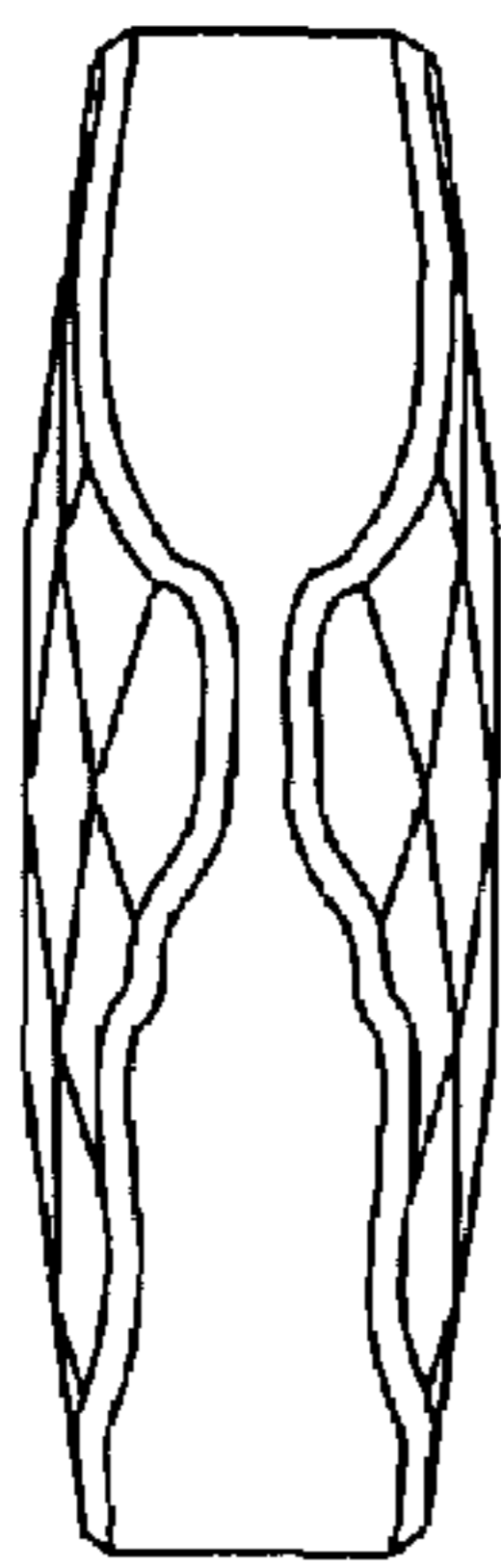


Fig. 5

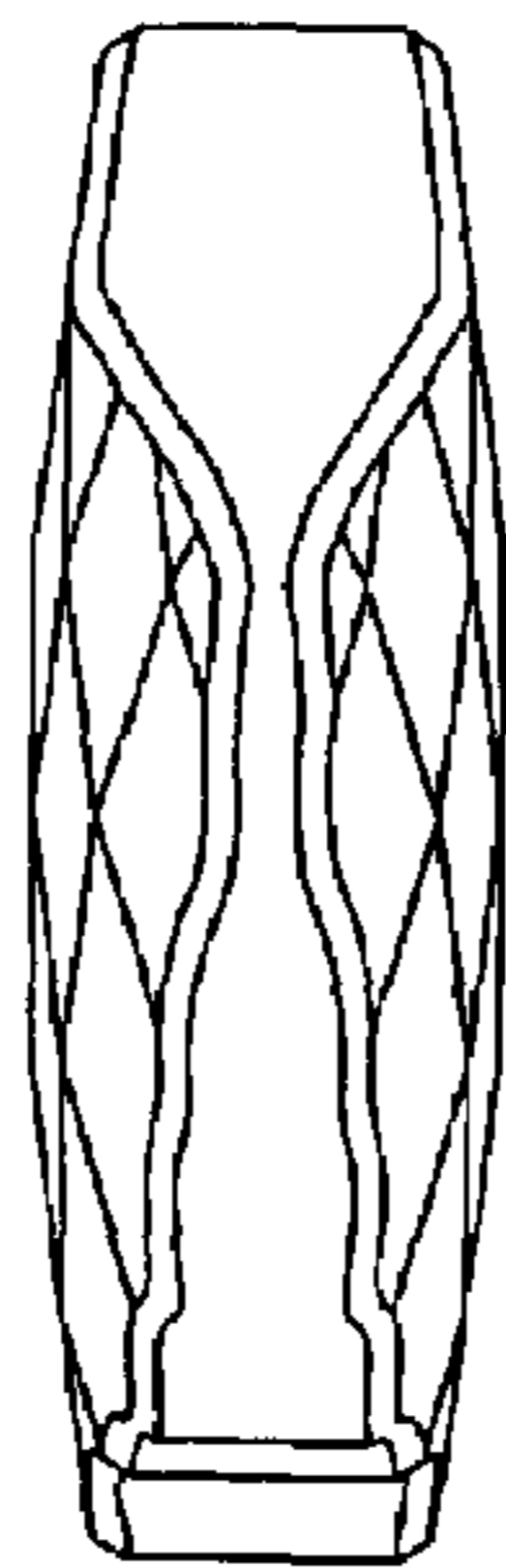


Fig. 6

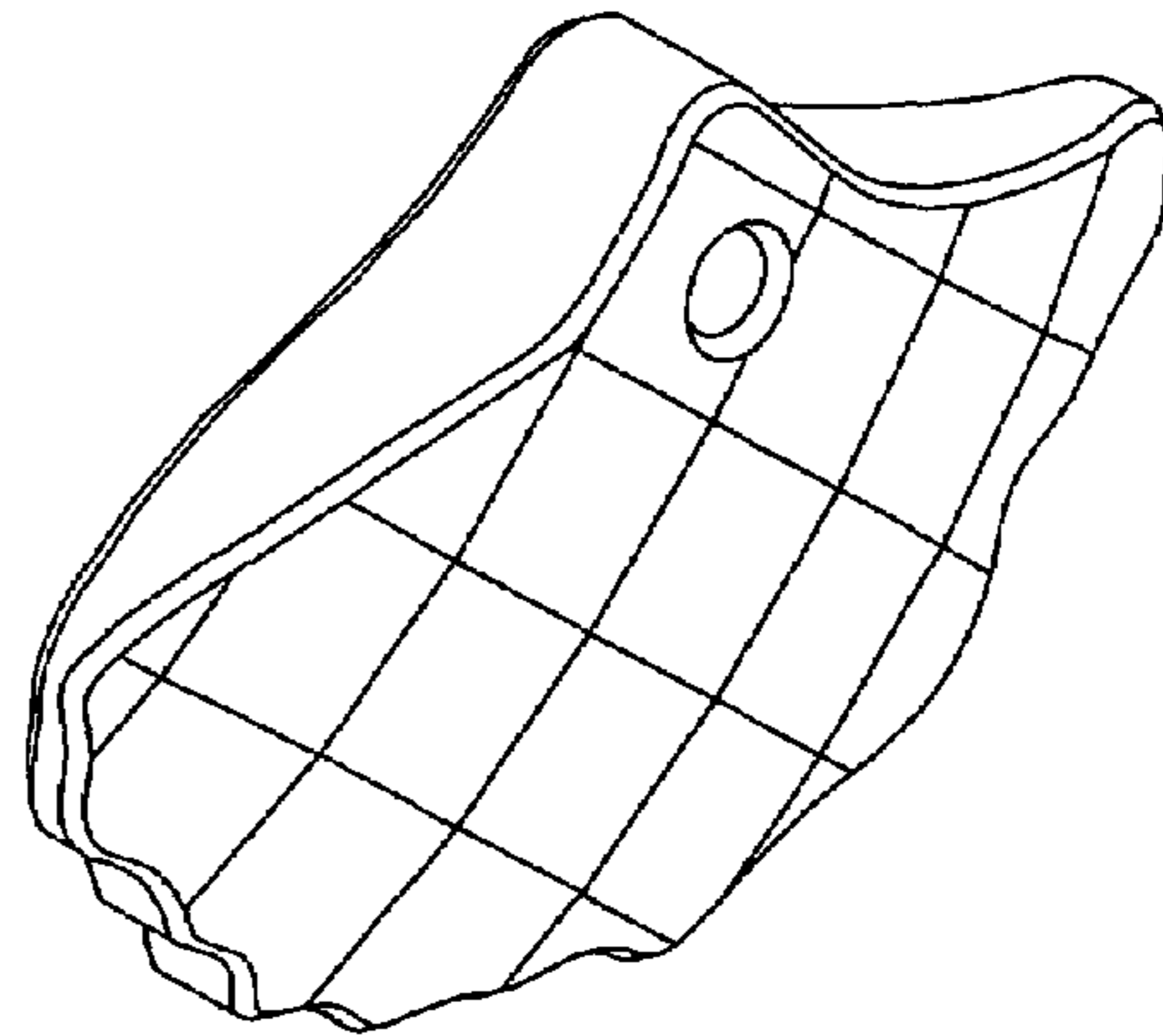


Fig. 7