



US00D584650S

(12) **United States Design Patent**
Morency, Jr.

(10) **Patent No.:** **US D584,650 S**
(45) **Date of Patent:** **** Jan. 13, 2009**

(54) **AUTOMOTIVE VENT REPLACEMENT FOR GAUGE DISPLAY**

(75) Inventor: **James Patrick Morency, Jr.**, Fraser, MI (US)

(73) Assignee: **James P. Morency, Jr.**, Fraser, MI (US)

(**) Term: **14 Years**

(21) Appl. No.: **29/294,380**

(22) Filed: **Jan. 9, 2008**

(51) **LOC (9) Cl.** **10-04**

(52) **U.S. Cl.** **D10/102; D10/103**

(58) **Field of Classification Search** **D10/102-103; 73/431, 866.3, 866.5, 499; 248/27.1**
See application file for complete search history.

(56) **References Cited**

U.S. PATENT DOCUMENTS

| | | | | | |
|-----------|------|---------|--------------|-------|----------|
| 4,179,933 | A * | 12/1979 | Price | | 73/431 |
| 4,638,666 | A * | 1/1987 | Wong et al. | | 73/431 |
| D455,094 | S * | 4/2002 | Schneider | | D10/103 |
| D459,256 | S * | 6/2002 | Nunes et al. | | D10/85 |
| 6,672,178 | B2 * | 1/2004 | Durnen | | 73/866.5 |

* cited by examiner

Primary Examiner—Antoine D Davis

(57) **CLAIM**

The ornamental design for an automotive vent replacement for gauge display, as shown and described.

DESCRIPTION

FIG. 1 is a top right perspective view of vent replacement for gauge display showing my new design.

FIG. 2 is a front elevational view of the vent replacement for gauge display of FIG. 1.

FIG. 3 is a right side elevational view of the vent replacement for gauge display of FIG. 1.

FIG. 4 is a left side elevational view of the vent replacement for gauge display of FIG. 1.

FIG. 5 is a rear elevational view of the vent replacement for gauge display of FIG. 1.

FIG. 6 is a top plan view of the vent replacement for gauge display of FIG. 1.

FIG. 7 is a bottom view of the vent replacement for gauge display of FIG. 1.

FIG. 8 is a right side cross-sectional view of the vent replacement for gauge display of FIG. 2; and,

FIG. 9 is a top plan cross-sectional view of the vent replacement for gauge display of FIG. 2.

1 Claim, 9 Drawing Sheets

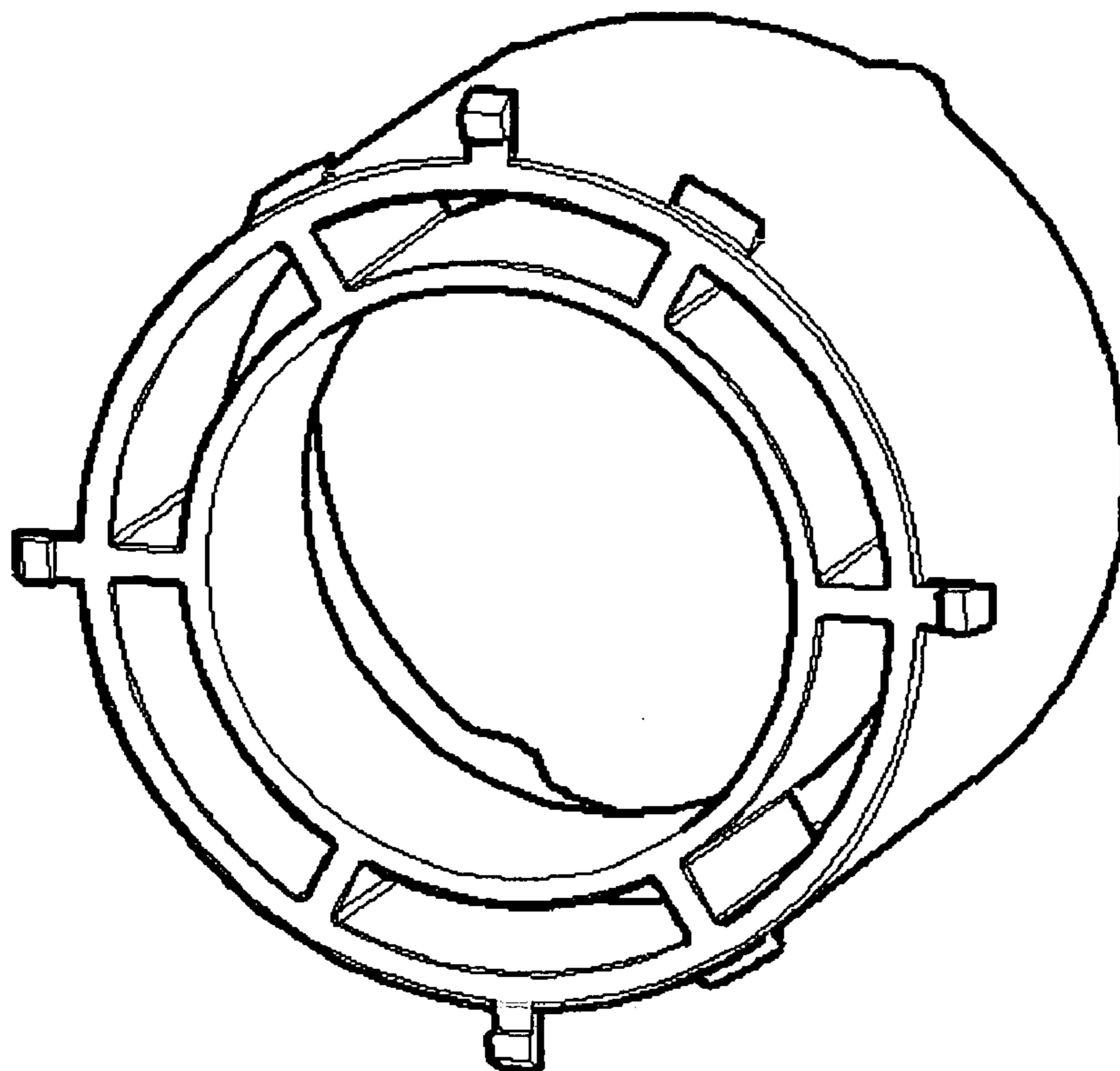


FIG. 1

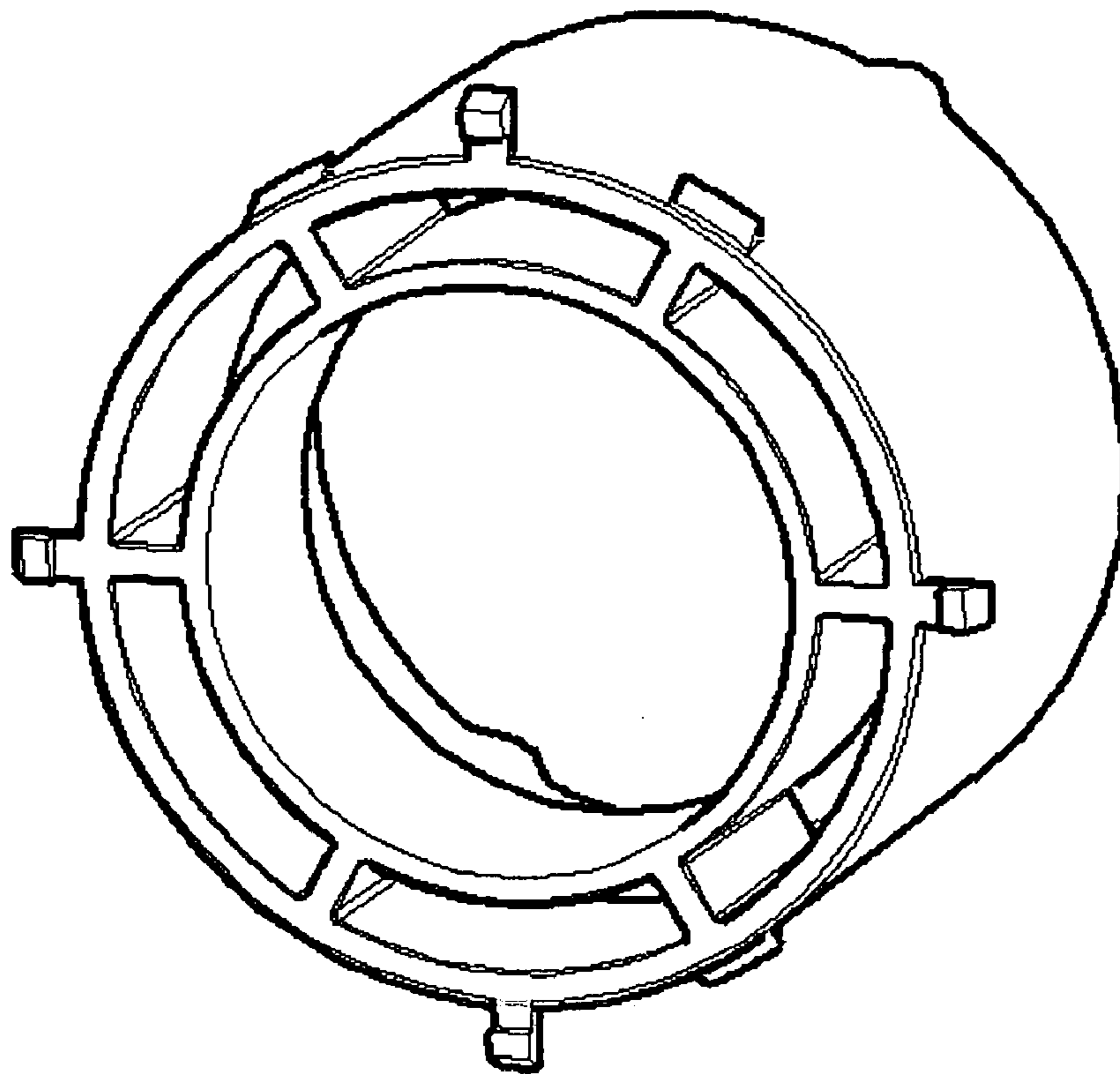


FIG. 2

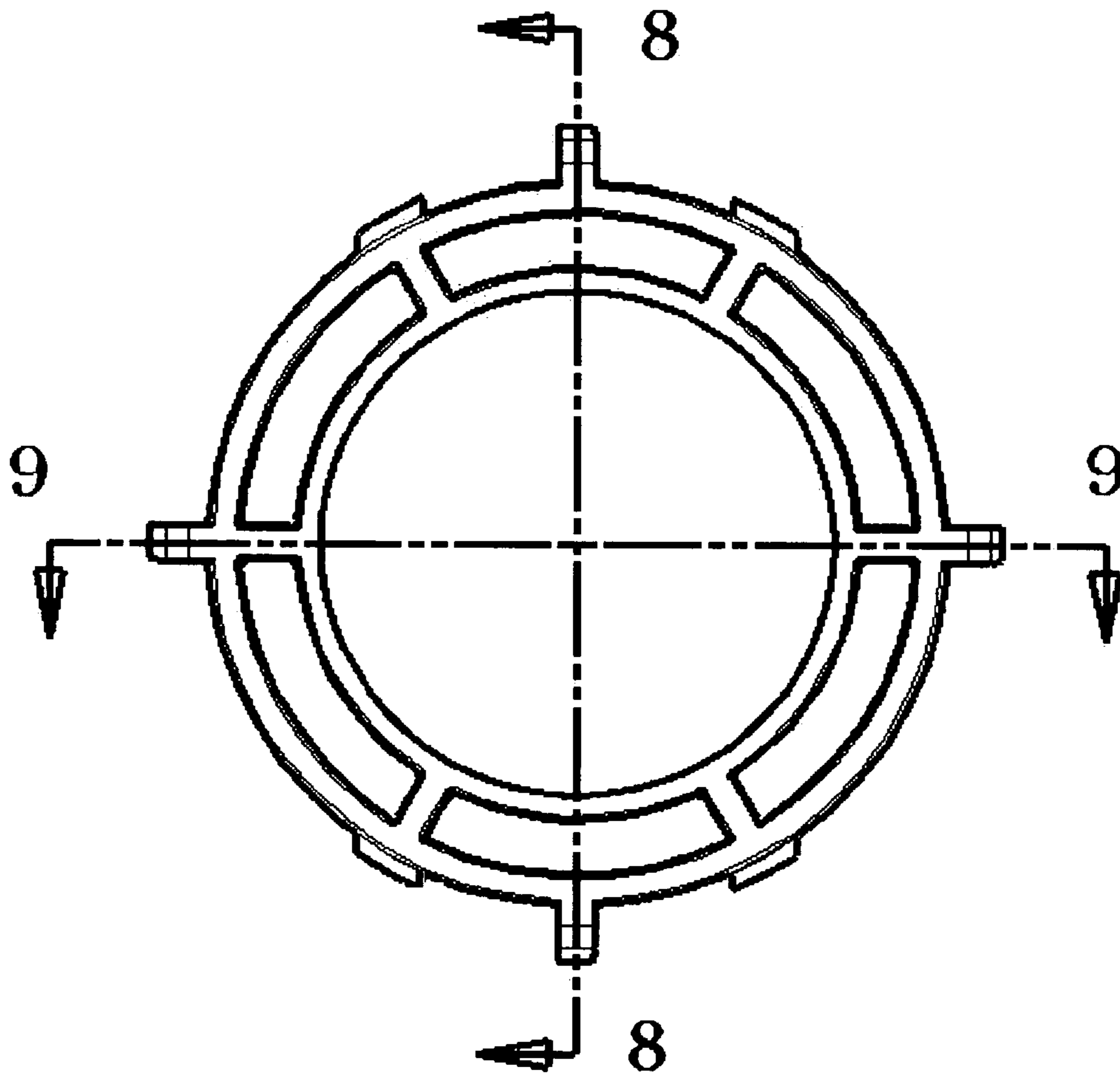


FIG. 3

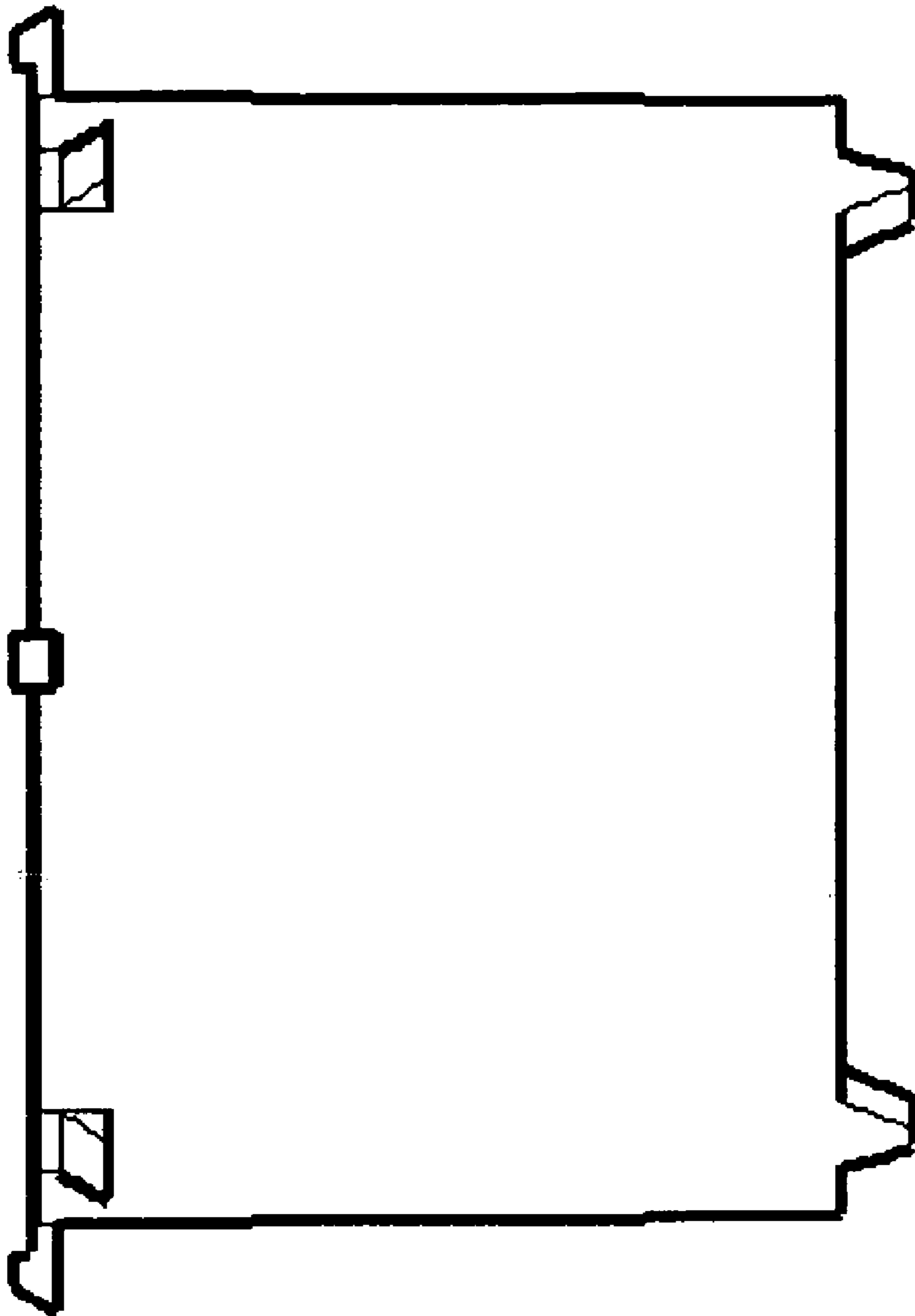


FIG. 4

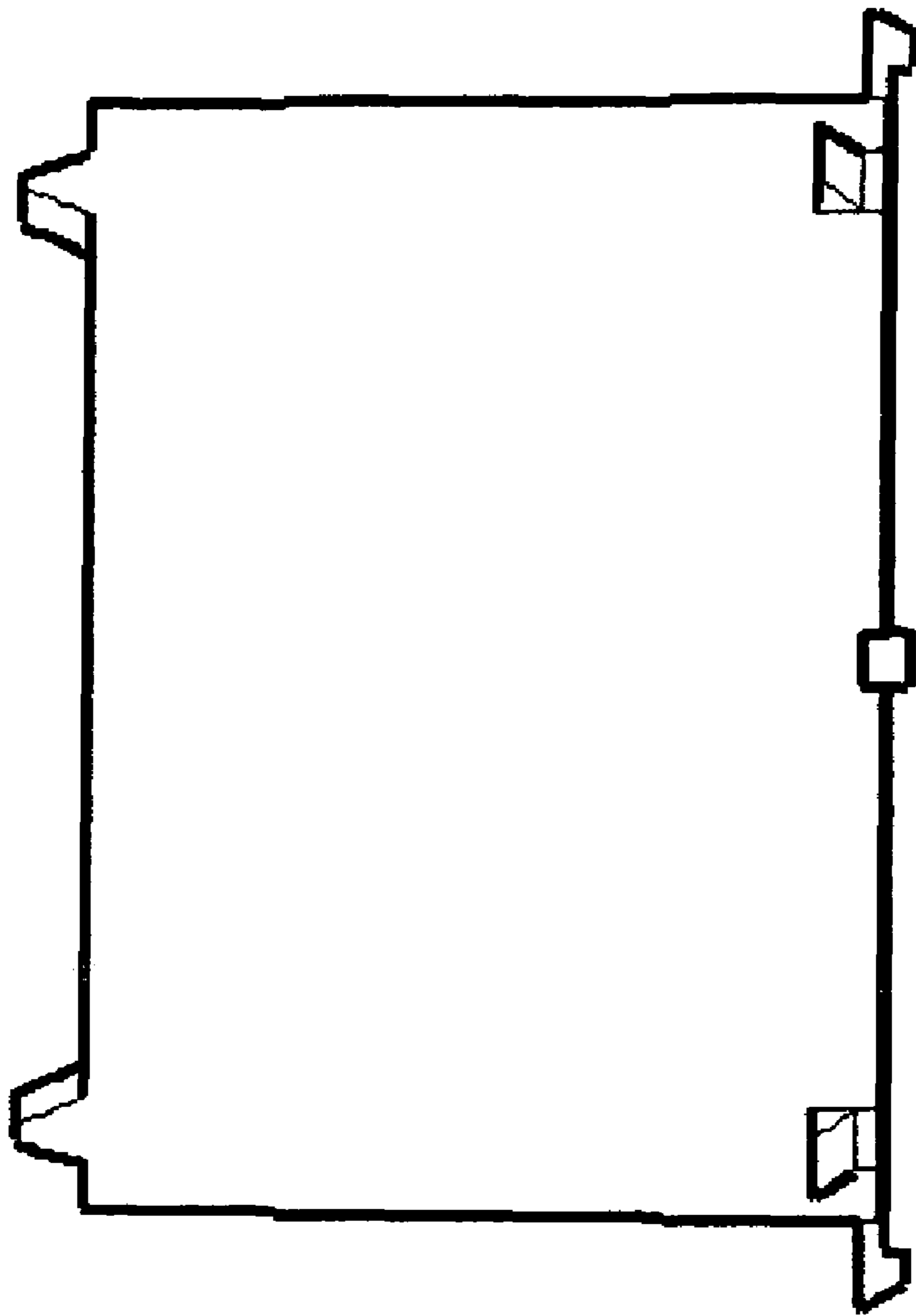


FIG. 5

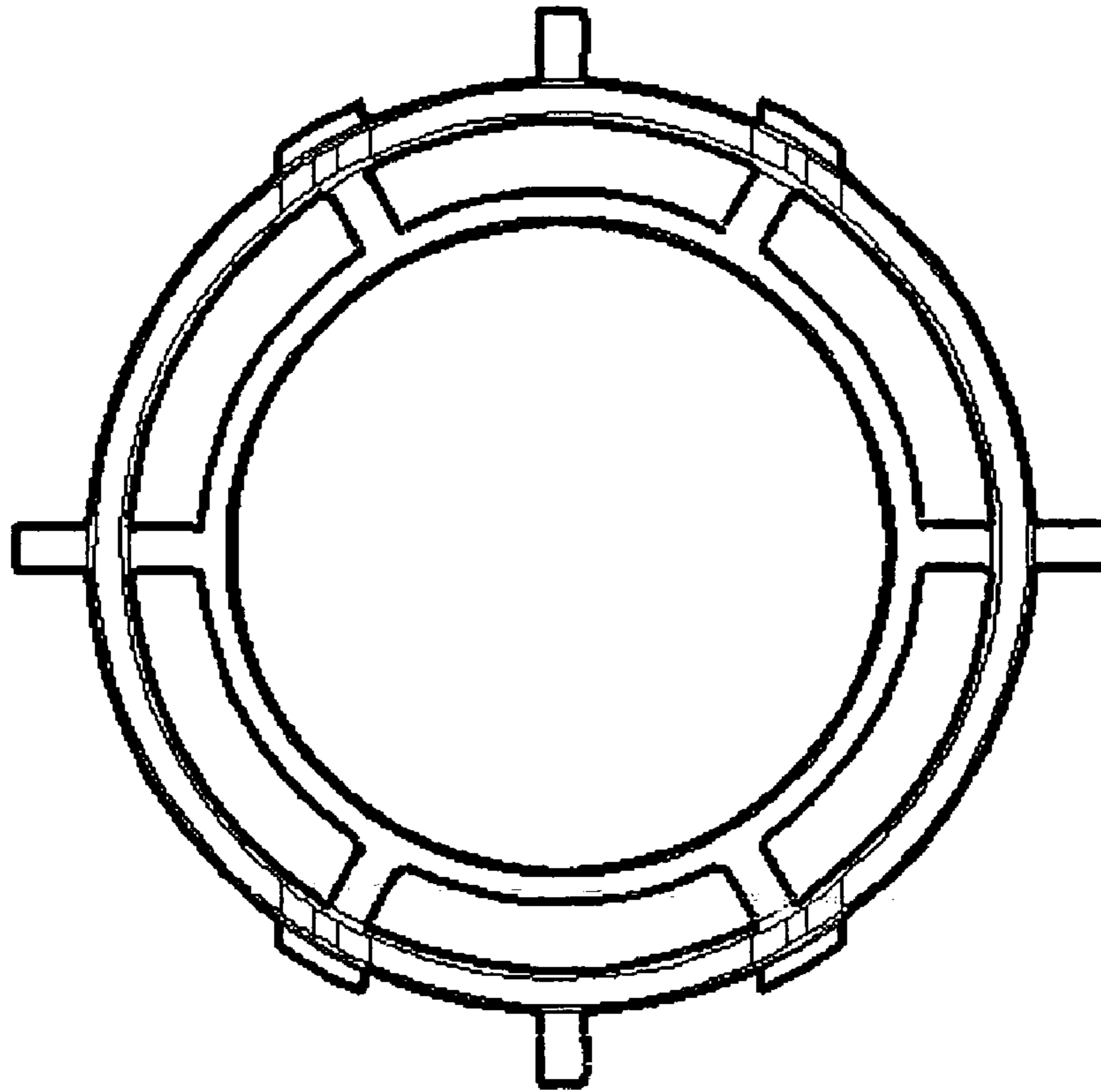


FIG. 6

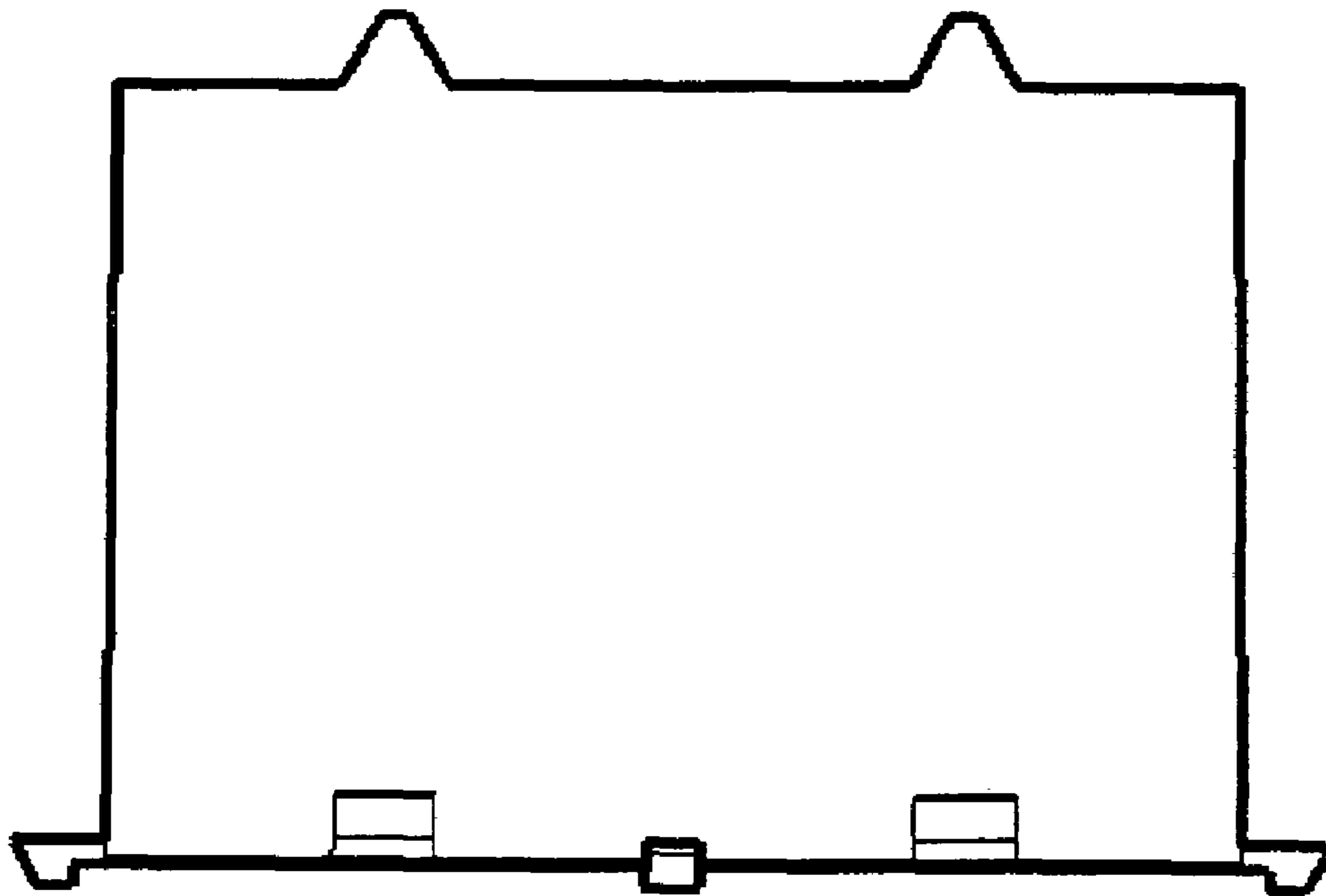


FIG. 7

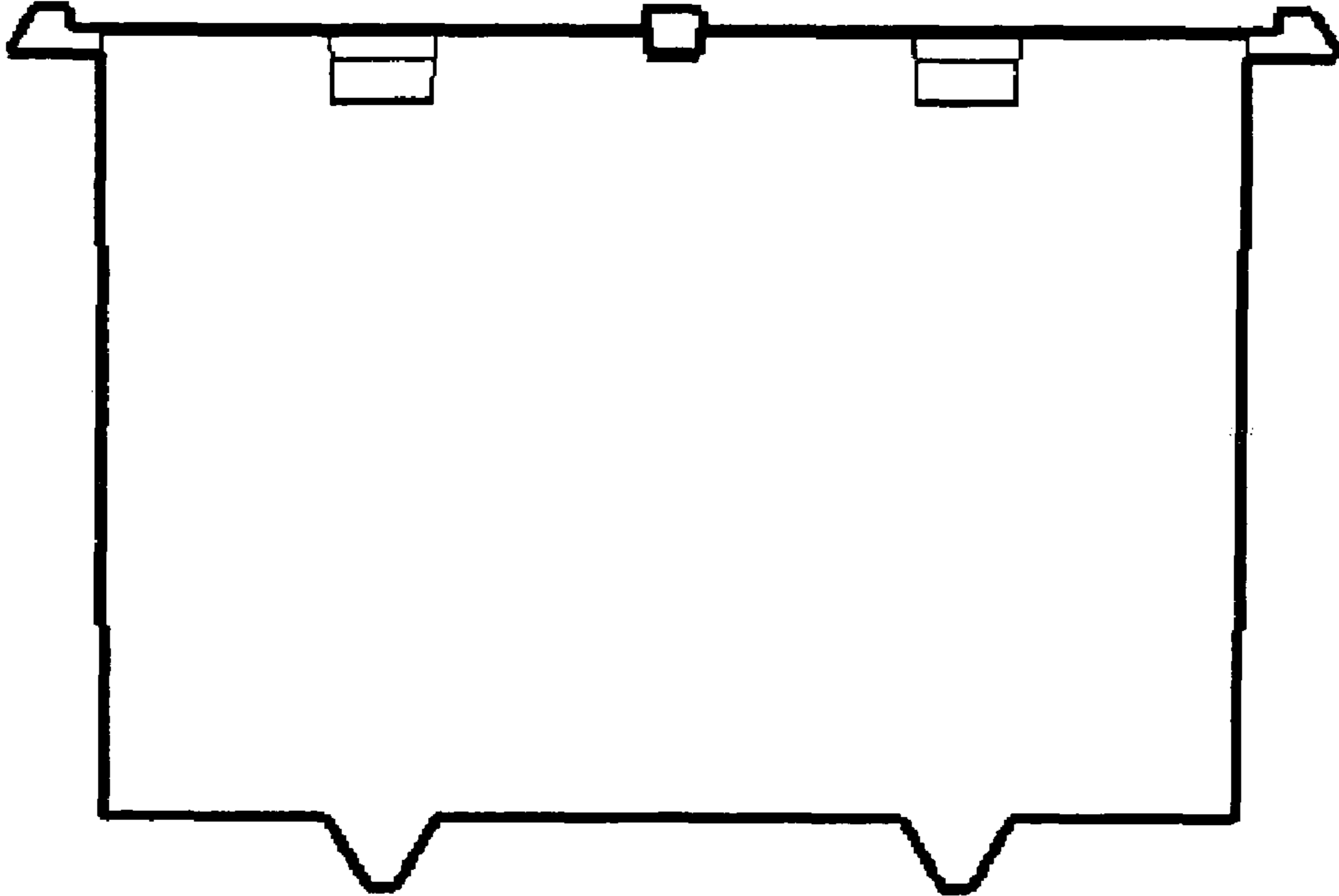
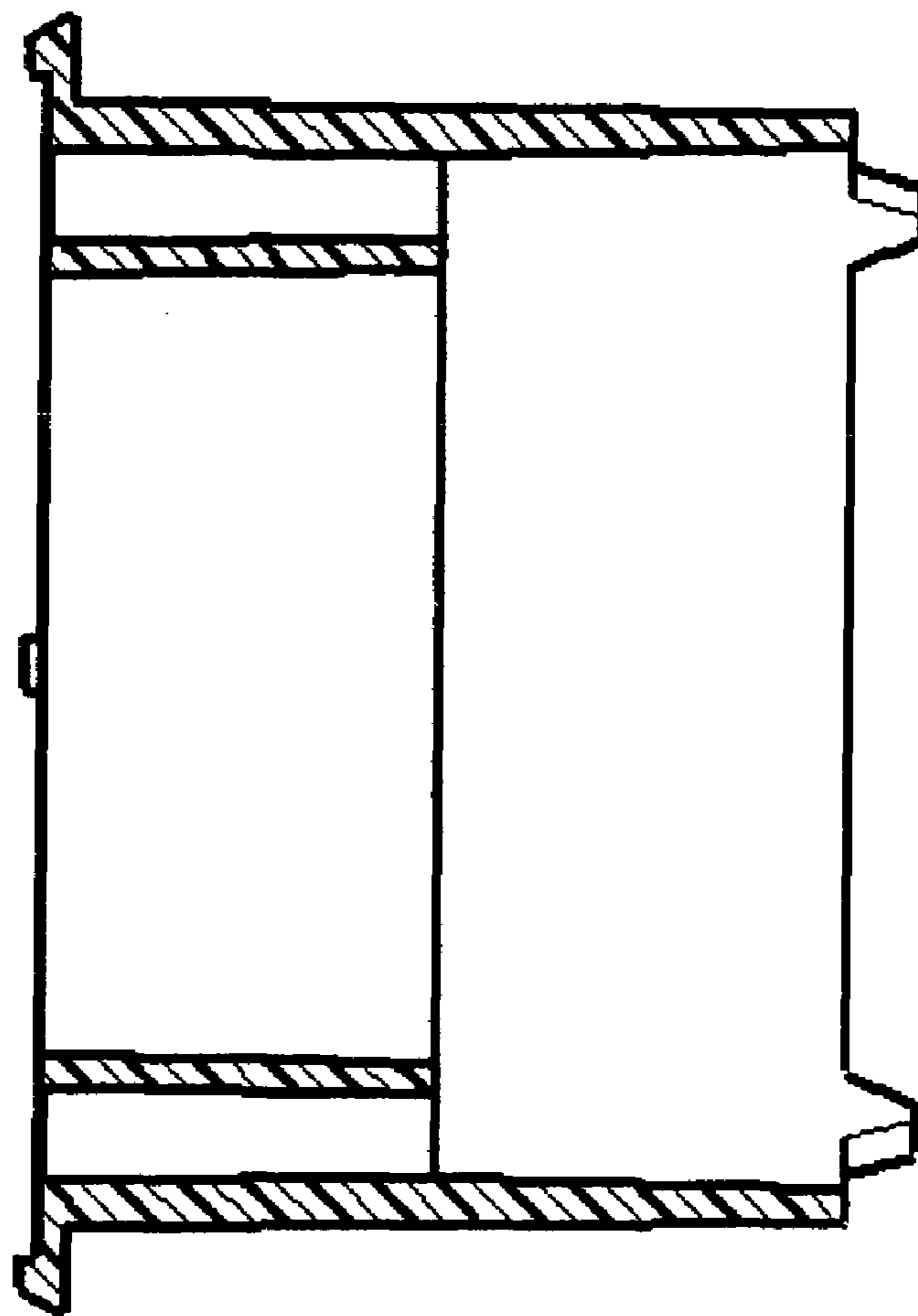
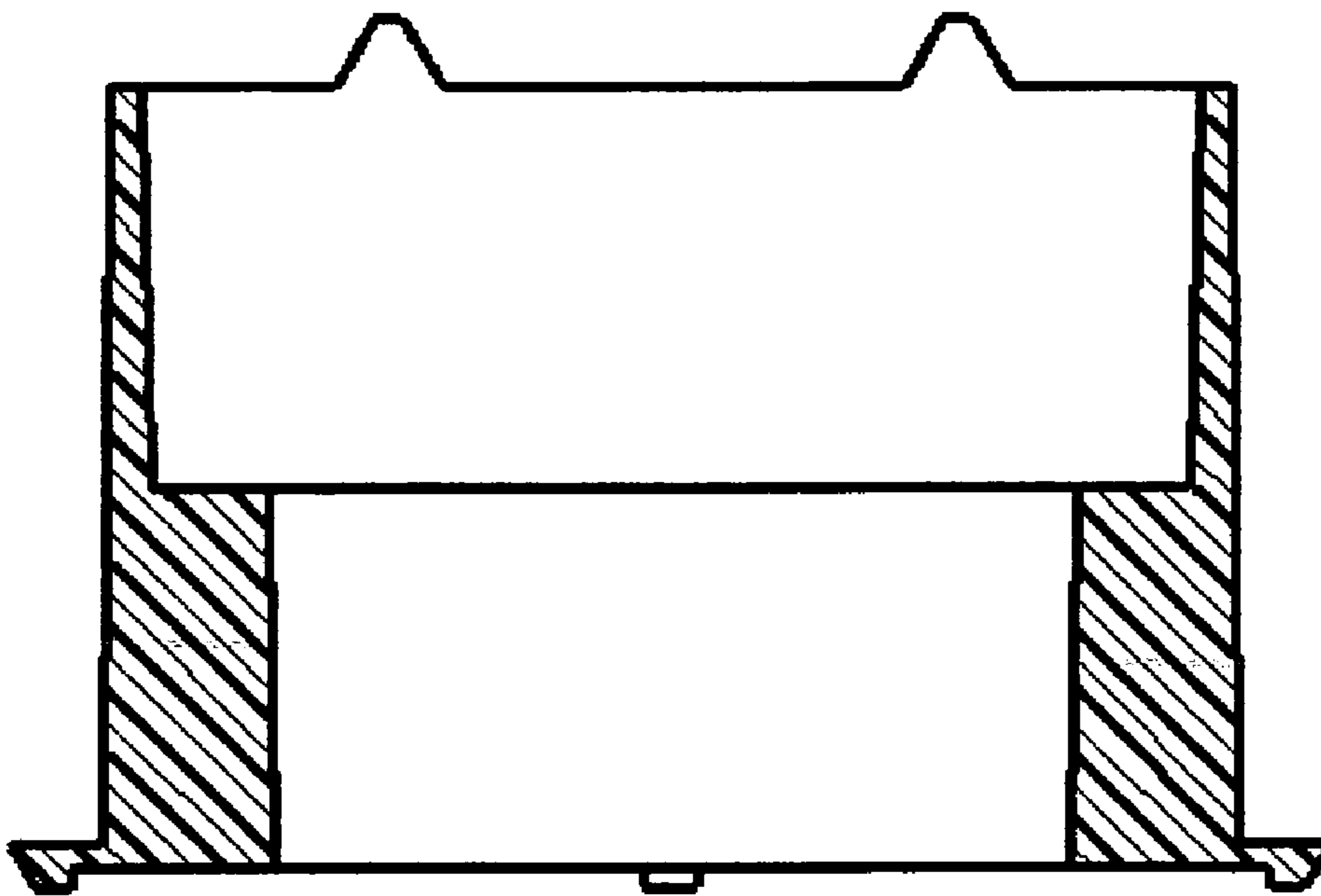


FIG. 8



SECTION A-A

FIG. 9



SECTION B-B