



US00D584647S

(12) **United States Design Patent**
Garcia et al.

(10) **Patent No.:** **US D584,647 S**
(45) **Date of Patent:** **** Jan. 13, 2009**

(54) **TAPE MEASURING DEVICE**

D578,910 S * 10/2008 Deguglimo et al. D10/72
7,444,758 B1 * 11/2008 Lin 33/767

(75) Inventors: **Michael Garcia**, Oakland Park, FL
(US); **Glenn Robinson**, Coral Springs,
FL (US); **Joseph Deguglimo**, Boca
Raton, FL (US)

* cited by examiner

Primary Examiner—Antoine D Davis
(74) *Attorney, Agent, or Firm*—Dan M. De La Rosa

(73) Assignee: **Iron Bridge Tools Holding, LLC**,
Deerfield Beach, FL (US)

(57) **CLAIM**

(**) Term: **14 Years**

The ornamental design for a tape measuring device, as shown
and described.

(21) Appl. No.: **29/308,926**

DESCRIPTION

(22) Filed: **Jul. 17, 2008**

(51) **LOC (9) Cl.** **10-04**

FIG. 1 is a front perspective view of the tape measuring device
of the present invention showing my new design;

(52) **U.S. Cl.** **D10/72**

FIG. 2 is a right side elevational view thereof;

(58) **Field of Classification Search** D10/72;
33/755-771

FIG. 3 is a left side elevational view thereof;

See application file for complete search history.

FIG. 4 is a top plan view thereof;

FIG. 5 is a bottom plan view thereof;

(56) **References Cited**

U.S. PATENT DOCUMENTS

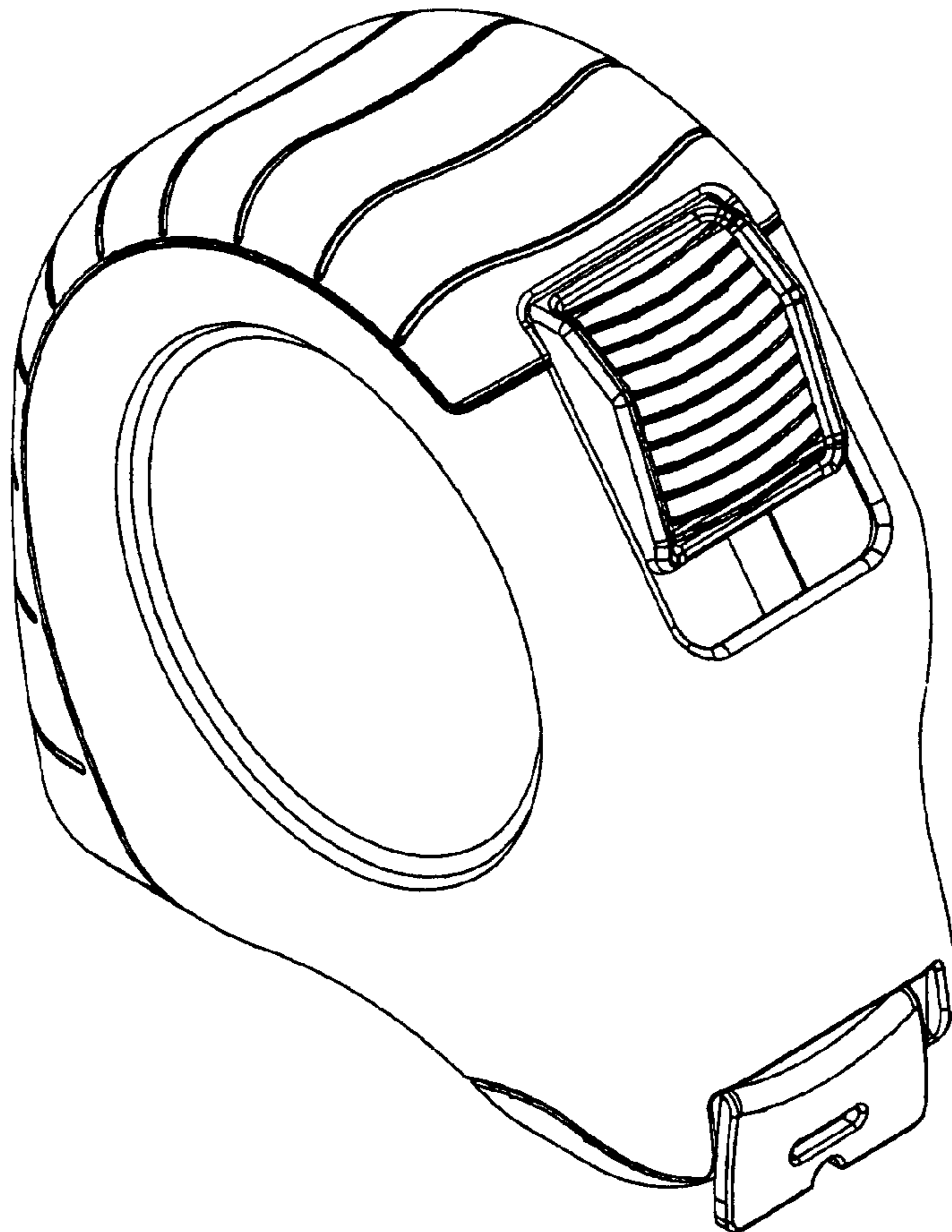
D490,005 S * 5/2004 Hsu D10/72
6,804,899 B2 * 10/2004 Murray 33/755
7,007,401 B1 * 3/2006 Lin 33/769

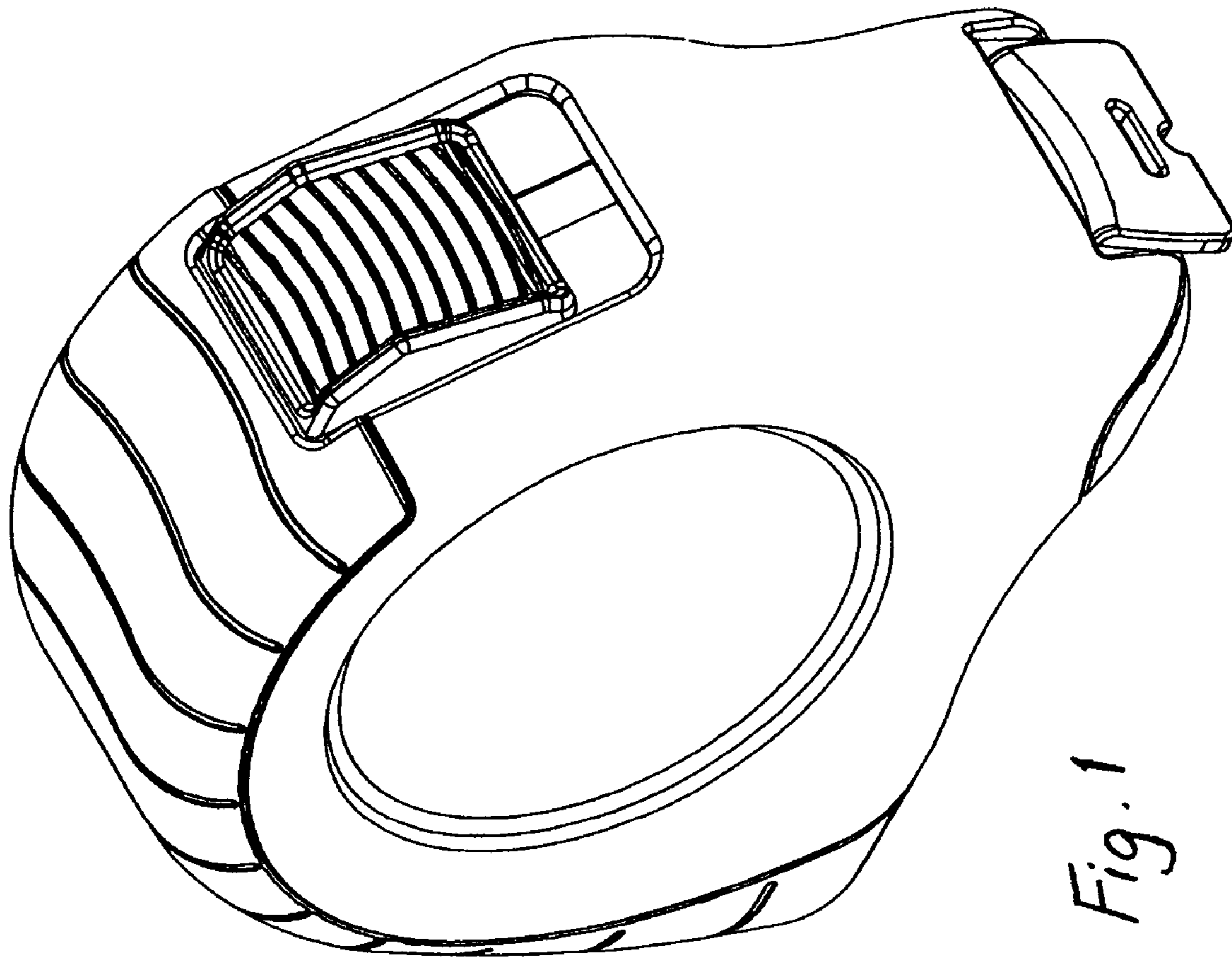
FIG. 6 is a rear elevational view thereof;

FIG. 7 is a front elevational view thereof; and,

FIG. 8 is a rear perspective view of the tape measuring device.

1 Claim, 5 Drawing Sheets





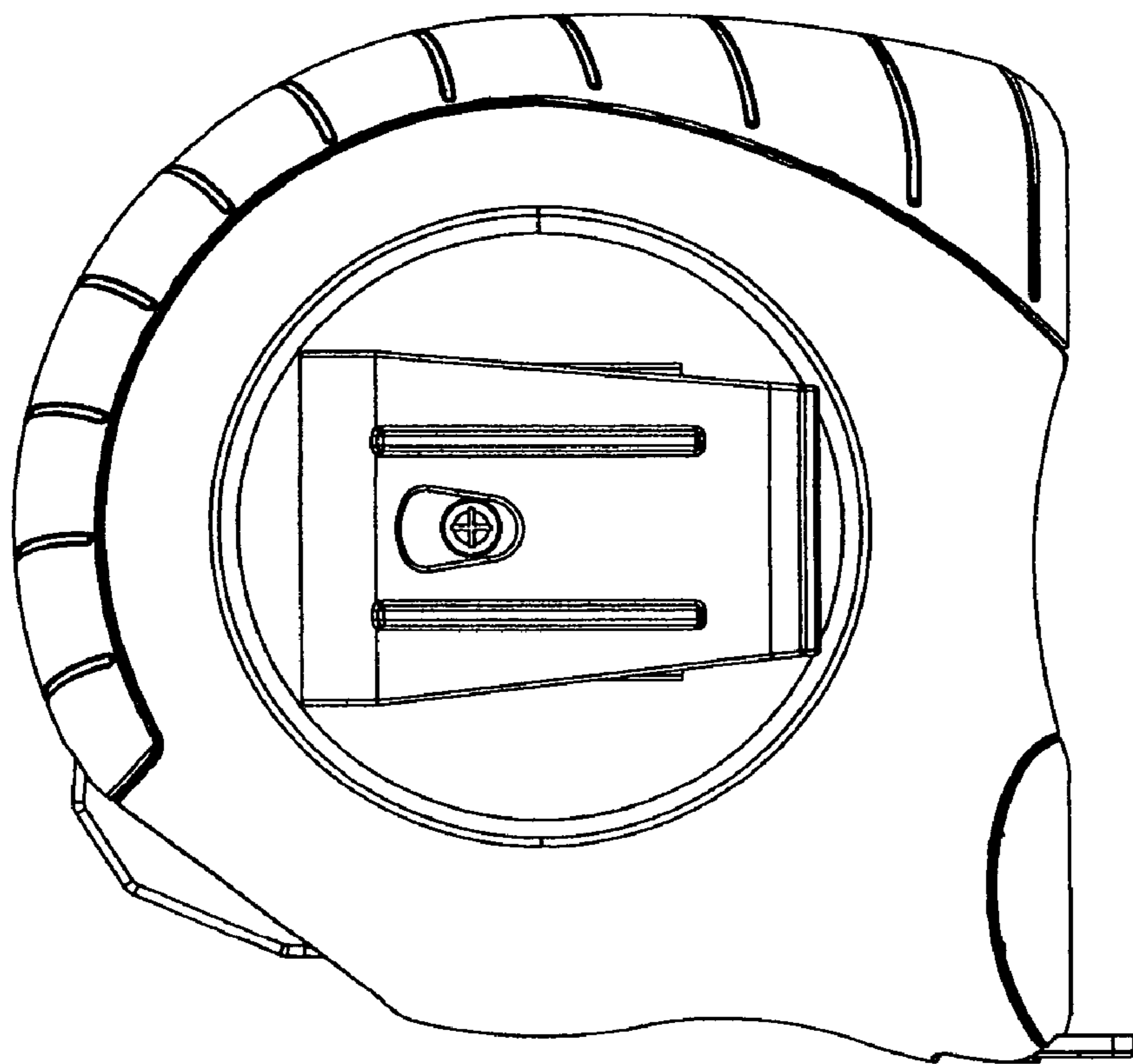


Fig. 3

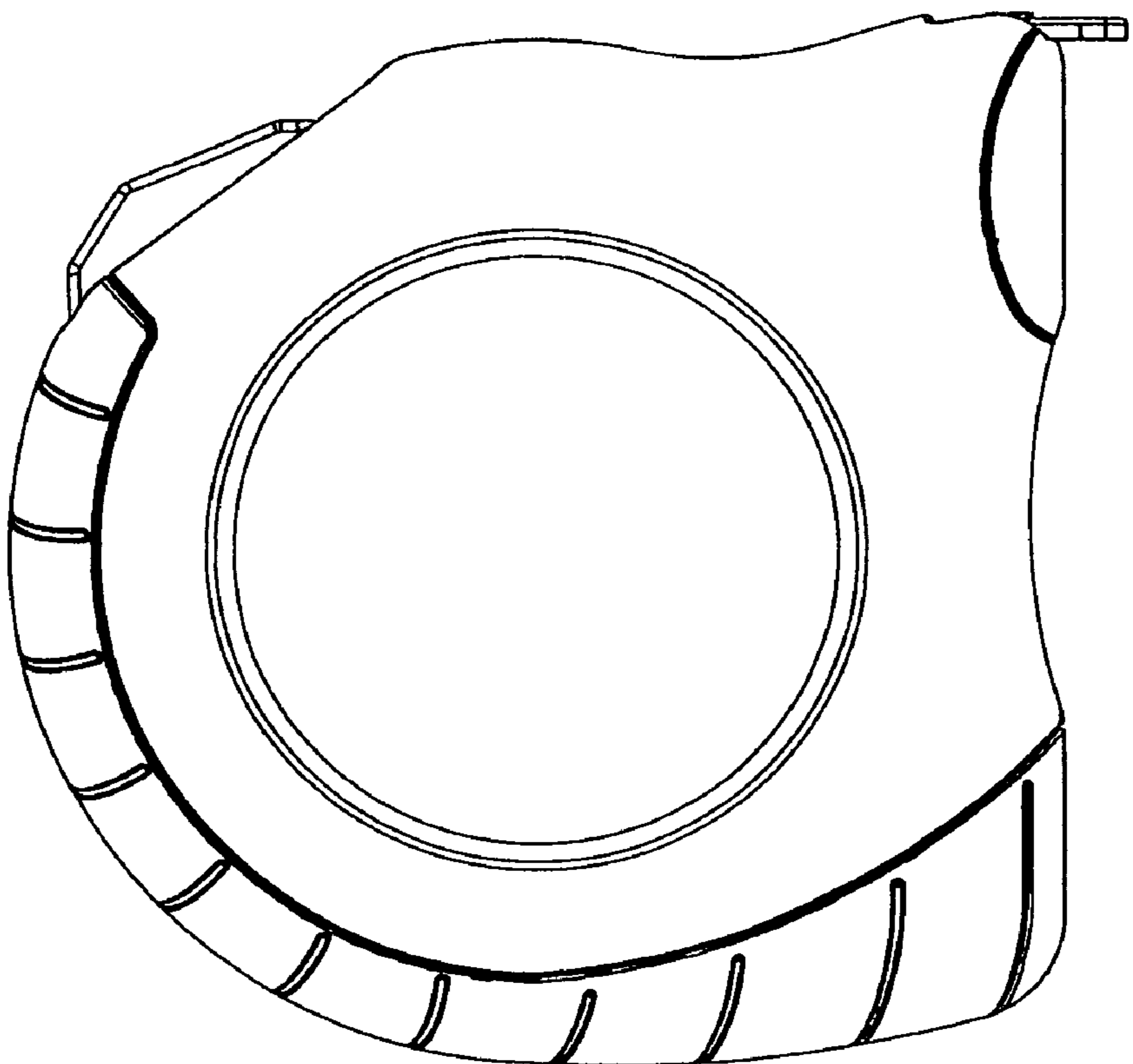


Fig. 2

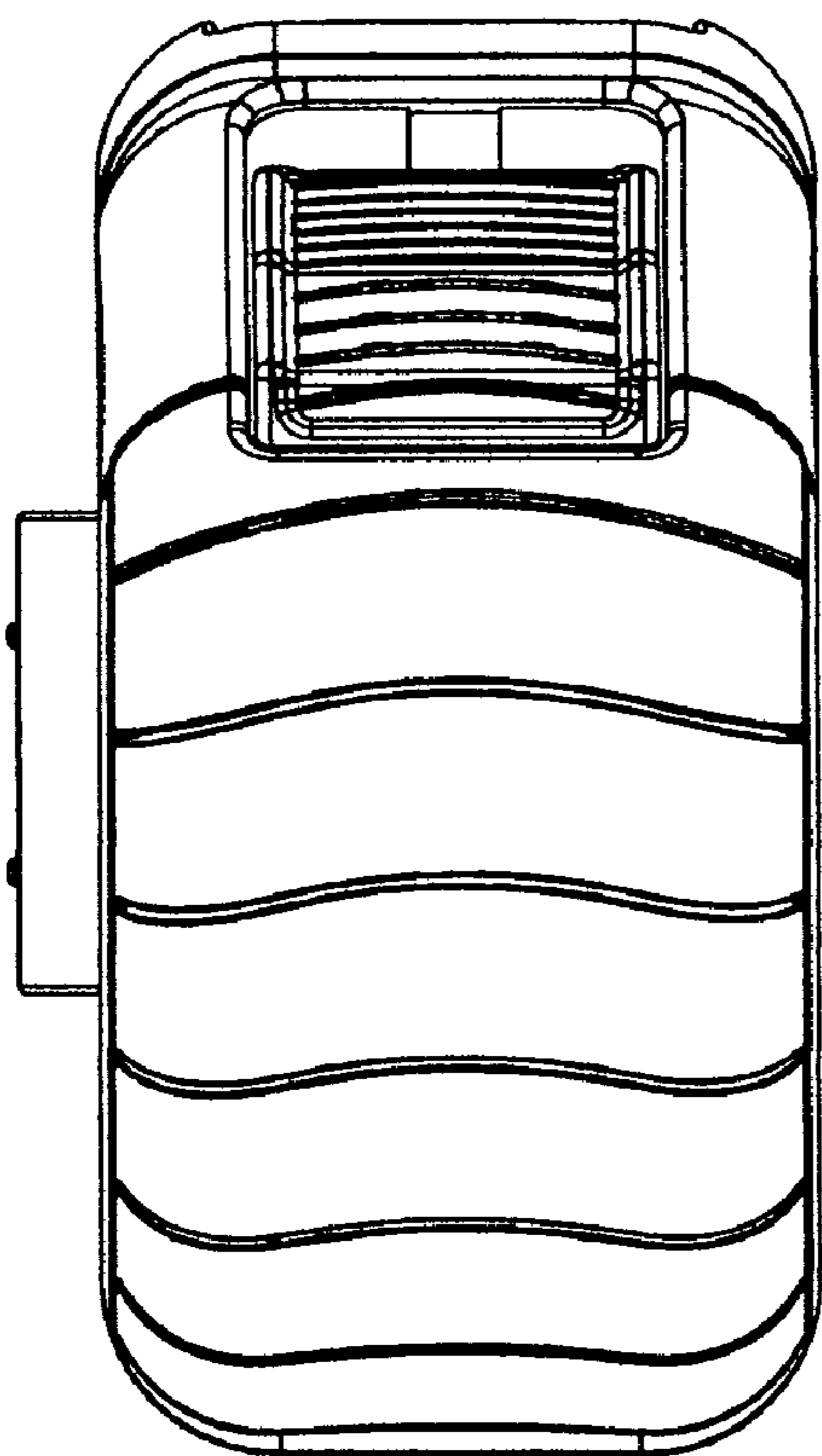


Fig. 4

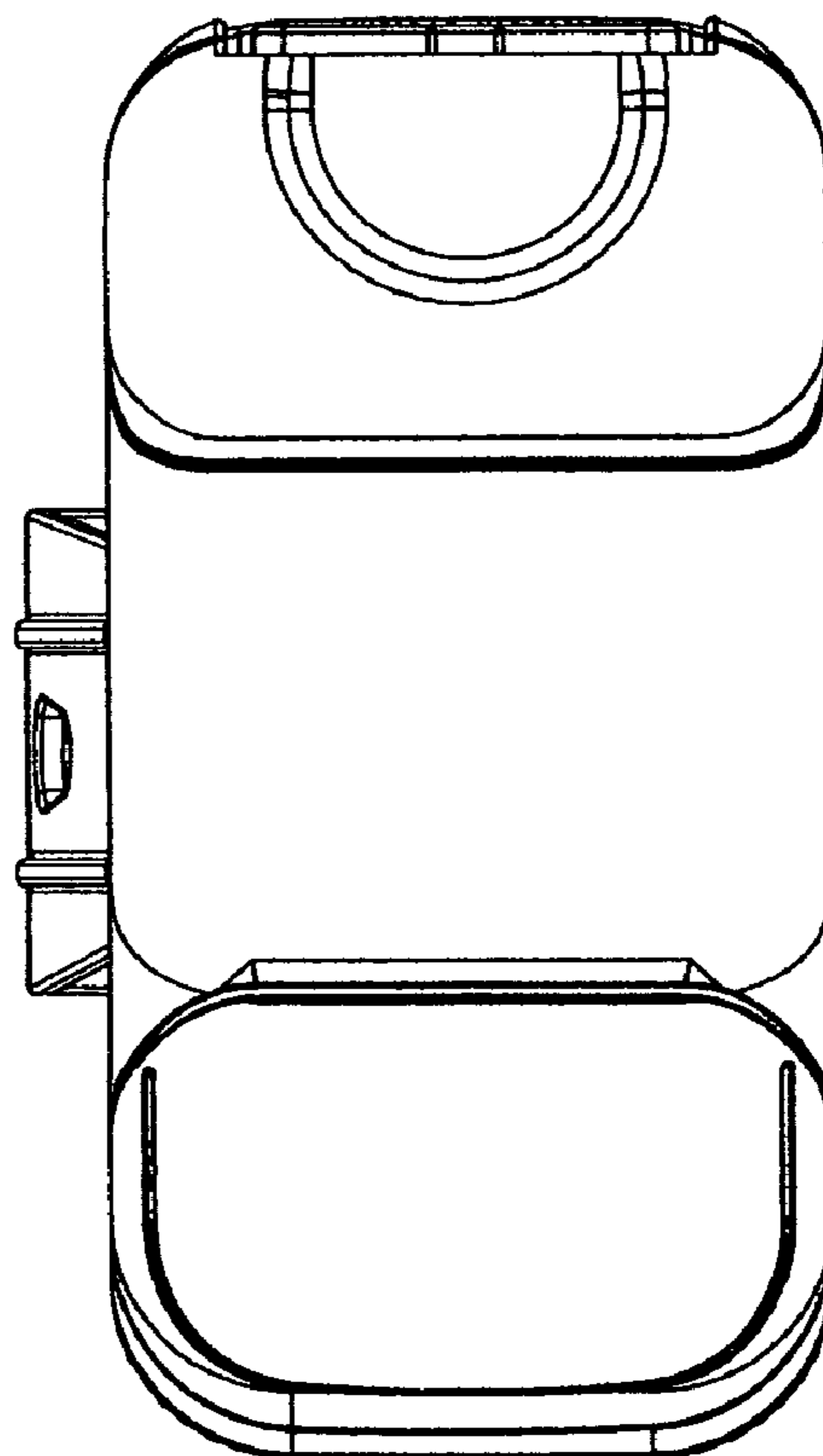


Fig. 5

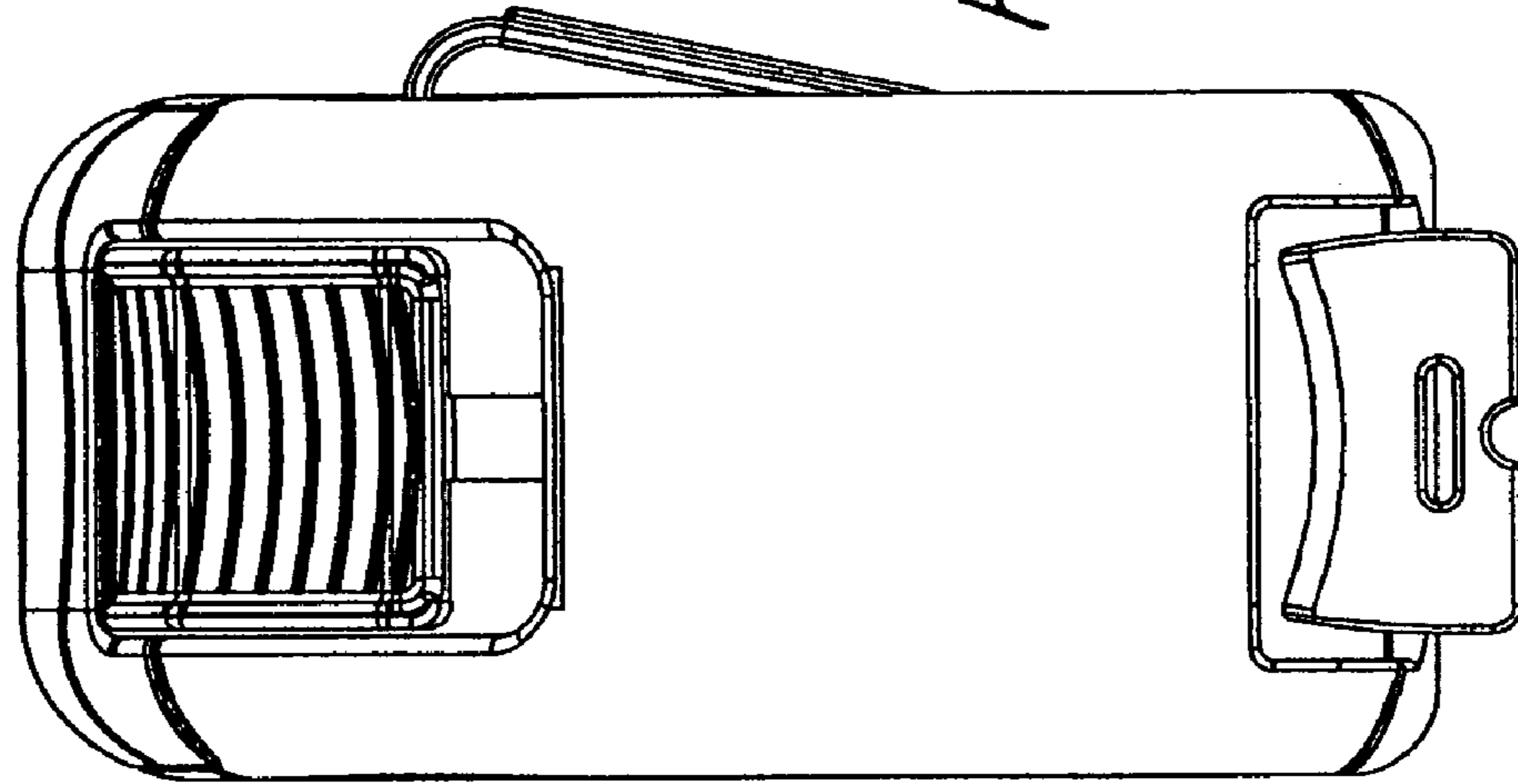


Fig. 7

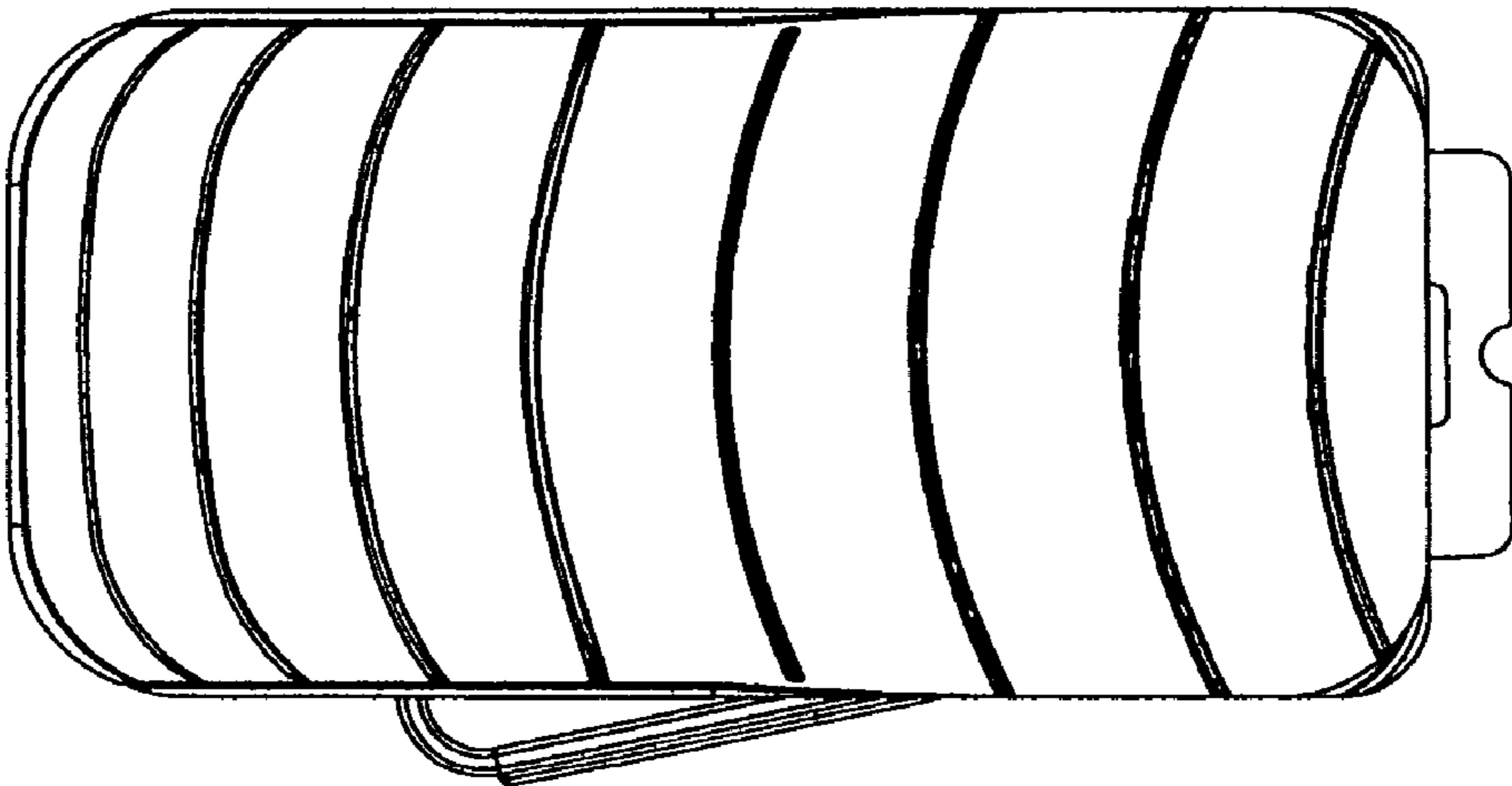


Fig. 6

Fig. 8

