



US00D584643S

(12) **United States Design Patent**
Kolon et al.

(10) **Patent No.:** **US D584,643 S**
(45) **Date of Patent:** **** Jan. 13, 2009**

(54) **BEVERAGE CONTAINER**
(75) Inventors: **Philipp Kolon**, Oehringen (DE); **Helmut Wiedmann**, Heilbronn (DE)
(73) Assignee: **HUBER Packaging Group GmbH & Co. KG**, Oehringen (DE)
(**) Term: **14 Years**

D427,910 S * 7/2000 Barnes et al. D9/502
D440,498 S * 4/2001 Buxton et al. D9/773
D455,961 S * 4/2002 Edson et al. D9/502
D464,264 S * 10/2002 Edson et al. D9/502
D524,160 S * 7/2006 Endou et al. D9/518
D531,519 S * 11/2006 Ioannides et al. D9/776
D536,263 S * 2/2007 Ioannides et al. D9/776
D536,264 S * 2/2007 Ioannides et al. D9/776
D560,874 S * 1/2008 Brans D34/39

* cited by examiner

(21) Appl. No.: **29/296,918**
(22) Filed: **Oct. 31, 2007**

Primary Examiner—Stella M Reid
Assistant Examiner—Shanda C Hill
(74) *Attorney, Agent, or Firm*—Harness, Dickey & Pierce, P.L.C.

(30) **Foreign Application Priority Data**
May 3, 2007 (EM) 000717608

(57) **CLAIM**

(51) **LOC (9) Cl.** **09-02**
(52) **U.S. Cl.** **D9/777**
(58) **Field of Classification Search** D9/500,
D9/501, 502, 633, 763, 772, 773, 776, 777,
D9/778, 779, 780; D34/39; 220/689, 906;
222/153.07; 215/40-46, 200, 329, 331, 335
See application file for complete search history.

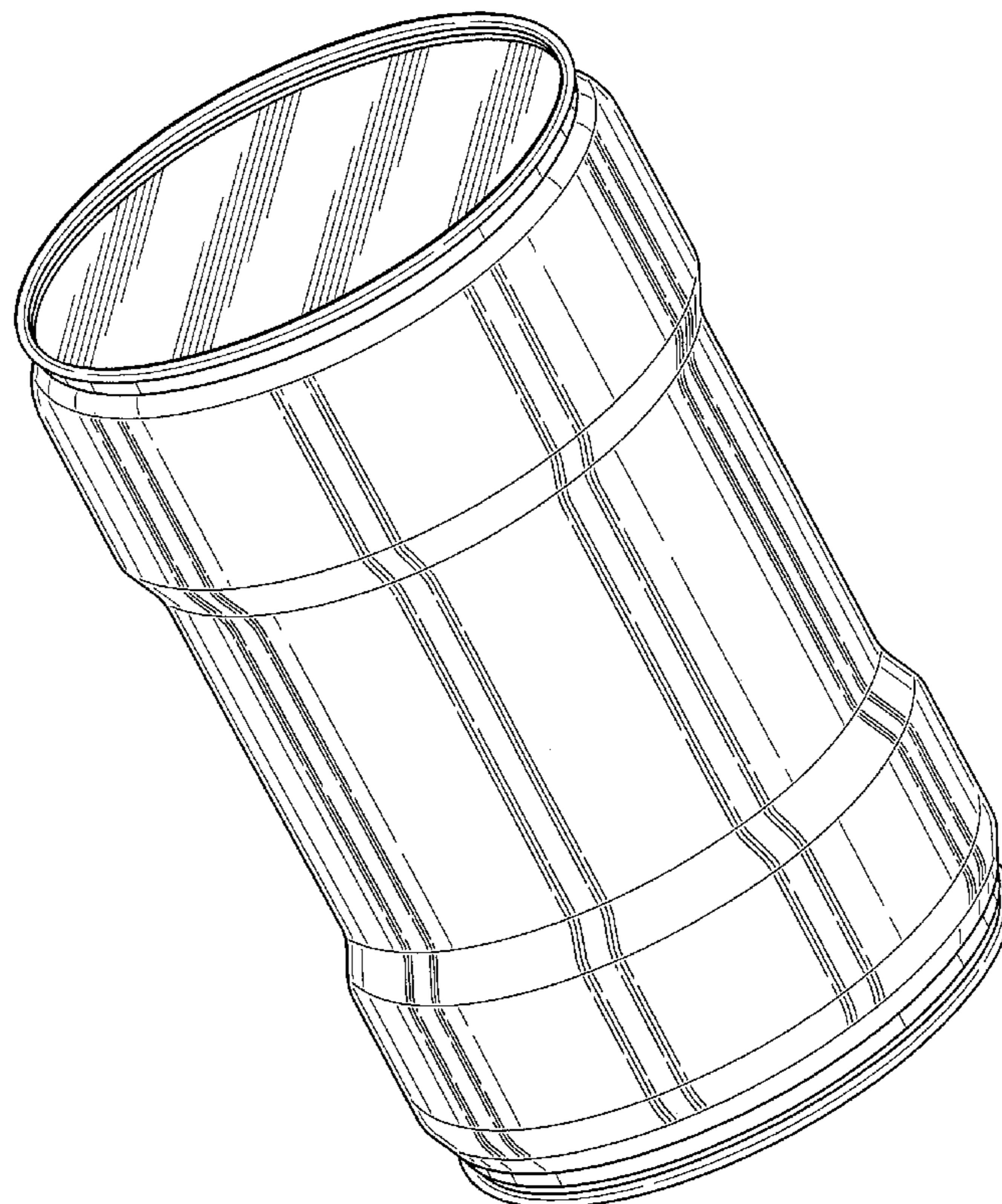
The ornamental design for a beverage container, as shown and described.

DESCRIPTION

FIG. 1 is a perspective view of a beverage container embodying our new design;
FIG. 2 is a front view thereof;
FIG. 3 is a side view thereof;
FIG. 4 is a rear view thereof;
FIG. 5 is a top view thereof; and,
FIG. 6 is a bottom view thereof.

(56) **References Cited**
U.S. PATENT DOCUMENTS
D276,499 S * 11/1984 Kamada et al. D9/633
D299,426 S * 1/1989 Andersson et al. D9/780
D336,039 S * 6/1993 Tanaka et al. D9/780
D398,531 S * 9/1998 De Vries D9/776

1 Claim, 6 Drawing Sheets



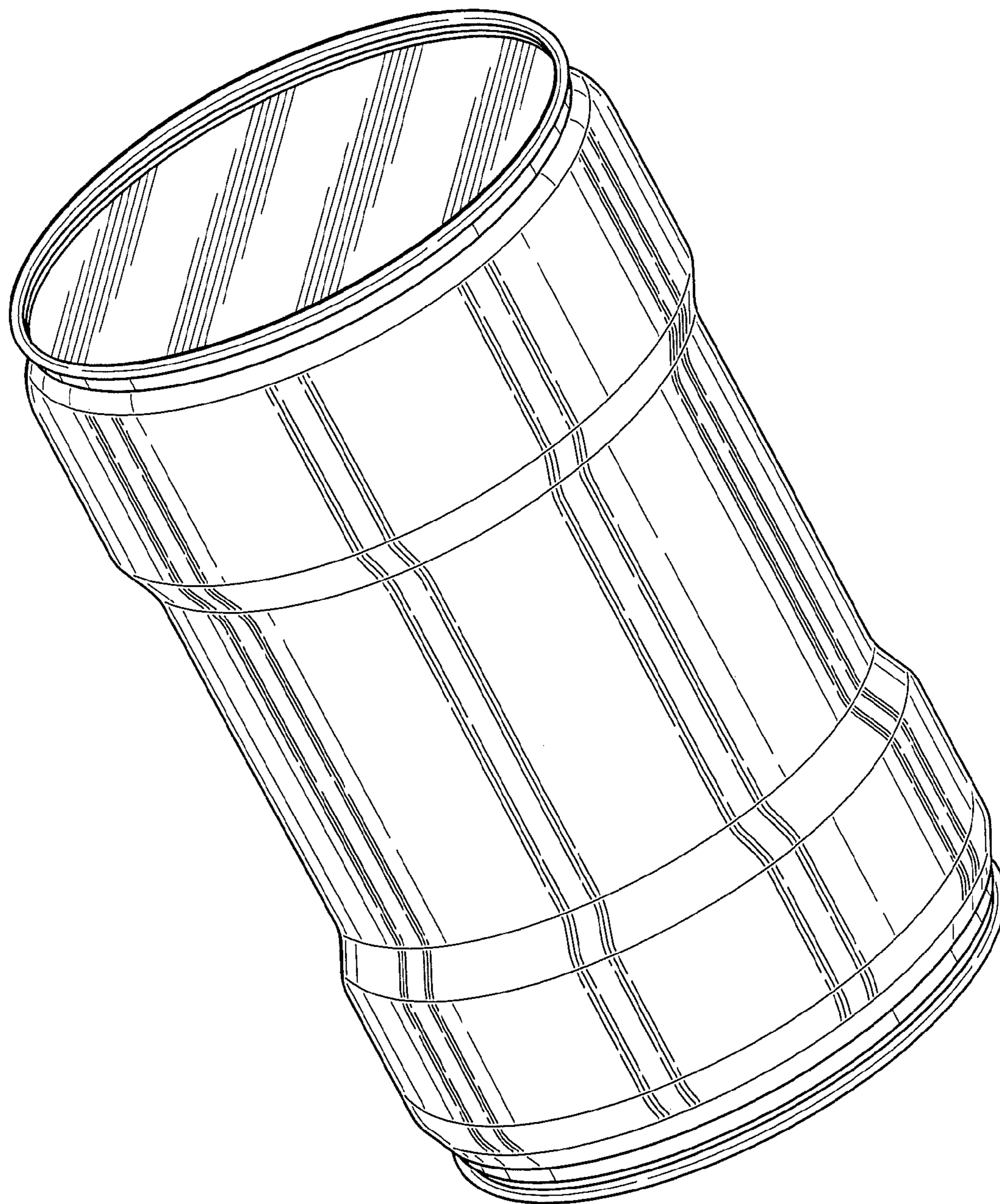


FIG. 1

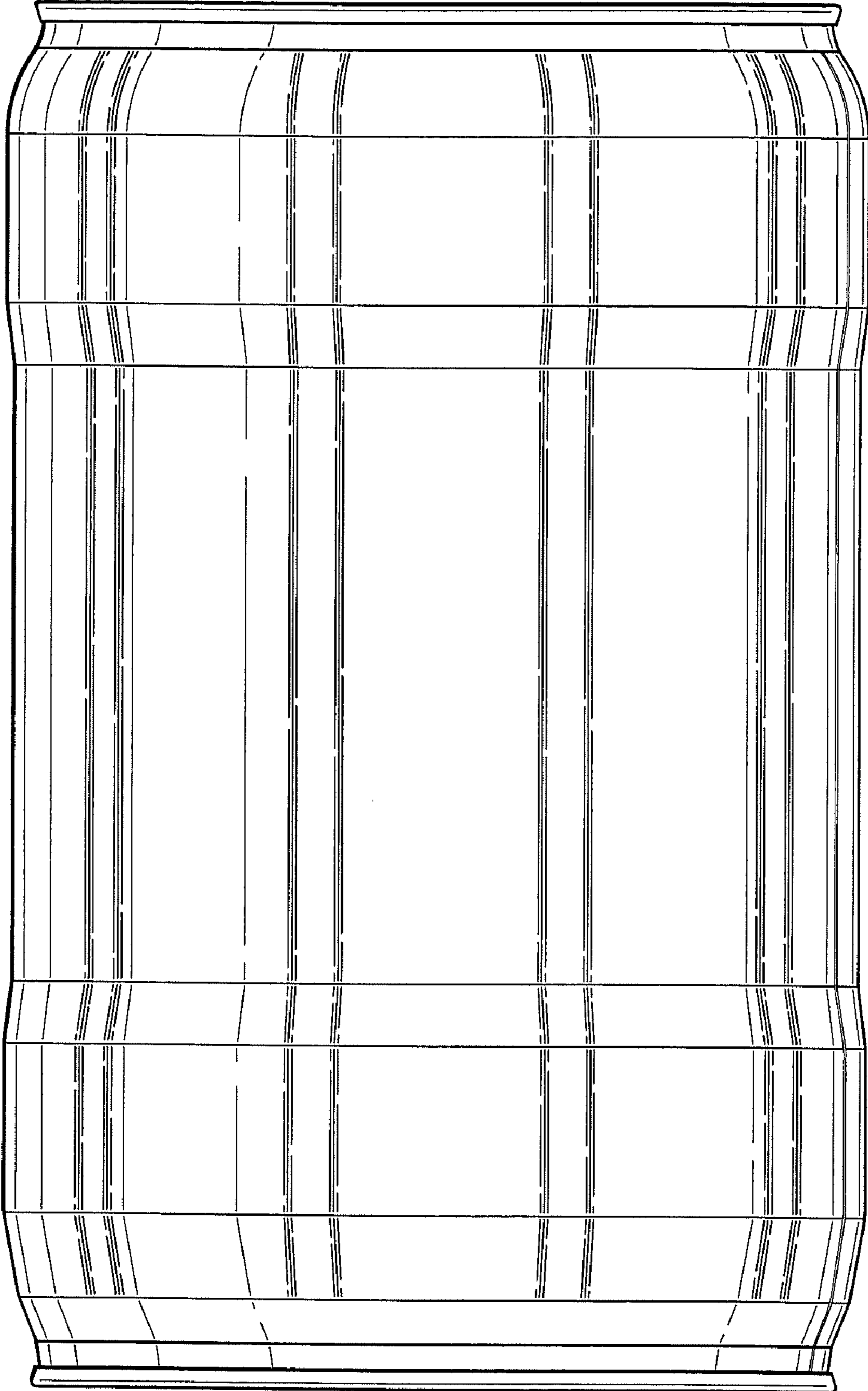


FIG. 2

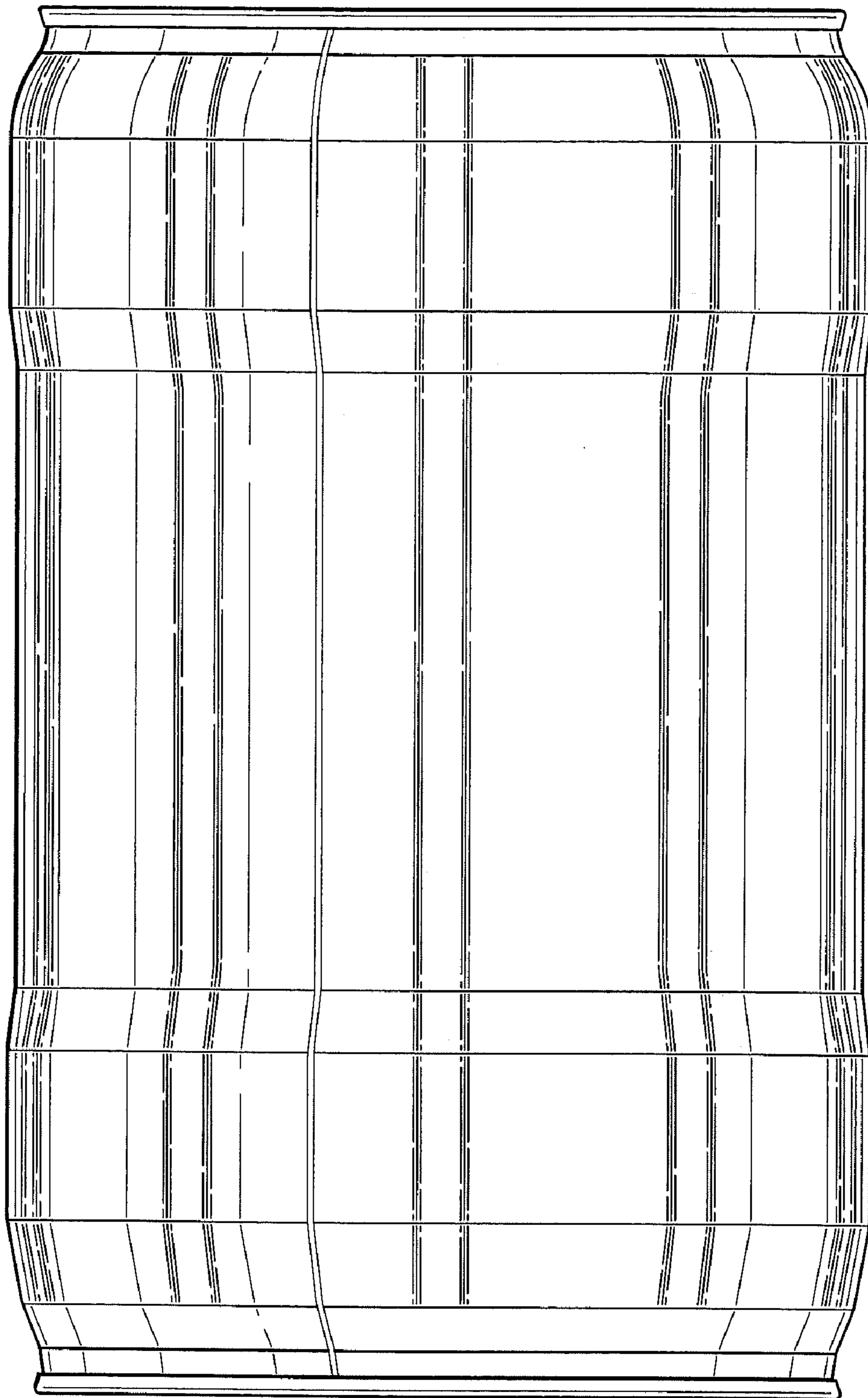


FIG. 3

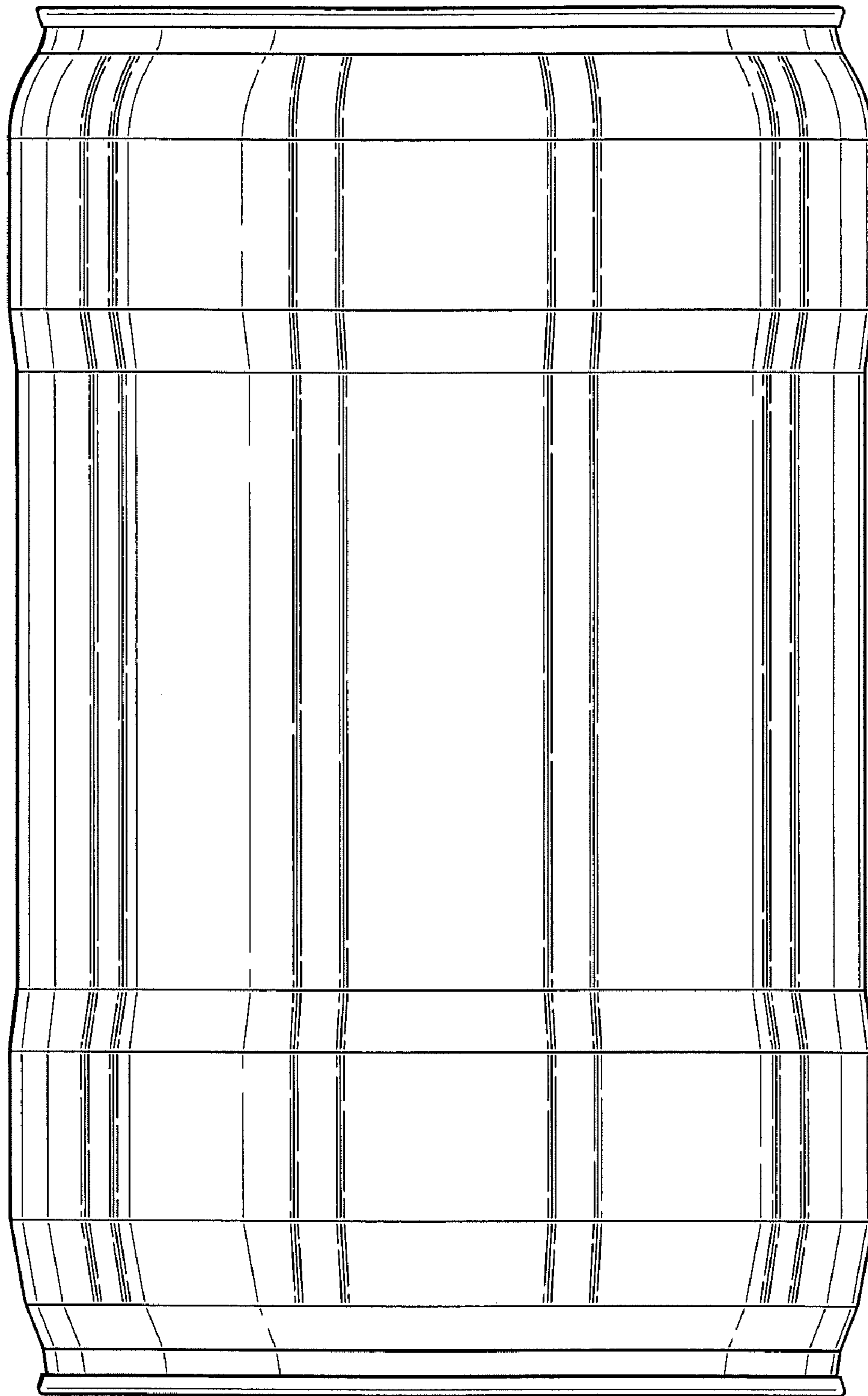


FIG. 4

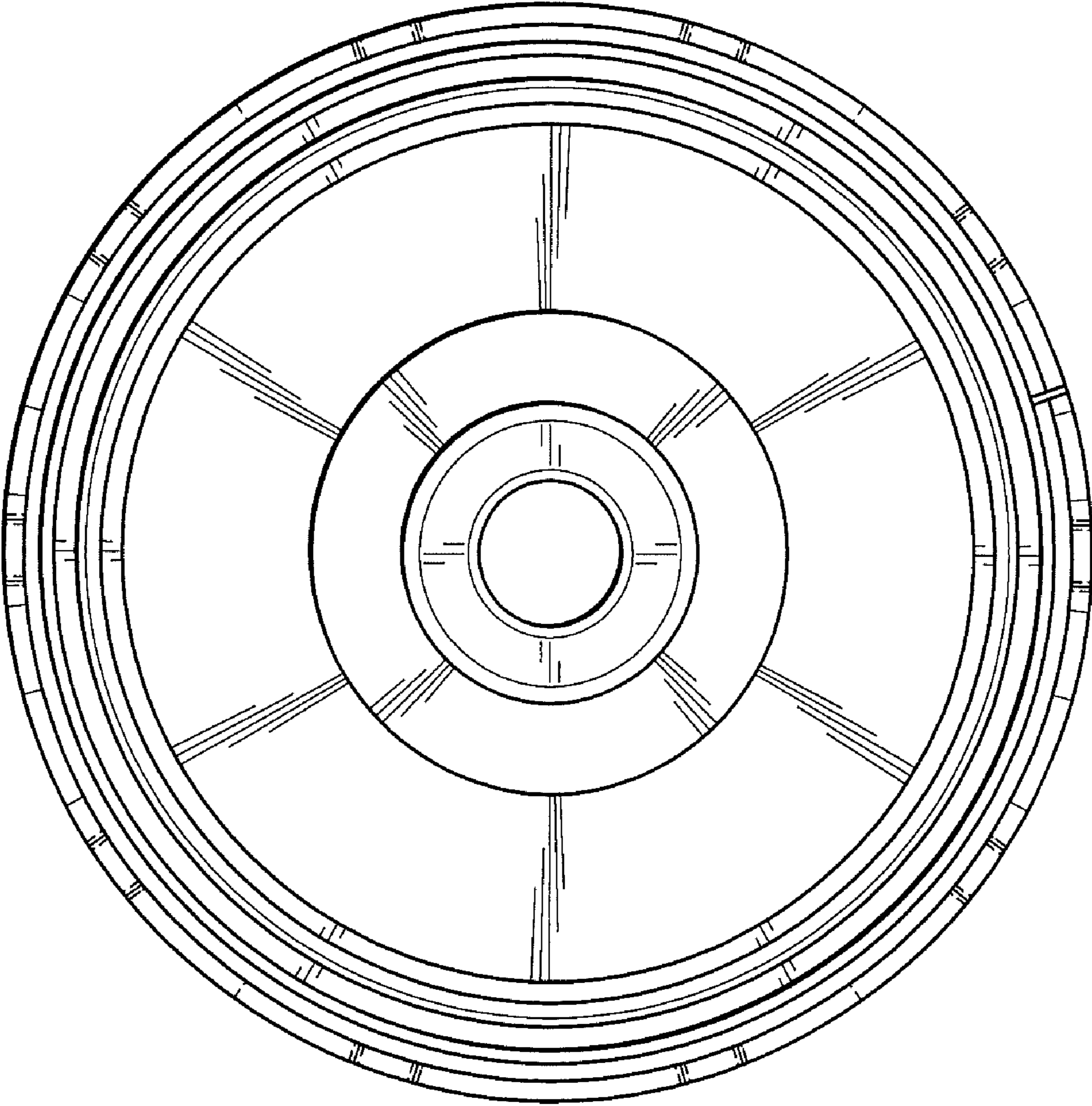


FIG. 5

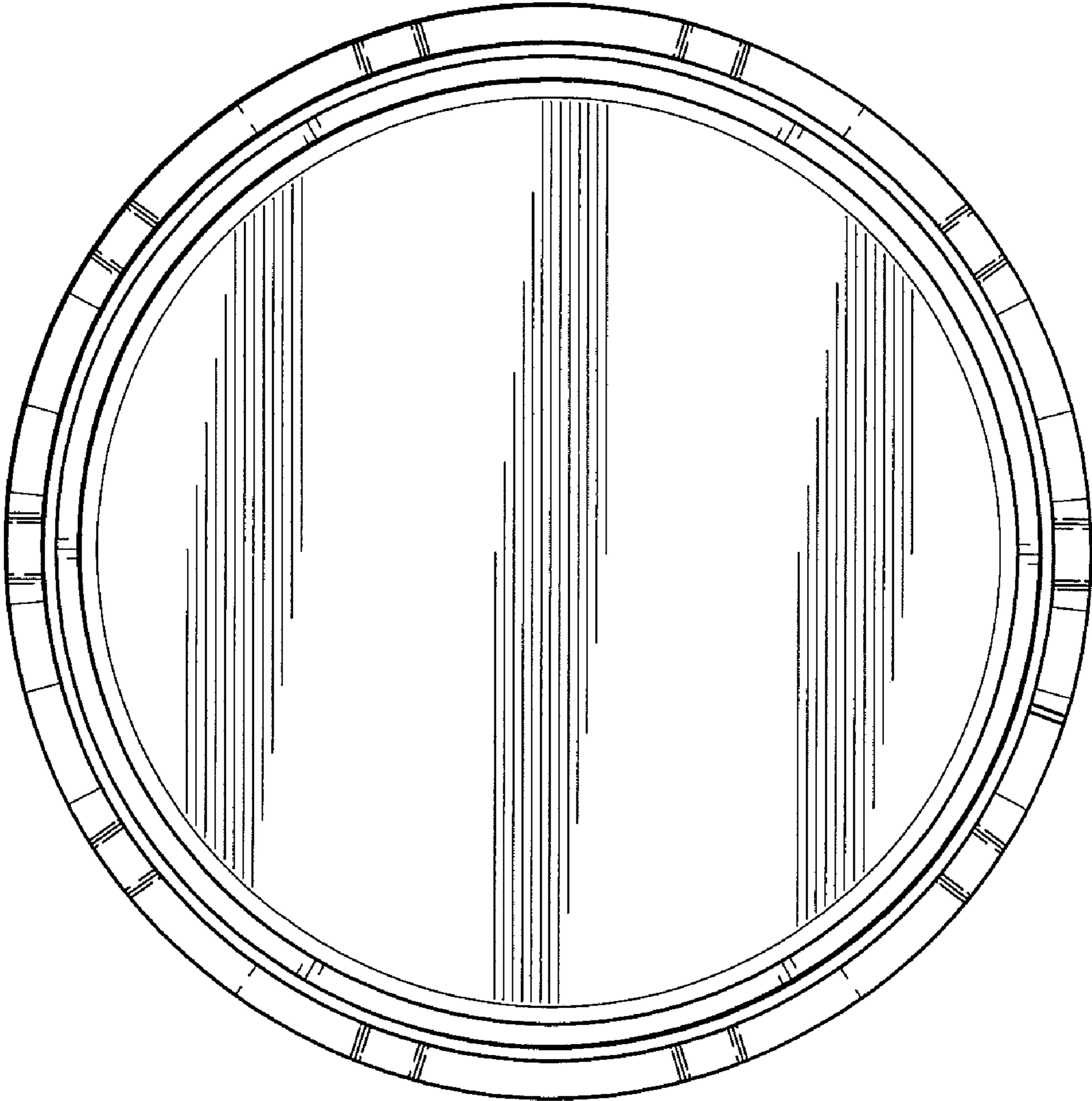


FIG. 6