



US00D584641S

(12) **United States Design Patent**  
**Domoy et al.**

(10) **Patent No.:** **US D584,641 S**  
(45) **Date of Patent:** **\*\* Jan. 13, 2009**

(54) **CONTAINER FOR PERSONAL CARE COMPOSITIONS**

(75) Inventors: **Brett Christopher Domoy**, Trumbull, CT (US); **Corinne Elizabeth Elstow**, Marlborough (GB); **Michael George Hurley**, Trumbull, CT (US); **John David Lamb**, Marlborough (GB); **William John Maskell**, Marlborough (GB); **Thomas Robert Walton**, Marlborough (GB); **Alan David Whiting**, Penrith (GB)

(73) Assignee: **Conopco, Inc.**, Englewood Cliffs, NJ (US)

(\*\*) Term: **14 Years**

(21) Appl. No.: **29/307,268**

(22) Filed: **Apr. 10, 2008**

(30) **Foreign Application Priority Data**

Oct. 11, 2007 (GB) ..... 4004659

(51) **LOC (9) Cl.** ..... **09-03**

(52) **U.S. Cl.** ..... **D9/695**

(58) **Field of Classification Search** ..... D9/695-699, D9/544, 435, 440, 454, 723-724, 521, 711, D9/504; 222/92, 107, 96, 527-529; 206/438, 206/822; D28/7, 76, 82; 220/DIG. 7  
See application file for complete search history.

(56) **References Cited**

**U.S. PATENT DOCUMENTS**

D281,055 S \* 10/1985 Dombroski ..... D9/697

D338,397 S *	8/1993	Sun et al. ....	D9/697
D370,415 S *	6/1996	Seppala .....	D9/537
D383,383 S *	9/1997	Prestia et al. ....	D9/521
D392,879 S *	3/1998	Couey .....	D9/697
D425,408 S *	5/2000	Bakic .....	D9/695
D436,029 S *	1/2001	Jones et al. ....	D9/699
D460,917 S *	7/2002	Trabal .....	D9/551
D465,412 S *	11/2002	Addis et al. ....	D9/562
D488,059 S *	4/2004	Mounier .....	D9/697
D532,701 S *	11/2006	Spencer .....	D9/699
D558,061 S *	12/2007	Py et al. ....	D9/695
D572,601 S *	7/2008	Chang .....	D9/697

\* cited by examiner

*Primary Examiner*—Caron Veynar

*Assistant Examiner*—Abraham Bahta

(74) *Attorney, Agent, or Firm*—Milton L. Honig

(57) **CLAIM**

The ornamental design for a container for personal care compositions, as shown and described.

**DESCRIPTION**

FIG. 1 is a perspective view of the container for personal care compositions showing our new design;

FIG. 2 is a front elevational view thereof;

FIG. 3 is a rear elevational view thereof;

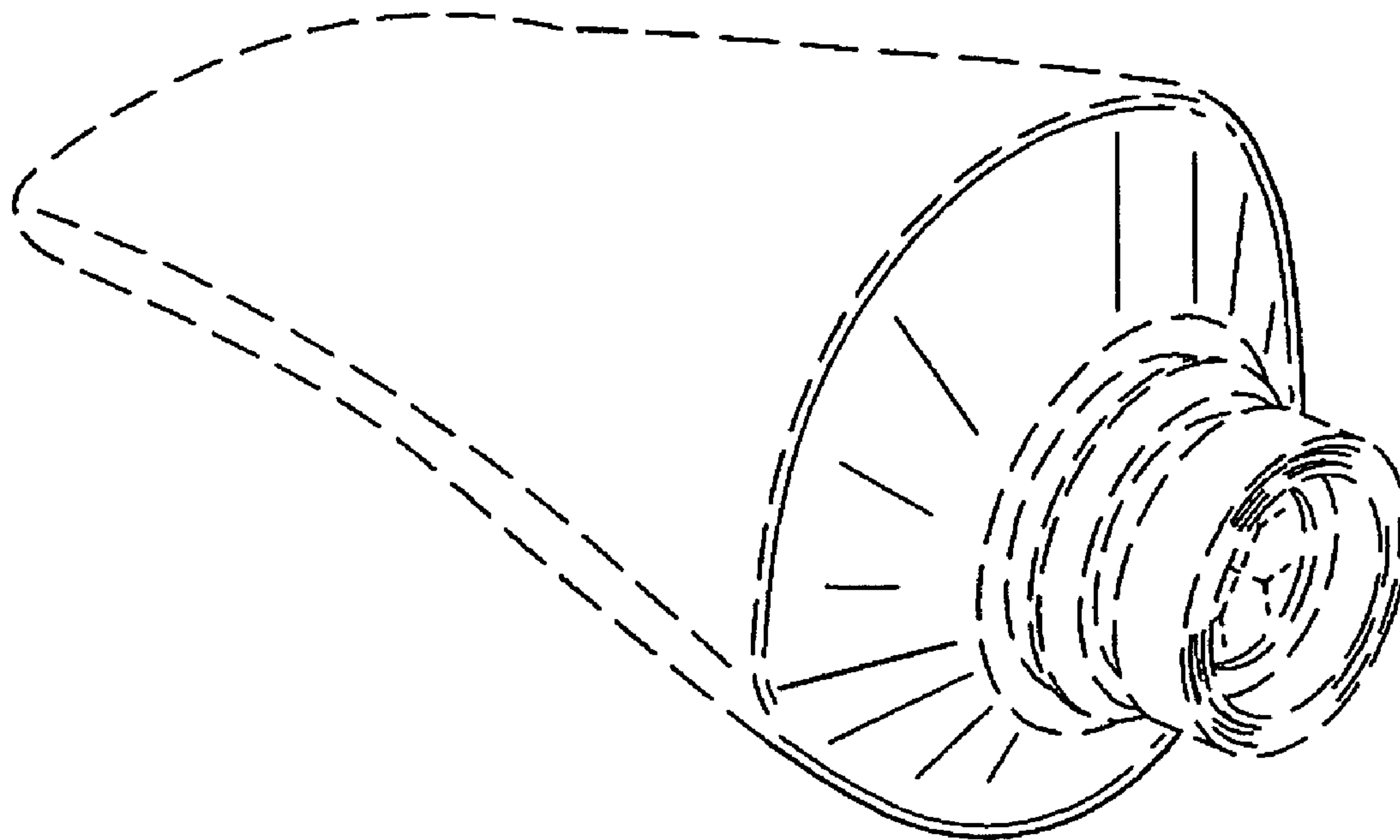
FIG. 4 is a right side elevational view thereof;

FIG. 5 is a left side elevational view thereof; and,

FIG. 6 is a top plan view thereof.

The broken lines are present only for illustrative purposes to show other areas of the container but do not form part of the claimed design.

**1 Claim, 2 Drawing Sheets**



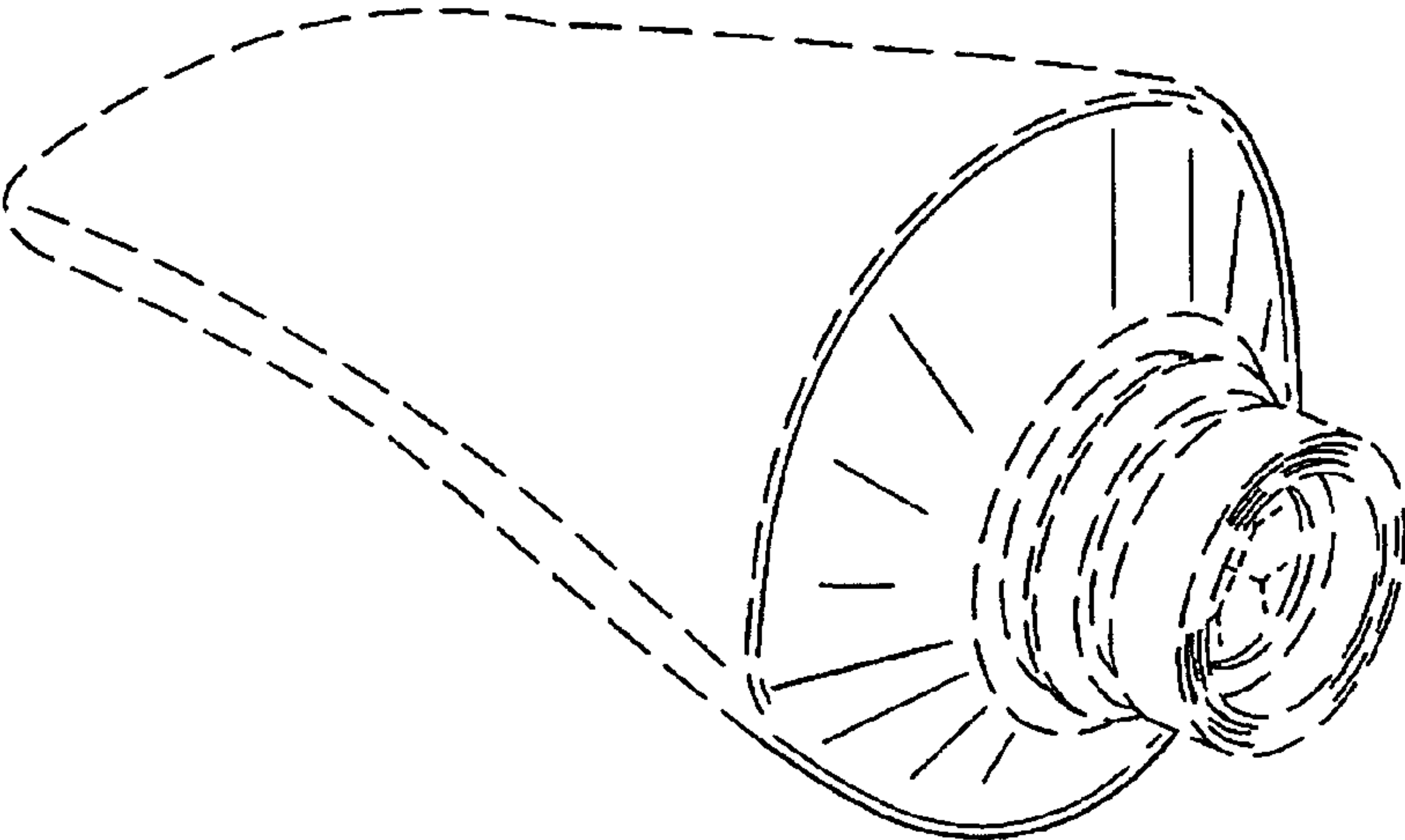


Fig.1.

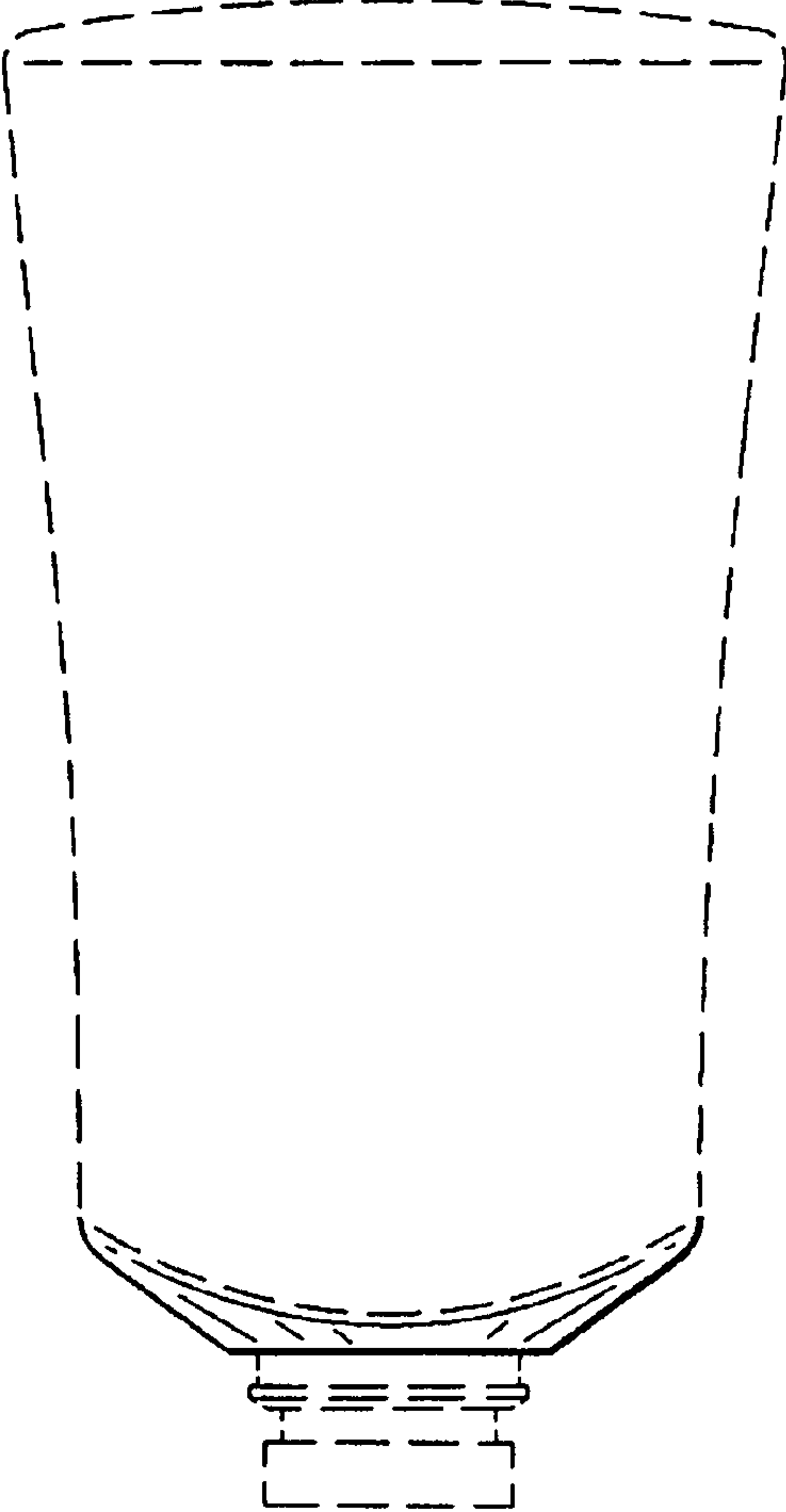


Fig.2.

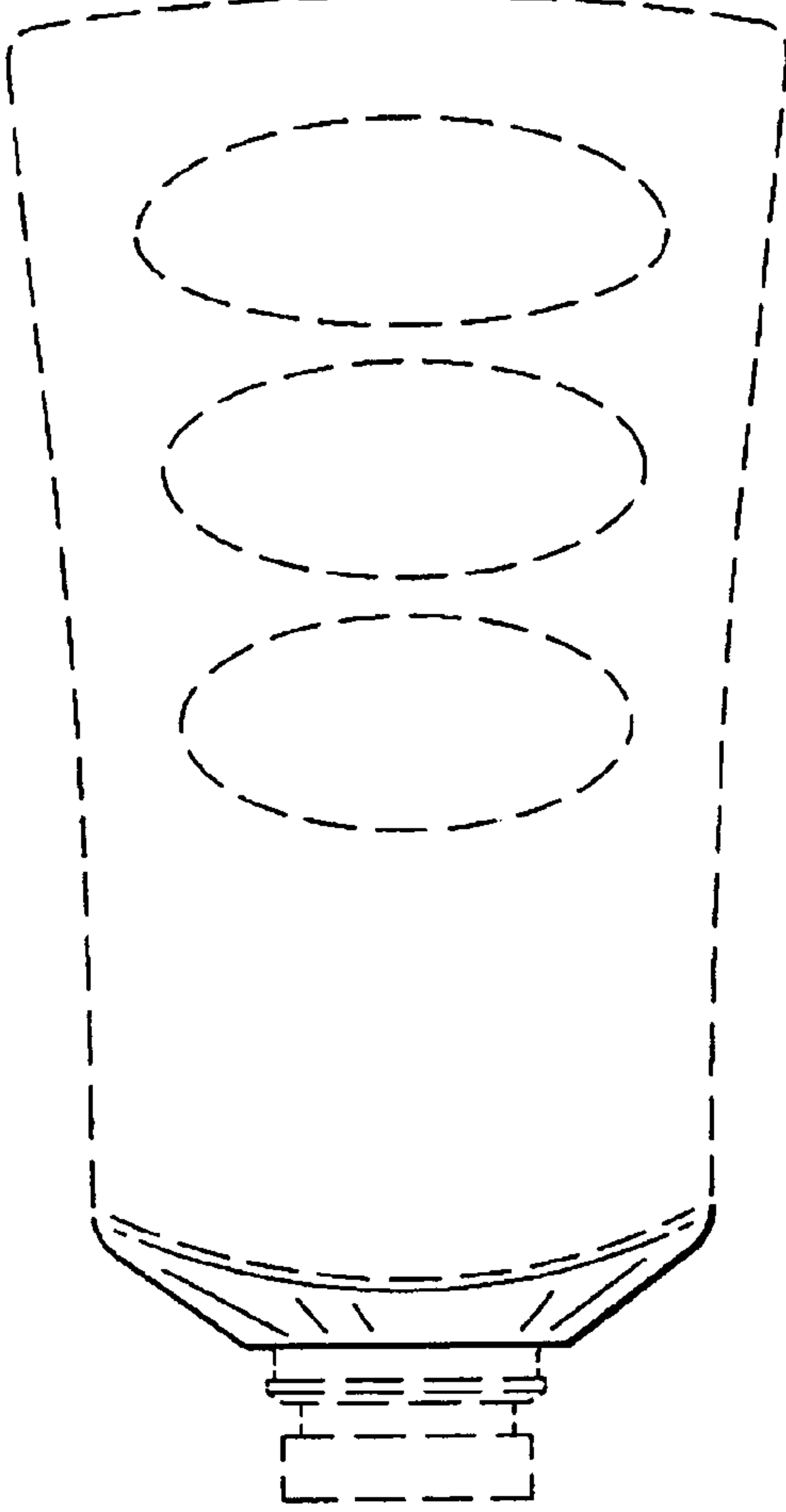


Fig.3.

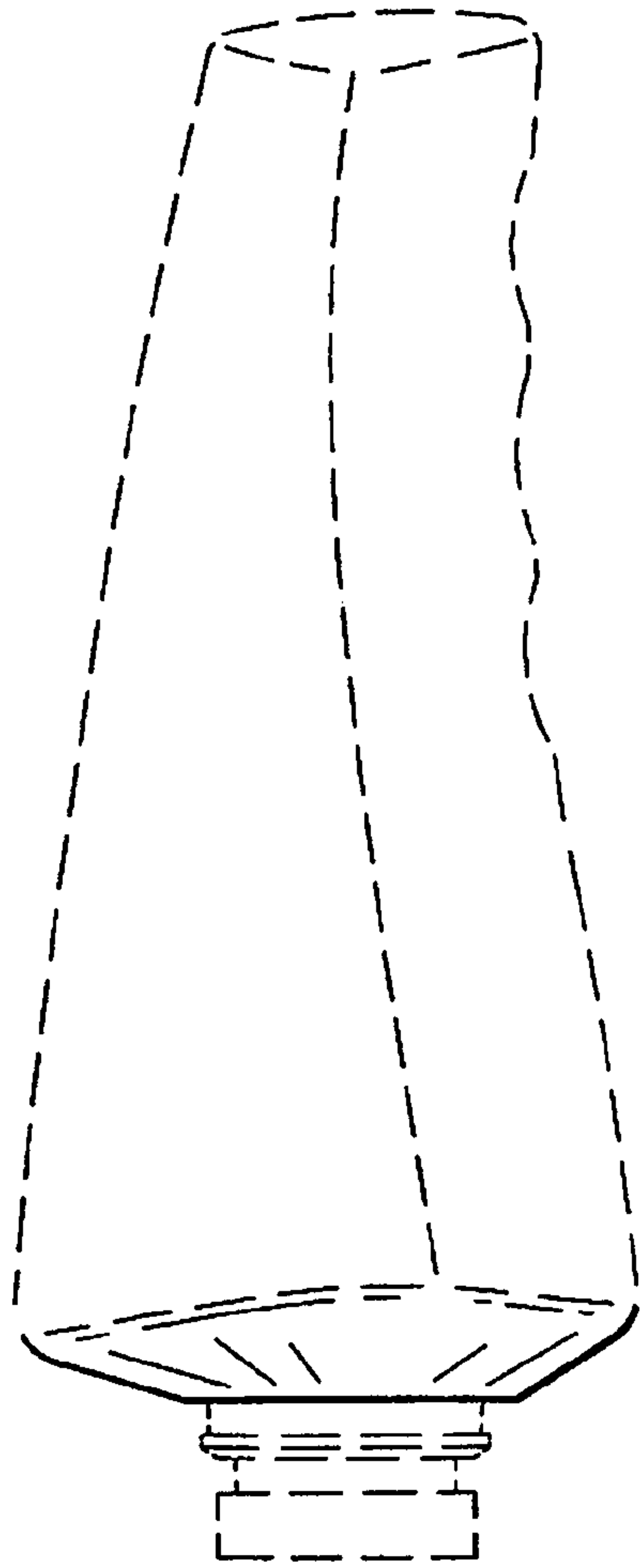


Fig.4.

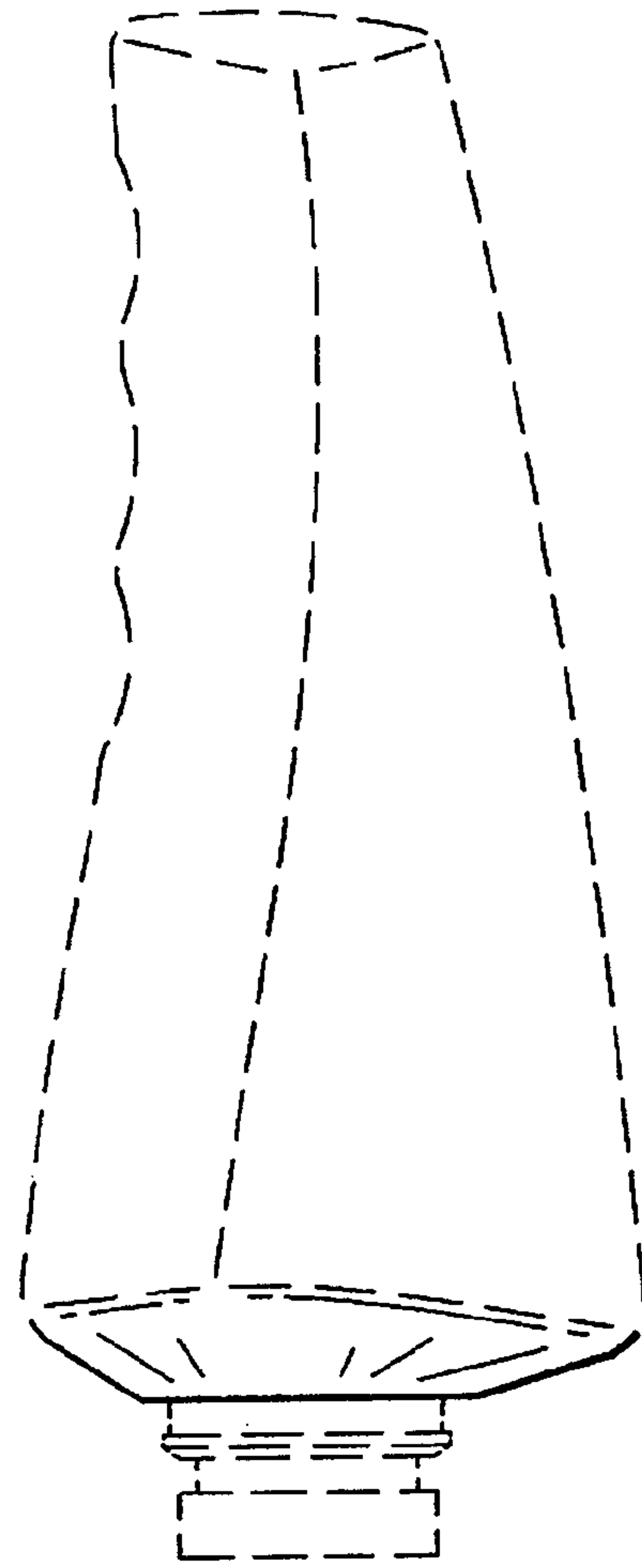


Fig.5.

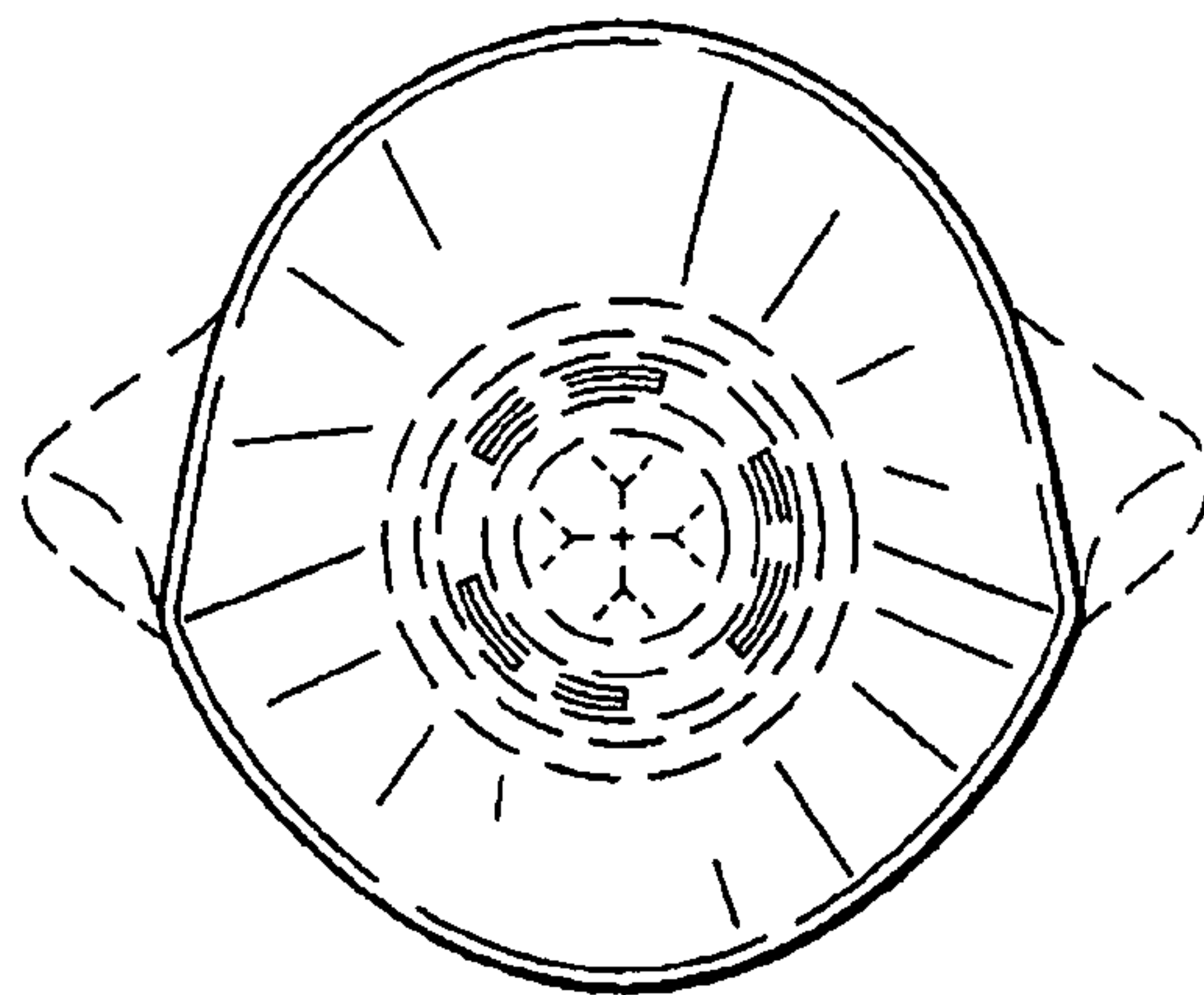


Fig.6.

UNITED STATES PATENT AND TRADEMARK OFFICE  
**CERTIFICATE OF CORRECTION**

PATENT NO. : Des. 584,641 S  
APPLICATION NO. : 29/307268  
DATED : January 13, 2009  
INVENTOR(S) : Domoy et al.

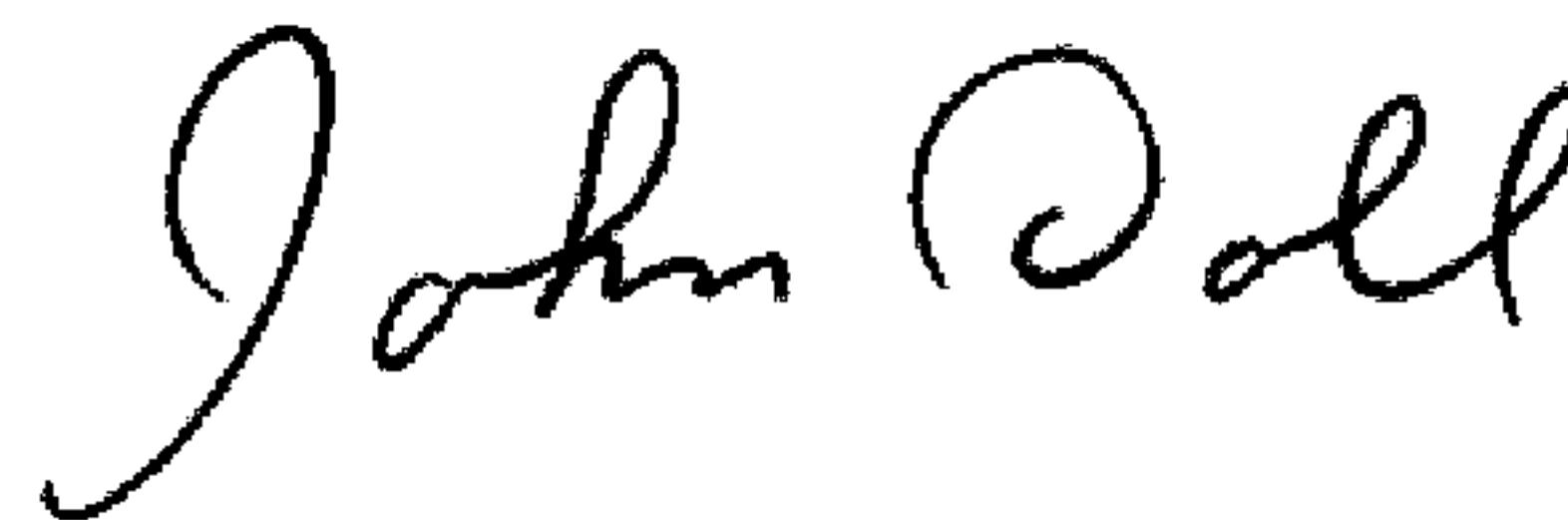
Page 1 of 1

It is certified that error appears in the above-identified patent and that said Letters Patent is hereby corrected as shown below:

Title Page, item [73] Assignee: "Conopco, Inc., Englewood Cliffs, NJ" should have read  
-- Conopco, Inc., d/b/a Unilever, Englewood Cliffs, NJ --.

Signed and Sealed this

Seventeenth Day of February, 2009



JOHN DOLL  
*Acting Director of the United States Patent and Trademark Office*