



US00D584632S

(12) **United States Design Patent**
Lloyd et al.

(10) **Patent No.:** **US D584,632 S**
(45) **Date of Patent:** **** Jan. 13, 2009**

(54) **BOTTLE**

(75) Inventors: **Malcolm Lloyd**, Princeton, NJ (US);
Devin Wilson, Arlington, MA (US); **Dan Baggenstoss**, Minneapolis, MN (US);
Brian Adducci, Minneapolis, MN (US)

(73) Assignee: **Old Nassau Imports, LLC**, Princeton, NJ (US)

(**) Term: **14 Years**

(21) Appl. No.: **29/320,447**

(22) Filed: **Jun. 26, 2008**

Related U.S. Application Data

(63) Continuation of application No. 29/295,333, filed on Sep. 26, 2007, now Pat. No. Des. 574,251.

(51) **LOC (9) Cl.** **09-01**

(52) **U.S. Cl.** **D9/546; D9/544**

(58) **Field of Classification Search** D9/516,
D9/529, 544, 546, 559, 560, 562, 563, 566,
D9/567, 569, 570, 572, 573, 574, 522; 215/381-385,
215/396, 398
See application file for complete search history.

(56) **References Cited**

U.S. PATENT DOCUMENTS

- D70,623 S * 7/1926 Morrison D9/522
- D085,320 S 10/1931 Bowman
- D85,320 S * 10/1931 Bowman D25/108
- D92,493 S * 6/1934 Roffey D9/520
- D92,518 S * 6/1934 Briner D9/522
- D102,444 S * 12/1936 Petty D9/563
- D103,051 S * 2/1937 Higgins D9/574
- D103,156 S * 2/1937 Kohl D9/569
- D155,021 S * 8/1949 Mayfield D9/544

- D163,454 S * 5/1951 Fuerst D9/566
- D194,810 S * 3/1963 Du Pree D7/300
- D202,220 S * 9/1965 Du Pree D7/300
- D217,659 S * 5/1970 Dinaud D9/574
- D218,318 S * 8/1970 Helmorse D7/316
- D280,385 S * 9/1985 Dinand D9/573
- D372,675 S * 8/1996 Pollard et al. D9/542
- D382,808 S * 8/1997 Fenton et al. D9/522
- D515,930 S * 2/2006 Steih et al. D9/522
- D522,872 S * 6/2006 Lascaux D9/544
- D551,082 S * 9/2007 Kakhniadze et al. D9/530
- D559,697 S * 1/2008 Didier D9/544

* cited by examiner

Primary Examiner—Stella M Reid

Assistant Examiner—Elizabeth J Oswecki

(74) *Attorney, Agent, or Firm*—PatentBest; Andrew McAleavey

(57) **CLAIM**

The ornamental design for a bottle, as shown and described.

DESCRIPTION

FIG. 1 is a perspective view of a bottle showing our new design;

FIG. 2 is a front elevation view thereof;

FIG. 3 is a rear elevation view thereof;

FIG. 4 is a side elevation view thereof;

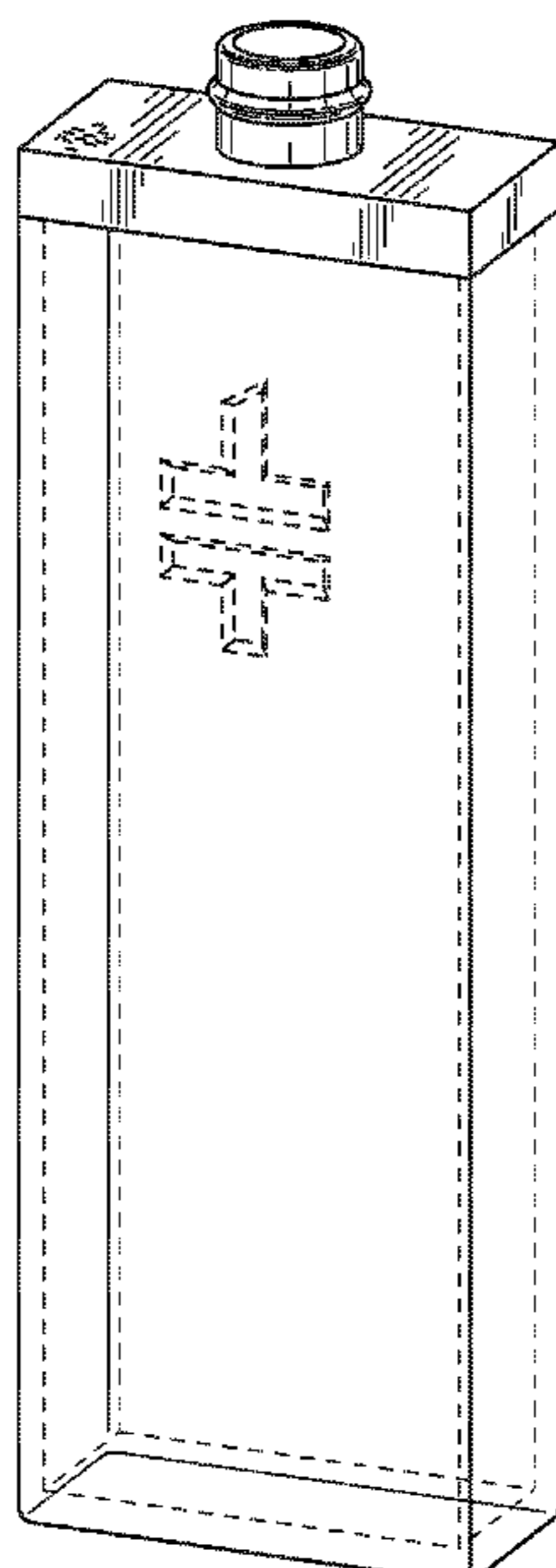
FIG. 5 is an opposite side elevation view of FIG. 4 thereof;

FIG. 6 is a top plan view thereof; and,

FIG. 7 is a bottom plan view thereof.

All the areas inside the broken line designation represent non-claimed subject matter. The exterior portion of the bottle is claimed subject matter, except those areas of the exterior portion of the bottle that are enclosed by broken lines.

1 Claim, 5 Drawing Sheets



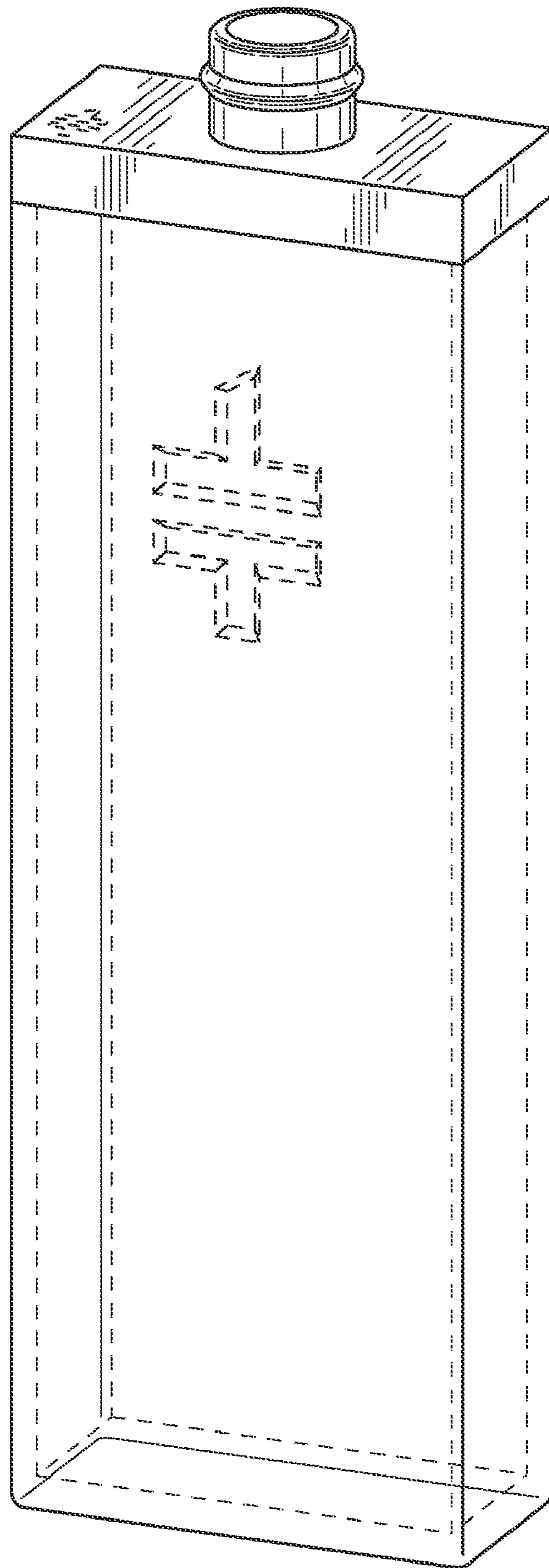


FIG. 1

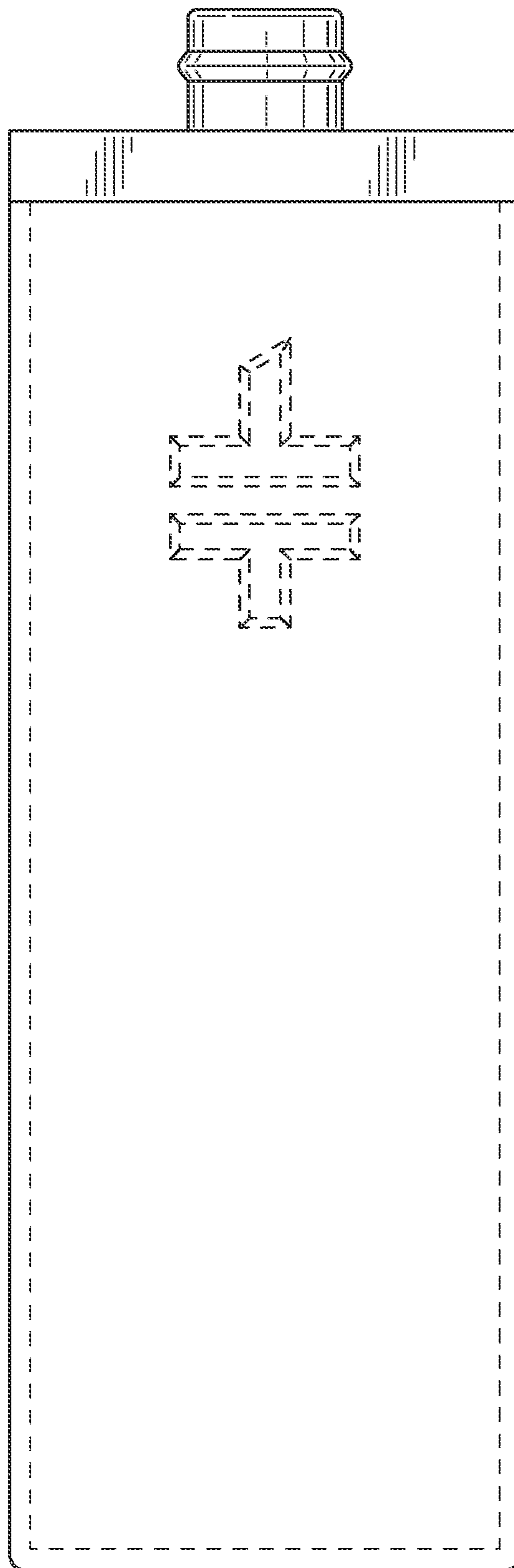


FIG. 2

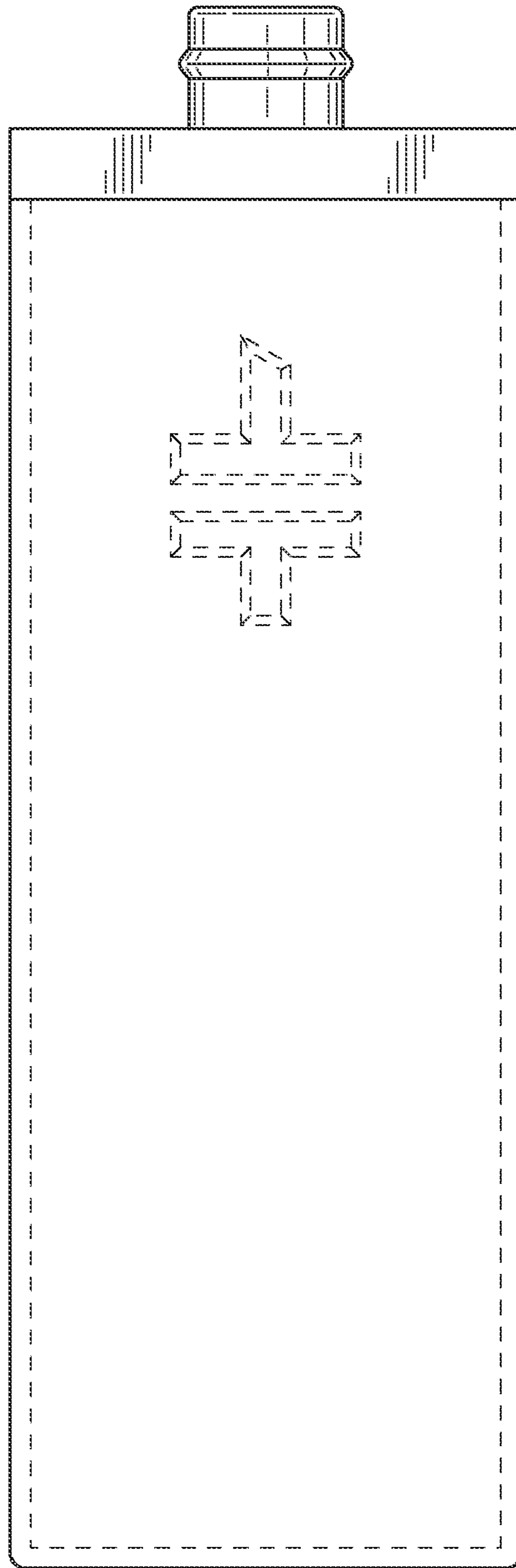


FIG. 3

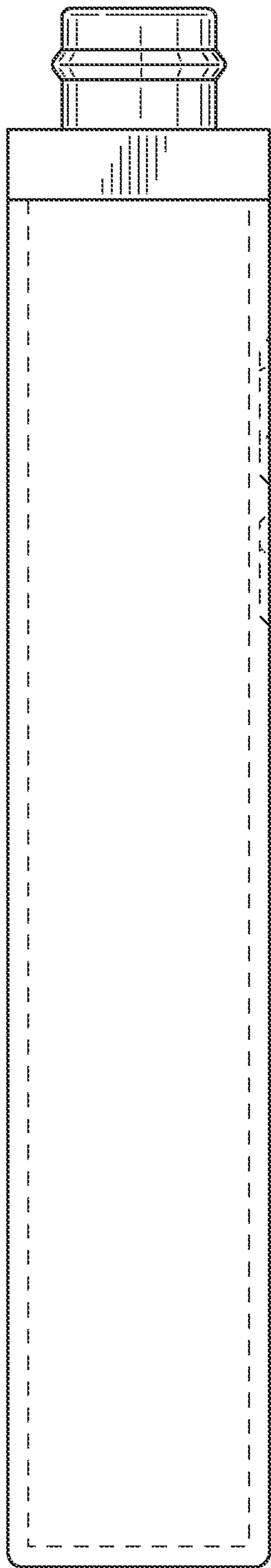


FIG. 4

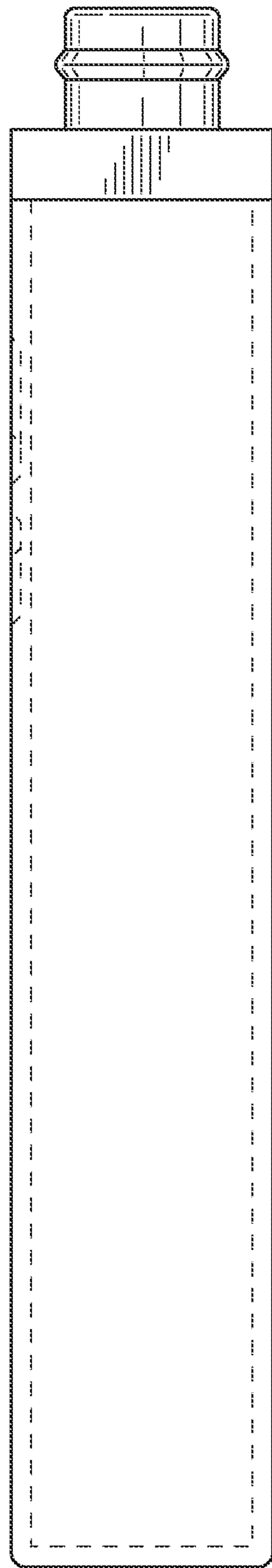


FIG. 5

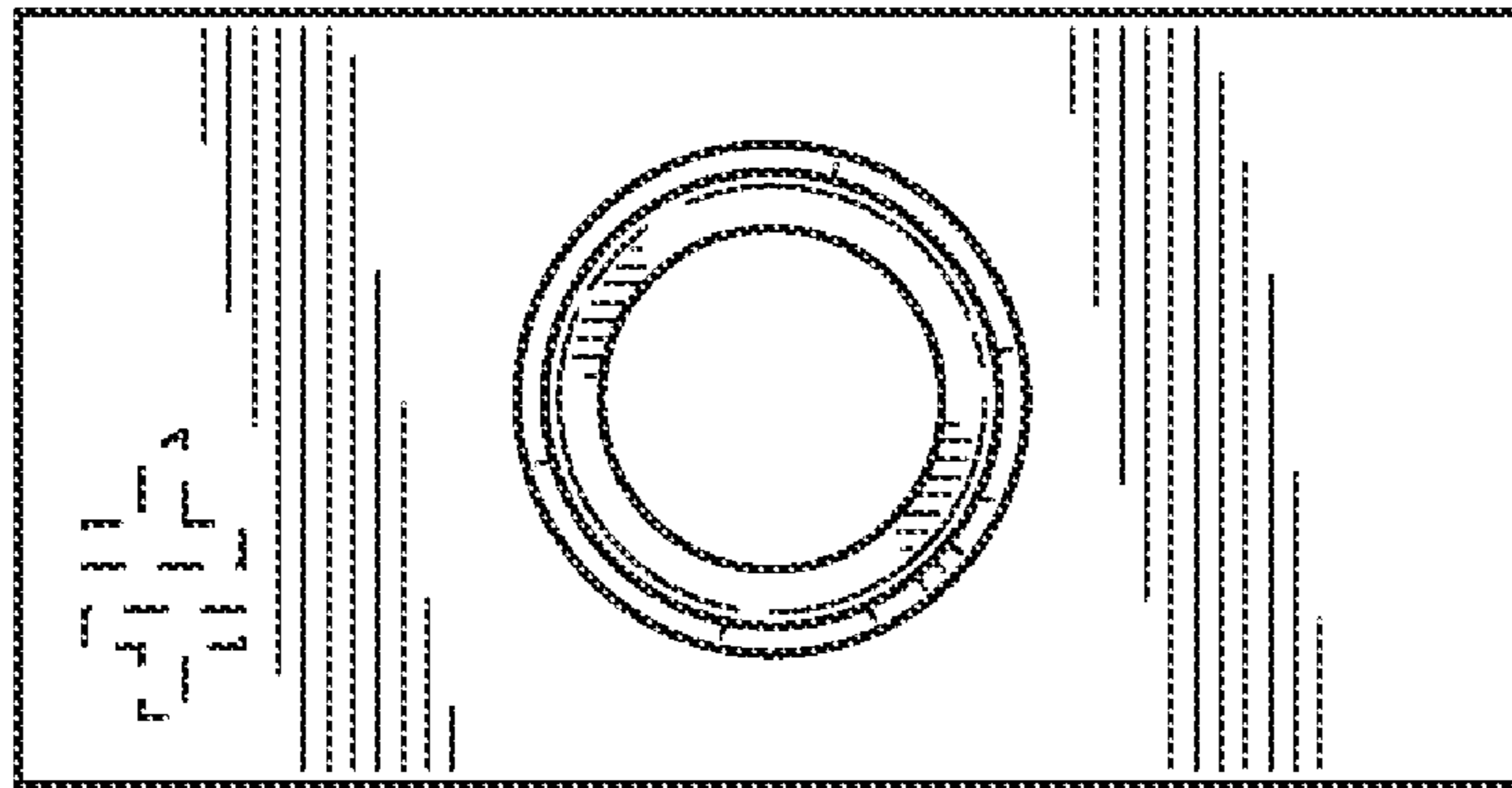


FIG. 6

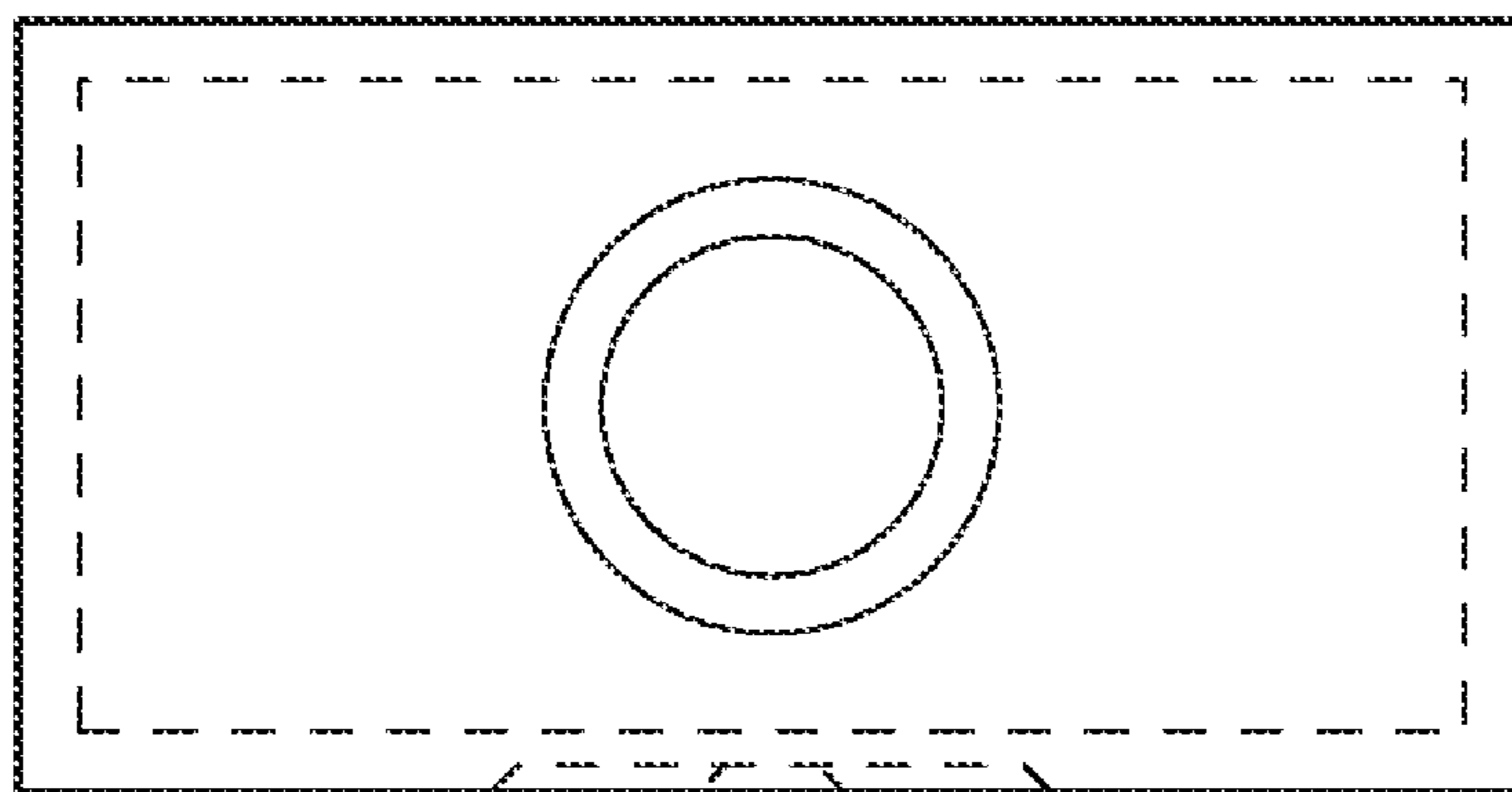


FIG. 7