



US00D584618S

(12) **United States Design Patent**
Schwartz

(10) **Patent No.:** **US D584,618 S**
(45) **Date of Patent:** **** Jan. 13, 2009**

(54) **CLOSURE FOR THE POURING SPOUT OF A CONTAINER**

(75) Inventor: **Erhard Schwartz**, Wiesloch (DE)

(73) Assignee: **Deutsche Sisi-Werke GmbH & Co. Betriebs KG**, Eppelheim, Heidelberg (DE)

(**) Term: **14 Years**

(21) Appl. No.: **29/283,600**

(22) Filed: **Aug. 17, 2007**

(30) **Foreign Application Priority Data**

Jul. 31, 2007 (EM) 000766910

(51) **LOC (9) Cl.** **09-07**

(52) **U.S. Cl.** **D9/449; D9/446**

(58) **Field of Classification Search** D9/697,
D9/695, 574, 529, 453, 450, 449, 447, 446,
D9/443, 442, 438, 434; 222/571, 567, 566,
222/545, 544, 484, 481.5, 480; 220/810;
215/235, 556

See application file for complete search history.

(56) **References Cited**

U.S. PATENT DOCUMENTS

D196,005 S * 8/1963 Stone D9/697

D364,810 S * 12/1995 Meisner D9/446
D475,923 S * 6/2003 Renz D9/446
D480,305 S * 10/2003 Nusbaum et al. D9/447
D556,575 S * 12/2007 Nusbaum et al. D9/449

* cited by examiner

Primary Examiner—Susan Bennett Hattan

(74) *Attorney, Agent, or Firm*—Stroock & Stroock & Lavan LLP

(57) **CLAIM**

The ornamental design for a closure for the pouring spout of a container, as shown and described.

DESCRIPTION

FIG. 1 is a perspective view of a closure for the pouring spout of a container in accordance with an embodiment of the invention;

FIG. 2 is a front elevational view thereof;

FIG. 3 is a rear elevational view thereof;

FIG. 4 is a left side elevational view thereof;

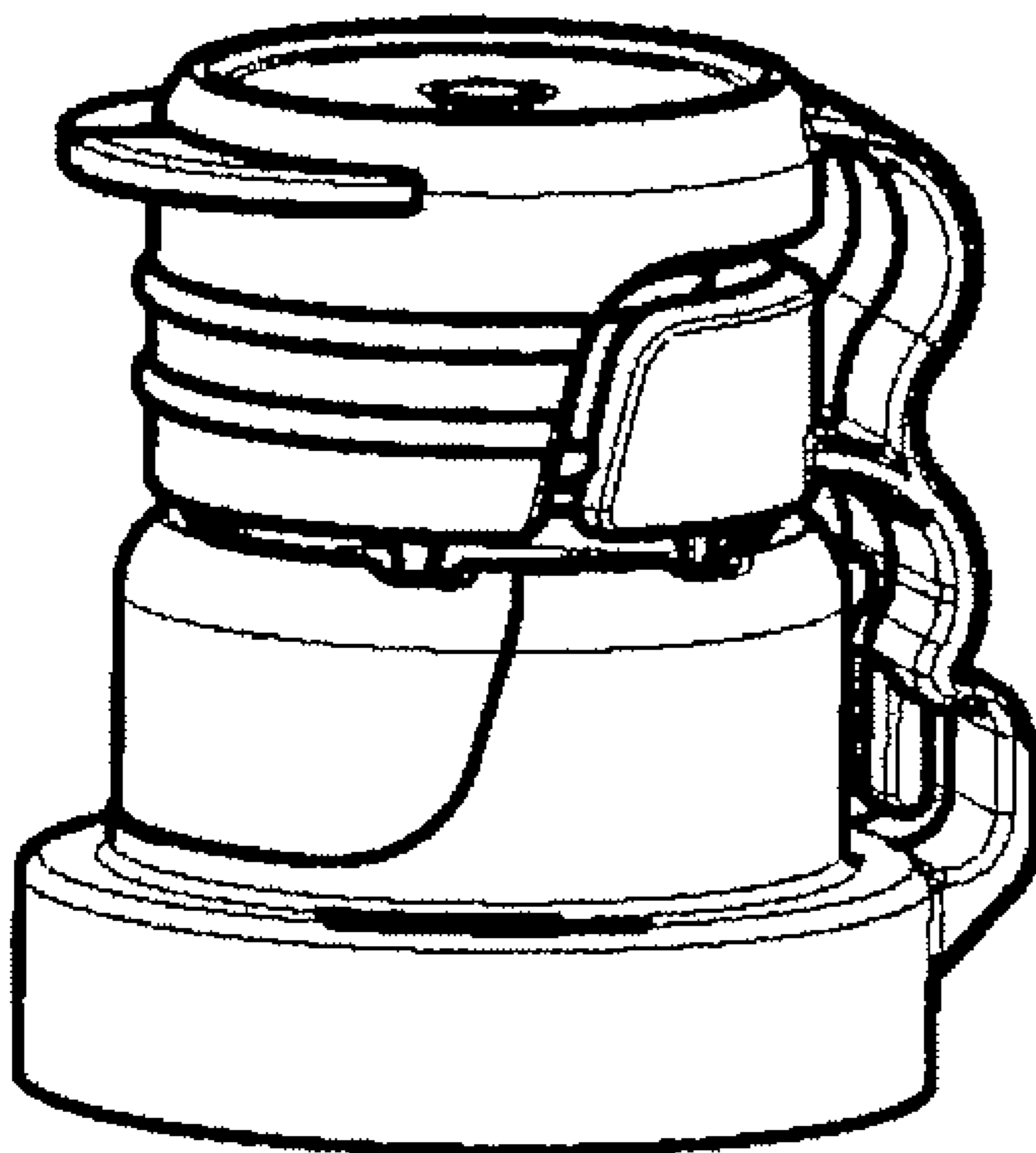
FIG. 5 is a right side elevational view thereof;

FIG. 6 is a top plan view thereof; and,

FIG. 7 is a bottom plan view thereof.

The broken lines in the drawing depict environmental subject matter only and form no part of the claimed design.

1 Claim, 7 Drawing Sheets



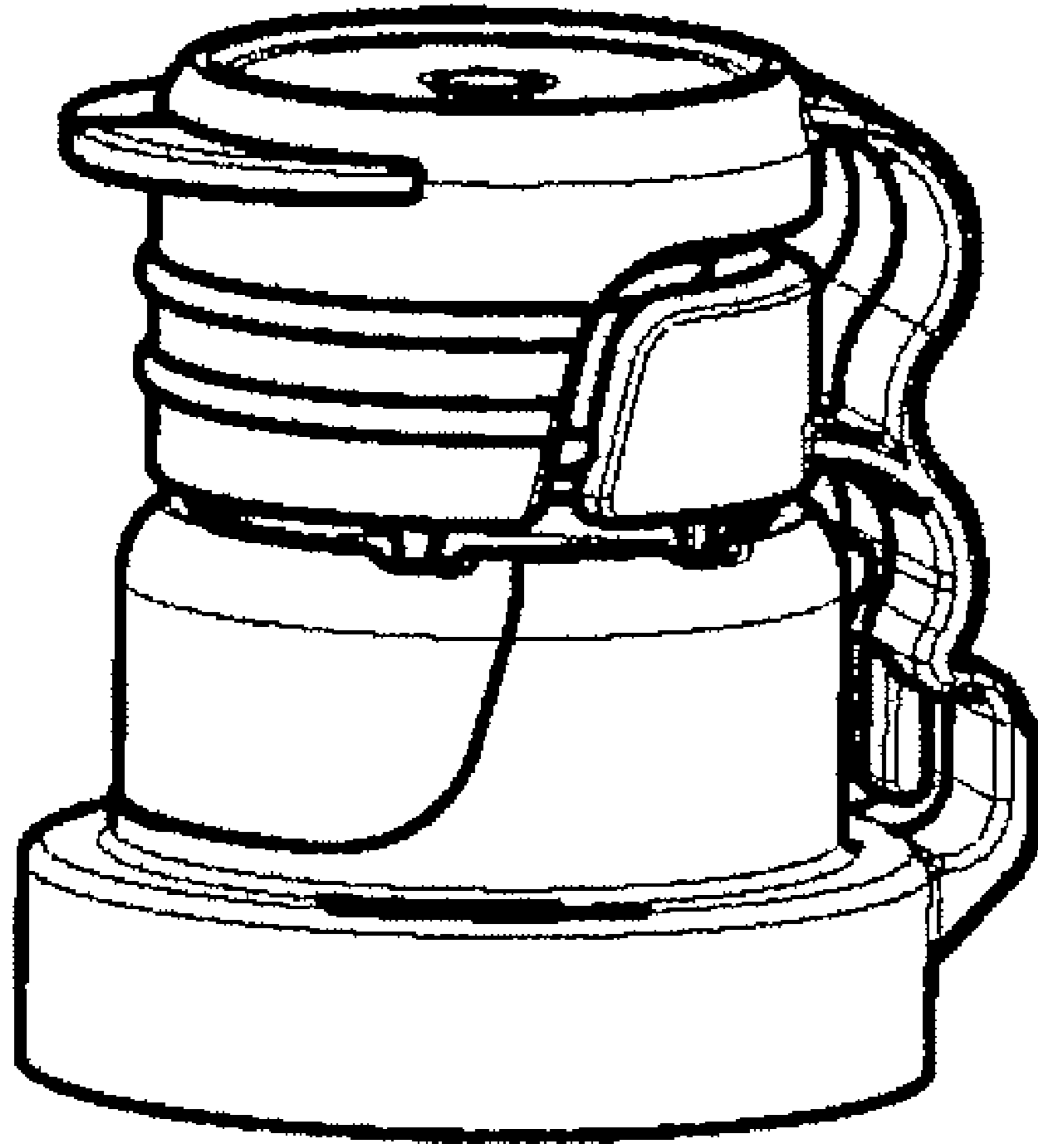


FIG. 1

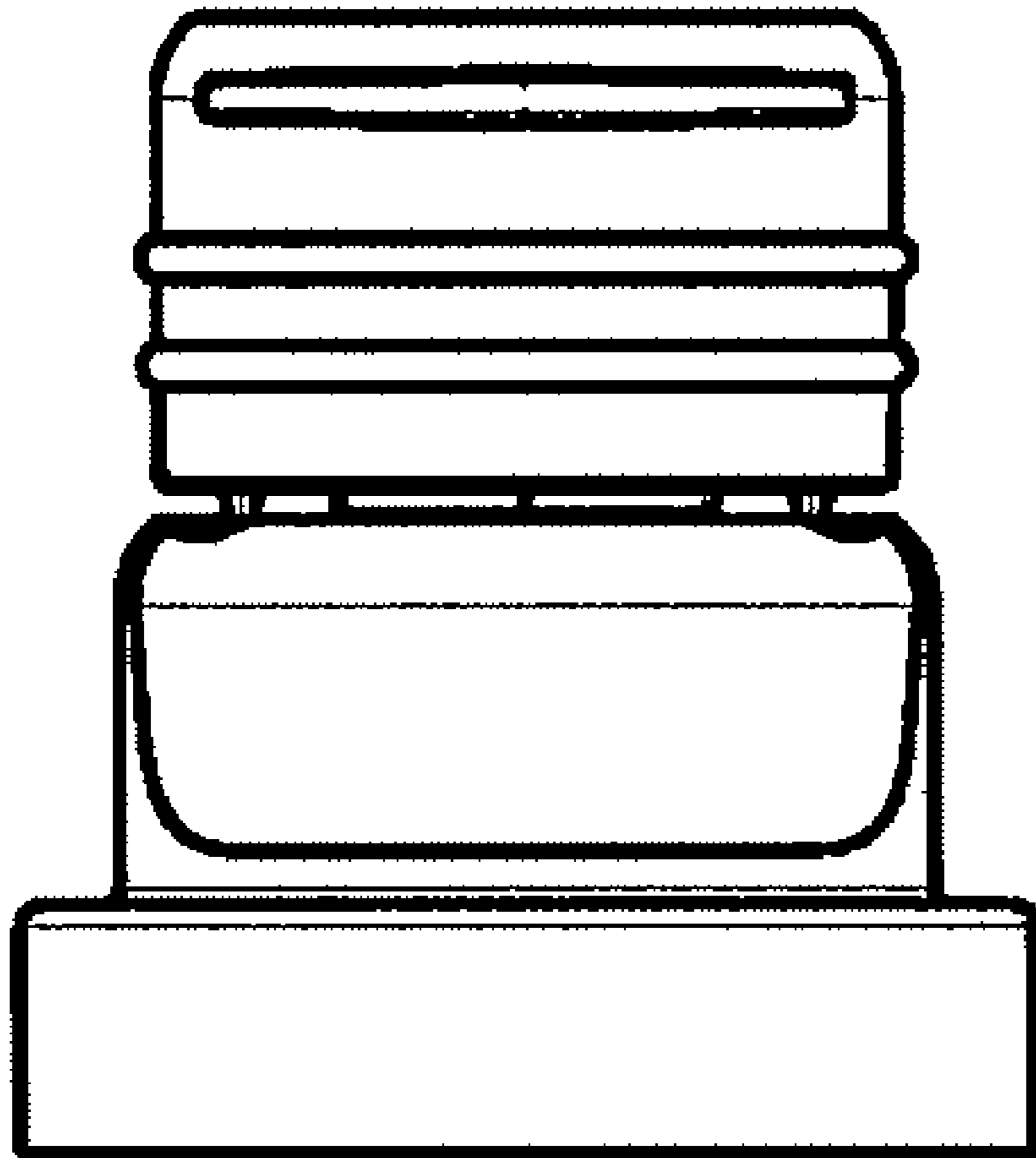


FIG. 2

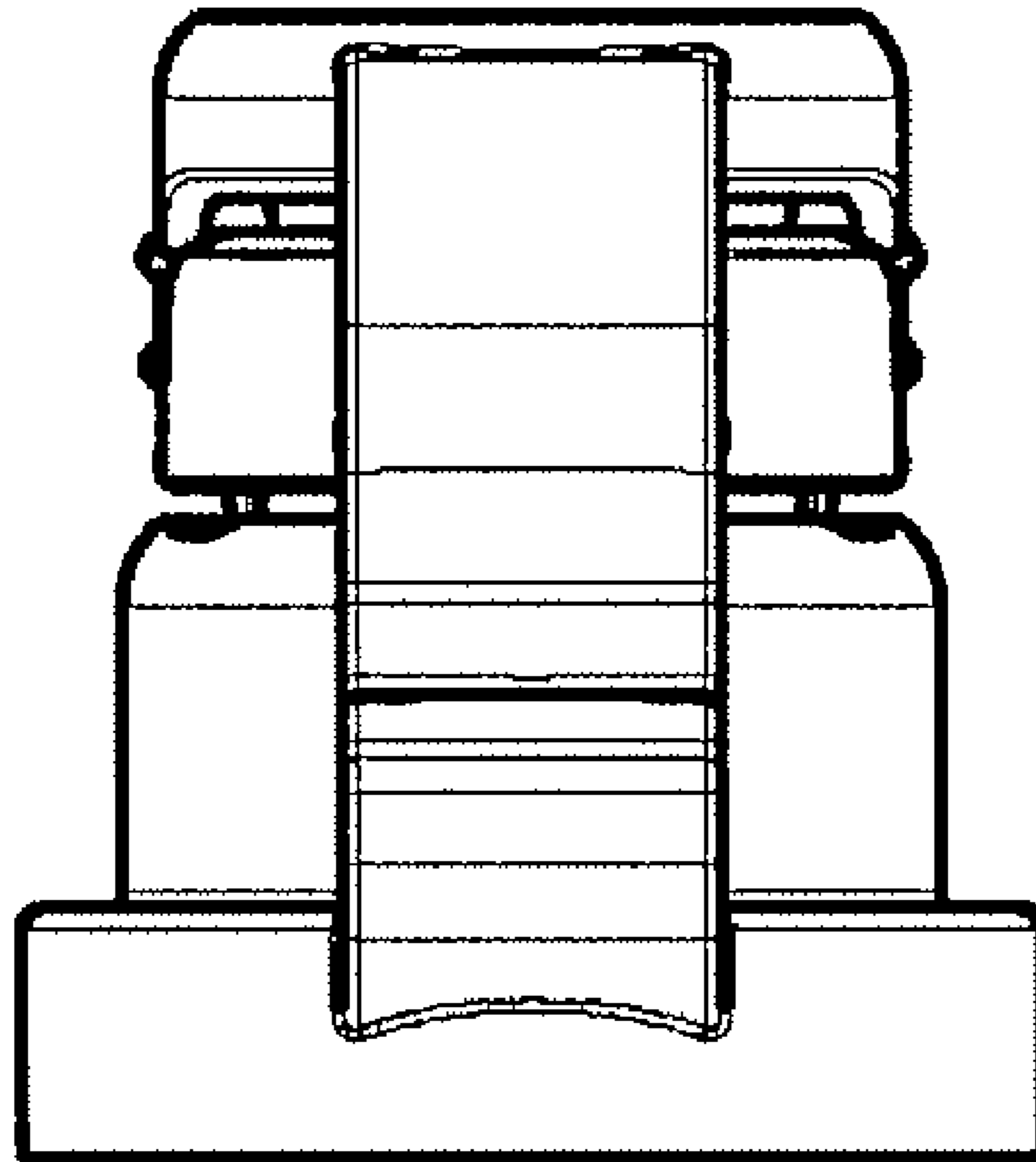


FIG. 3

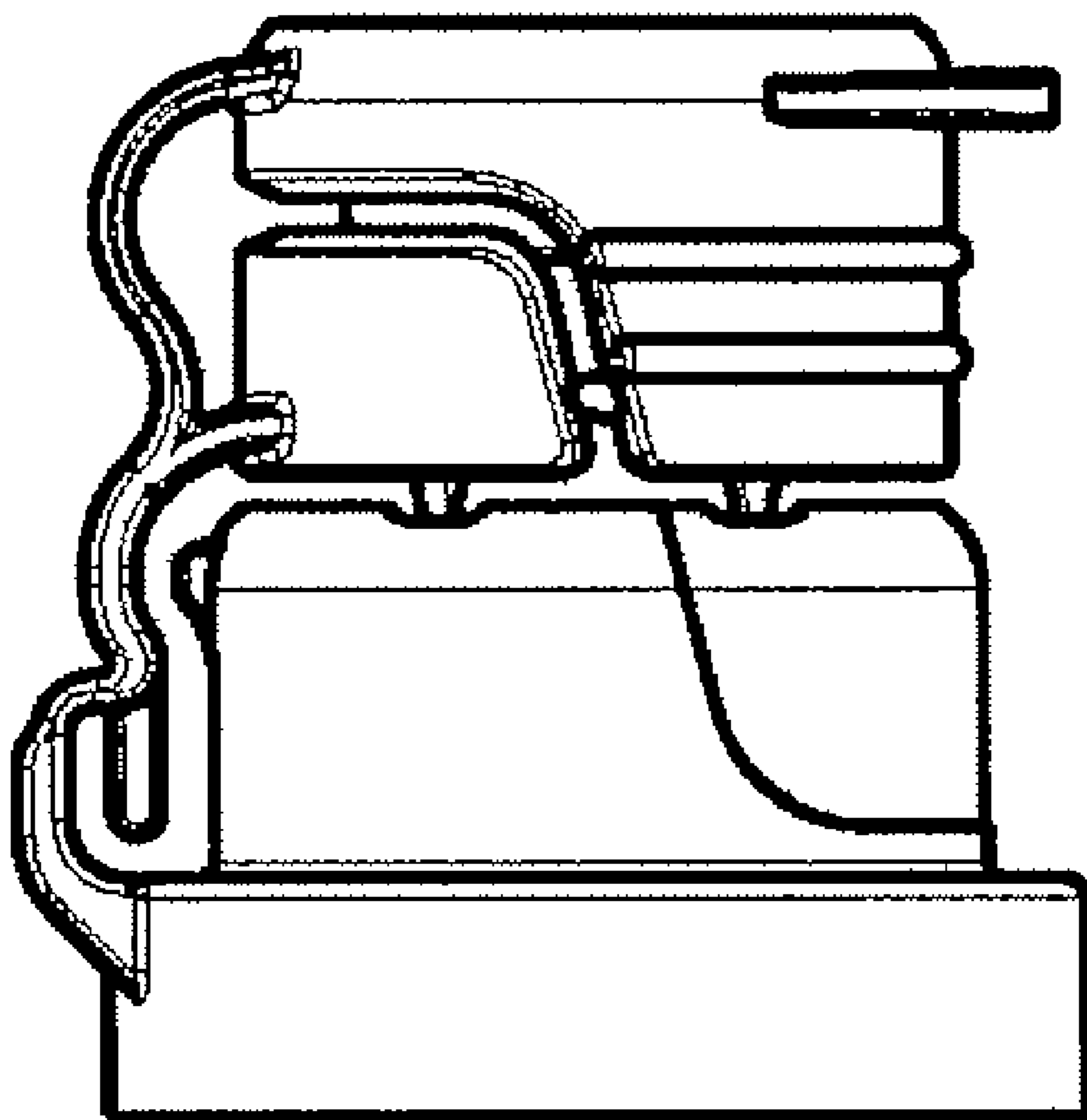


FIG. 4

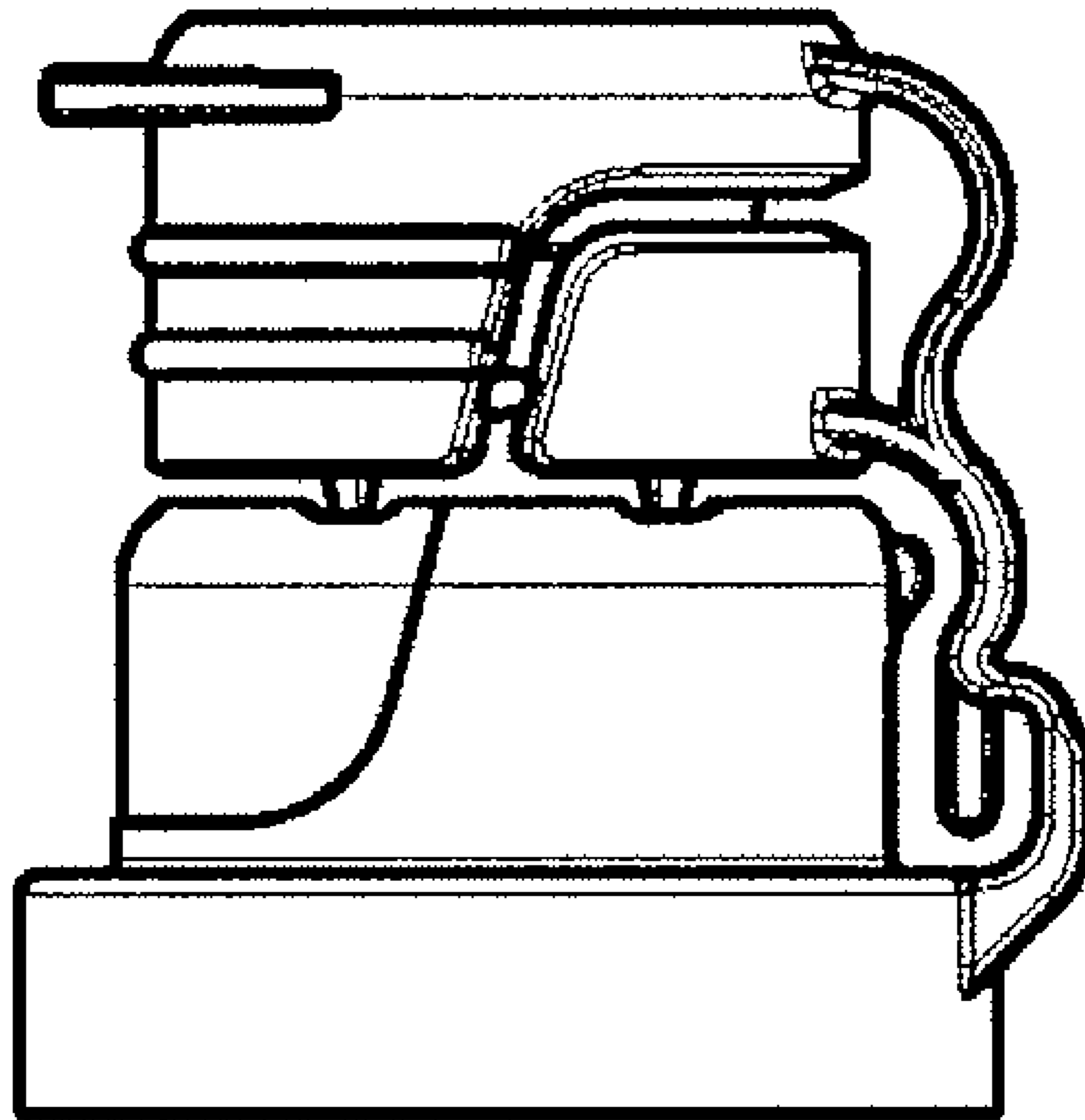


FIG. 5

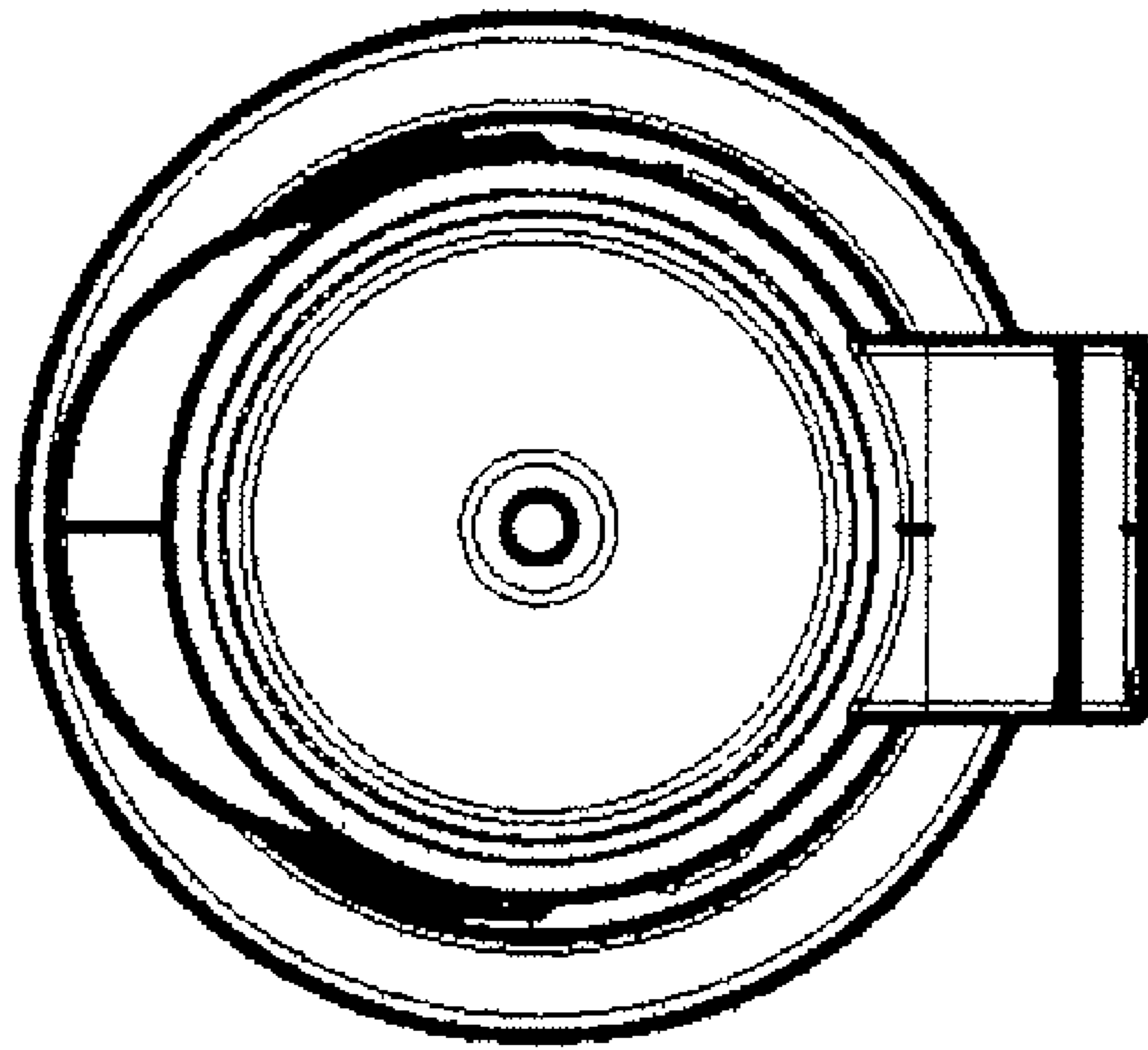


FIG. 6

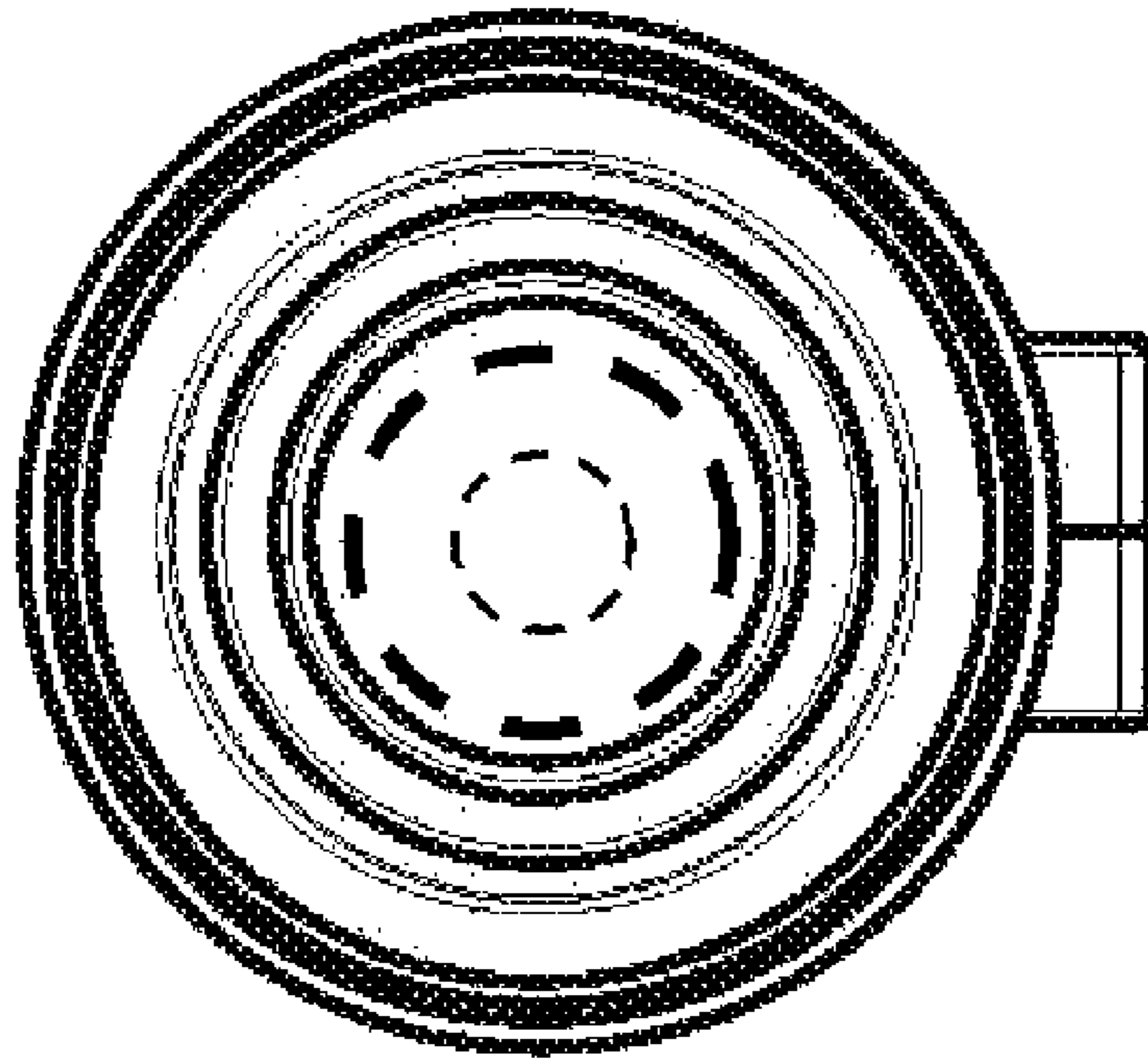


FIG. 7