



US00D584616S

(12) **United States Design Patent**  
**Ribera Turro et al.**

(10) **Patent No.:** **US D584,616 S**  
(45) **Date of Patent:** **\*\* Jan. 13, 2009**

(54) **PUMP HEAD**

(75) Inventors: **Victor Ribera Turro**, Barcelona (ES);  
**Santiago Julian Pidevall**, Barcelona  
(ES)

(73) Assignee: **MeadWestVaco Corporation**, Glen  
Allen, VA (US)

(\*\*) Term: **14 Years**

(21) Appl. No.: **29/280,692**

(22) Filed: **Jun. 5, 2007**

(51) **LOC (9) Cl.** ..... **09-07**

(52) **U.S. Cl.** ..... **D9/448**

(58) **Field of Classification Search** ..... D9/754,  
D9/753, 752, 741, 728, 724, 697, 695, 529,  
D9/524, 516, 454, 447, 445, 444, 442, 443,  
D9/440, 439, 435, 434, 441, 686-693, 448,  
D9/438; D7/679, 590-597, 511, 510, 401.1,  
D7/398; 241/169, 169.1, 168; 229/906.1;  
222/567, 566, 545, 482, 480, 356, 151, 149,  
222/142.1-142.9, 635, 494, 491; 220/713,  
220/254.1, 703, 269, 200, 234, 295, 304,  
220/310.1, 378, 795, 804, 849, DIG. 19,  
220/DIG. 4, DIG. 7, 915; D23/260, 259;  
215/200, 231, 234, 364, DIG. 1; D24/216,  
D24/222, 224, 231; D19/57, 43; D28/7,  
D28/57

See application file for complete search history.

(56) **References Cited**

**U.S. PATENT DOCUMENTS**

D168,165 S \* 11/1952 Lutx ..... D7/398

D191,694 S \* 11/1961 Blitz ..... D9/448  
D203,079 S \* 11/1965 Clevenger ..... D9/448  
D219,125 S \* 11/1970 Gortz ..... D9/691  
D234,342 S \* 2/1975 Schick ..... D9/436  
D235,315 S \* 6/1975 Kotuby ..... D9/448  
D316,972 S \* 5/1991 Law et al. .... D9/448  
D389,407 S \* 1/1998 Mascitelli ..... D9/448  
D505,326 S \* 5/2005 Costa ..... D9/448

\* cited by examiner

*Primary Examiner*—Susan B Hattan

(57) **CLAIM**

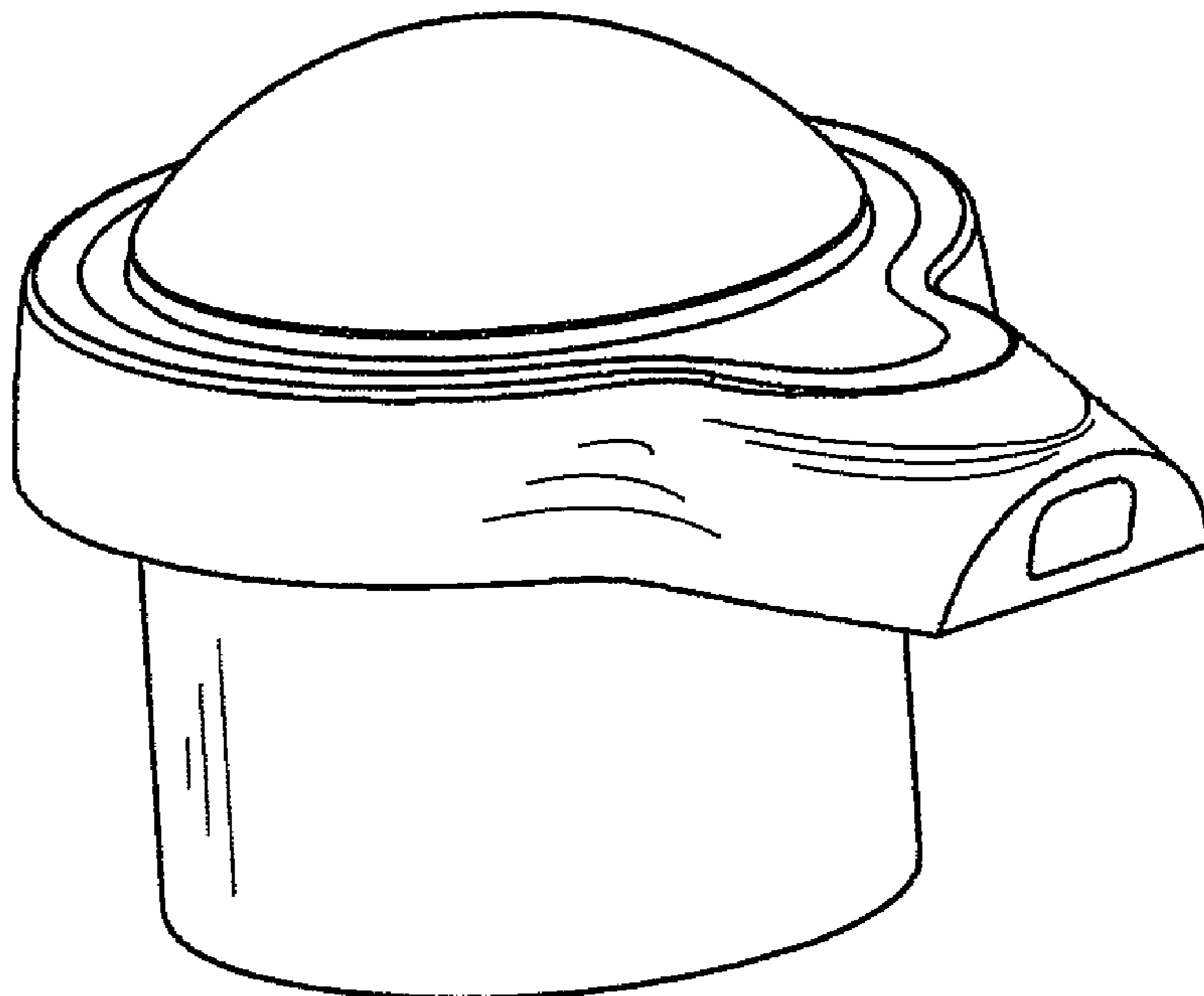
The ornamental design for a pump head, as shown and described.

**DESCRIPTION**

FIG. 1 illustrates a right side view of a pump head;  
FIG. 2 illustrates a left side view of the pump head of FIG. 1;  
FIG. 3 illustrates a bottom view of the pump head of FIG. 1;  
FIG. 4 illustrates a top view of the pump head of FIG. 1;  
FIG. 5 illustrates a front view of the pump head of FIG. 1;  
FIG. 6 illustrates a rear view of the pump head of FIG. 1;  
FIG. 7 illustrates a perspective view of the pump head of FIG. 1; and,  
FIG. 8 illustrates a perspective view of the pump head of FIG. 1.

The broken lines in the drawings are for illustrative purposes only and form no part of the claimed design.

**1 Claim, 4 Drawing Sheets**



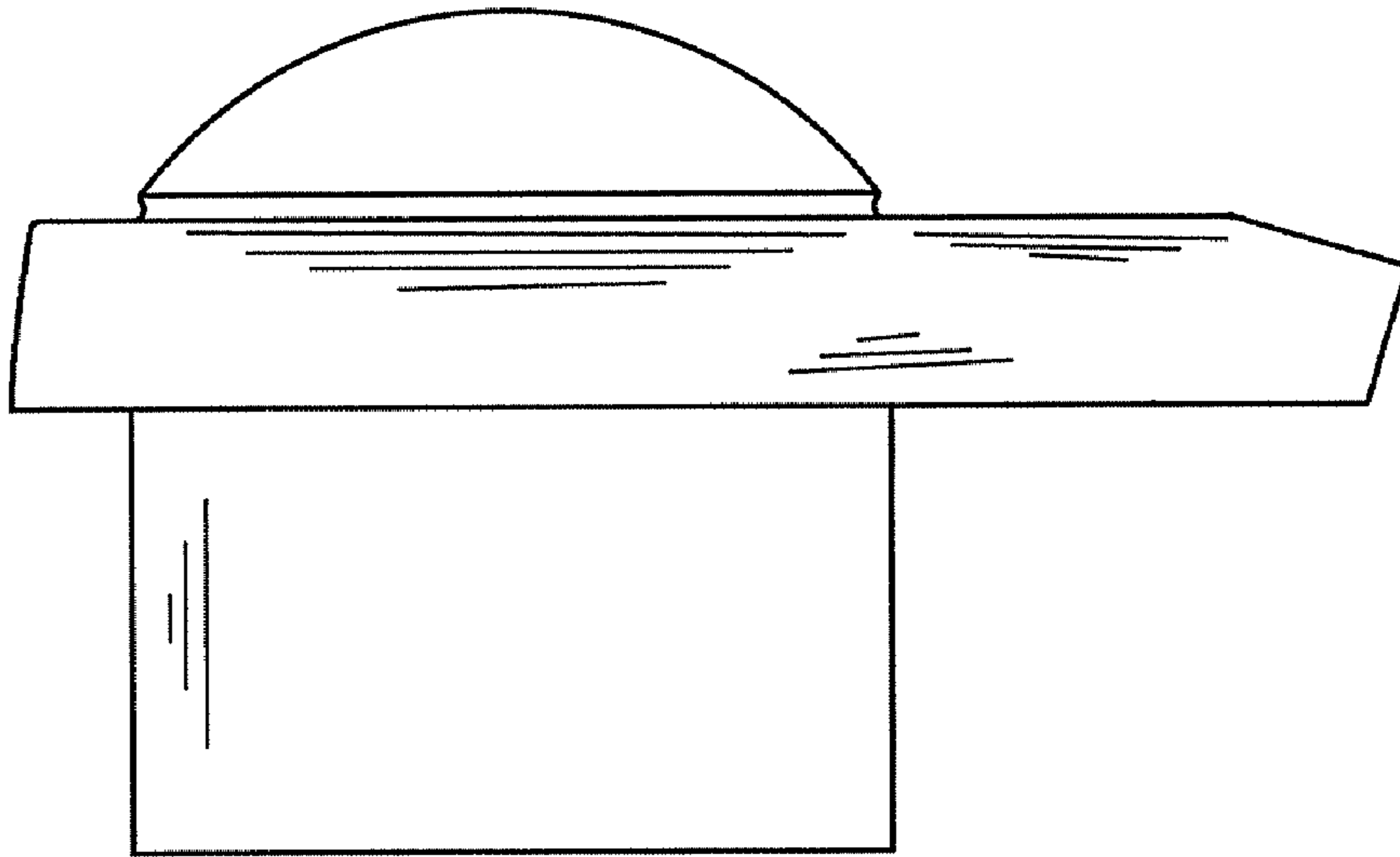


FIG. 1

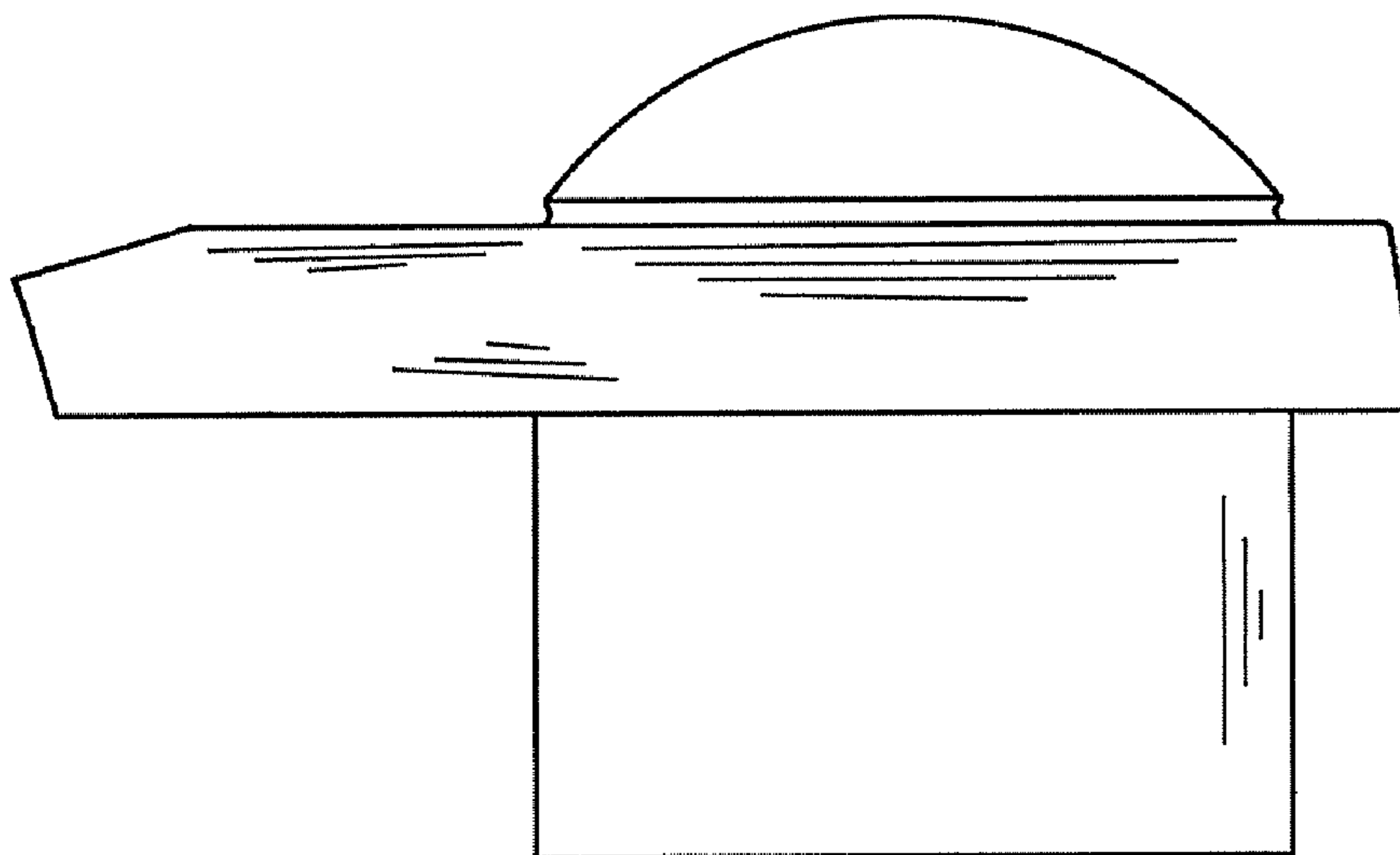


FIG. 2

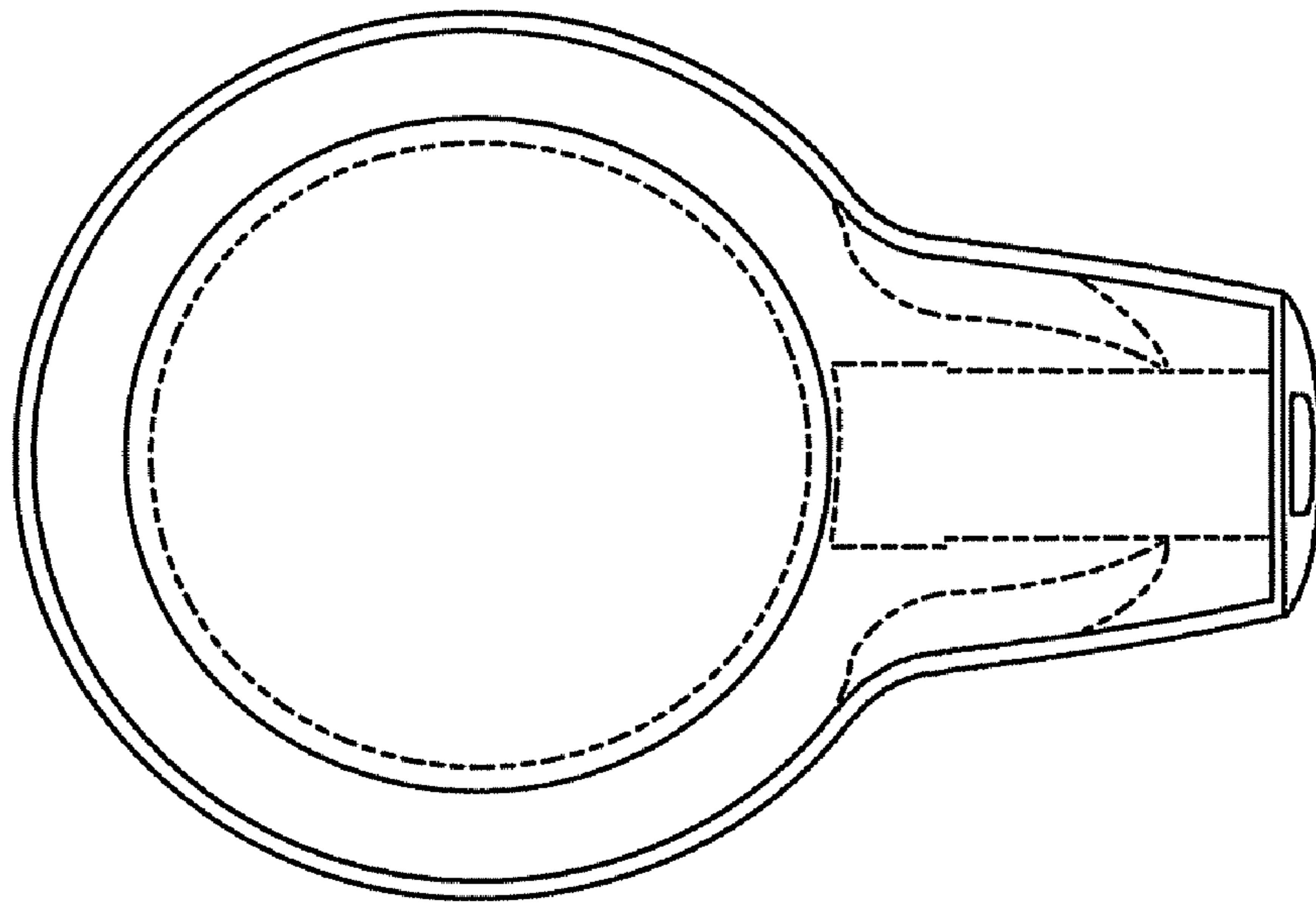


FIG. 3

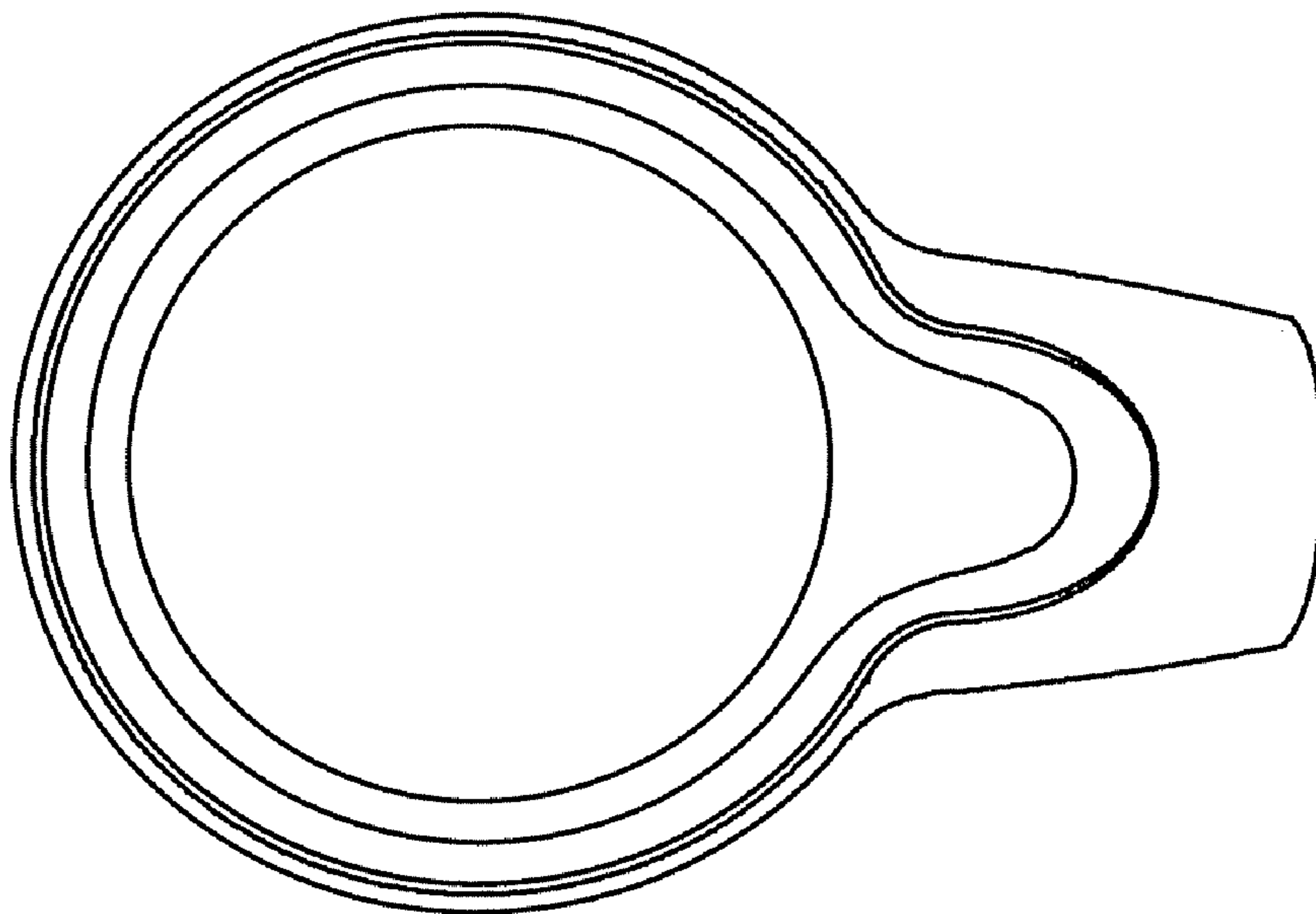


FIG. 4

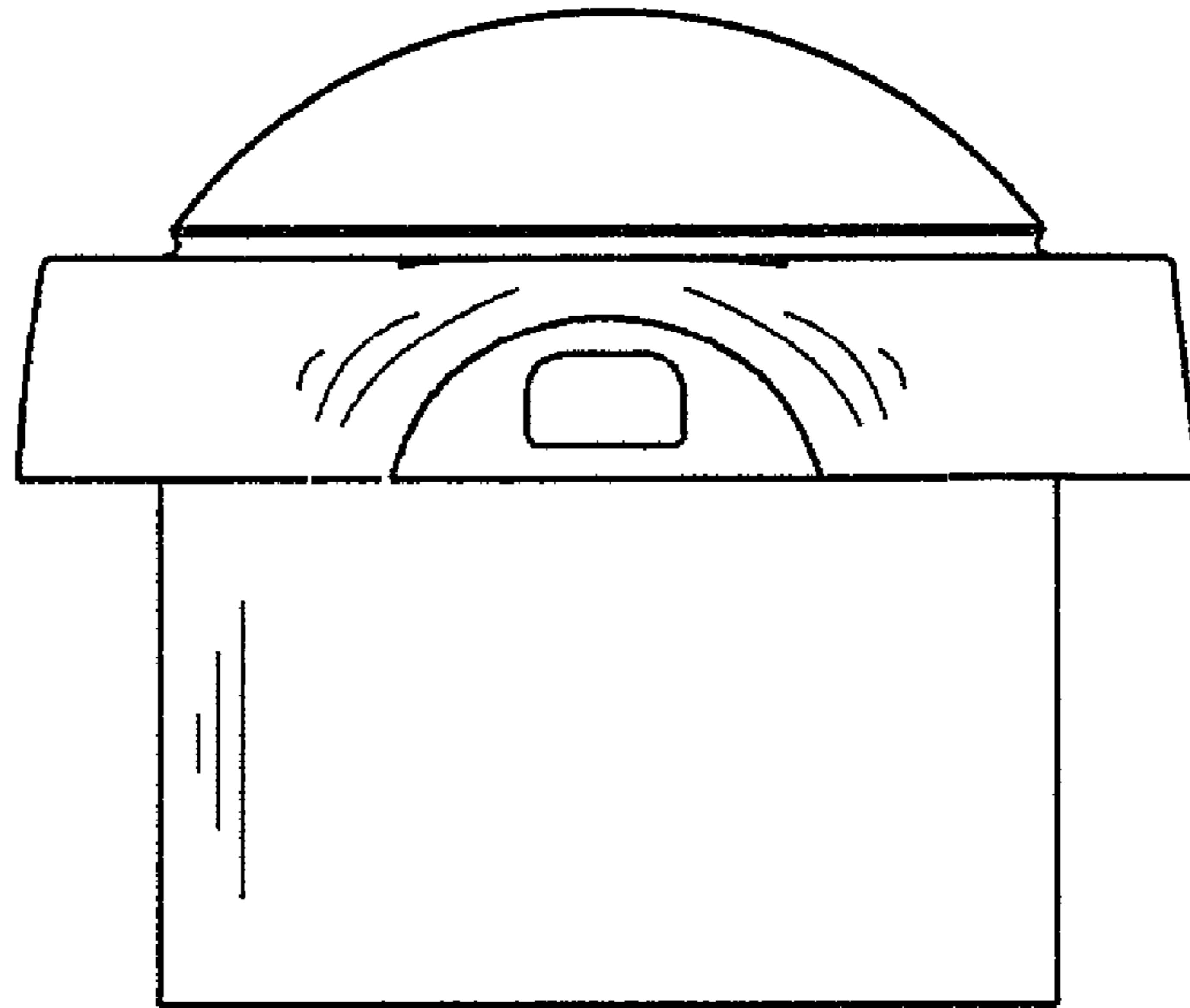


FIG. 5

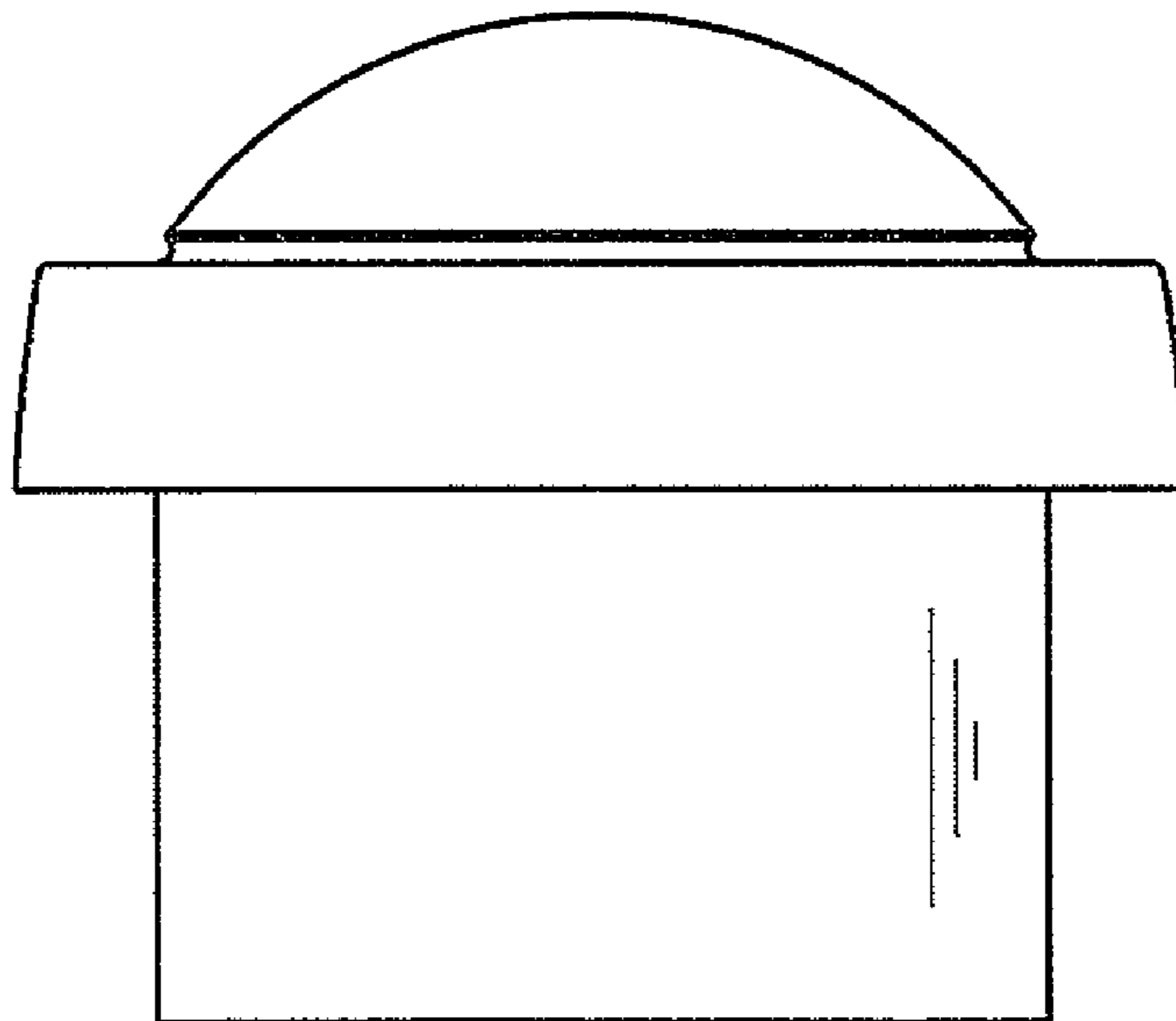


FIG. 6

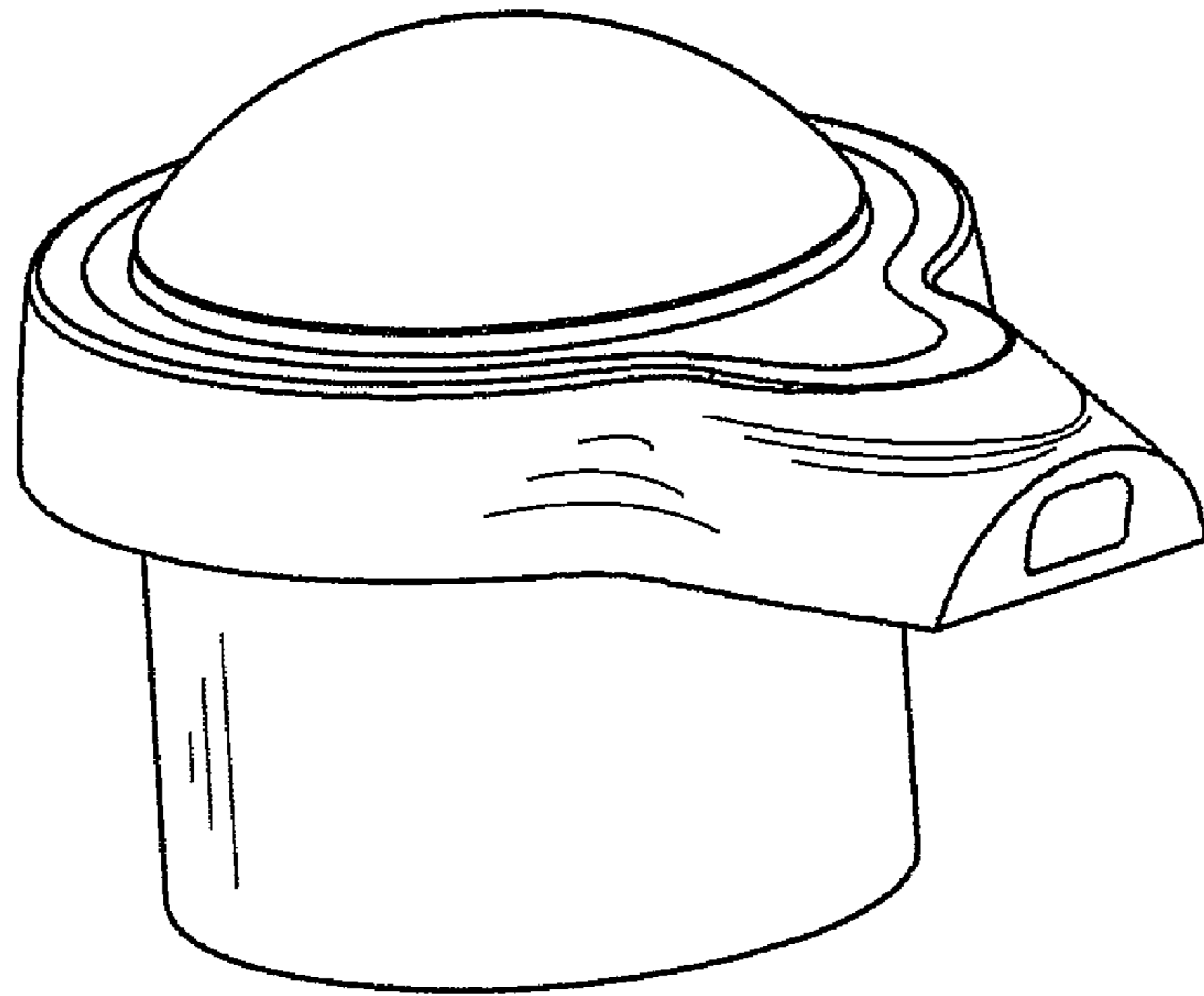


FIG. 7

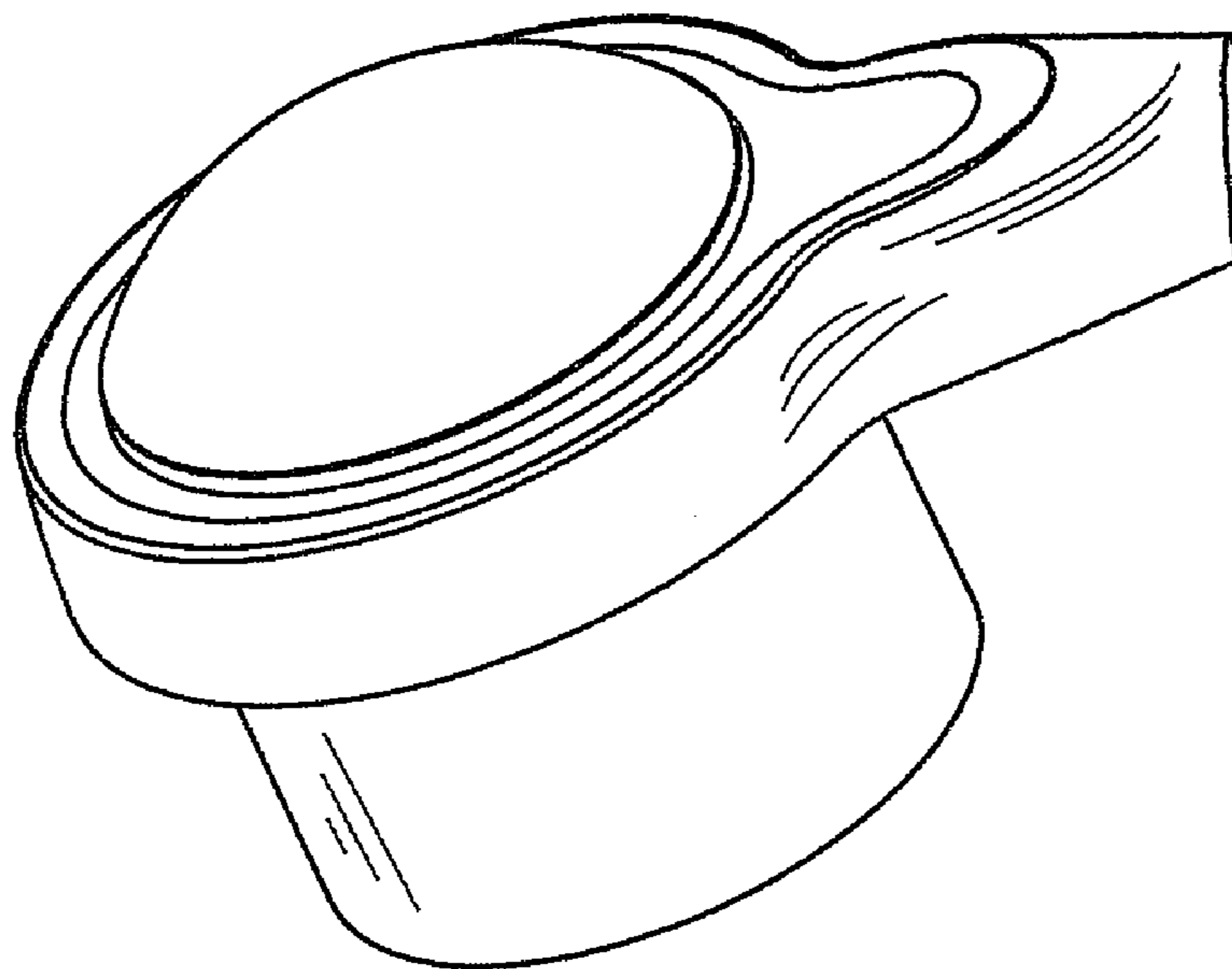


FIG. 8