



US00D584615S

(12) **United States Design Patent**
Maxwell-Wood

(10) **Patent No.:** **US D584,615 S**
(45) **Date of Patent:** **** Jan. 13, 2009**

(54) **AEROSOL DISPENSER**

(76) Inventor: **Thomas Henley Maxwell-Wood**, 16
Tanners Row, Smith Wharf, Wantage
(GB) OX12 9GT

(**) Term: **14 Years**

(21) Appl. No.: **29/276,538**

(22) Filed: **Jan. 29, 2007**

(30) **Foreign Application Priority Data**

Aug. 10, 2006 (EM) 000573332

(51) **LOC (9) Cl.** **09-07**

(52) **U.S. Cl.** **D9/448; D9/689**

(58) **Field of Classification Search** D9/682-694,
D9/715, 719, 520, 521, 523, 529, 531, 414,
D9/434-436, 444, 445, 448; 220/915; 222/129,
222/173, 182, 183, 191, 192, 635, 286, 321.1,
222/323-327, 401-402.25

See application file for complete search history.

(56) **References Cited**

U.S. PATENT DOCUMENTS

D129,728 S * 9/1941 Bernhardt D9/443
3,237,809 A * 3/1966 Daragan et al. 222/135
3,602,399 A * 8/1971 Litman et al. 222/153.11
D222,800 S * 1/1972 Donoghue D9/688
4,006,841 A * 2/1977 Alticosalian 222/42
4,579,258 A * 4/1986 Brown et al. 222/323

5,746,080 A 5/1998 Hartman et al.
5,832,766 A 11/1998 Hartman et al.
5,938,389 A 8/1999 Shore et al.
5,960,659 A 10/1999 Hartman et al.
5,970,767 A 10/1999 Hartman et al.
D439,841 S * 4/2001 Walther et al. D9/447
6,220,475 B1 4/2001 Nayer et al.
6,581,804 B1 * 6/2003 Ciavarella et al. 222/181.3
6,978,945 B2 * 12/2005 Wong et al. 239/288.5
2006/0049216 A1 * 3/2006 Bromber 222/402.13

* cited by examiner

Primary Examiner—Catherine Tuttle

(74) *Attorney, Agent, or Firm*—Knoble, Yoshida & Dunleavy,
LLC

(57) **CLAIM**

The ornamental design for an “aerosol dispenser,” as shown
and described.

DESCRIPTION

FIG. 1 is a perspective view showing my design;

FIG. 2 is a side elevational view;

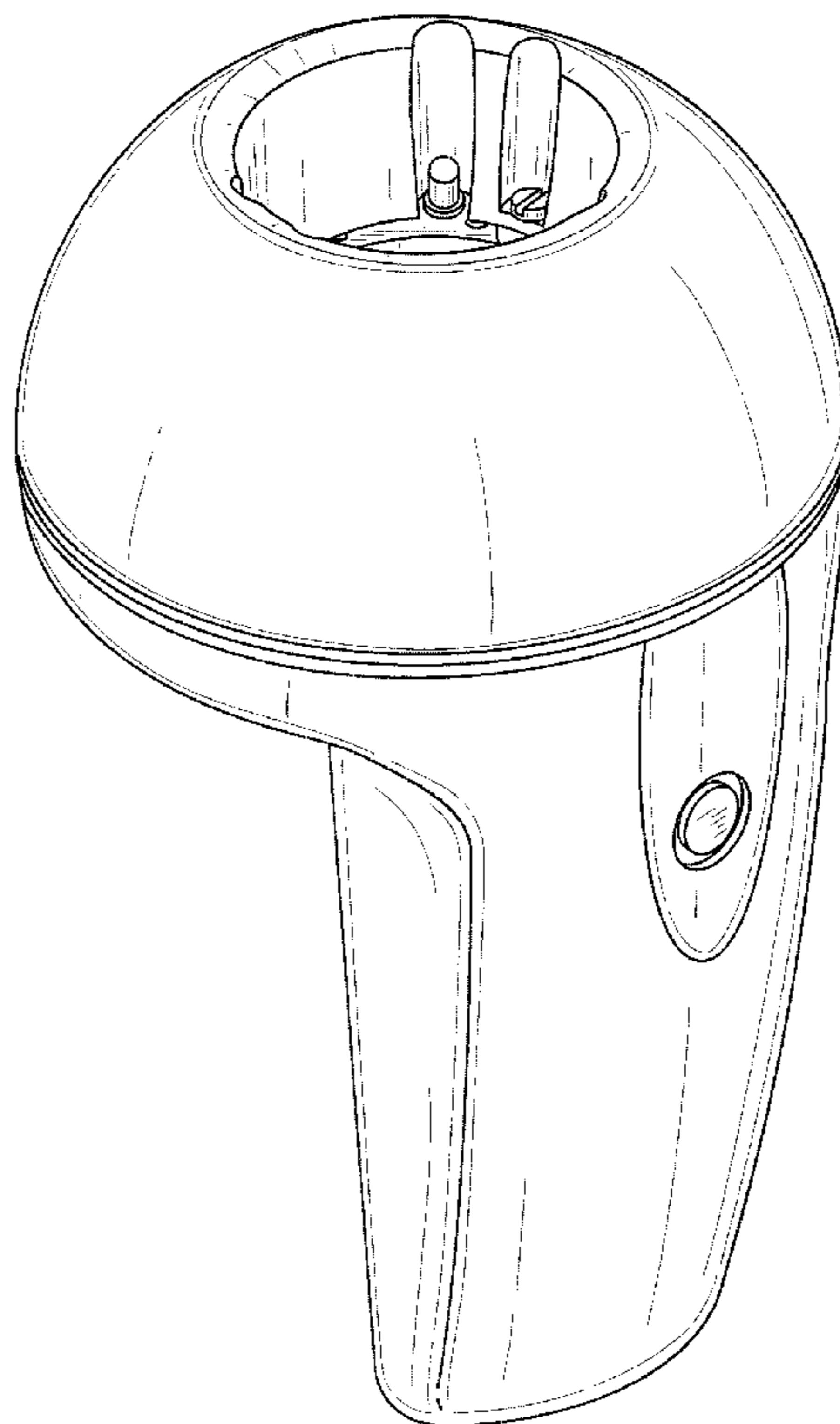
FIG. 3 is a front elevational view;

FIG. 4 is a bottom plan view; and,

FIG. 5 is a top plan view.

The broken lines are included for the purpose of illustrating
portions of the aerosol dispenser that form no part of the
claimed design.

1 Claim, 4 Drawing Sheets



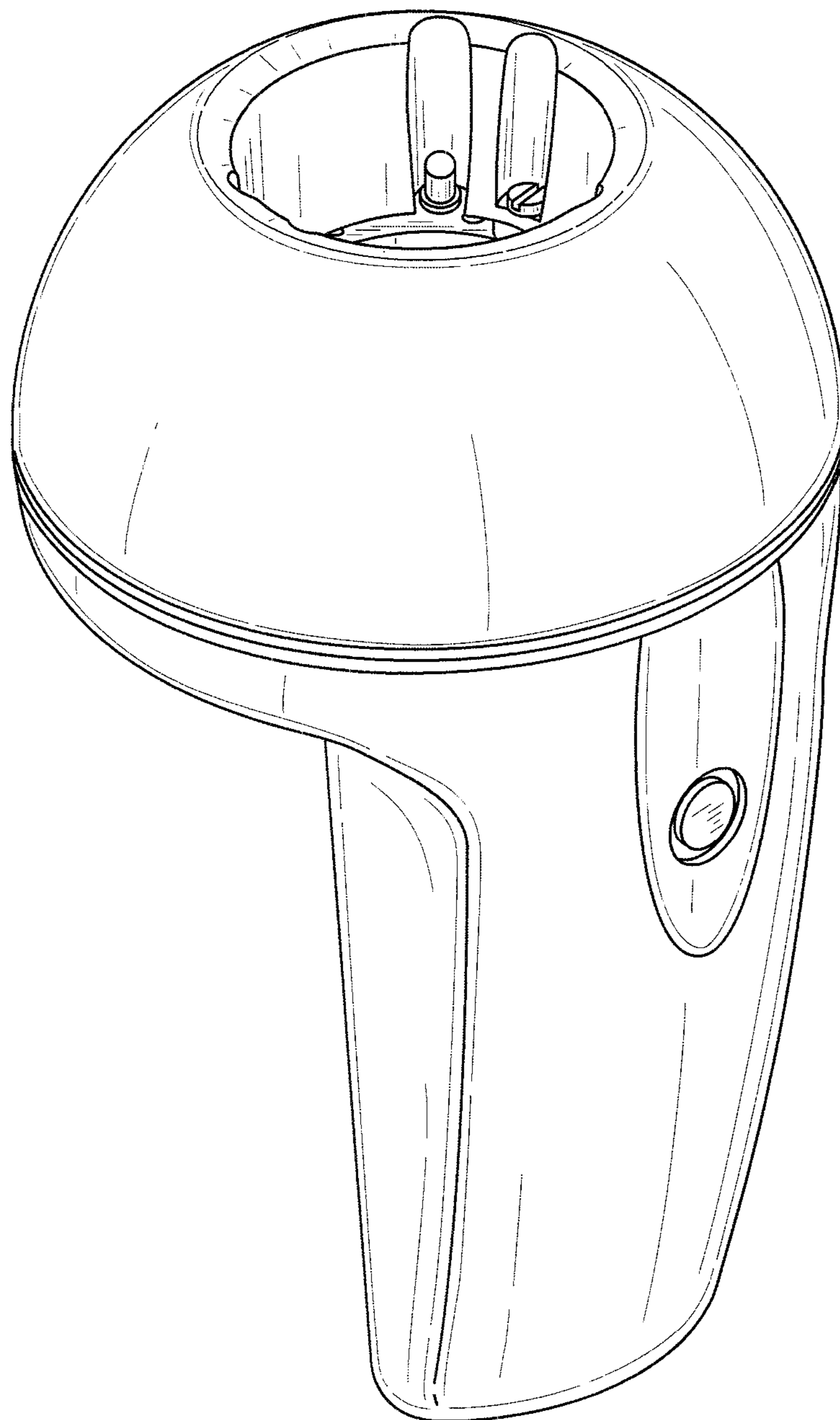


FIG. 1

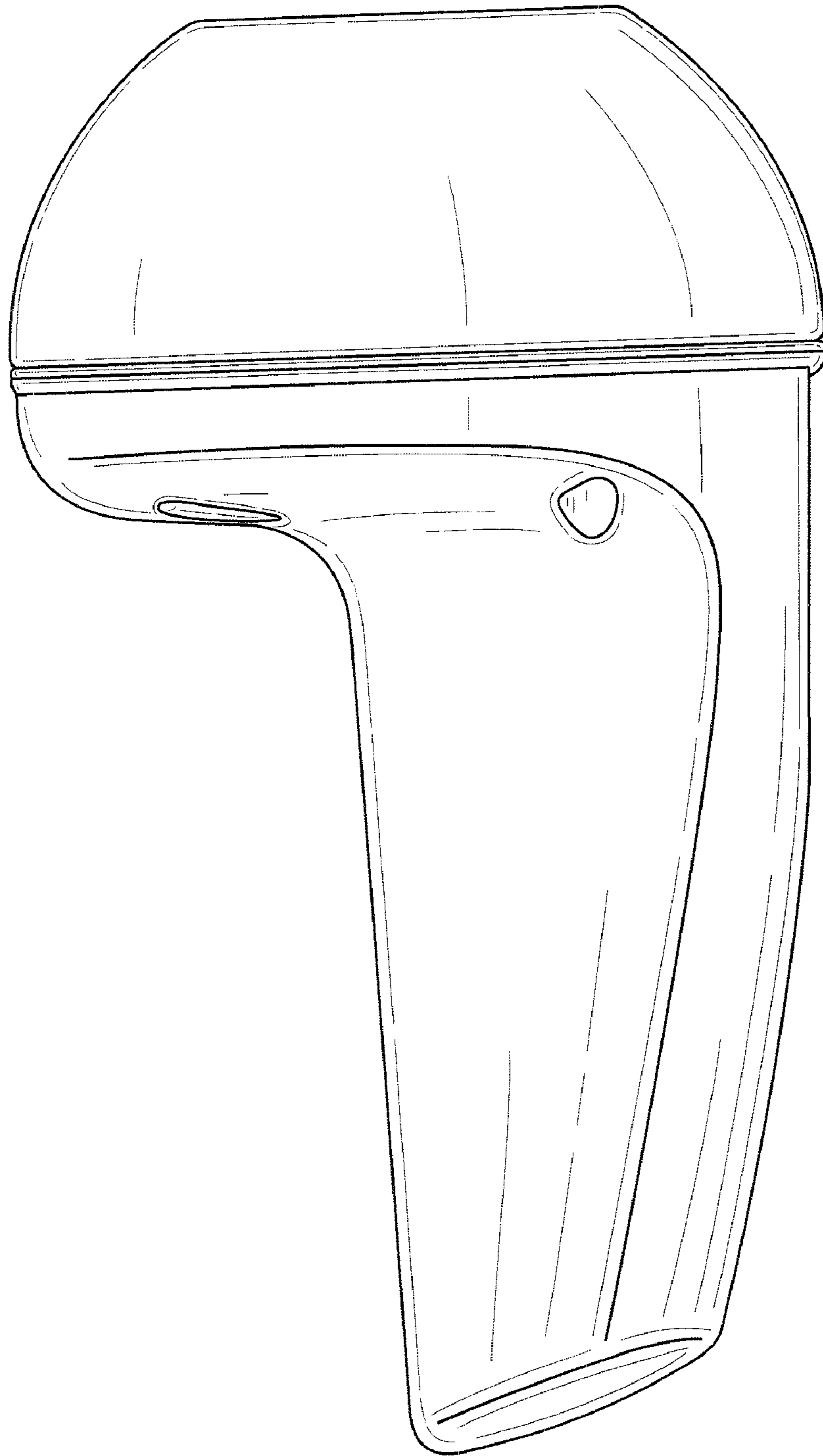


FIG. 2

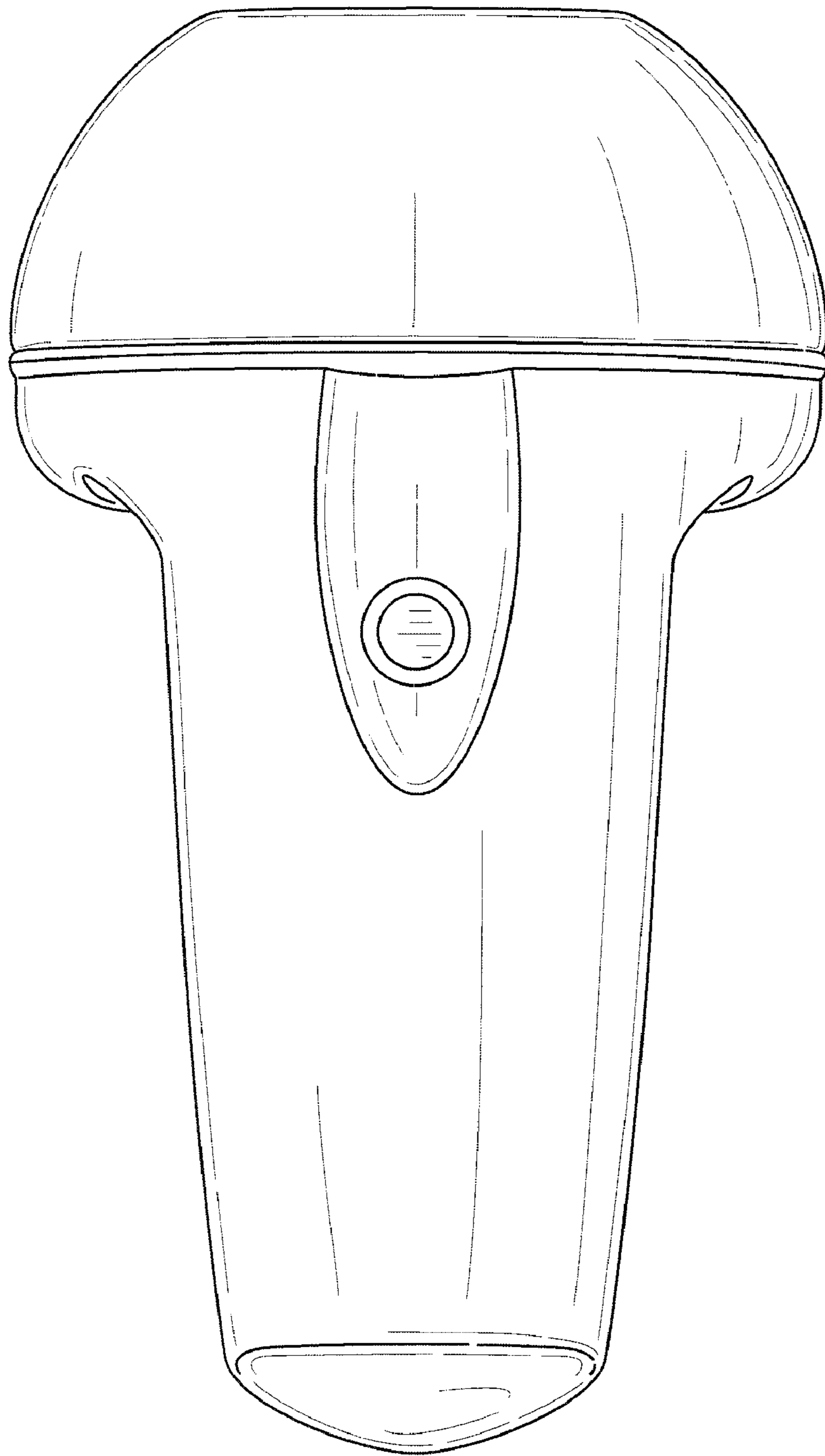


FIG. 3

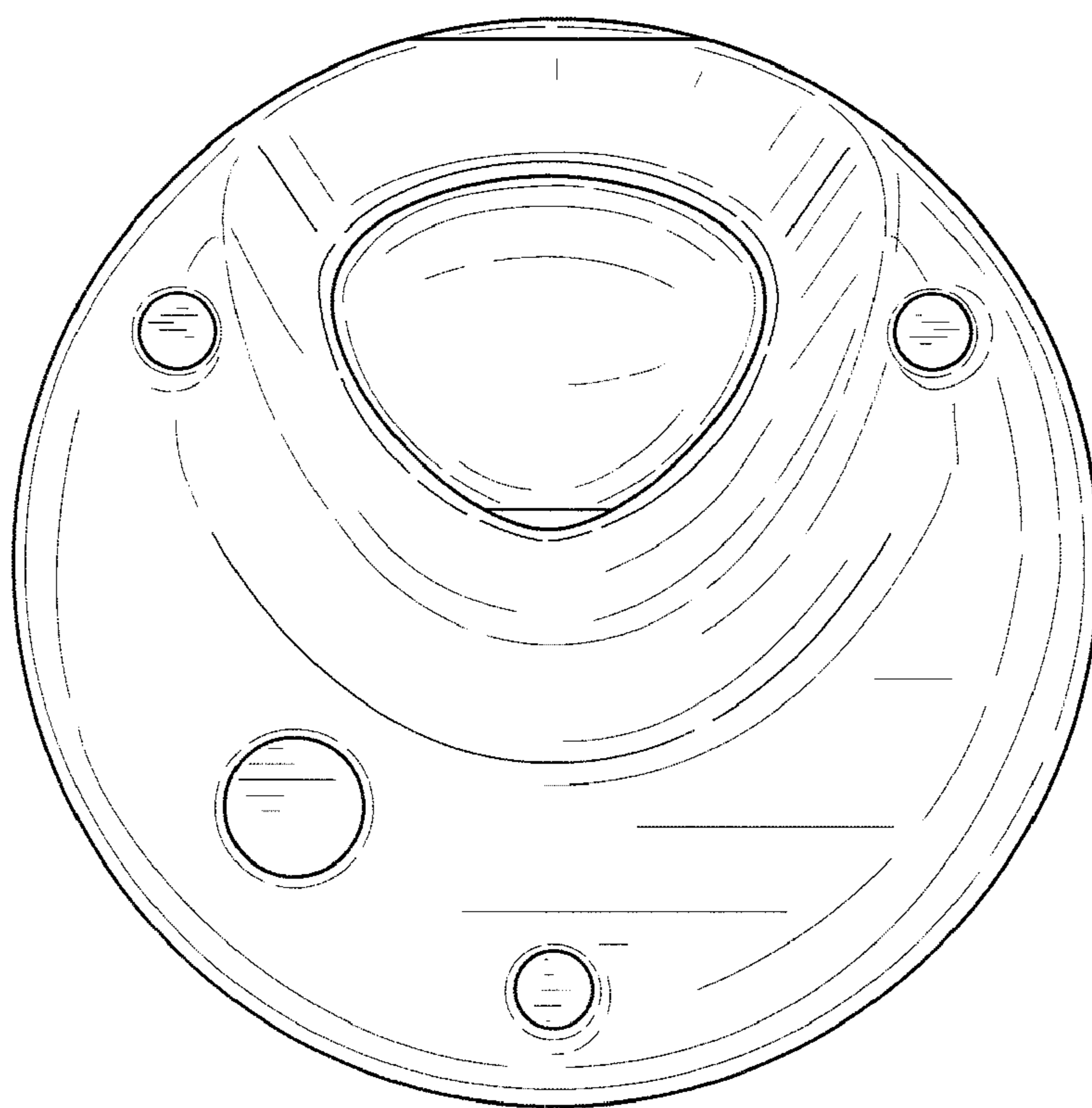


FIG. 4

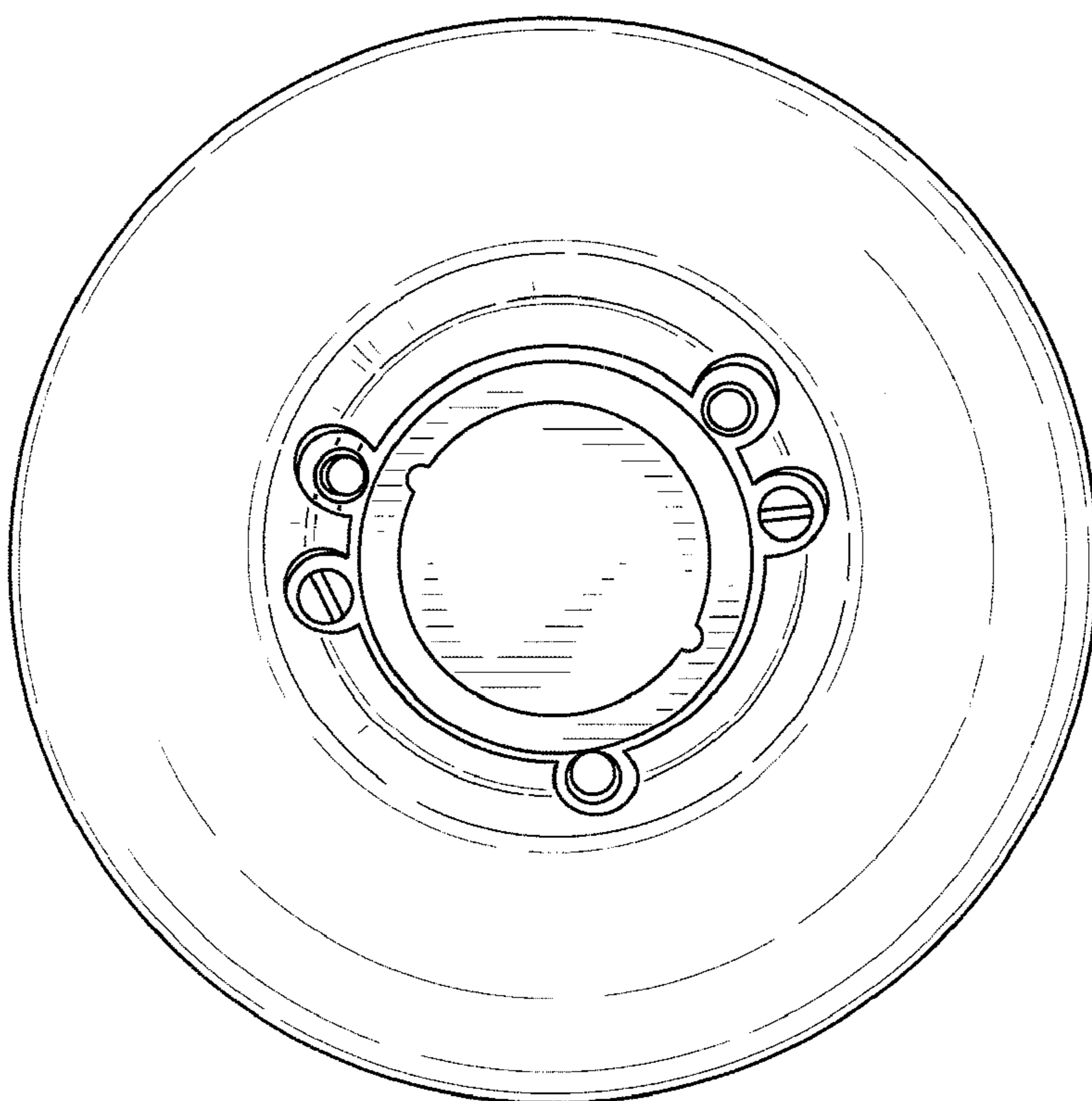


FIG. 5