



US00D584613S

(12) **United States Design Patent**
Yan et al.

(10) **Patent No.:** **US D584,613 S**
(45) **Date of Patent:** **** Jan. 13, 2009**

(54) **CLOSURE ASSEMBLY**

(75) Inventors: **Zhirong Yan**, Guangdong (CN); **Chang Biao Chai**, Shanghai (CN)

(73) Assignee: **Access Business Group International LLC**, Ada, MI (US)

(**) Term: **14 Years**

(21) Appl. No.: **29/286,923**

(22) Filed: **May 22, 2007**

(51) **LOC (9) Cl.** **09-07**

(52) **U.S. Cl.** **D9/438; D9/454; D9/452; D9/449**

(58) **Field of Classification Search** D9/455, D9/453, 452, 445, 444, 443, 438, 436, 435, D9/434; D7/624.3, 624.2, 622, 619.1, 608, D7/607, 392.1, 629, 553.6, 391; 220/903, 220/780; 215/352, 328, 256, 253, 252, 243, 215/237, 228, 223

See application file for complete search history.

(56) **References Cited**

U.S. PATENT DOCUMENTS

- 4,043,475 A * 8/1977 Wheeler 215/223
- D312,044 S * 11/1990 Davis D9/438
- D313,754 S * 1/1991 Pomroy D9/435
- D359,451 S * 6/1995 Dees D9/443
- D371,485 S * 7/1996 Hickey D7/392.1
- 6,226,619 B1 5/2001 Halperin et al.
- D472,145 S * 3/2003 Nottingham et al. D9/443
- 6,935,560 B2 8/2005 Andreasson et al.

- D528,359 S * 9/2006 Laib D7/392.1
- 7,299,937 B2 * 11/2007 Antier et al. 215/237
- 2002/0189667 A1 12/2002 O'Dougherty et al.
- 2003/0004608 A1 1/2003 O'Dougherty et al.
- 2004/0172160 A1 9/2004 O'Dougherty et al.
- 2004/0195306 A1 10/2004 Carlson
- 2005/0110647 A1 5/2005 Ritson
- 2005/0127155 A1 6/2005 Claessens et al.
- 2005/0242957 A1 11/2005 Lindsay et al.

* cited by examiner

Primary Examiner—Susan B Hattan

(74) *Attorney, Agent, or Firm*—Brinks Hofer Gilson & Lione

(57) **CLAIM**

We claim the ornamental design for a closure assembly, as shown and described.

DESCRIPTION

FIG. 1 is a perspective view of a closure assembly of the present invention attached to an illustrative bottle;

FIG. 2 is a first side view thereof;

FIG. 3 is a second side view thereof;

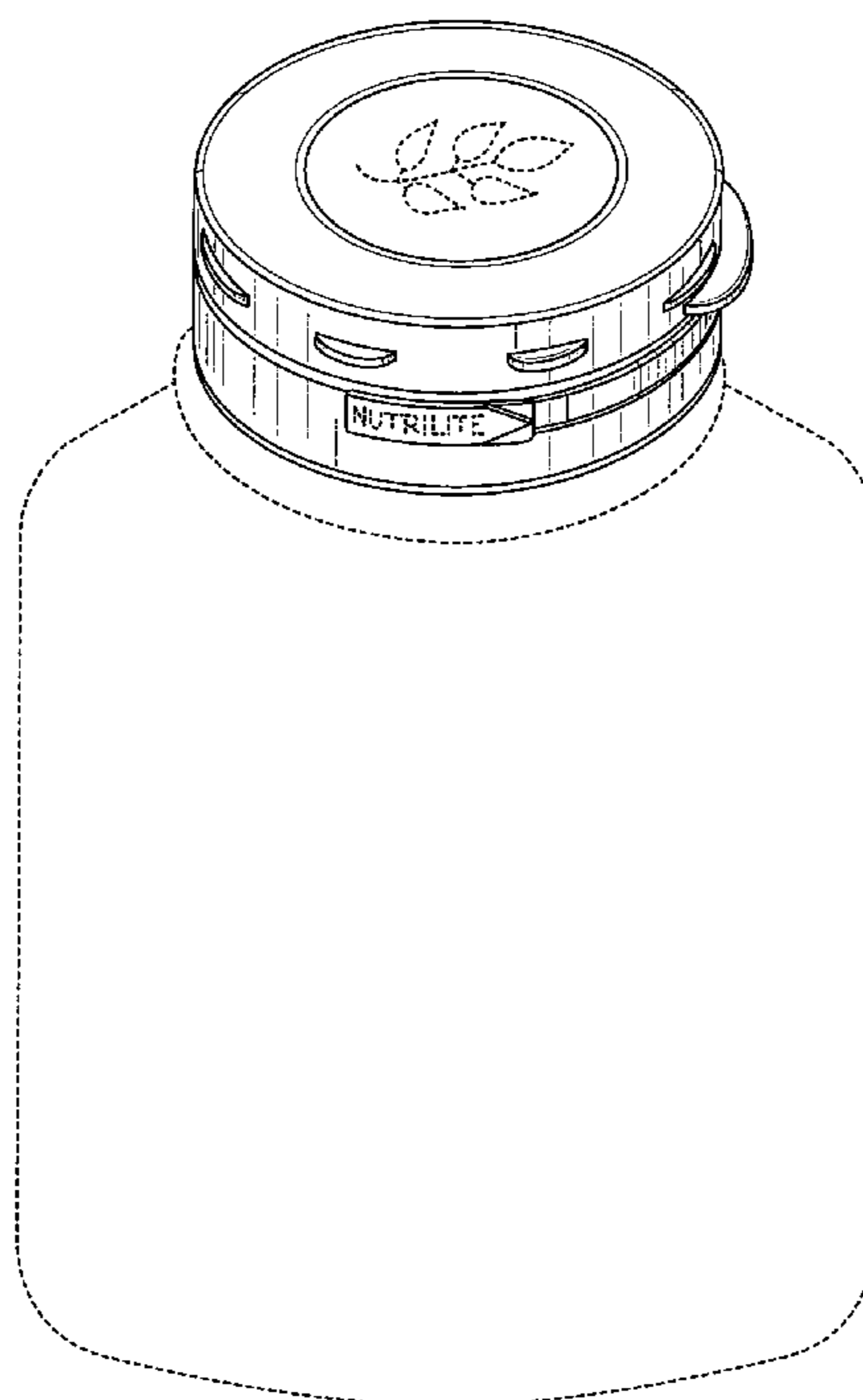
FIG. 4 is a top view of a closure assembly of the present invention;

FIG. 5 is a front view thereof; and,

FIG. 6 is a rear view thereof.

The broken line showing of indicia on top of the closure assembly and a container attached to the closure assembly depict environmental subject matter only and form no part of the claimed design.

1 Claim, 4 Drawing Sheets



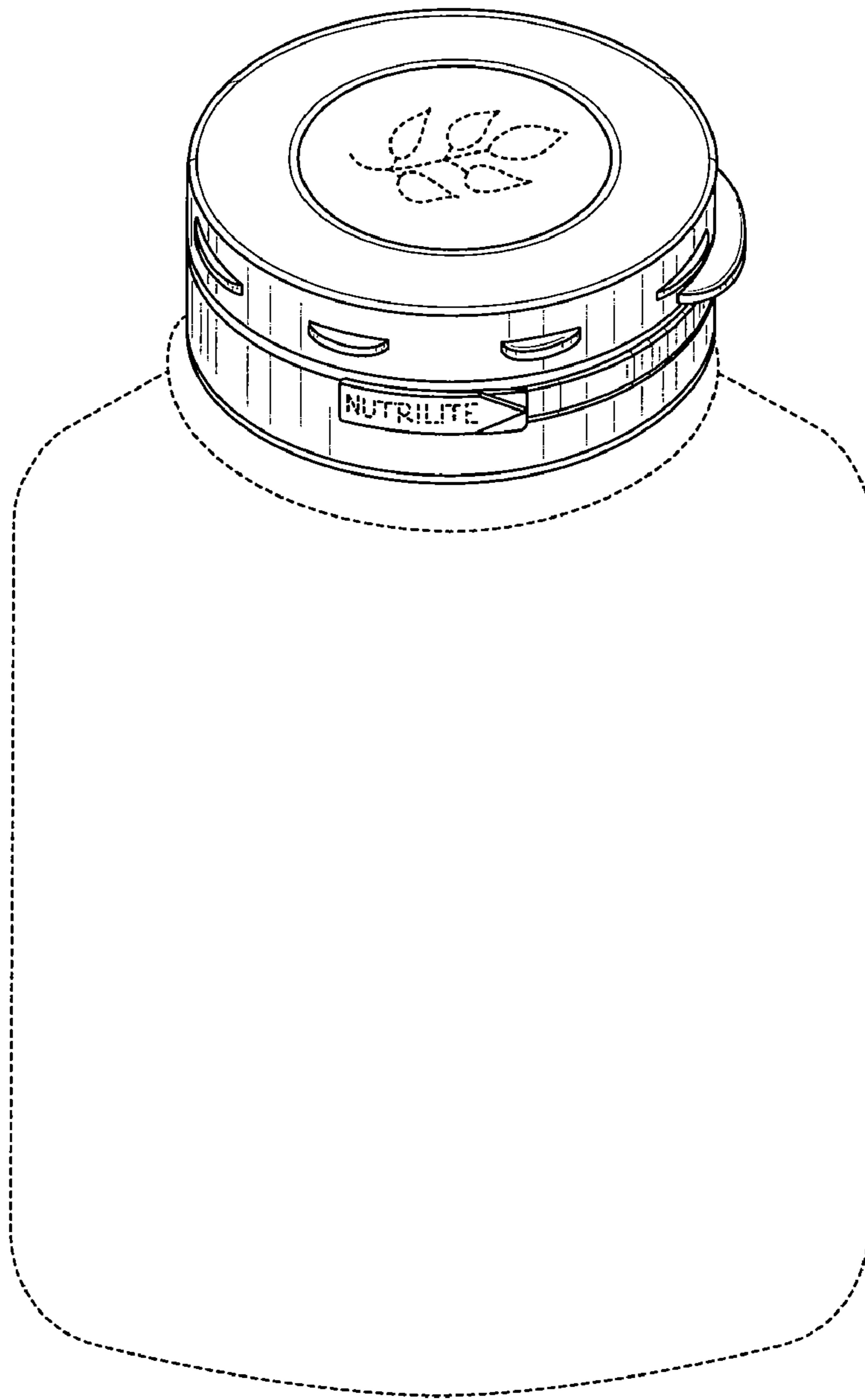


Fig. 1

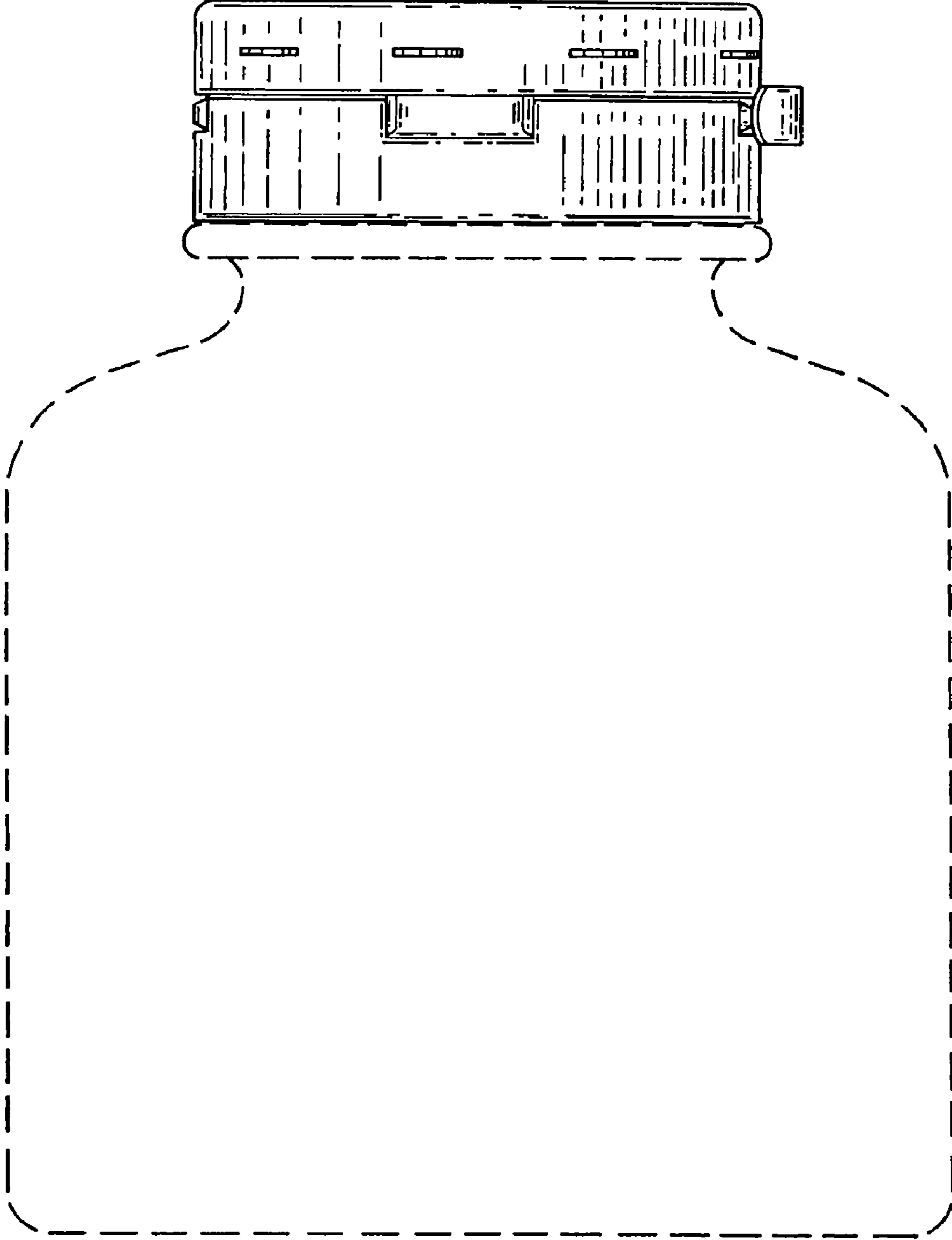


Fig. 2

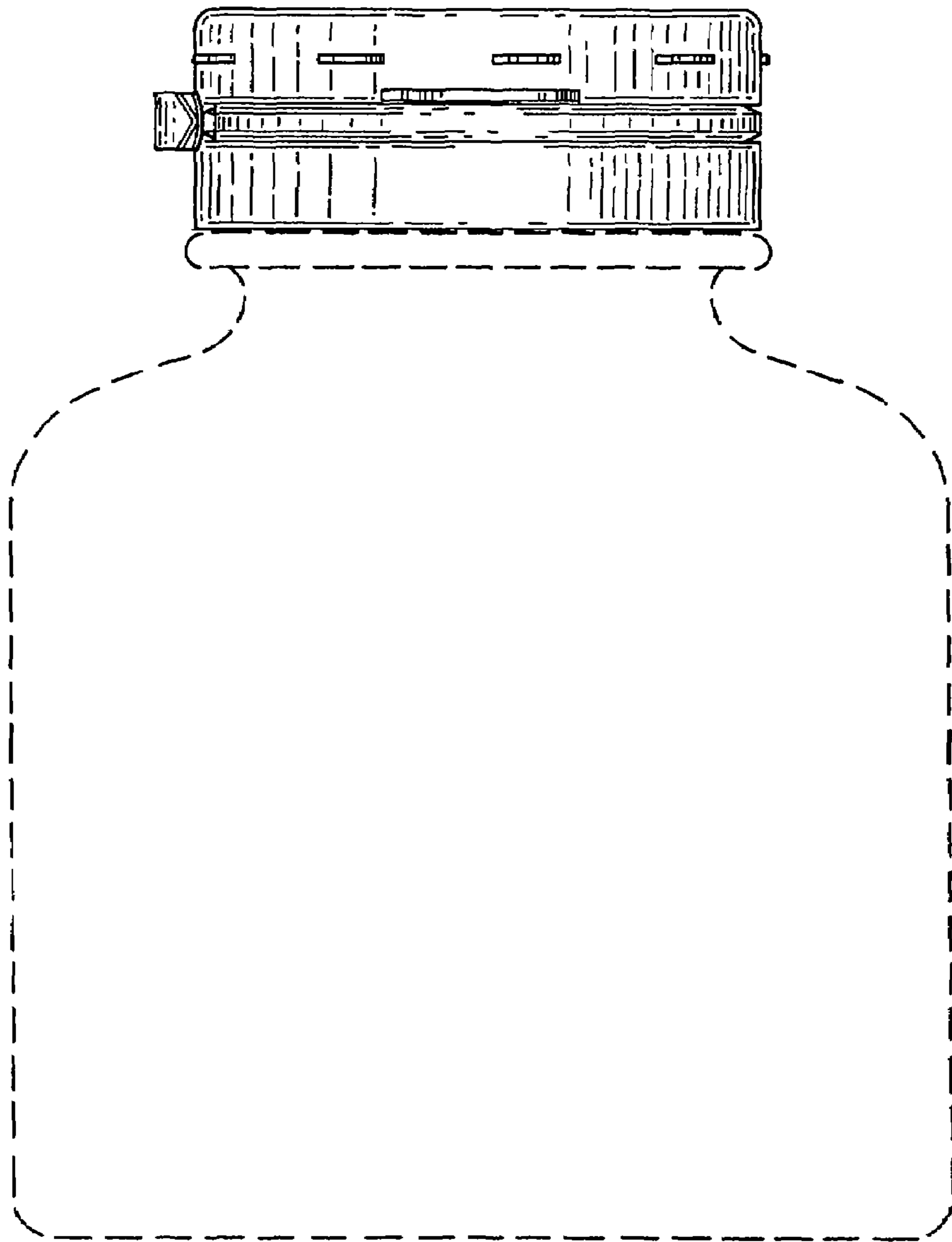


Fig. 3

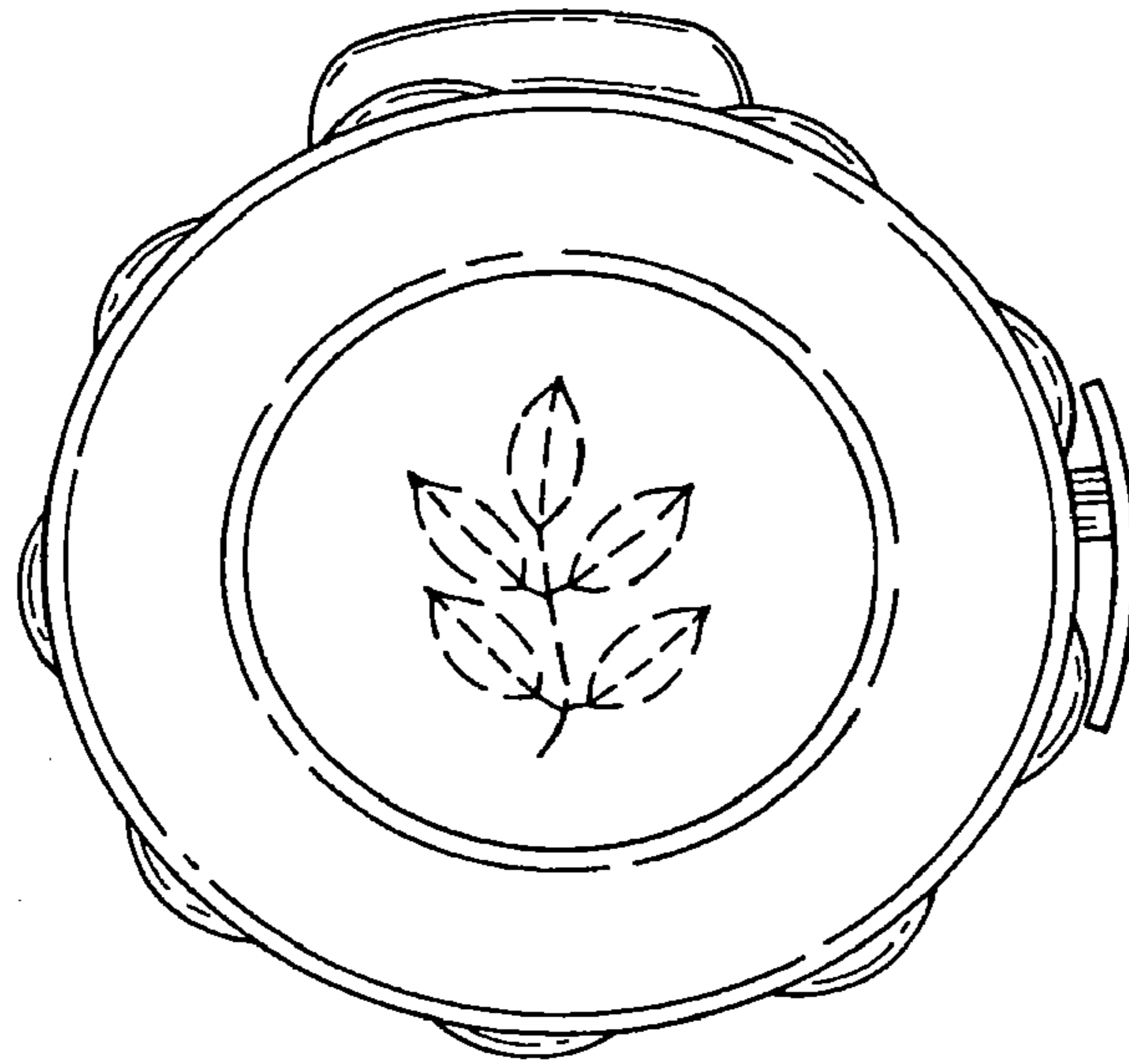


Fig. 4

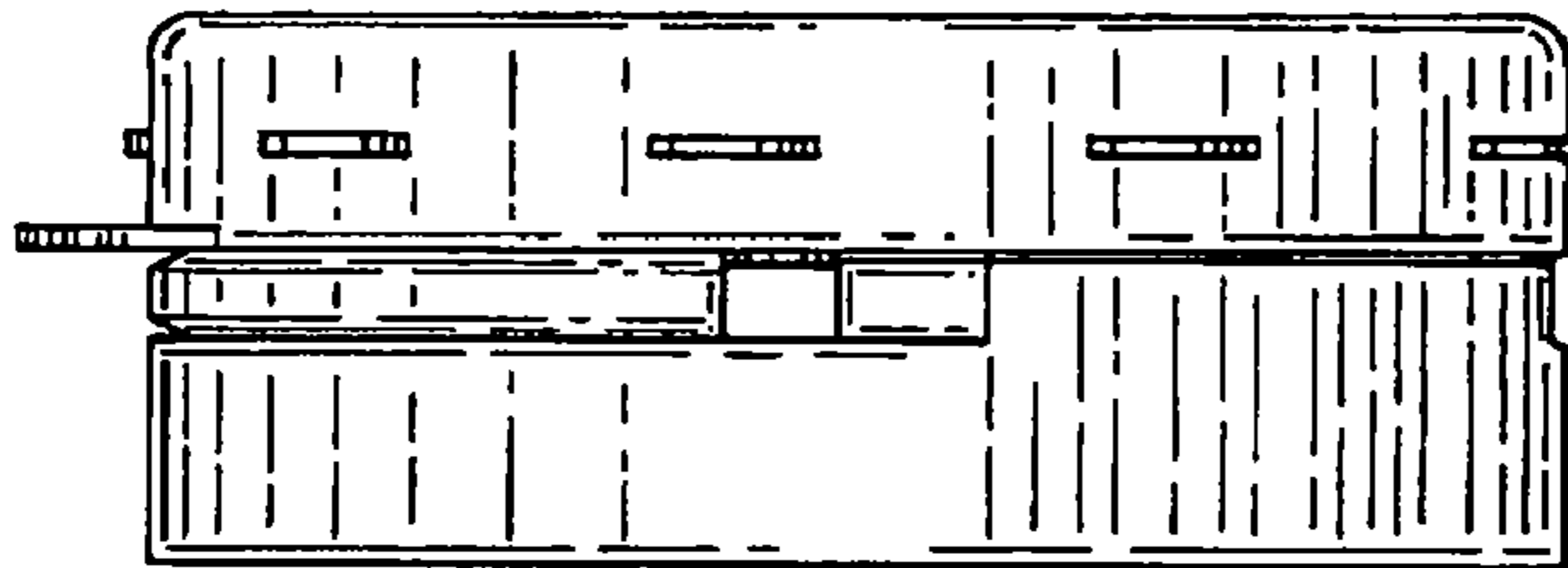


Fig. 5

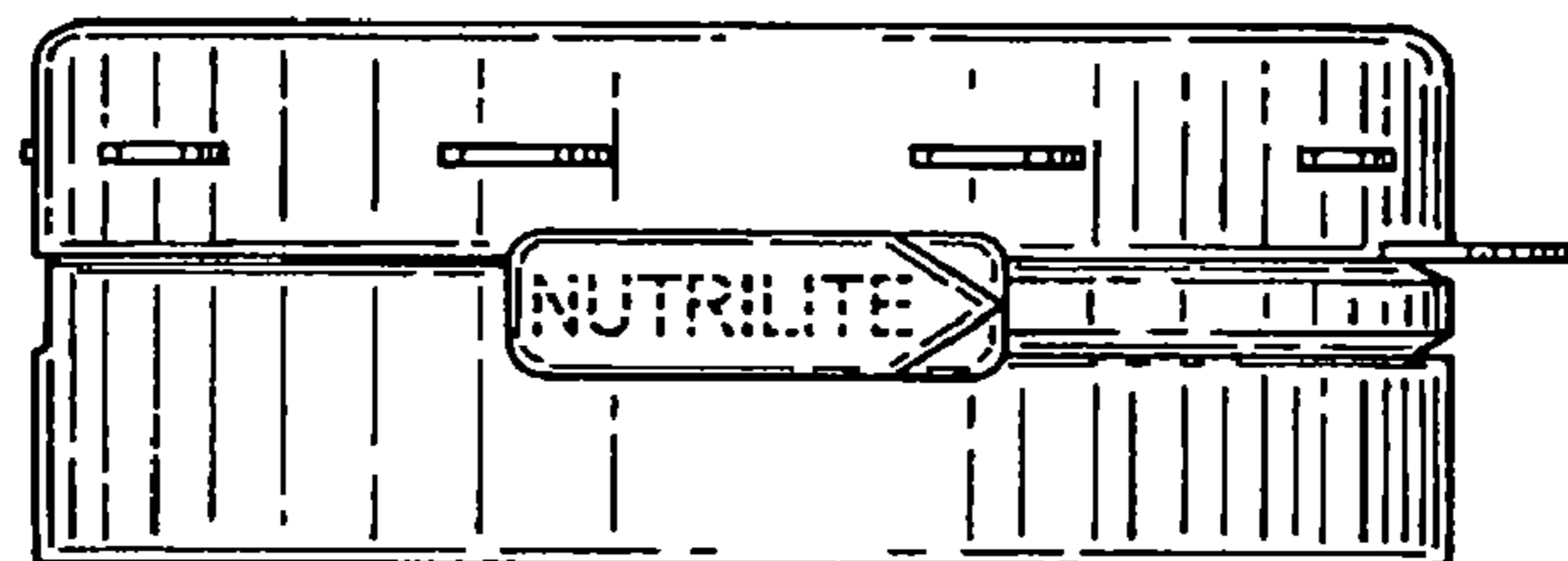


Fig. 6