



US00D584612S

(12) **United States Design Patent**  
**Ianello**

(10) **Patent No.:** **US D584,612 S**  
(45) **Date of Patent:** **\*\* Jan. 13, 2009**

- (54) **LID**
- (75) Inventor: **Ettore Ianello**, Concord (AU)
- (73) Assignee: **Crisp Lids Pty Ltd**, Kogarah, New South Wales (AU)
- (\*\*) Term: **14 Years**
- (21) Appl. No.: **29/300,047**
- (22) Filed: **Feb. 14, 2008**
- (51) **LOC (9) Cl.** ..... **09-07**
- (52) **U.S. Cl.** ..... **D9/435**
- (58) **Field of Classification Search** ..... D9/455,  
D9/453, 452, 445, 444, 443, 438, 436, 435,  
D9/434; D7/624.3, 624.2, 622, 619.1, 608,  
D7/607, 392.1, 629, 553.6, 391; 220/903,  
220/780; 215/352, 328, 256, 253, 252, 243,  
215/237, 228, 223  
See application file for complete search history.

- D465,382 S \* 11/2002 Wolf et al. .... D7/392.1
- D472,773 S \* 4/2003 Samartgis ..... D7/629
- D482,928 S \* 12/2003 Liu ..... D7/392.1
- D516,859 S \* 3/2006 Zettle et al. .... D7/392.1
- D571,200 S \* 6/2008 Bouveret et al. .... D9/435

\* cited by examiner

*Primary Examiner*—Susan B Hattan  
(74) *Attorney, Agent, or Firm*—Davidson Berquist Jackson & Gowdey LLP

(57) **CLAIM**

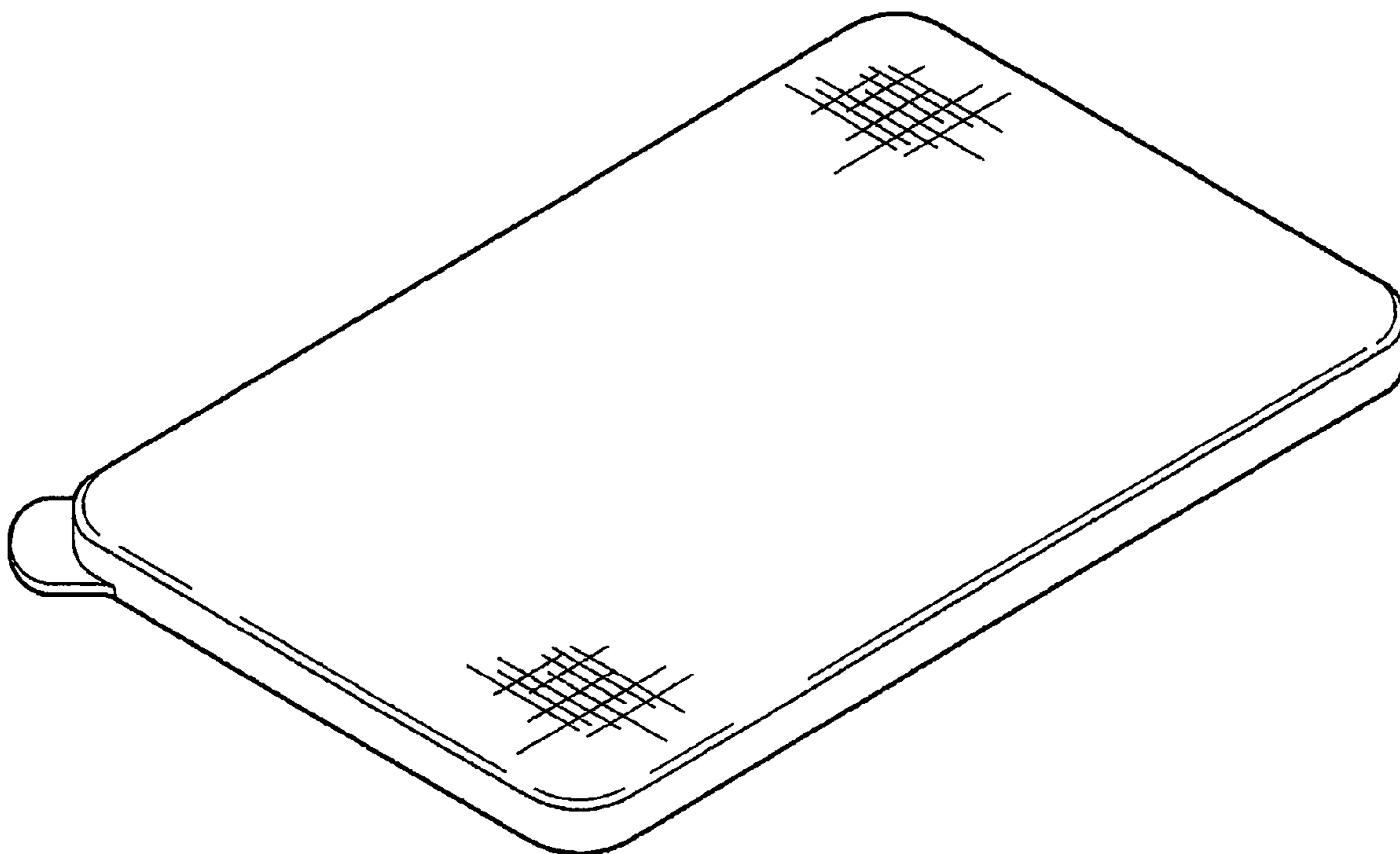
The design for a lid, as shown and described.

**DESCRIPTION**

This design application is related to another design application, Ser. No. 29/300,048, filed on the same date.  
FIG. 1 is an isometric view from above, one end and one side;  
FIG. 2 is an isometric view from below, one end and one side;  
FIG. 3 is a plan view from above;  
FIG. 4 is a plan view from below;  
FIG. 5 is an end elevation view;  
FIG. 6 is a side elevation view; and,  
FIG. 7 is a cross-sectional view thereof, taken in the direction of line 7—7 on FIG. 3.

**1 Claim, 6 Drawing Sheets**

- (56) **References Cited**
- U.S. PATENT DOCUMENTS
- D284,944 S \* 8/1986 Carlson ..... D9/435
- D289,488 S \* 4/1987 Gyebnar ..... D7/391
- D356,497 S \* 3/1995 Zimmerman ..... D9/435
- D358,328 S \* 5/1995 Huerto et al. .... D9/435
- D358,767 S \* 5/1995 Berggren ..... D9/435
- D371,305 S \* 7/1996 Kruger ..... D9/435



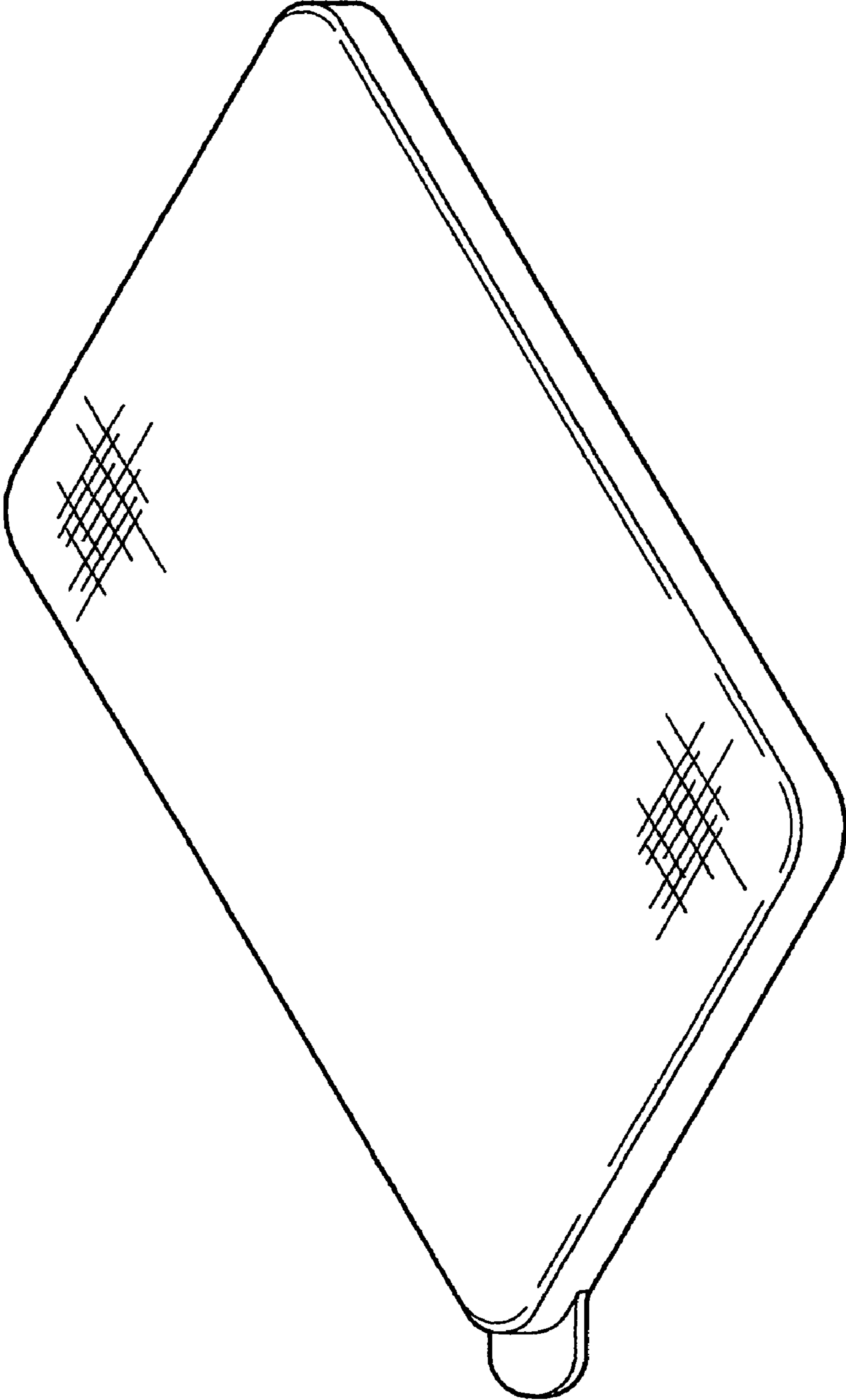


FIG. 1

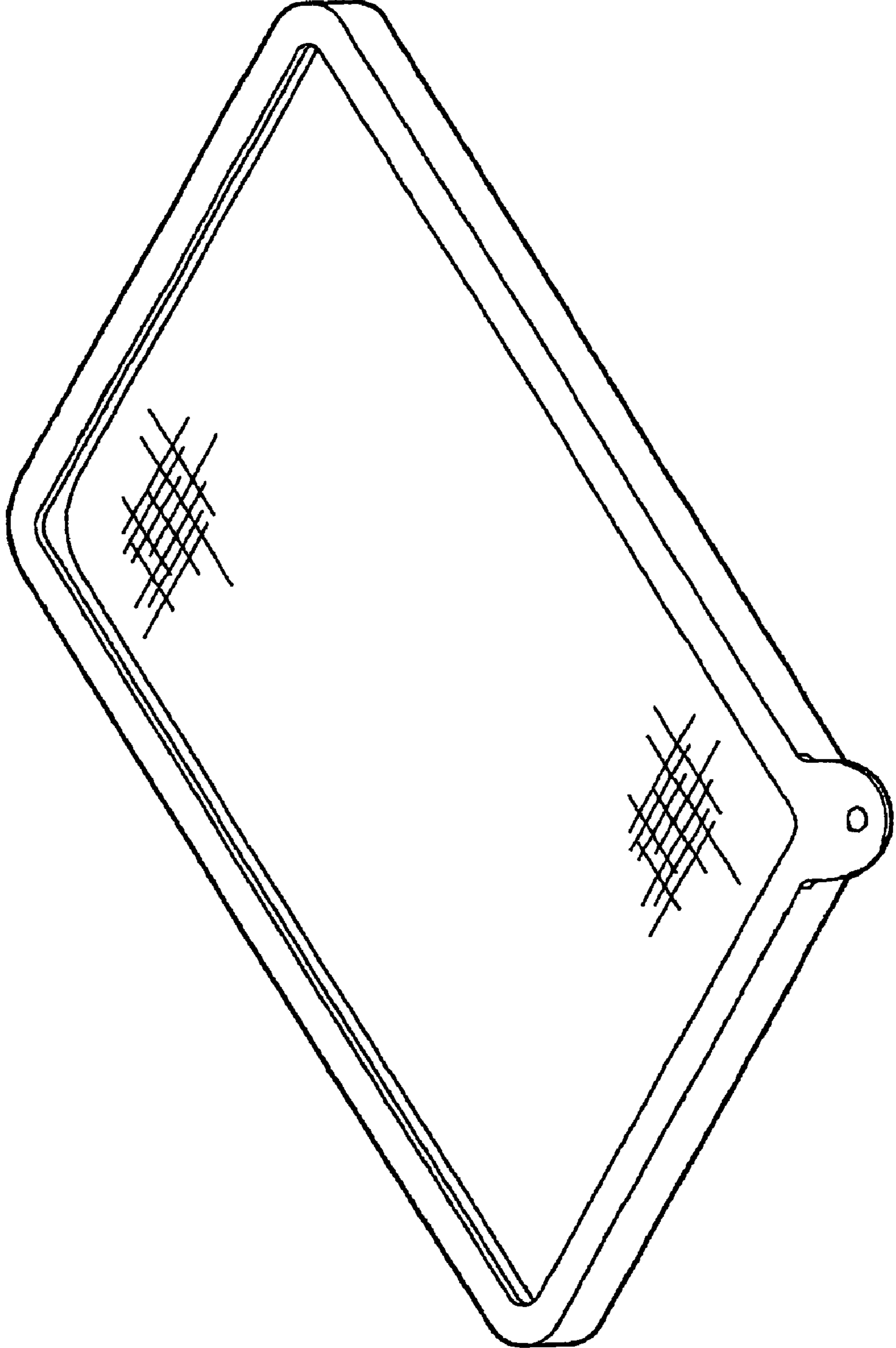


FIG. 2

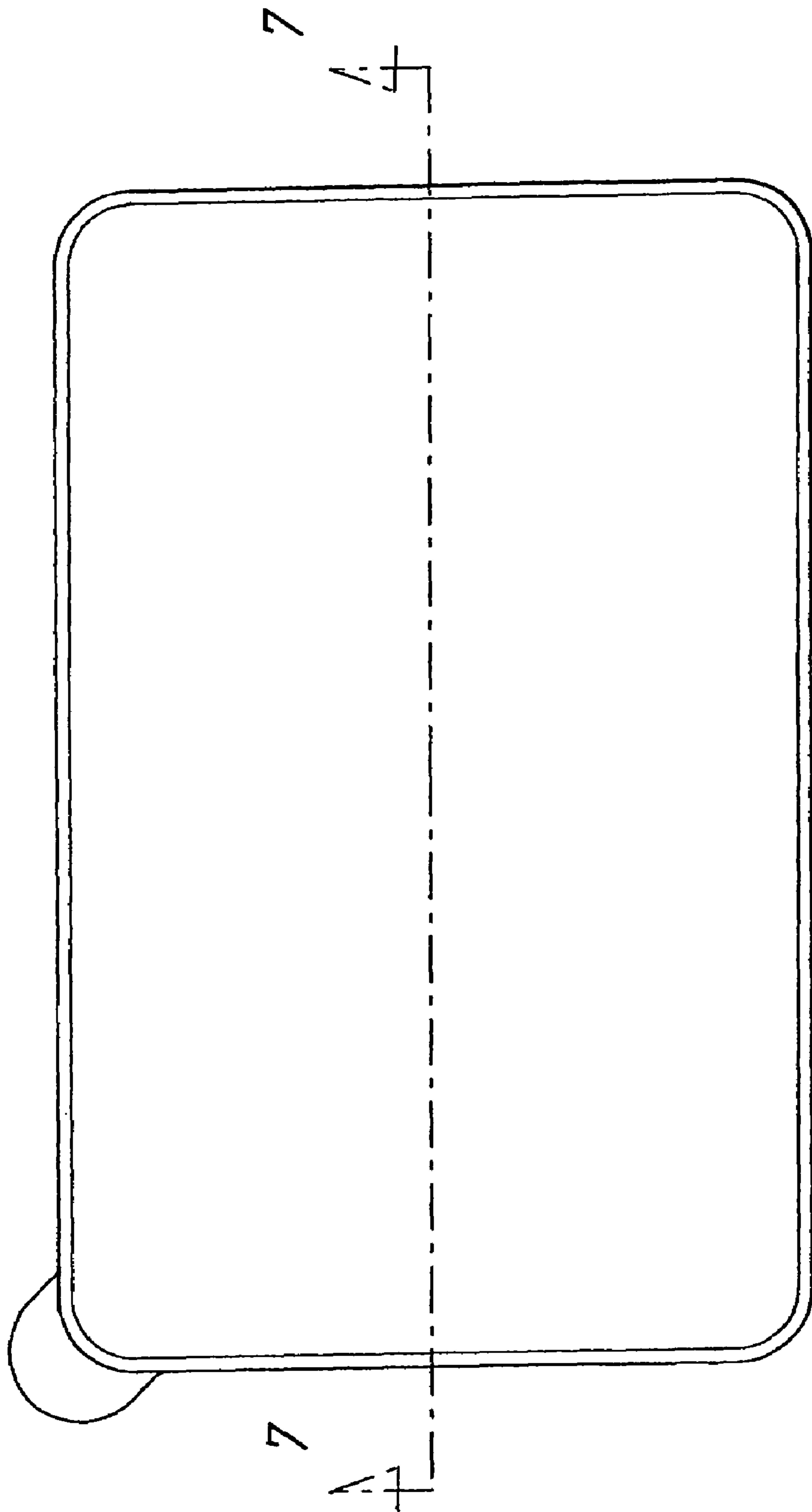


FIG. 3

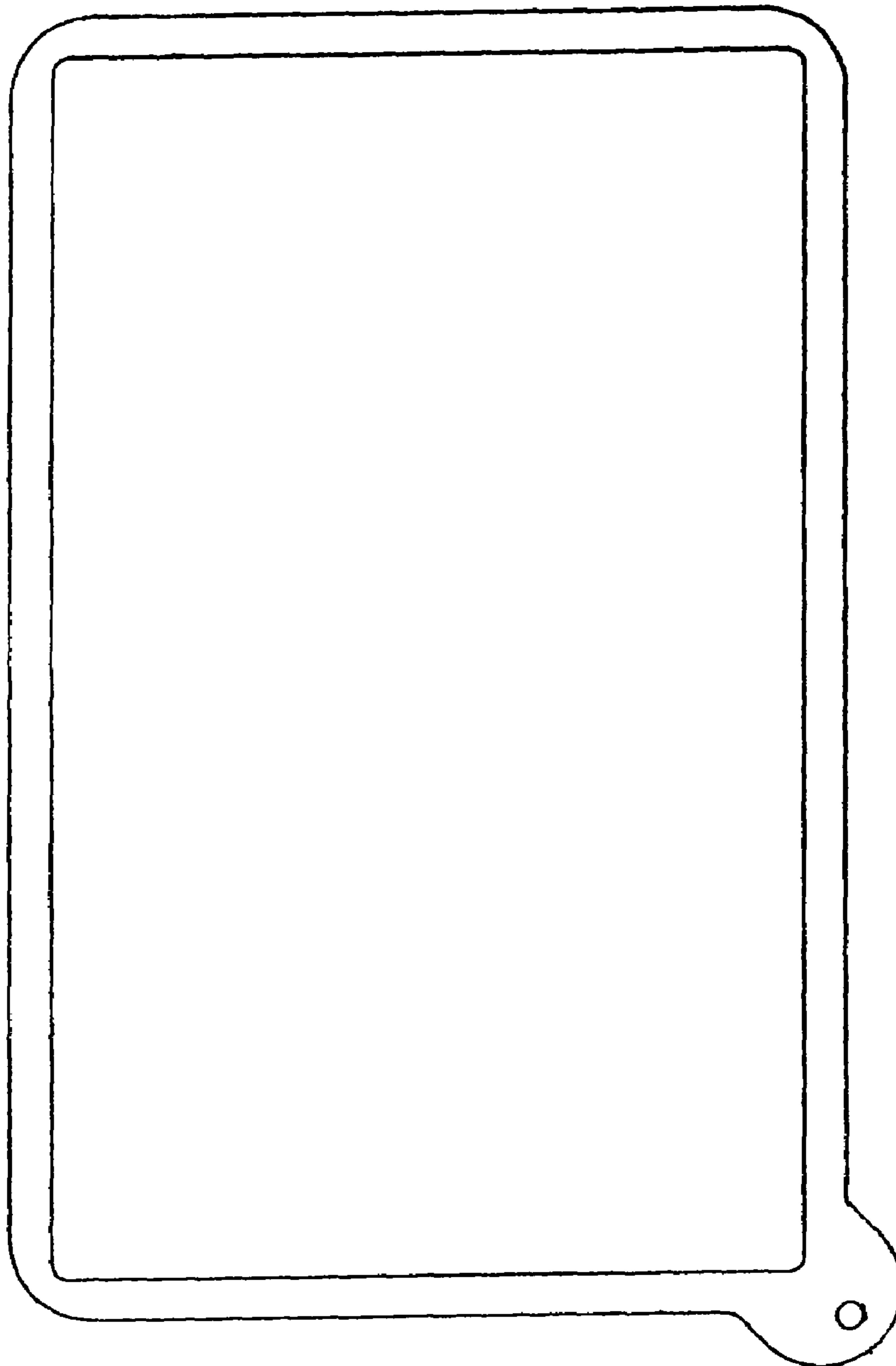


FIG. 4



FIG. 5

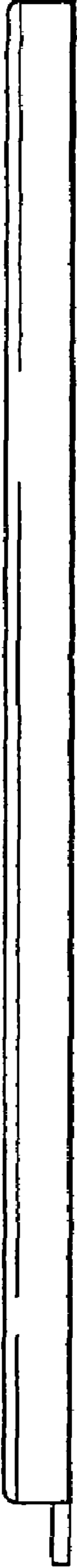


FIG. 6



FIG. 7