



US00D584608S

(12) **United States Design Patent**  
**McBride**

(10) **Patent No.:** **US D584,608 S**  
(45) **Date of Patent:** **\*\* Jan. 13, 2009**

(54) **ACCESSORY CONTAINER**

(75) Inventor: **Louise McBride**, Potts Point (AU)

(73) Assignee: **Shoo Sticks Pty Limited**, Potts Point (AU)

(\*\*) Term: **14 Years**

(21) Appl. No.: **29/277,950**

(22) Filed: **Mar. 14, 2007**

(30) **Foreign Application Priority Data**

Sep. 14, 2006 (AU) ..... 14125/2006

(51) **LOC (9) Cl.** ..... **09-03**

(52) **U.S. Cl.** ..... **D9/418; D3/227**

(58) **Field of Classification Search** ..... D9/414-418,  
D9/420-426, 430-432, 761, 737, 757; D7/357,  
D7/629, 602, 553.1-553.8, 538; 206/521.1,  
206/564, 541, 546; 220/23.8, 23.83, 315,  
220/324, 326, 367, 556, 4.21, 4.23, 835,  
220/839; 229/406, 902-904, 906, 407, 110  
See application file for complete search history.

(56) **References Cited**

**U.S. PATENT DOCUMENTS**

2,275,542 A \* 3/1942 Menges ..... 206/769  
D157,258 S \* 2/1950 Hertzberg ..... D4/121  
4,914,034 A \* 4/1990 Welsh et al. .... 435/287.4

D366,827 S \* 2/1996 Rothman ..... D9/730  
D434,980 S \* 12/2000 Suzuki ..... D9/418  
D436,861 S \* 1/2001 Sagel et al. .... D9/428  
D437,219 S \* 2/2001 Gallart et al. .... D9/428  
D446,122 S \* 8/2001 Weinstein et al. .... D9/504  
D499,552 S \* 12/2004 Nissanoff et al. .... D3/302  
D518,369 S \* 4/2006 Haber et al. .... D9/428  
D559,110 S \* 1/2008 Marx et al. .... D9/529  
D559,675 S \* 1/2008 Webb et al. .... D9/417

\* cited by examiner

*Primary Examiner*—Robert M Spear

*Assistant Examiner*—Susan E Krakower

(74) *Attorney, Agent, or Firm*—Knobbe, Martens, Olson & Bear, LLP

(57) **CLAIM**

The ornamental design for an accessory container, as shown and described.

**DESCRIPTION**

FIG. 1 is a front perspective view of an accessory container of the present invention;

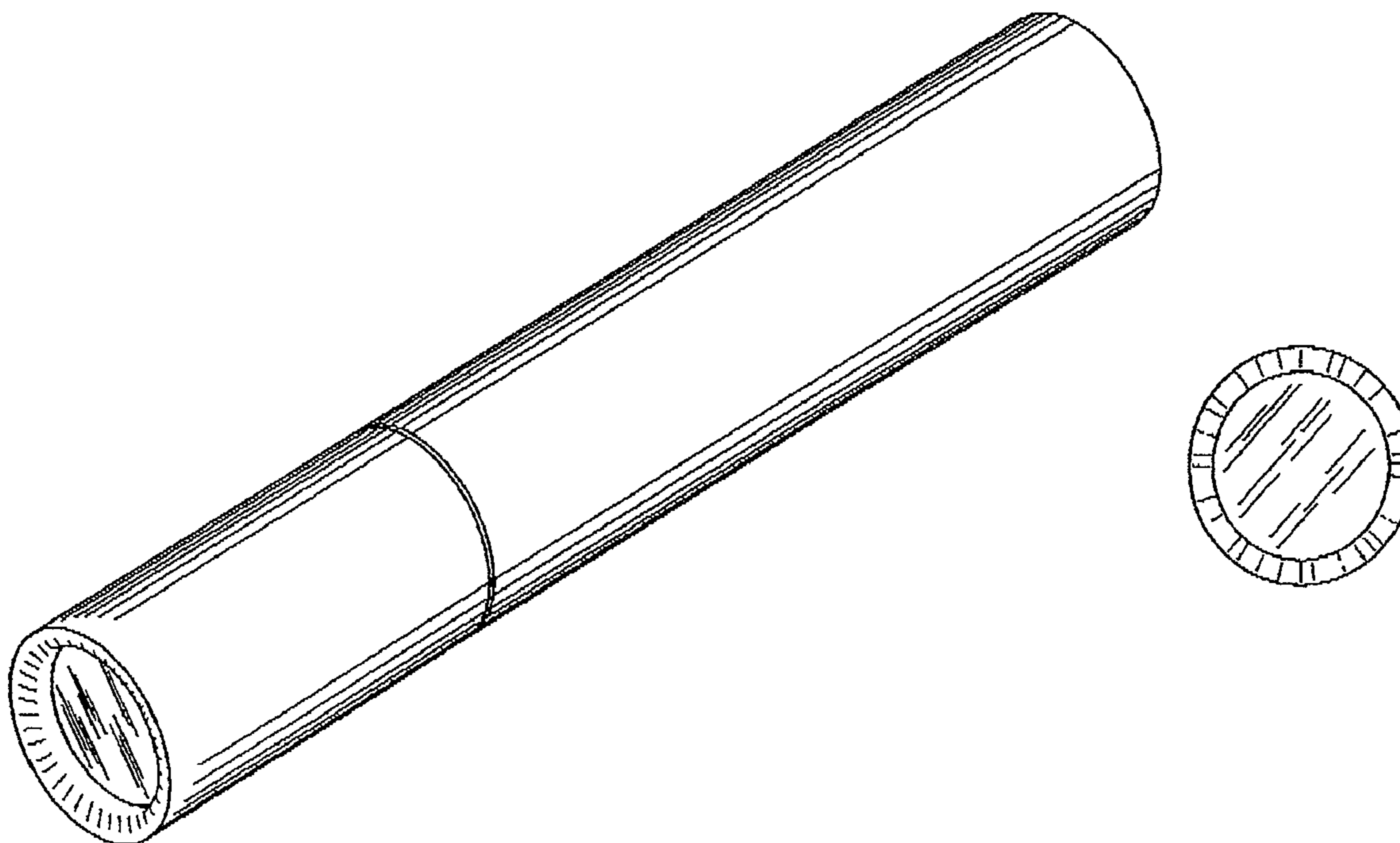
FIG. 2 is a rear perspective view of the accessory container of FIG. 1;

FIG. 3 is a top view of the accessory container of FIG. 1;

FIG. 4 is a side view of the accessory container of FIG. 1; and,

FIG. 5 is an end view of the accessory container of FIG. 1.

**1 Claim, 5 Drawing Sheets**



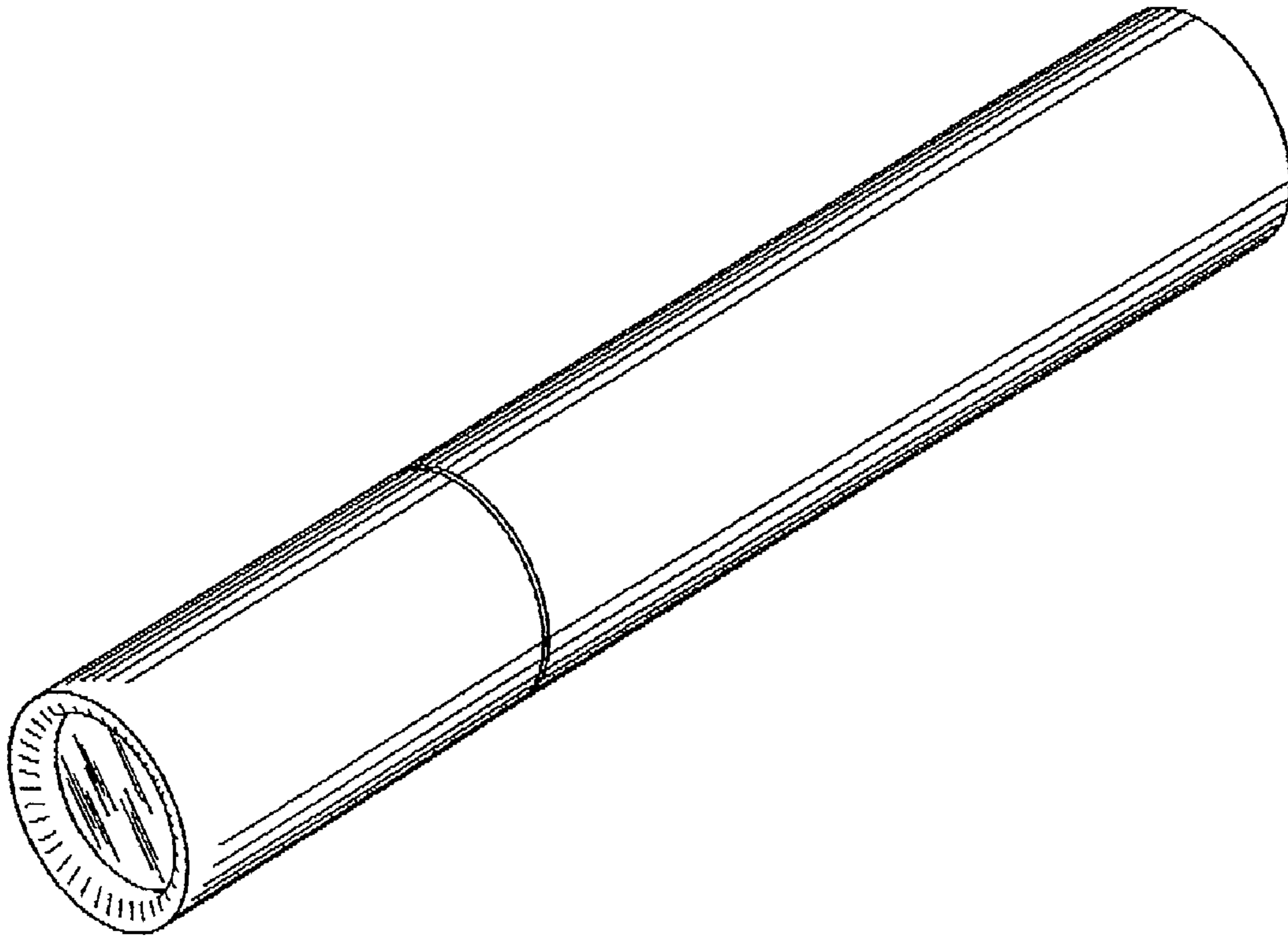


FIGURE 1

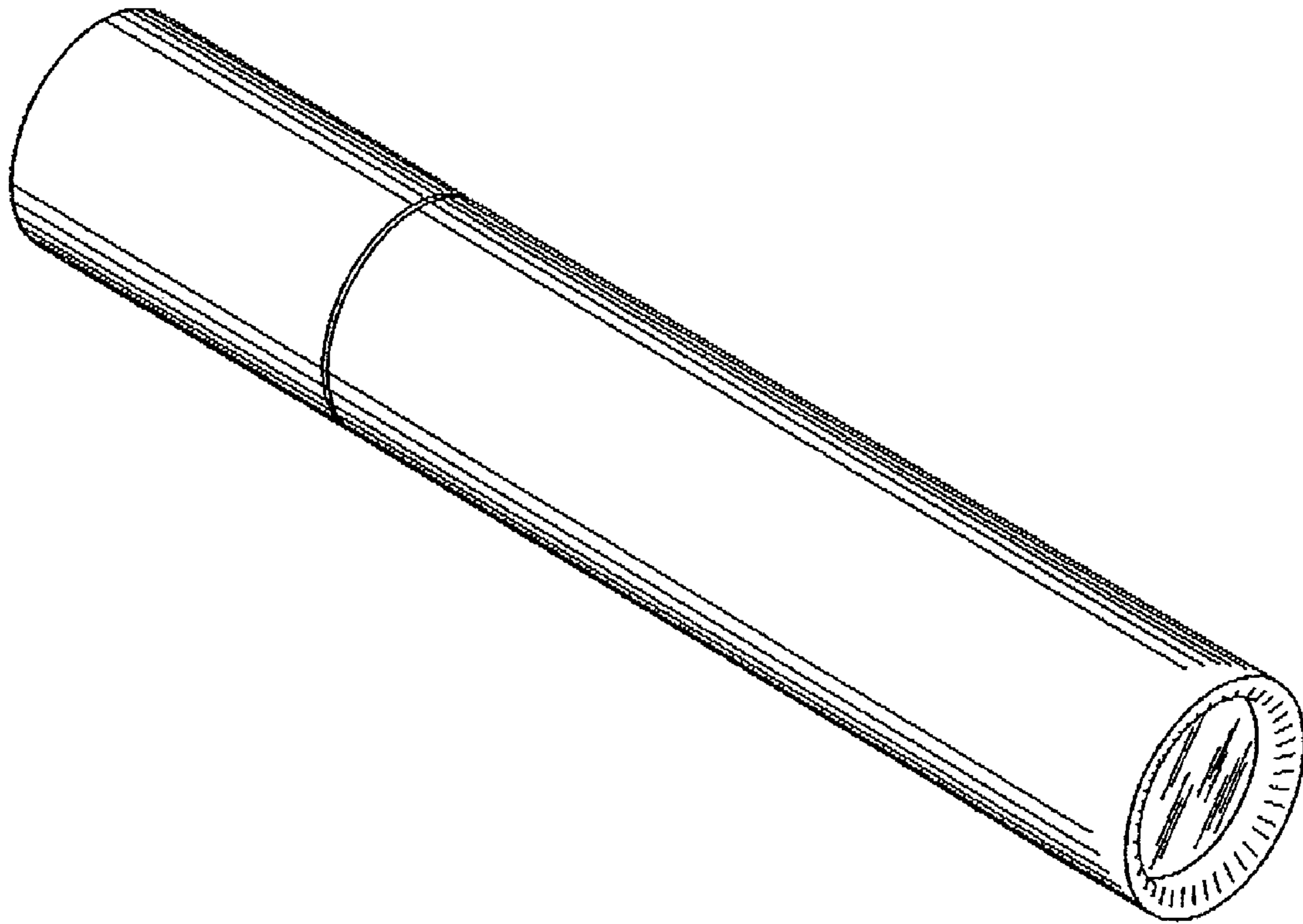


FIGURE 2

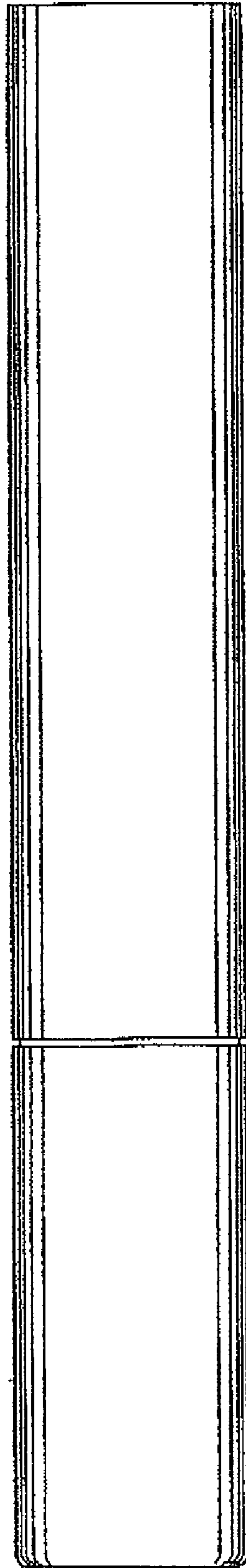


FIGURE 3

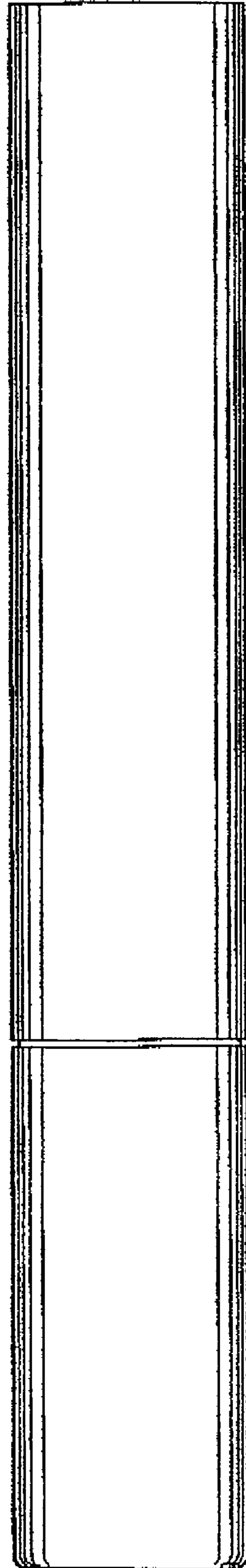
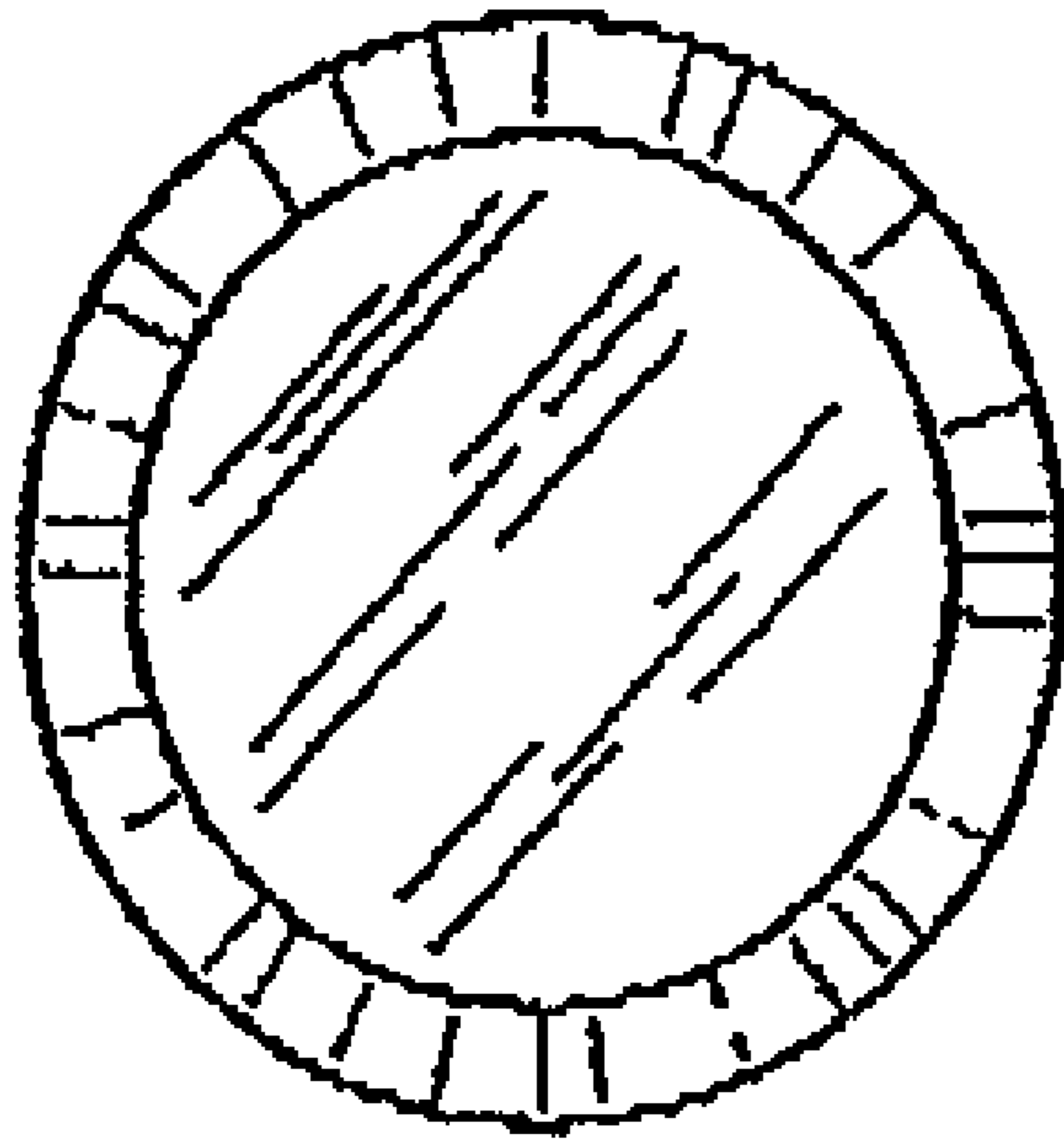


FIGURE 4



**FIGURE 5**