



US00D584605S

(12) **United States Design Patent**  
**Hedlund et al.**

(10) **Patent No.:** **US D584,605 S**  
(45) **Date of Patent:** **\*\* Jan. 13, 2009**

(54) **DISPLAY PACKAGE**

(75) Inventors: **Steven Hedlund**, Racine, WI (US); **Alan L. Rozanski**, Franklin, WI (US)

(73) Assignee: **Master Lock Company LLC**, Oak Creek, WI (US)

(\*\*) Term: **14 Years**

(21) Appl. No.: **29/299,551**

(22) Filed: **Dec. 28, 2007**

(51) **LOC (9) Cl.** ..... **09-03**

(52) **U.S. Cl.** ..... **D9/415; D9/432**

(58) **Field of Classification Search** ..... D9/721, D9/722, 730, 733, 734, 414, 415, 416, 418, D9/430-433; D6/408, 512-523, 553, 567, D6/573; D32/36, 37; D34/1, 7-10; D99/28, D99/33; D19/75, 77, 78, 84, 86, 90; 206/736, 206/738, 756, 763, 214, 215, 223, 225, 576, 206/581, 206, 207, 338, 349, 485, 784, 273, 206/389-391, 395, 408, 409, 320, 461-471, 206/775, 779, 780, 806; 220/476-483; 229/102.5, 229/106, 117.18; 211/70.1, 87.01, 89.01  
See application file for complete search history.

(56) **References Cited**

**U.S. PATENT DOCUMENTS**

|           |     |         |                  |       |            |
|-----------|-----|---------|------------------|-------|------------|
| 2,829,778 | A * | 4/1958  | Carabet          | ..... | 211/70.1   |
| 2,926,834 | A * | 3/1960  | Kaslow           | ..... | 229/117.18 |
| 2,979,192 | A * | 4/1961  | Blonder          | ..... | 206/321    |
| 4,069,917 | A * | 1/1978  | Stollberg et al. | ..... | 206/423    |
| 4,355,758 | A * | 10/1982 | Lavery           | ..... | 229/117.18 |
| 4,687,094 | A * | 8/1987  | Allsop et al.    | ..... | 206/774    |
| D332,854  | S * | 1/1993  | Waterston et al. | ..... | D34/10     |
| 5,584,393 | A * | 12/1996 | Korte            | ..... | 206/524.9  |
| 5,842,632 | A * | 12/1998 | Van Hest         | ..... | 229/153    |
| 6,098,818 | A * | 8/2000  | Ali et al.       | ..... | 211/50     |
| D482,914  | S * | 12/2003 | Prasad           | ..... | D6/515     |

|           |      |         |                   |       |           |
|-----------|------|---------|-------------------|-------|-----------|
| 6,955,365 | B2 * | 10/2005 | Giampavolo et al. | ..... | 280/47.26 |
| D511,248  | S *  | 11/2005 | Premper           | ..... | D3/321    |
| 7,419,320 | B2 * | 9/2008  | LaBrasca          | ..... | 401/131   |

\* cited by examiner

*Primary Examiner*—Catherine Tuttle

(74) *Attorney, Agent, or Firm*—Calfee, Halter & Griswold LLP

(57) **CLAIM**

The ornamental design for a display package, as shown and described.

**DESCRIPTION**

FIG. 1 is a front-left perspective view of the new, original, and ornamental design for a display package, showing a product in phantom lines retained on the display package;

FIG. 2 is a front-right perspective view of the display package of FIG. 1, showing a product in phantom lines retained on the display package;

FIG. 3 is a front-left perspective view of the display package of FIG. 1;

FIG. 4 is a front-right perspective view of the display package of FIG. 1;

FIG. 5 is a left side view of the display package of FIG. 1;

FIG. 6 is a top view of the display package of FIG. 1;

FIG. 7 is a front view of the display package of FIG. 1;

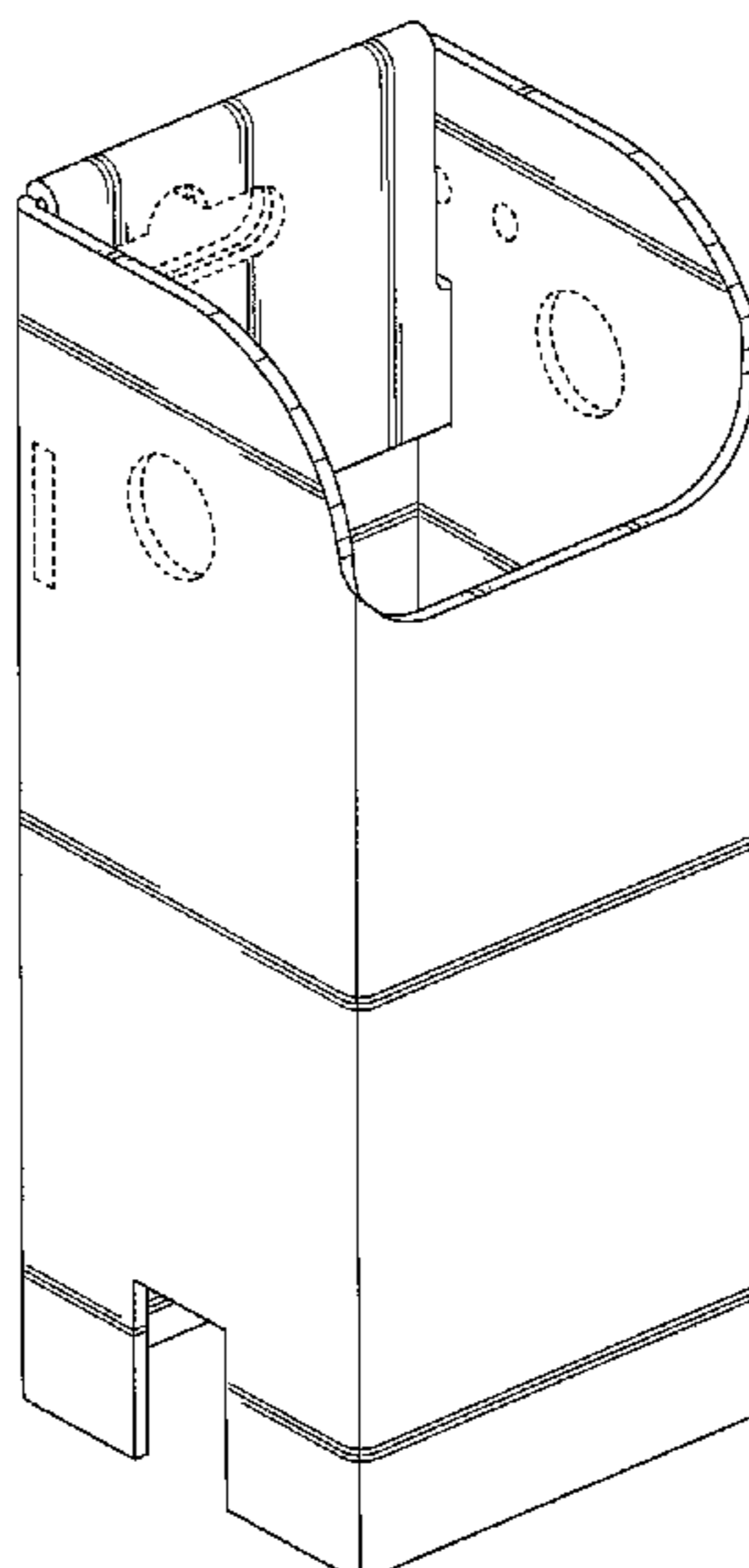
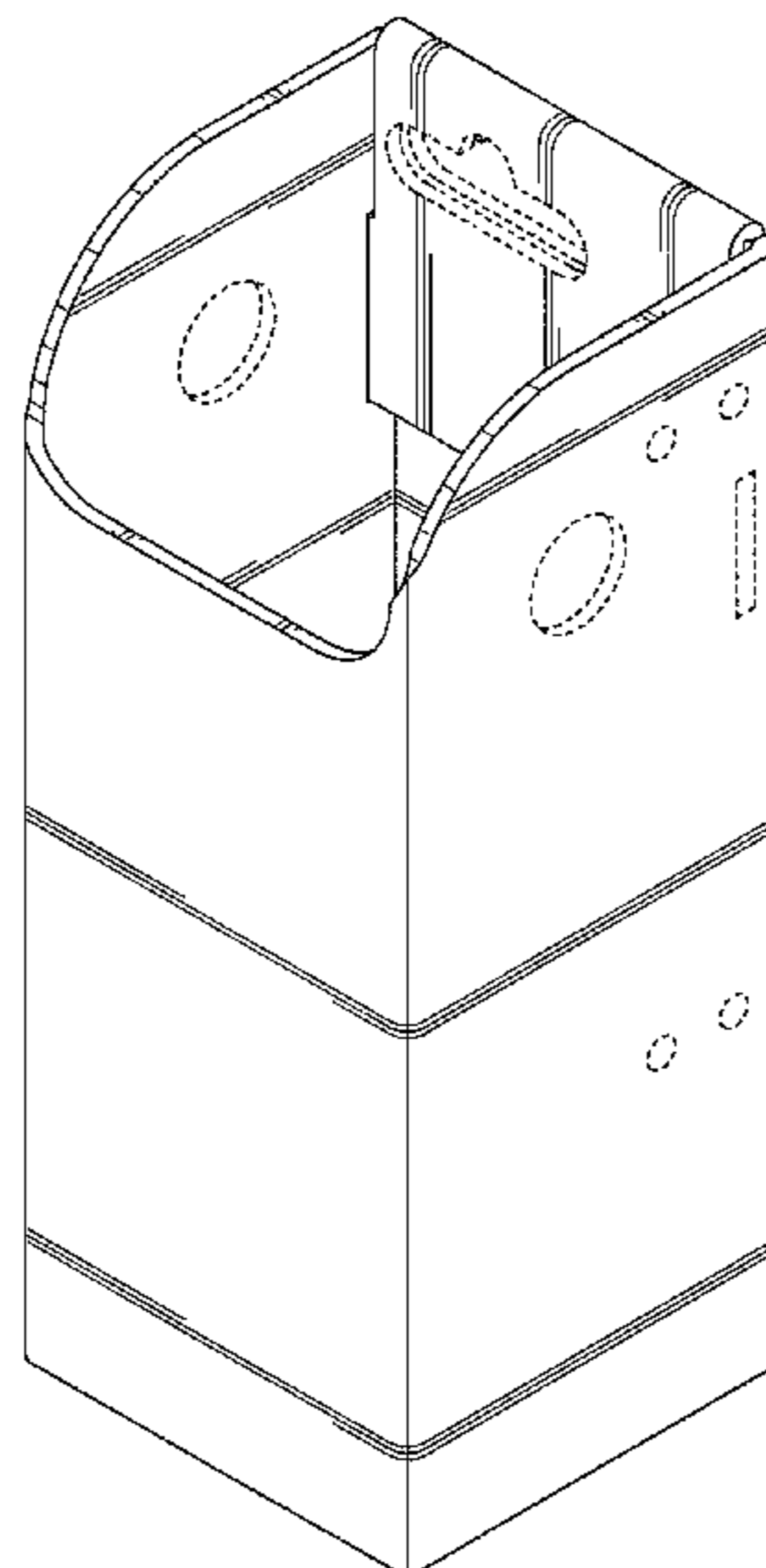
FIG. 8 is a right side view of the display package of FIG. 1;

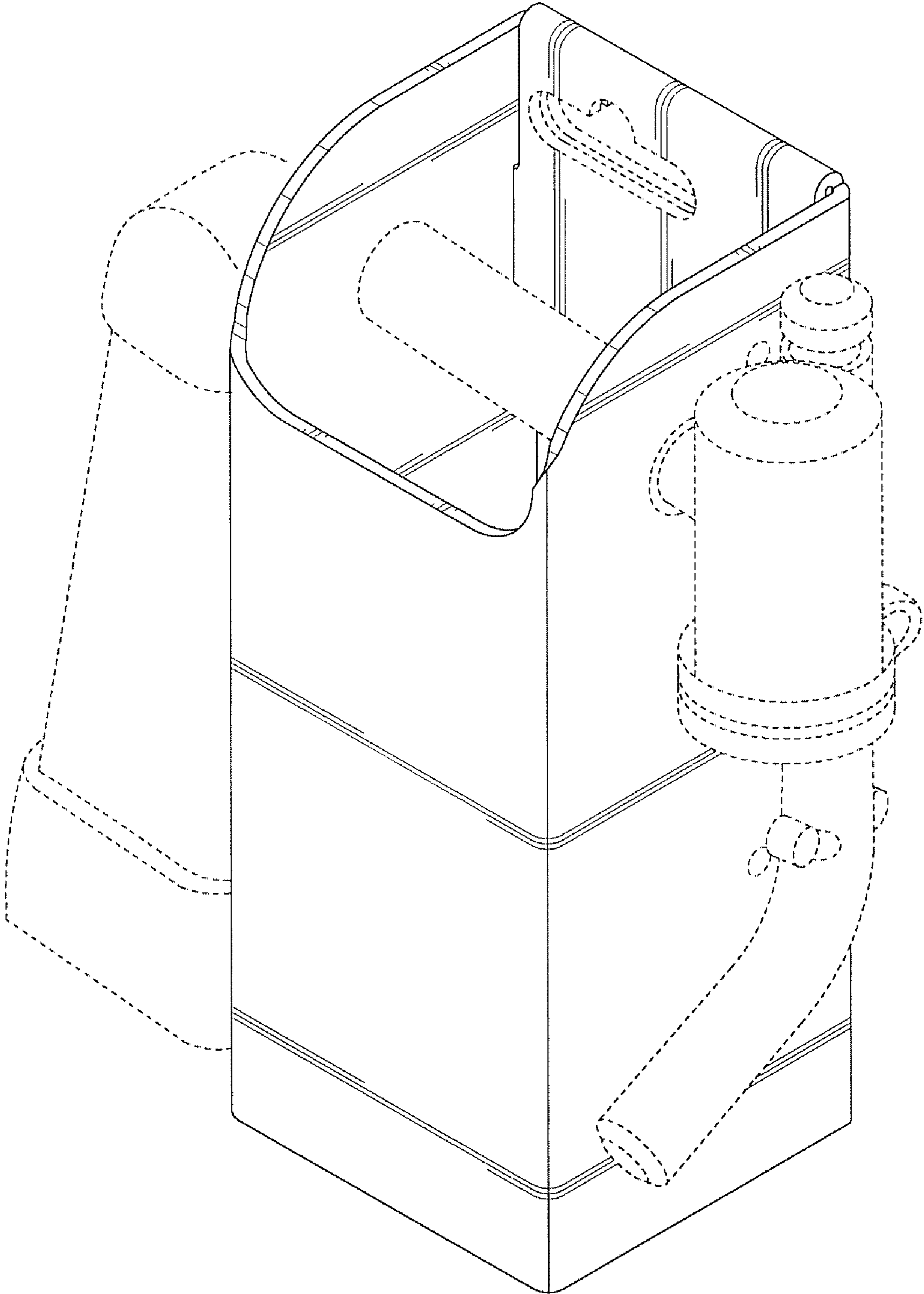
FIG. 9 is a bottom view of the display package of FIG. 1; and,

FIG. 10 is a rear view of the display package of FIG. 1.

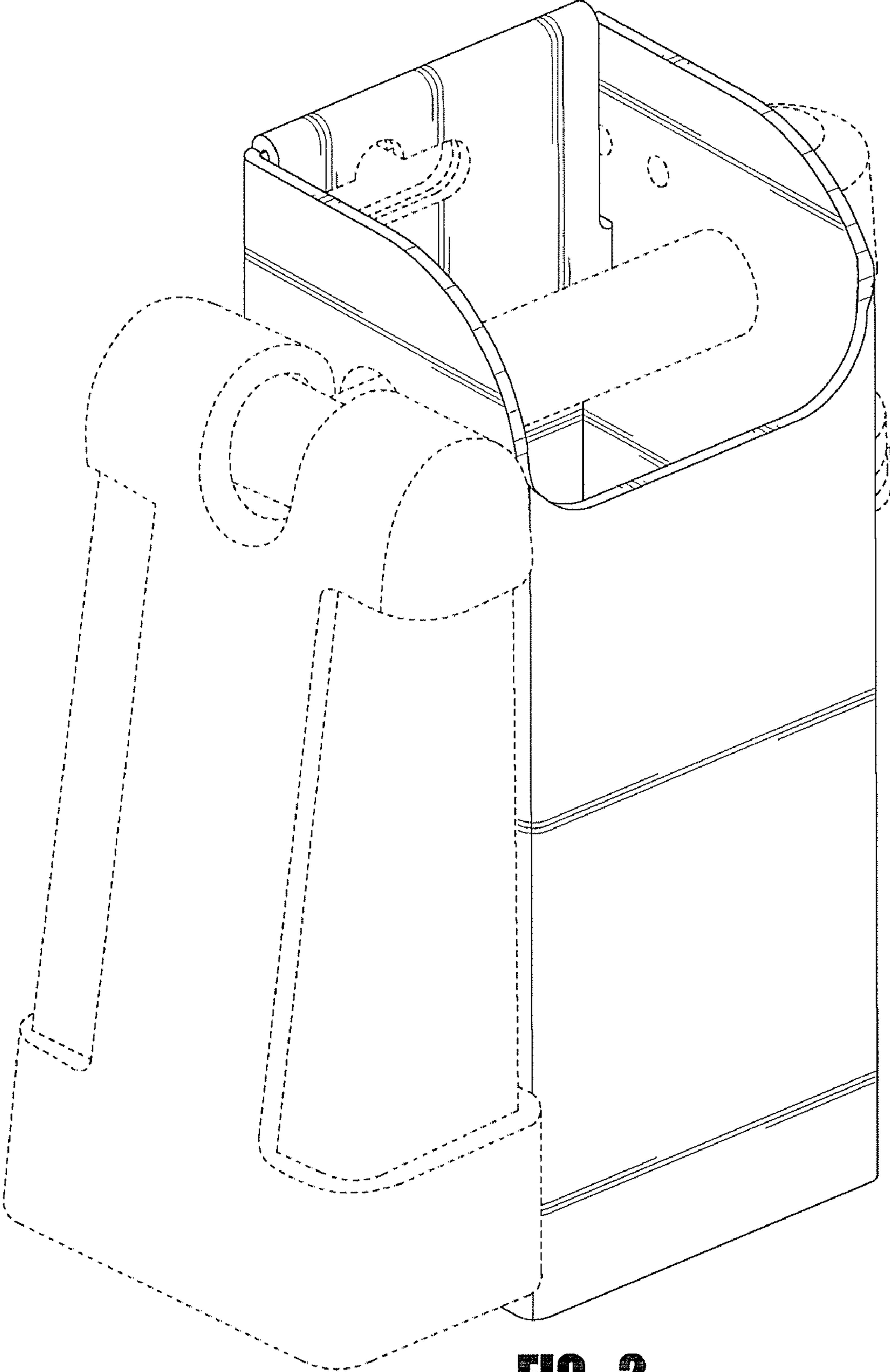
The broken lines are included for the purpose of illustrating the unclaimed product associated with the display package in FIGS. 1 and 2 in addition to portions of the package in FIGS. 1-5, 7 and 8 that form no part of the claimed design.

**1 Claim, 6 Drawing Sheets**

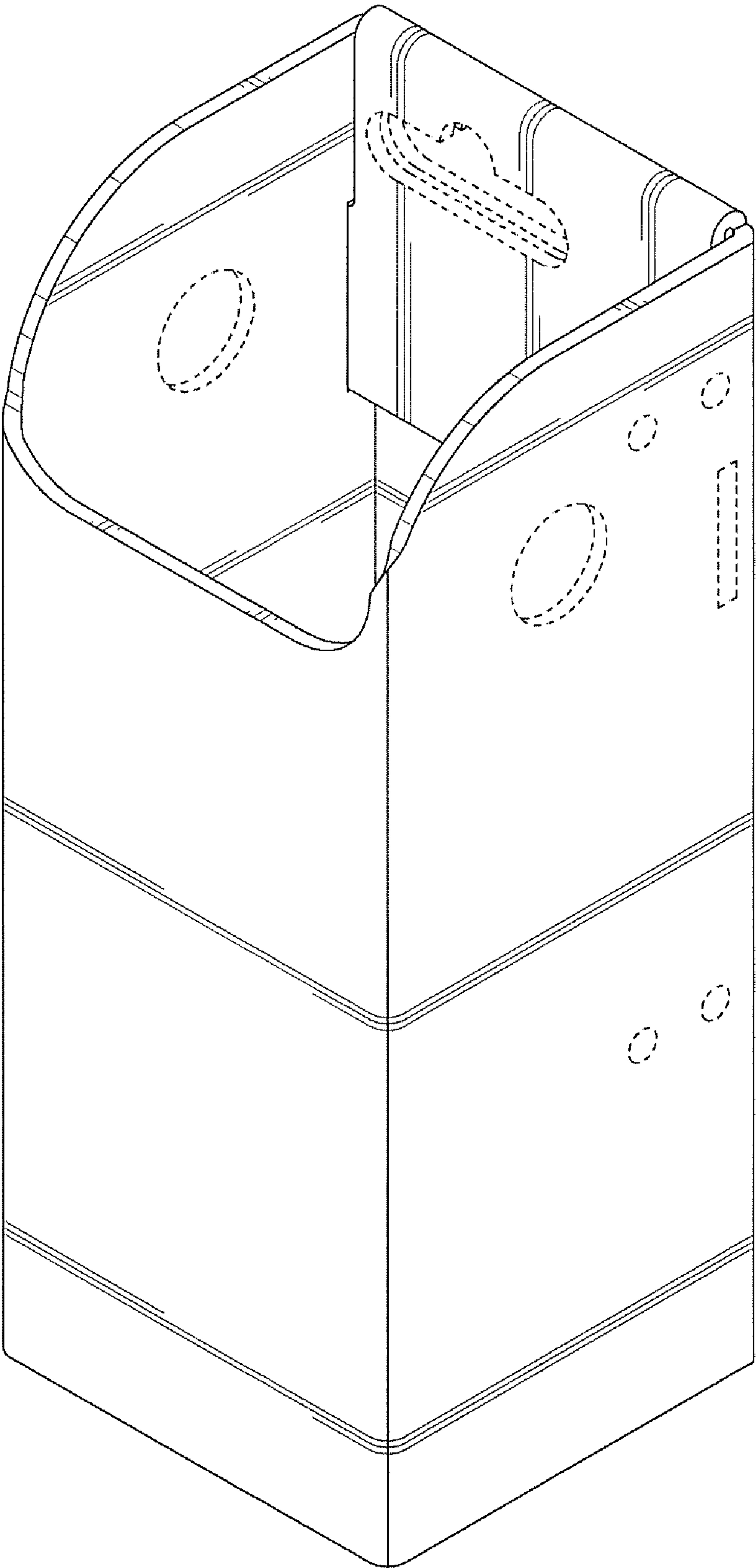




**FIG. 1**

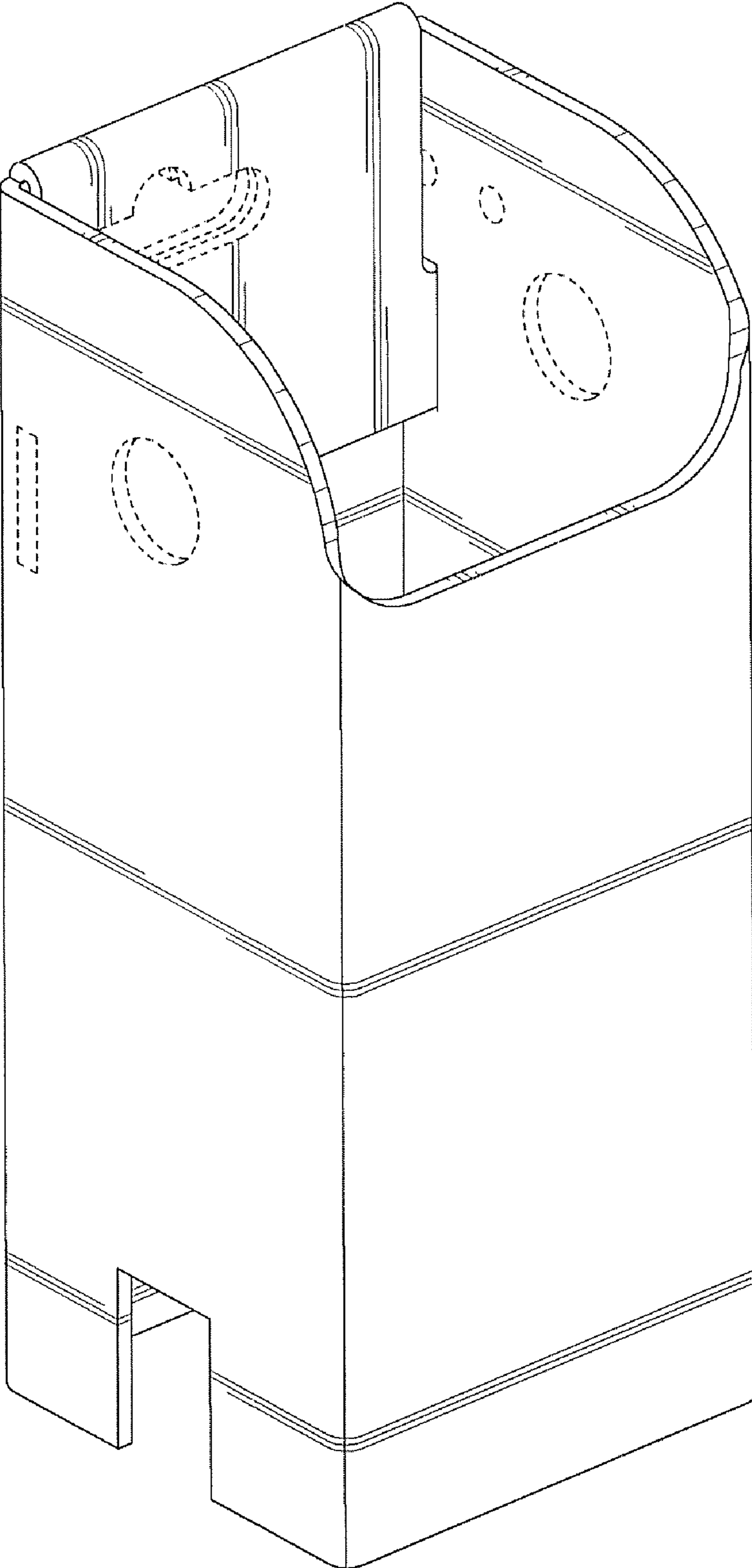


**FIG. 2**

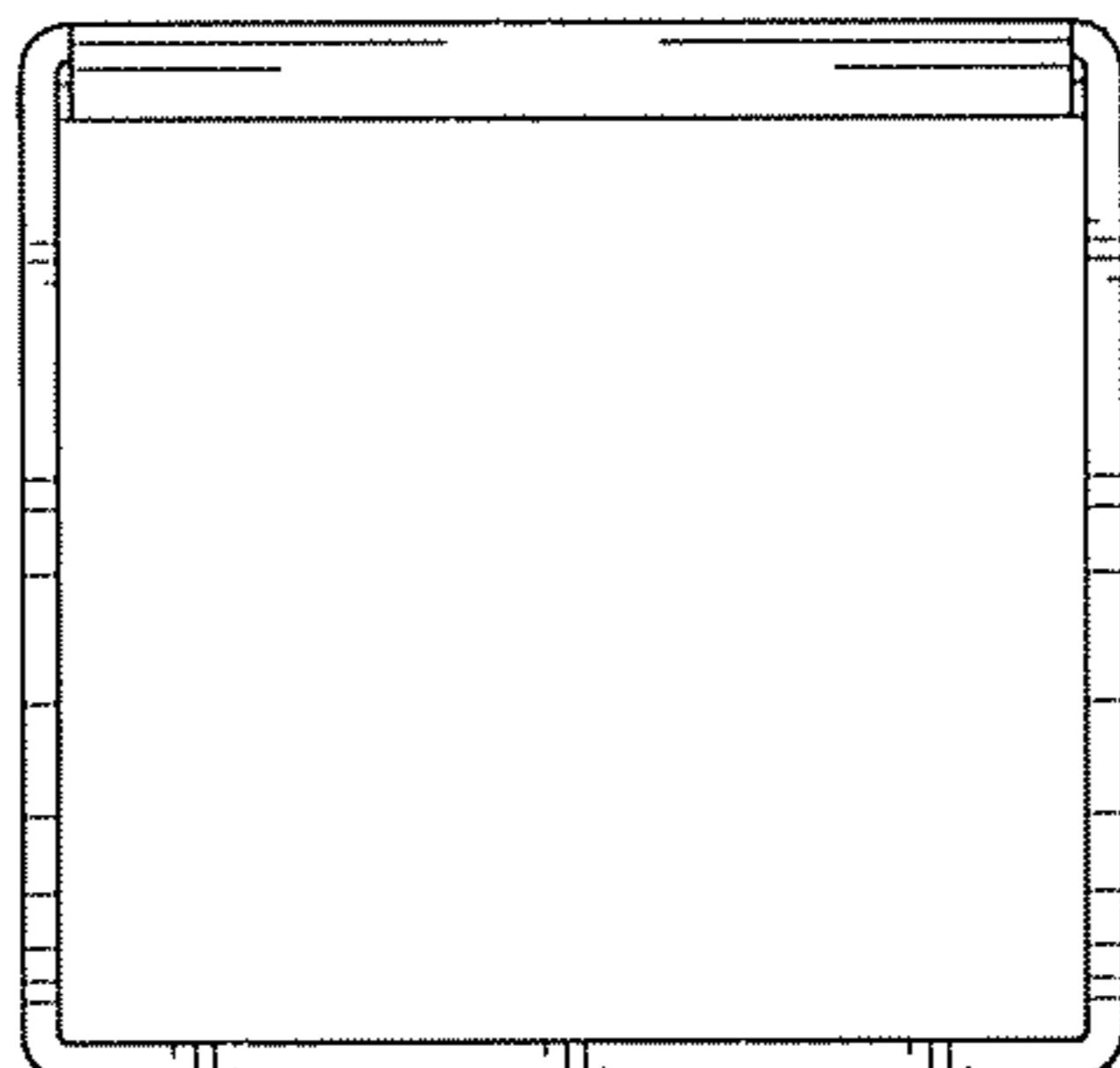


**FIG. 3**

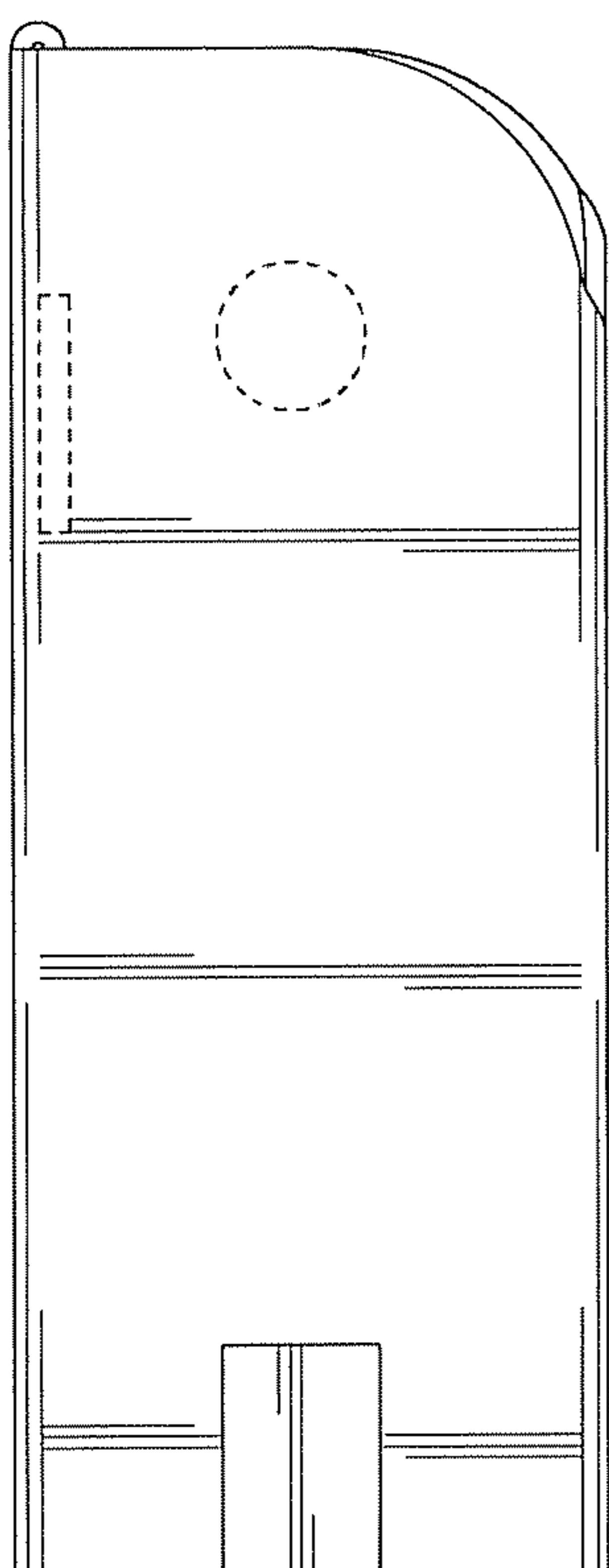




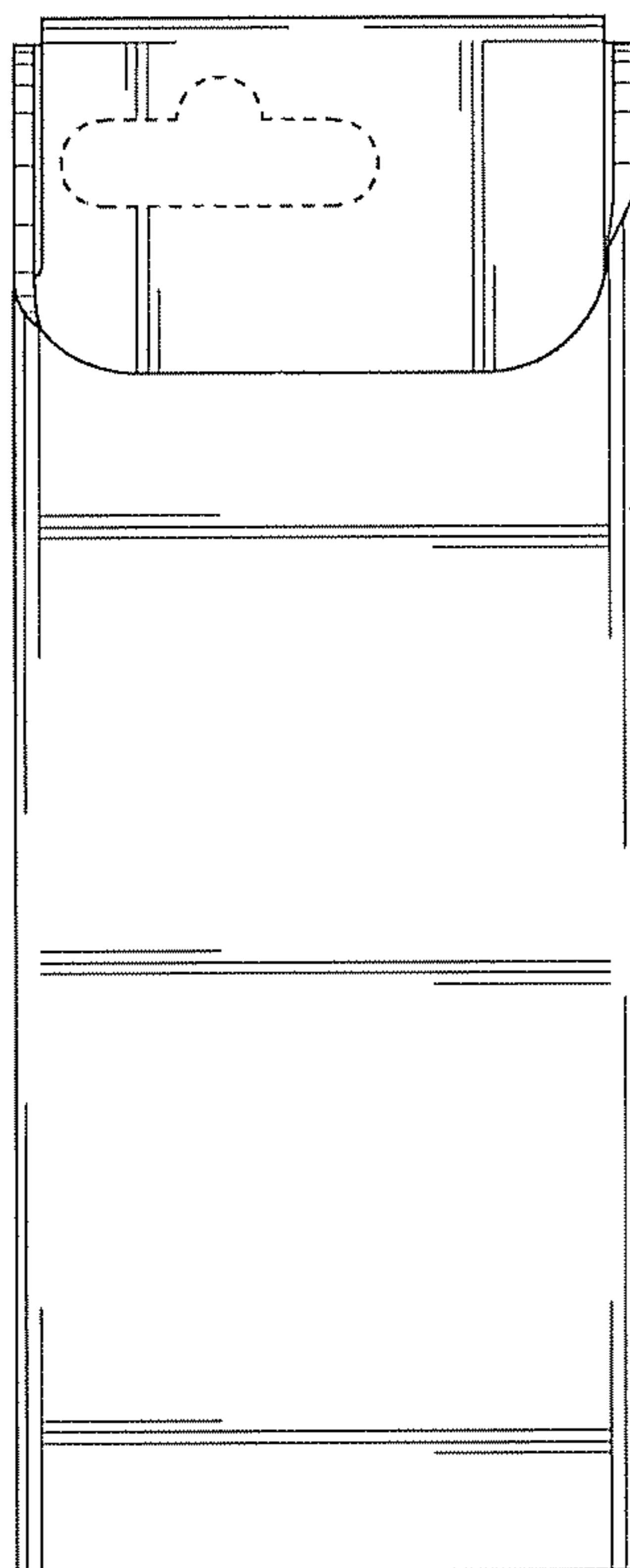
**FIG. 4**



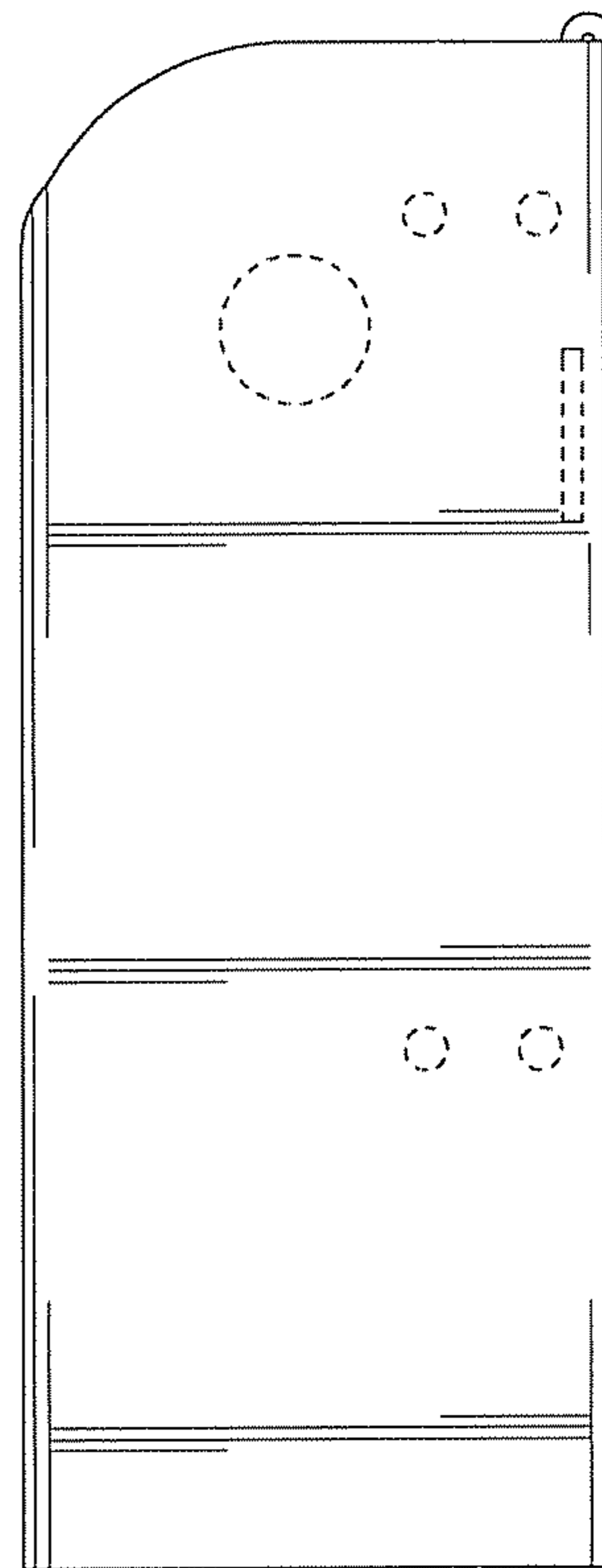
**FIG. 6**



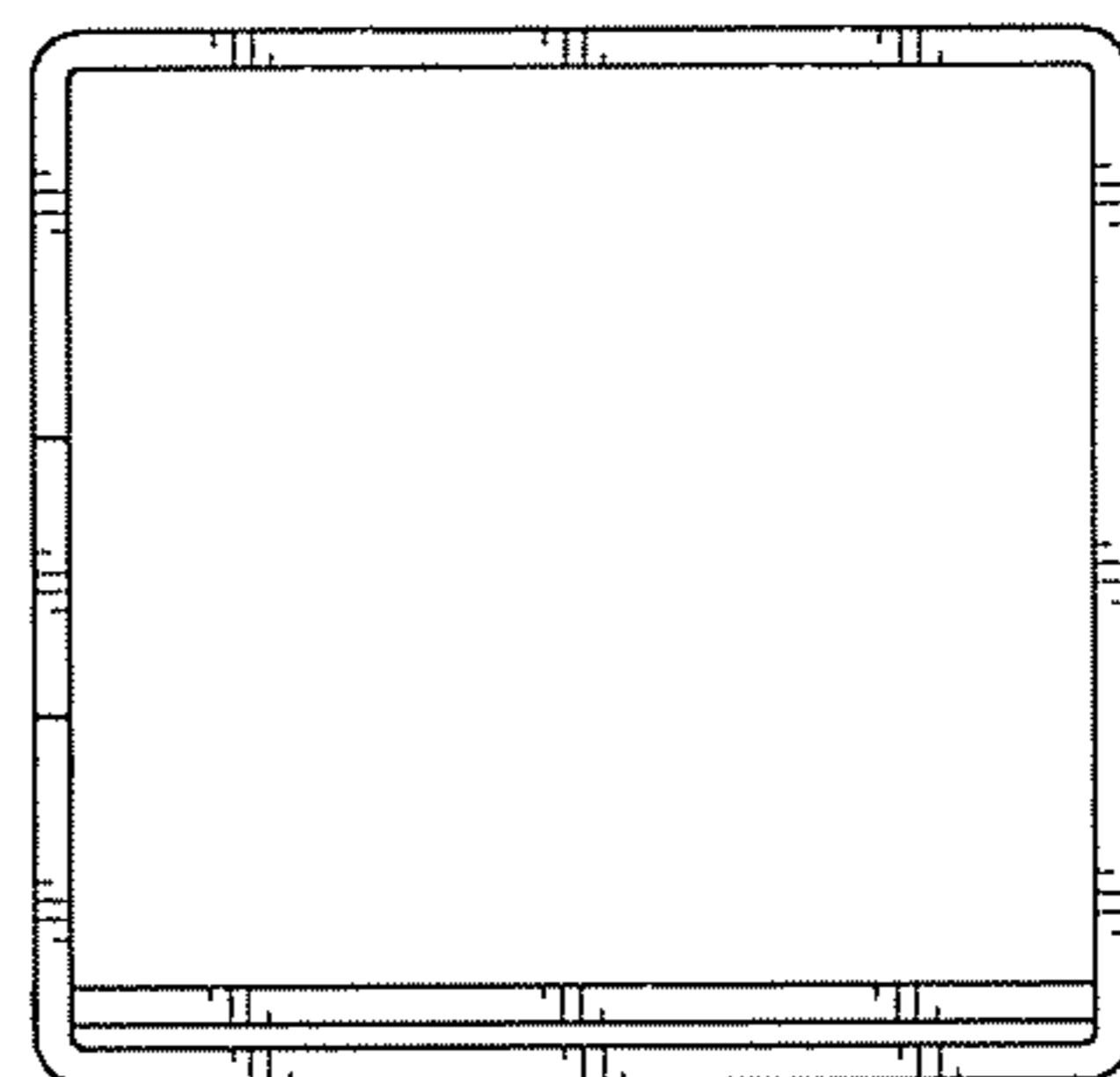
**FIG. 8**



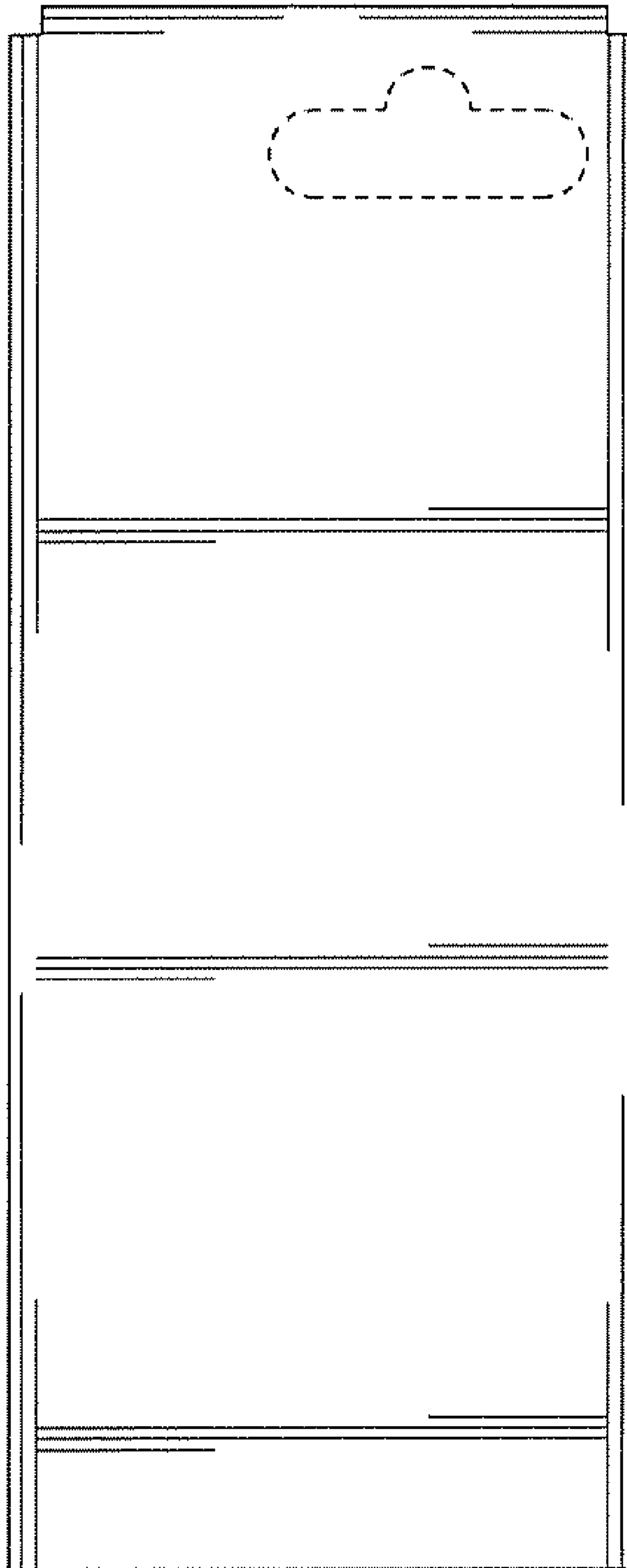
**FIG. 7**



**FIG. 5**



**FIG. 9**



**FIG. 10**