



US00D584604S

(12) **United States Design Patent**  
**Baldwin**

(10) **Patent No.:** **US D584,604 S**  
(45) **Date of Patent:** **\*\* Jan. 13, 2009**

(54) **CLAMP**

(76) **Inventor:** **Benjamin Holman Baldwin**, 2169  
Highway 41S #22, Greenbrier, TN (US)  
37073

(\*\*) **Term:** **14 Years**

(21) **Appl. No.:** **29/310,185**

(22) **Filed:** **Jul. 31, 2008**

(51) **LOC (9) Cl.** ..... **08-08**

(52) **U.S. Cl.** ..... **D8/396**

(58) **Field of Classification Search** ..... D8/71-74,  
D8/394-397, 354, 355, 356, 24, 25, 27, 29;  
248/62, 313; 269/3, 6, 143, 165, 240, 249;  
81/355, 356, 353, 487, 476; 29/257, 276;  
D24/128; D23/265

See application file for complete search history.

(56) **References Cited**

**U.S. PATENT DOCUMENTS**

D307,541 S	*	5/1990	Tres	.....	D8/396
D344,672 S	*	3/1994	Current	.....	D8/396
D376,974 S	*	12/1996	Chen	.....	D8/396
D411,298 S	*	6/1999	Godwin et al.	.....	D24/128
D516,417 S	*	3/2006	Gimpel et al.	.....	D8/396
D536,607 S	*	2/2007	Bekkevold	.....	D8/396
D537,334 S	*	2/2007	Lee	.....	D8/396
D553,971 S	*	10/2007	Krueger	.....	D8/396
D570,206 S	*	6/2008	Jackson	.....	D8/396

D574,228 S	*	8/2008	Johansson et al.	.....	D8/396
D574,702 S	*	8/2008	Stephens et al.	.....	D8/395
D577,423 S	*	9/2008	Dole	.....	D23/265
D577,988 S	*	10/2008	Wrase et al.	.....	D8/354

\* cited by examiner

*Primary Examiner*—T. Chase Nelson  
*Assistant Examiner*—David G Muller  
(74) *Attorney, Agent, or Firm*—David D. Winters

(57) **CLAIM**

The ornamental design for “clamp,” as shown and described.

**DESCRIPTION**

FIG. 1 is a left side perspective view of the clamp shown in open condition.

FIG. 2 is a left side view of the clamp shown in open condition.

FIG. 3 is a left side view of the clamp shown in unlocked condition, the right side view being a mirror image thereof.

FIG. 4 is a left side view of the clamp in locked condition, the right side being a mirror image thereof.

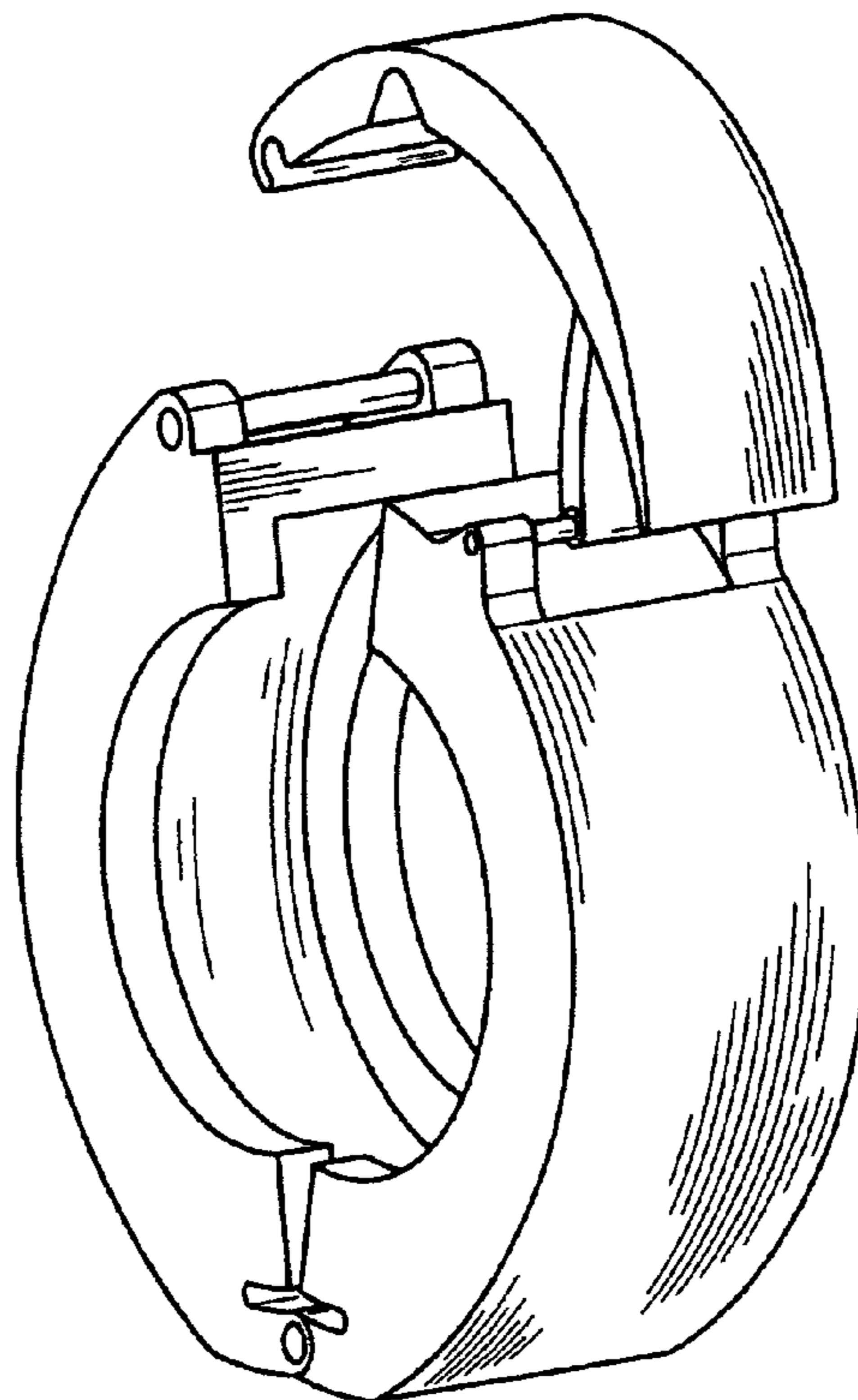
FIG. 5 is a back view of the in clamp locked condition.

FIG. 6 is a front view of the clamp in locked condition.

FIG. 7 is a top view of the clamp in locked condition; and,

FIG. 8 is a bottom view of the clamp in locked condition.

**1 Claim, 5 Drawing Sheets**



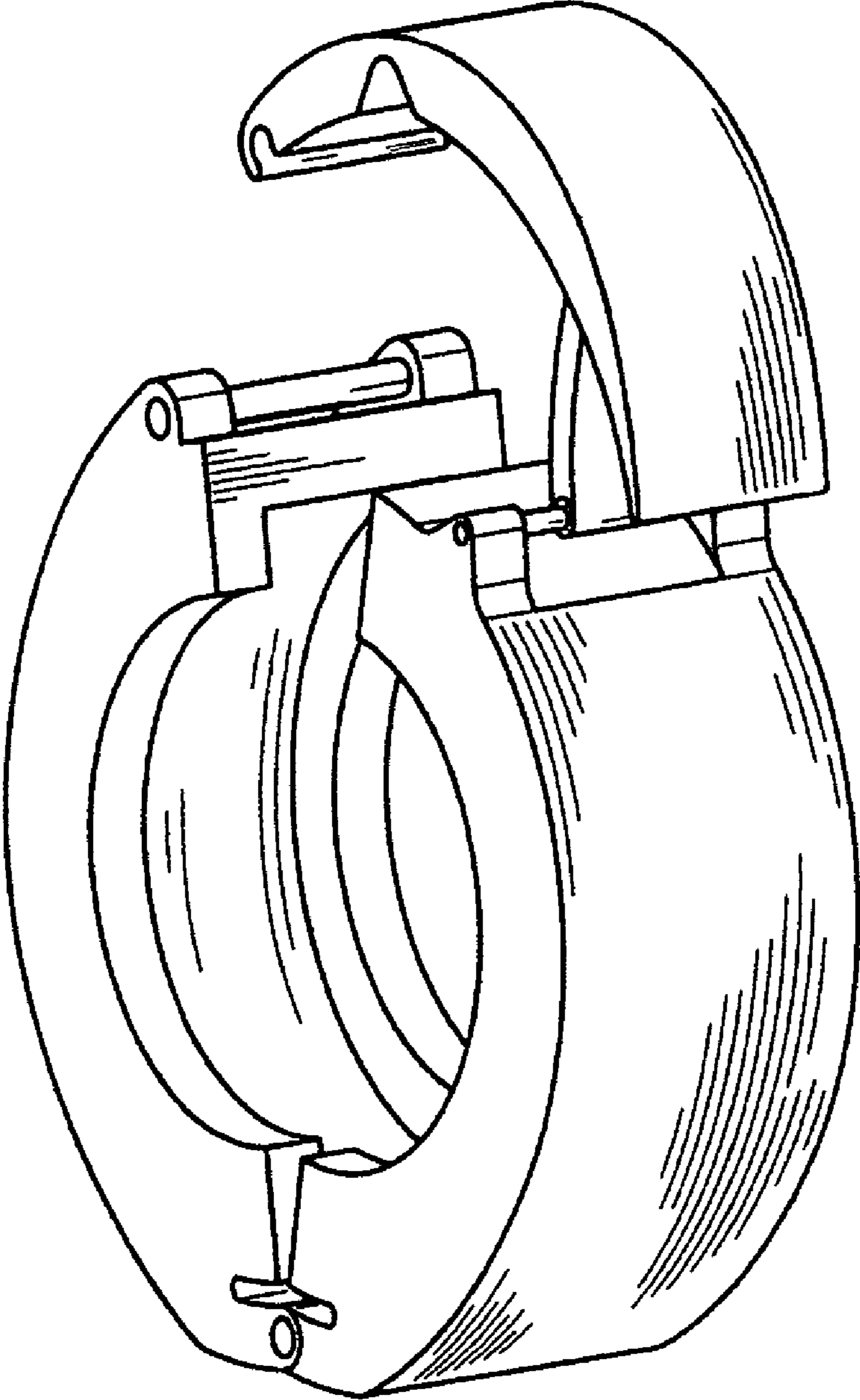


FIG. 1

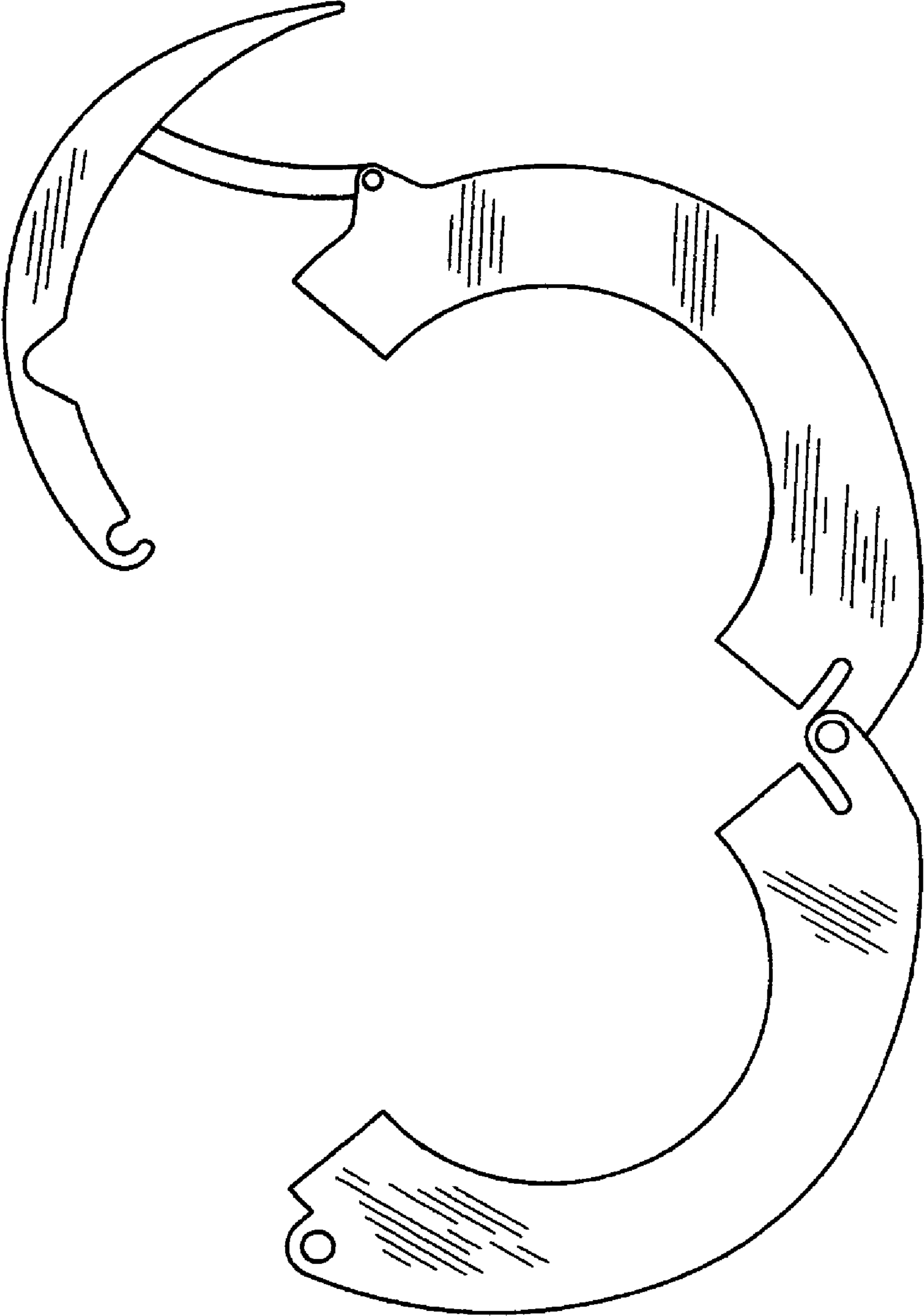


FIG. 2

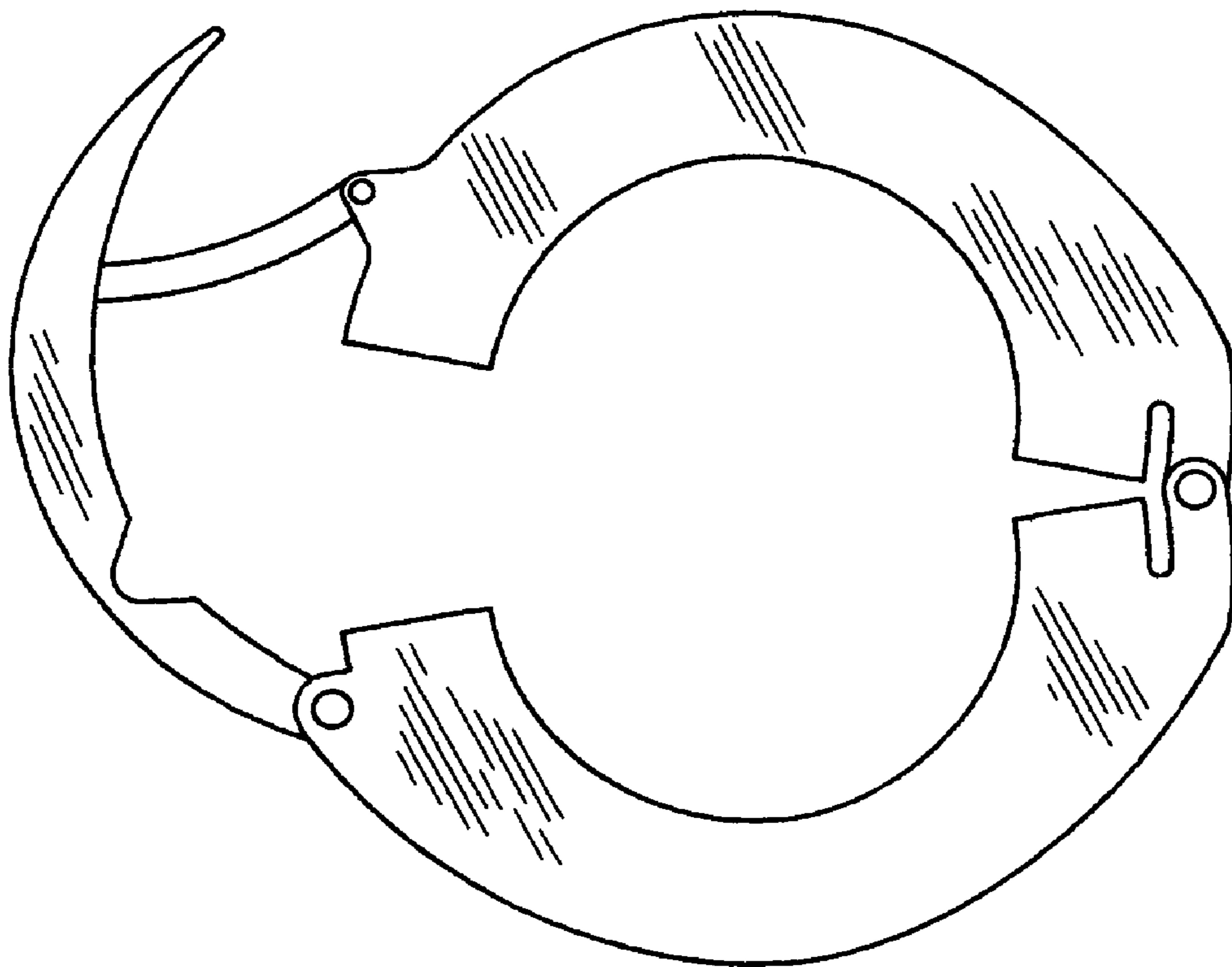


FIG. 3

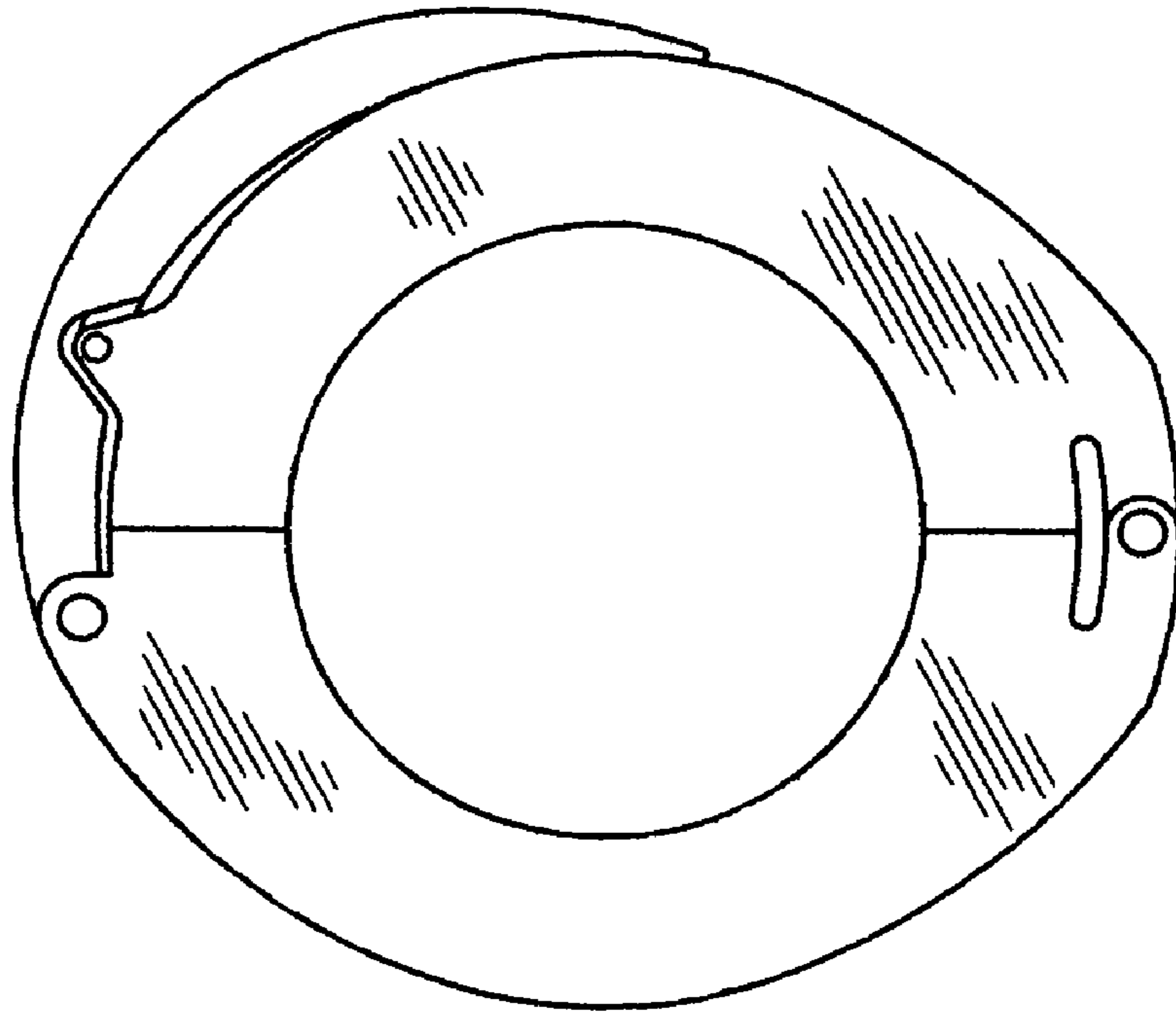


FIG. 4

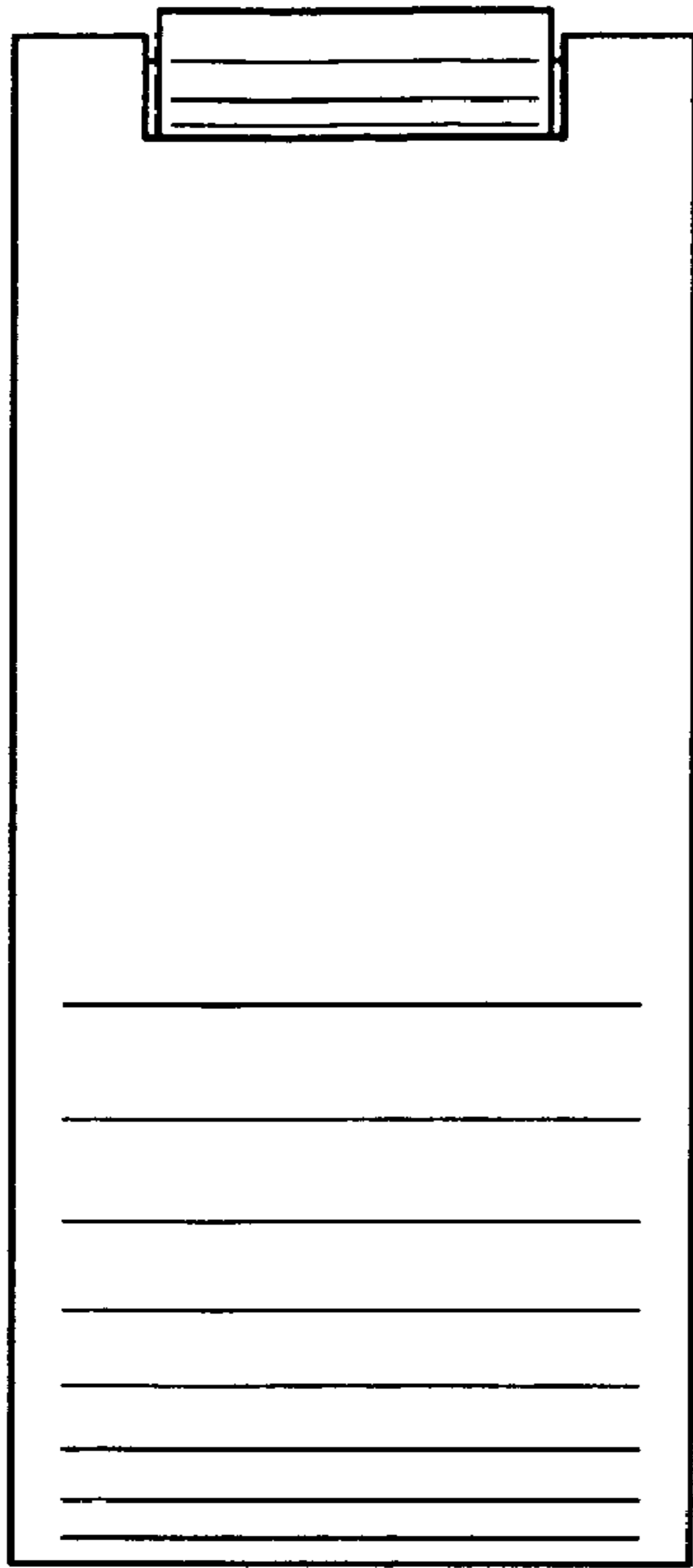


FIG. 5

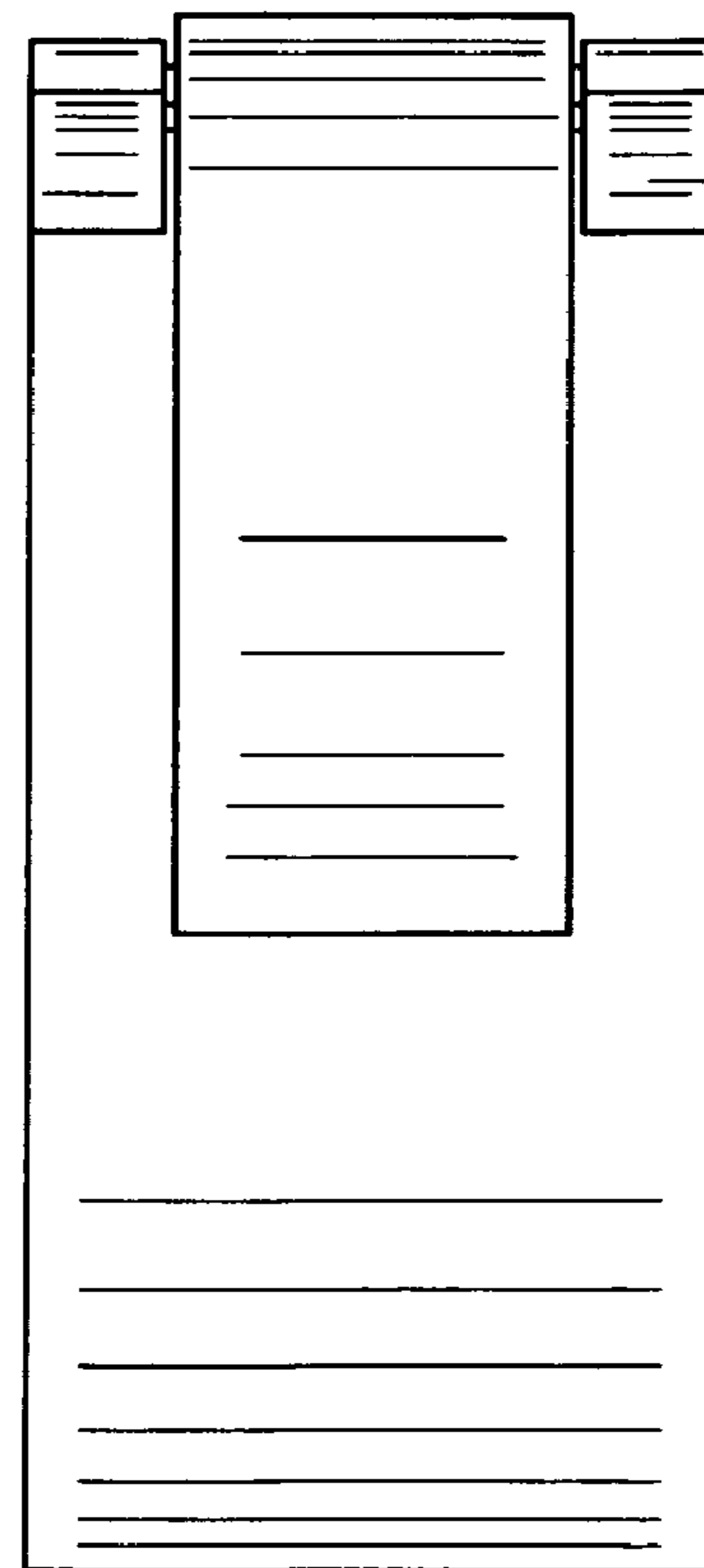


FIG. 6

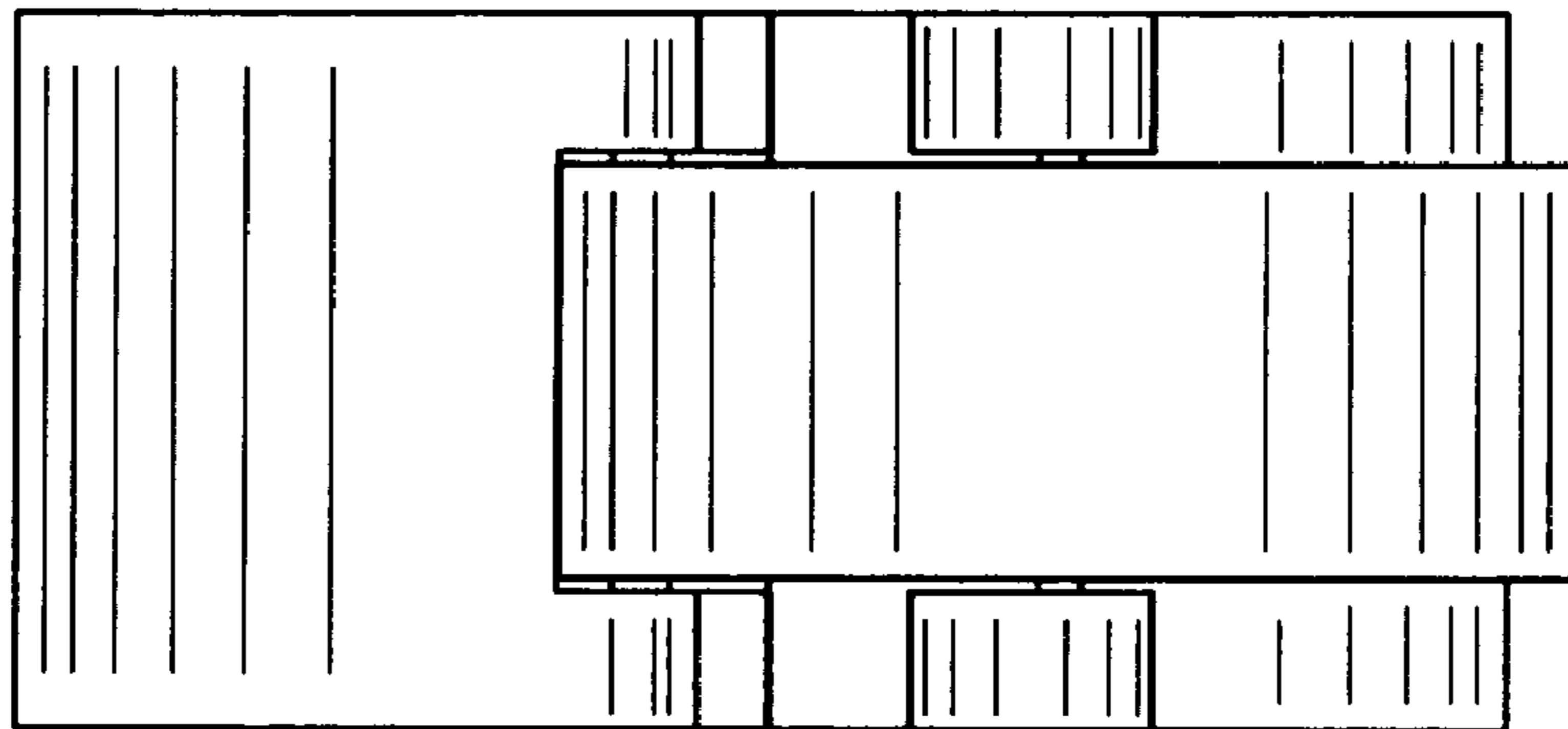


FIG. 7

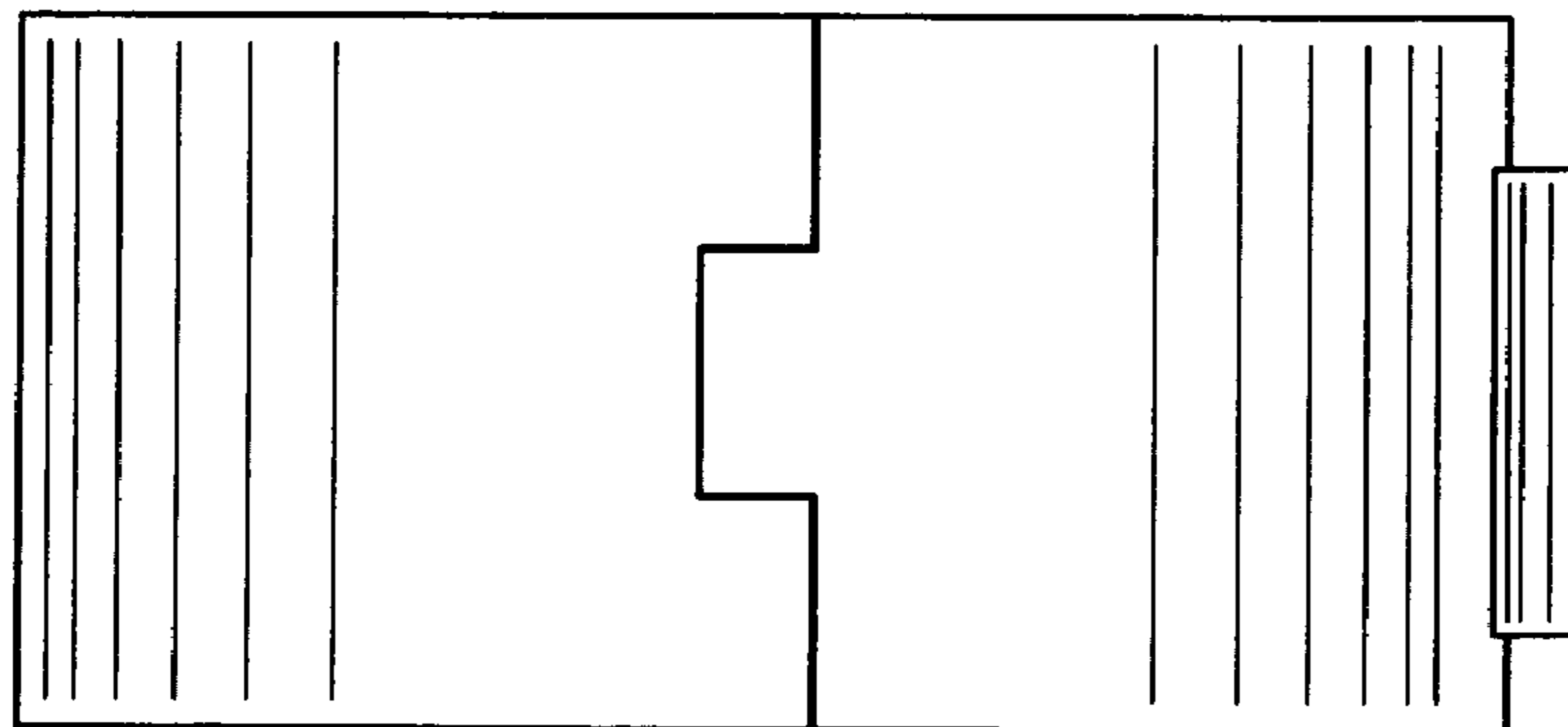


FIG. 8