



US00D584603S

(12) **United States Design Patent**
Reed

(10) **Patent No.:** **US D584,603 S**
(45) **Date of Patent:** **** Jan. 13, 2009**

(54) **FLOORING CLIP**

D479,146 S * 9/2003 Manley D11/78.1
D483,254 S * 12/2003 Sels D8/394

(75) Inventor: **Anthony Spencer Reed**, Twexbury
(GB)

FOREIGN PATENT DOCUMENTS

(73) Assignee: **Yorkshire Building Services (Whitwell)**
Ltd. (GB)

EP 0 945 659 A1 9/1999
WO WO 91/06145 A1 5/1991

(**) Term: **14 Years**

* cited by examiner

(21) Appl. No.: **29/241,000**

Primary Examiner—Robert M Spear
Assistant Examiner—John Windmuller
(74) *Attorney, Agent, or Firm*—Trexler, Bushnell,
Giangiorgi, Blackstone & Marr, Ltd.

(22) Filed: **Oct. 21, 2005**

(57) **CLAIM**

(51) **LOC (9) Cl.** **08-08**

(52) **U.S. Cl.** **D8/395**

(58) **Field of Classification Search** D8/356,
D8/394–396, 371; D19/65; 24/570, 67.9;
D32/60–64; D24/128; 248/74.2, 215, 227.1,
248/49, 300, 301, 316.7, 51, 489
See application file for complete search history.

The ornamental design for a flooring clip, as shown and described.

DESCRIPTION

(56) **References Cited**

U.S. PATENT DOCUMENTS

D73,198 S * 8/1927 Rachlin D8/394
D84,040 S * 4/1931 Kortz D8/394
3,584,348 A 6/1971 Soltysik
D229,030 S * 11/1973 Kitson D8/380
D252,256 S * 7/1979 Kline D8/395
D401,211 S * 11/1998 Simpson D12/223
6,327,749 B1 * 12/2001 Antinone 24/67 R

The claimed flooring clip is used with a series of similar clips along the upper edge of a timber joist, the two “U” clips being adapted to receive and support piping, e.g., of plastics, of a central heating system.

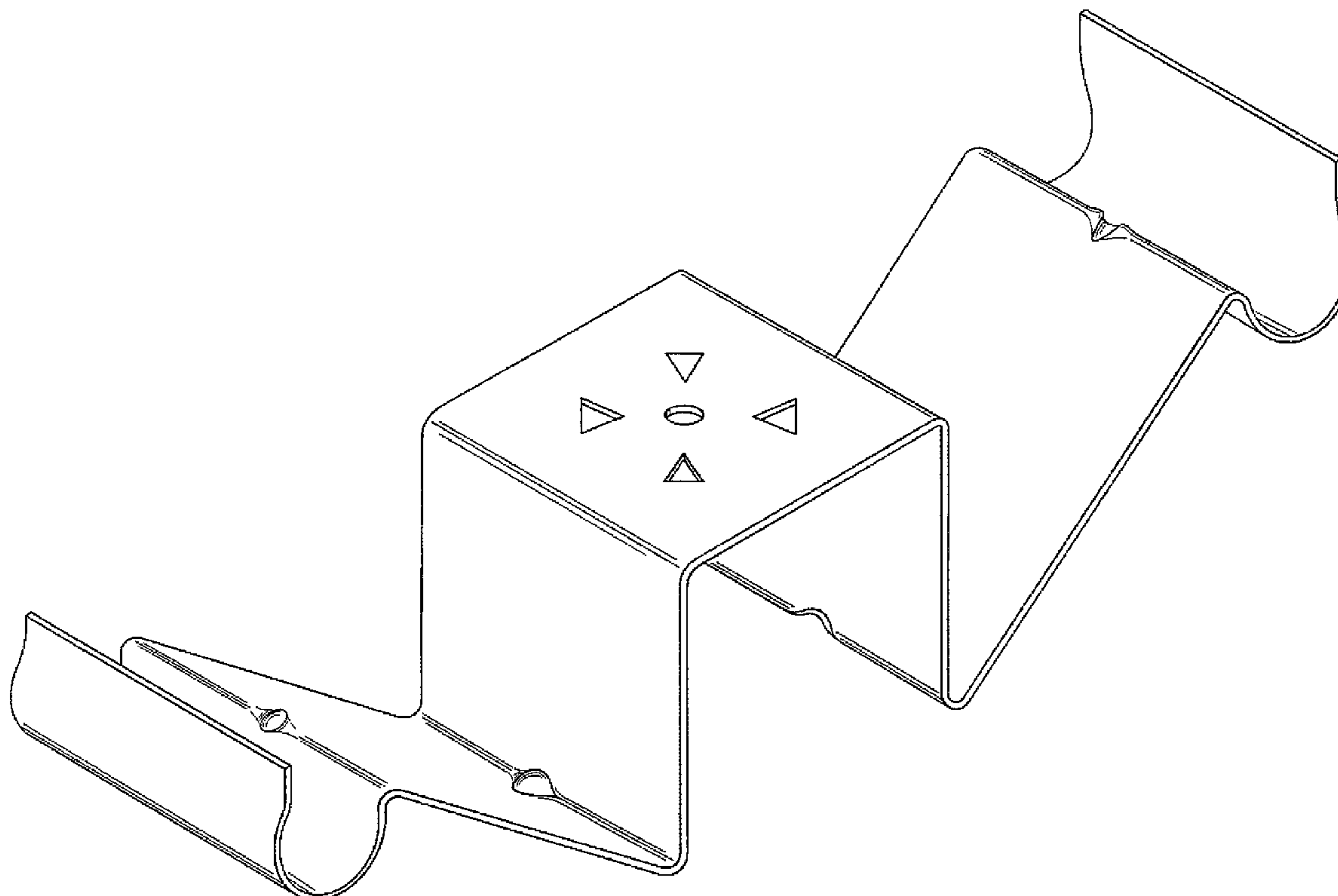
FIG. 1 is a front perspective view of a flooring clip showing our new design;

FIG. 2 is a top plan view thereof;

FIG. 3 is a front elevation view thereof; and,

FIG. 4 is a side elevation view thereof.

1 Claim, 2 Drawing Sheets



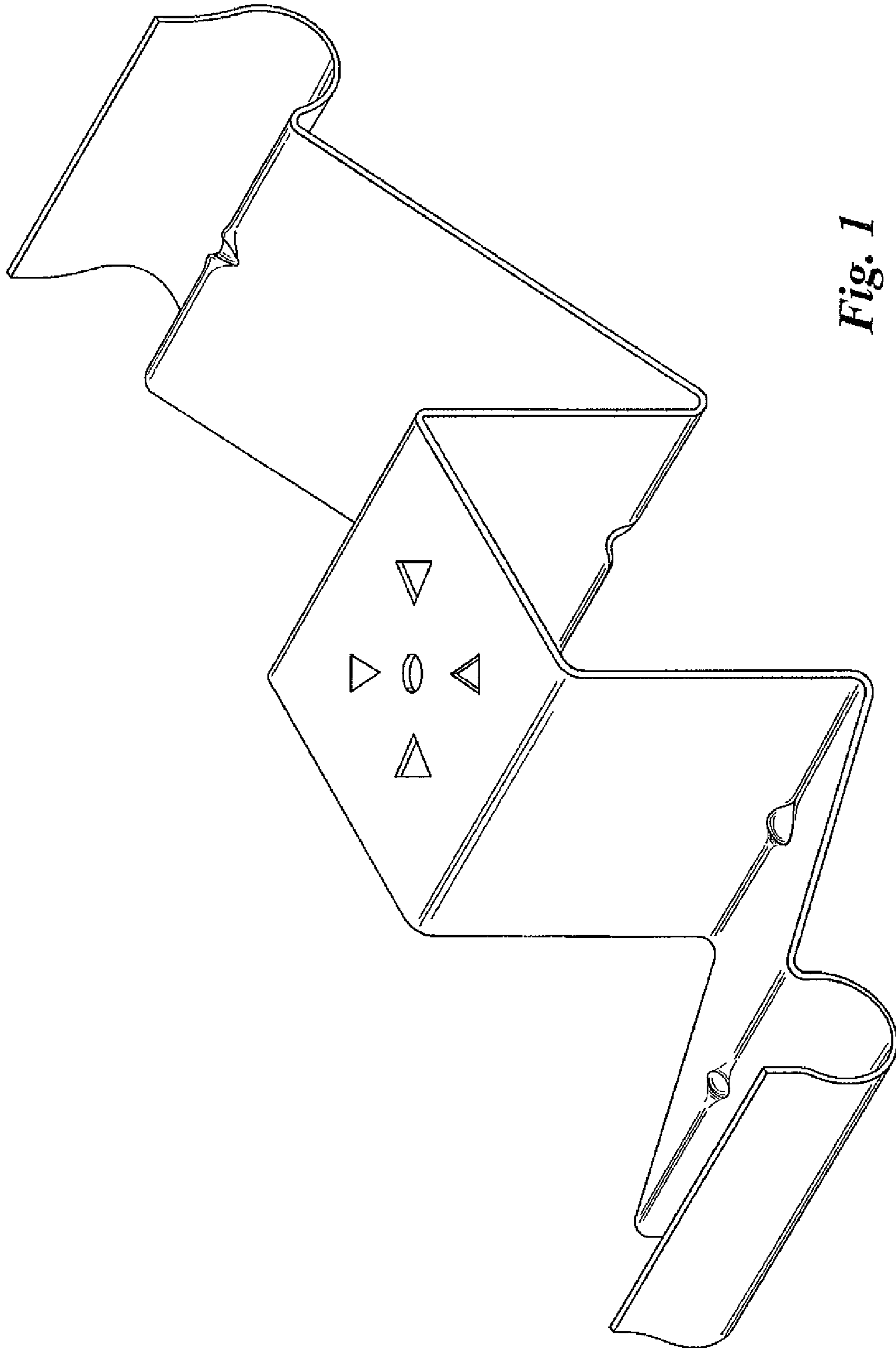


Fig. 1

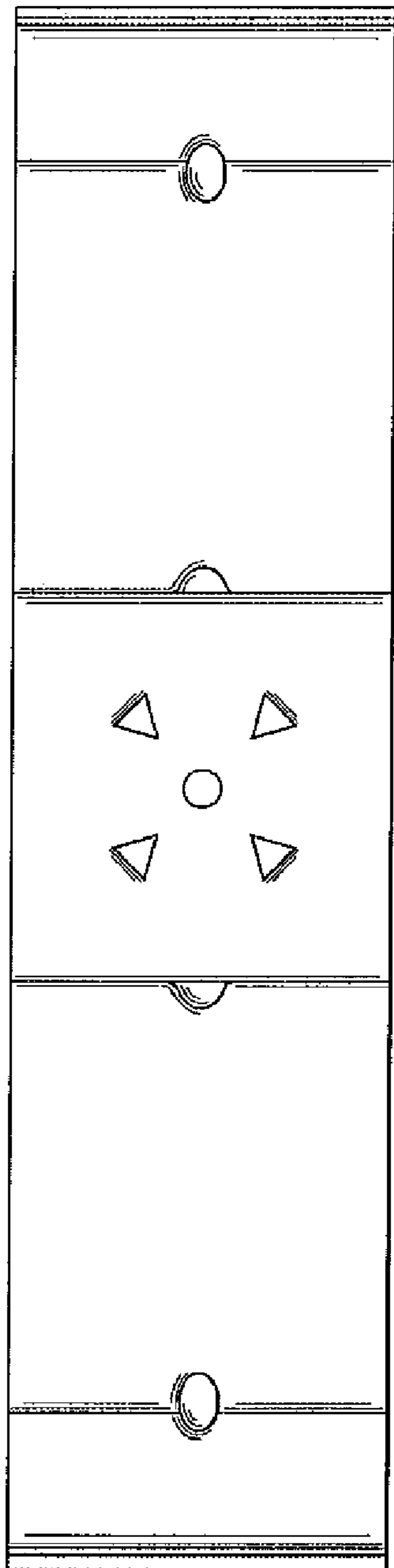


Fig. 2

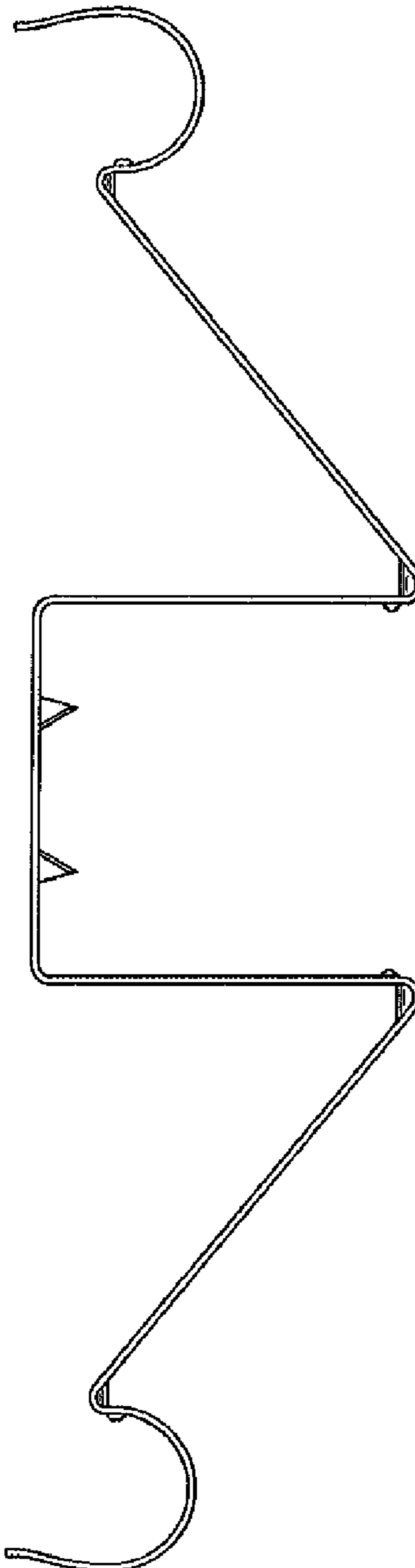


Fig. 3

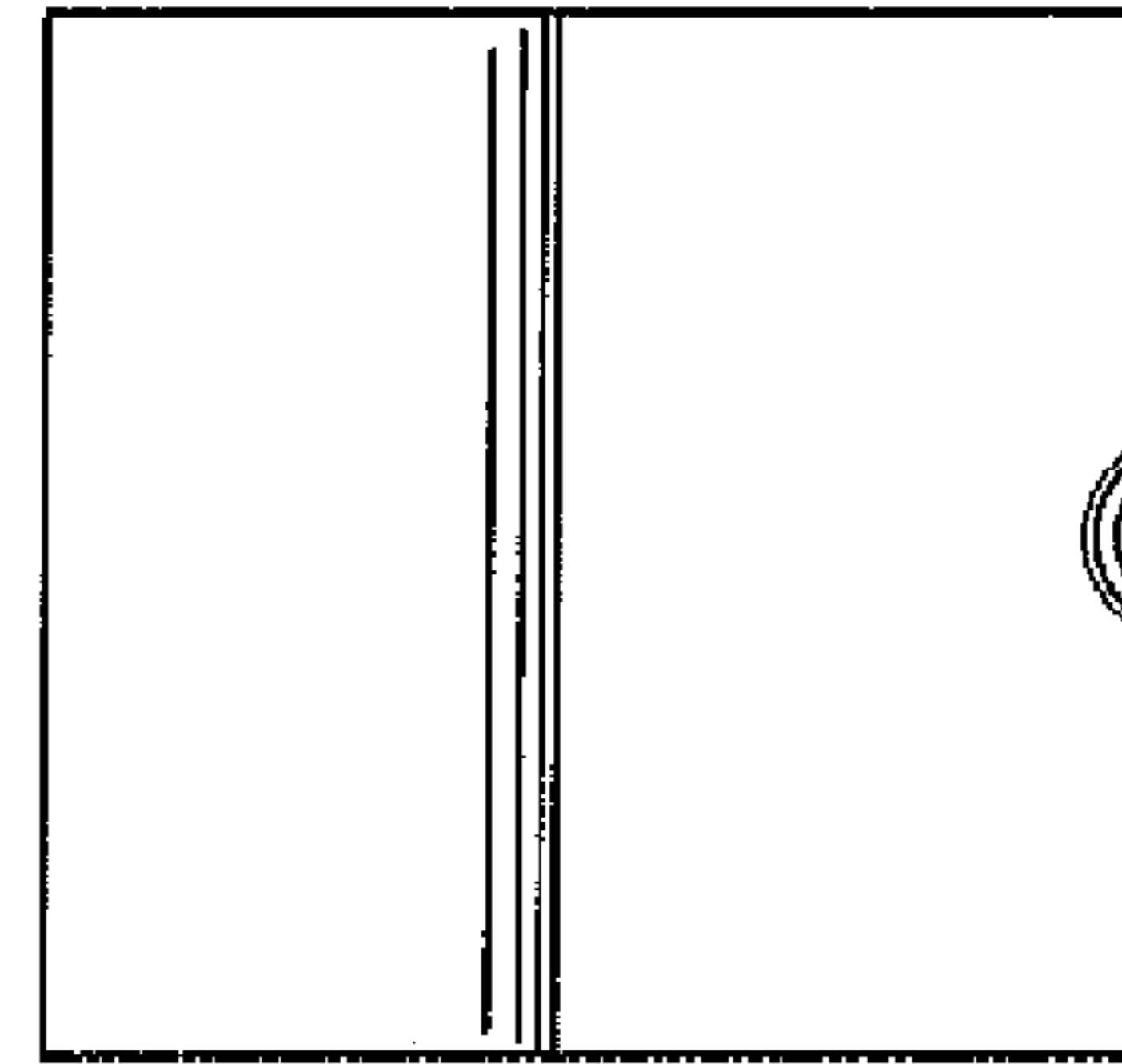


Fig. 4