



US00D584600S

(12) **United States Design Patent**
Belcher et al.

(10) **Patent No.:** **US D584,600 S**
(45) **Date of Patent:** **** Jan. 13, 2009**

(54) **RE-LOADABLE REEL**

6,629,658 B2 * 10/2003 Lu 242/370

(75) Inventors: **Brett Belcher**, Toronto (CA); **Graham Sharples**, Toronto (CA)

* cited by examiner

Primary Examiner—Susan B Hattan

(73) Assignee: **Mibro Partners**, Scarborough, ON (CA)

(74) *Attorney, Agent, or Firm*—Nancy E. Hill; Hill & Schumacher

(**) Term: **14 Years**

(57) **CLAIM**

(21) Appl. No.: **29/294,001**

The ornamental design for a re-loadable reel, as shown and described.

(22) Filed: **Dec. 20, 2007**

DESCRIPTION

(51) **LOC (9) Cl.** **08-05**

(52) **U.S. Cl.** **D8/358; D8/359**

(58) **Field of Classification Search** D8/381,
D8/380, 373, 363, 359, 358, 354, 350, 349;
D34/17; D14/253; D13/154; D12/211;
D10/72; 33/769; 248/264, 251, 916; 242/608.8,
242/608.4, 601, 600, 570, 395, 370; 137/355.27,
137/355.23; 104/113

FIG. 1 is a front perspective view of a re-loadable reel showing our new design;

FIG. 2 is a rear perspective view thereof;

FIG. 3 is a rear elevational view thereof;

FIG. 4 is a front elevational view thereof;

FIG. 5 is a left side view thereof, a view from the left side being a mirror image thereof;

FIG. 6 is top plan view thereof; and,

FIG. 7 is a bottom plan view thereof.

See application file for complete search history.

The broken lines in the drawings depict environmental subject matter only and form no part of the claimed design.

(56) **References Cited**

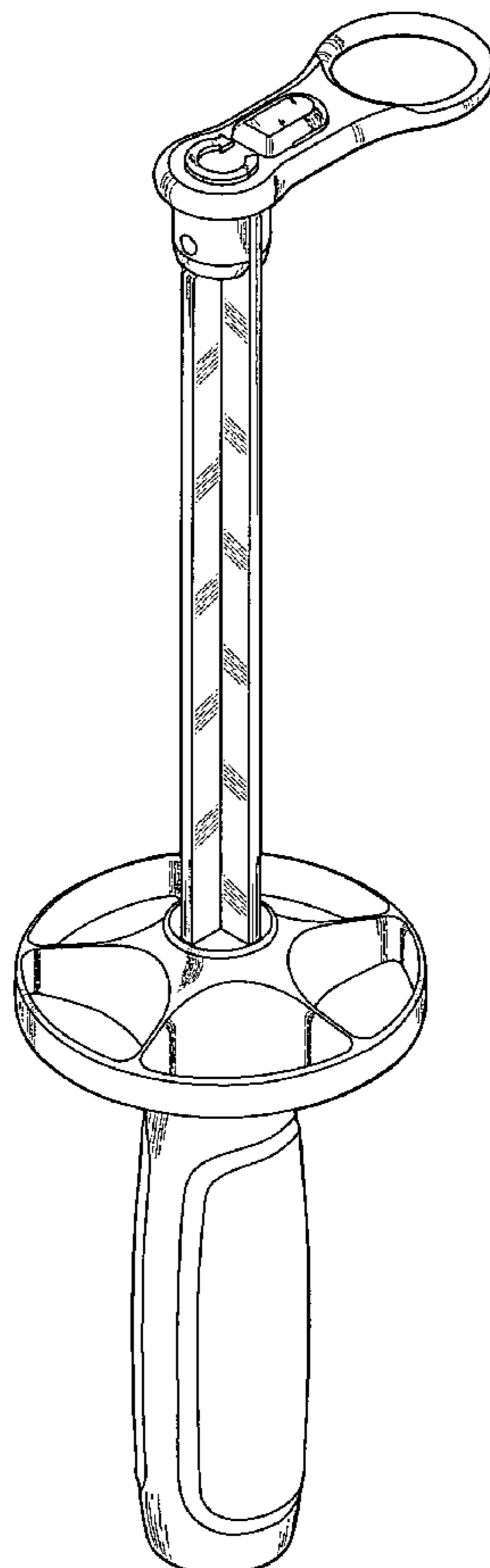
U.S. PATENT DOCUMENTS

D365,013 S * 12/1995 Fujino D8/359

D402,882 S * 12/1998 McBain D8/358

D477,888 S * 7/2003 Kovacik et al. D26/38

1 Claim, 7 Drawing Sheets



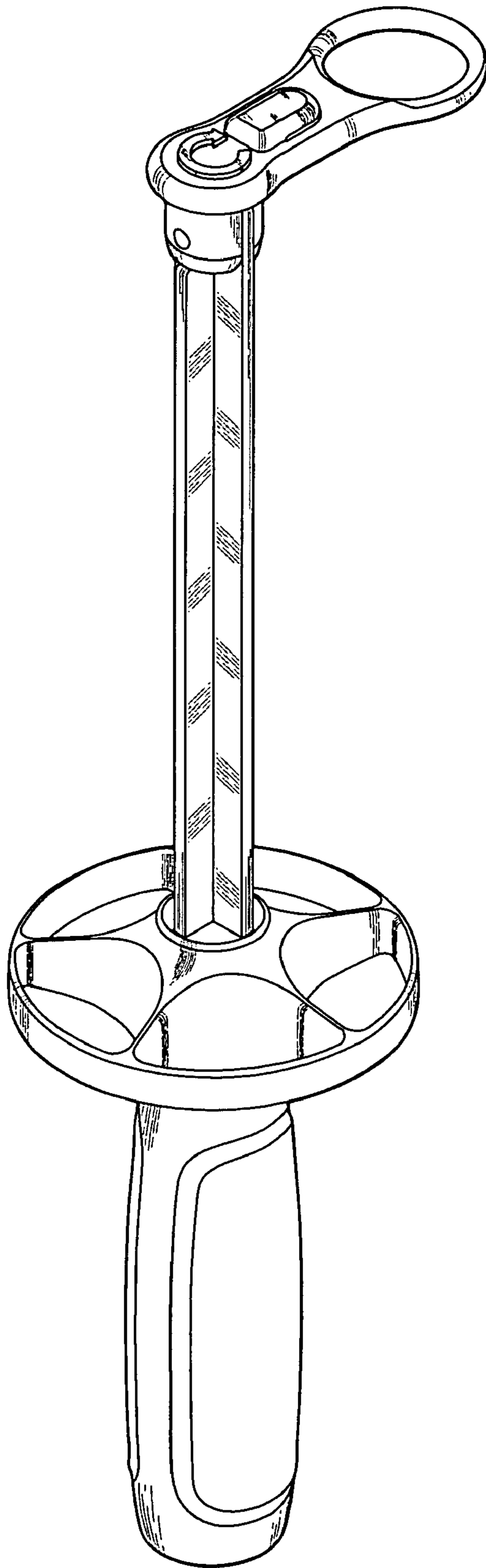


FIG. 1

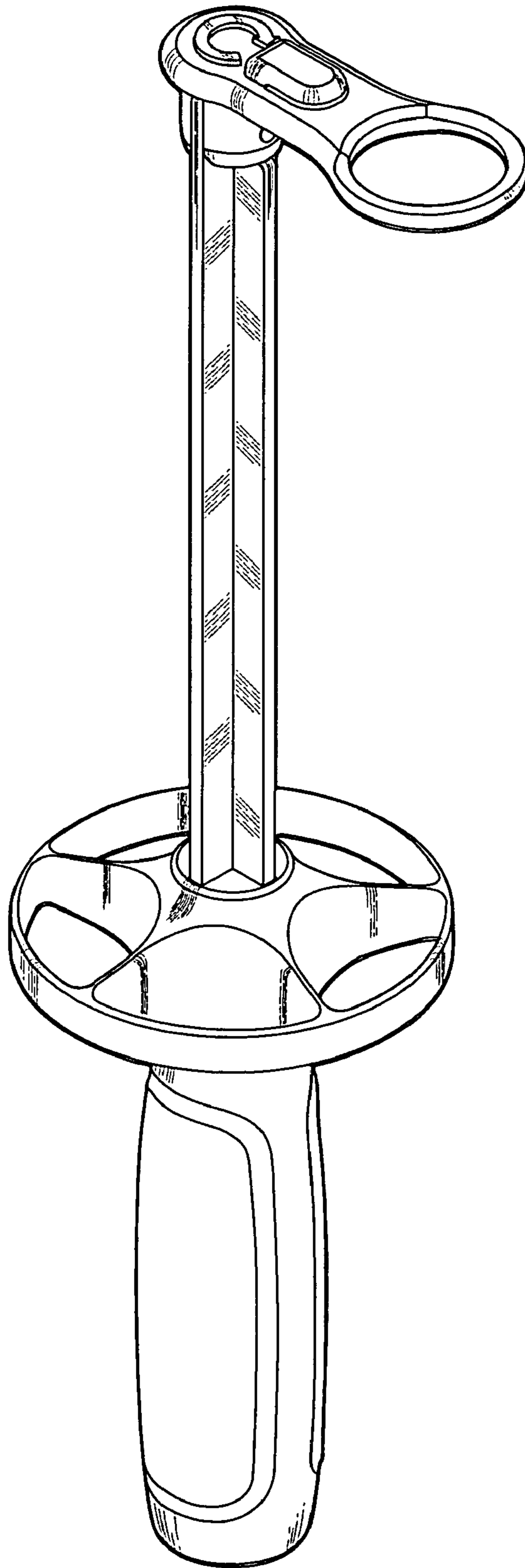


FIG. 2

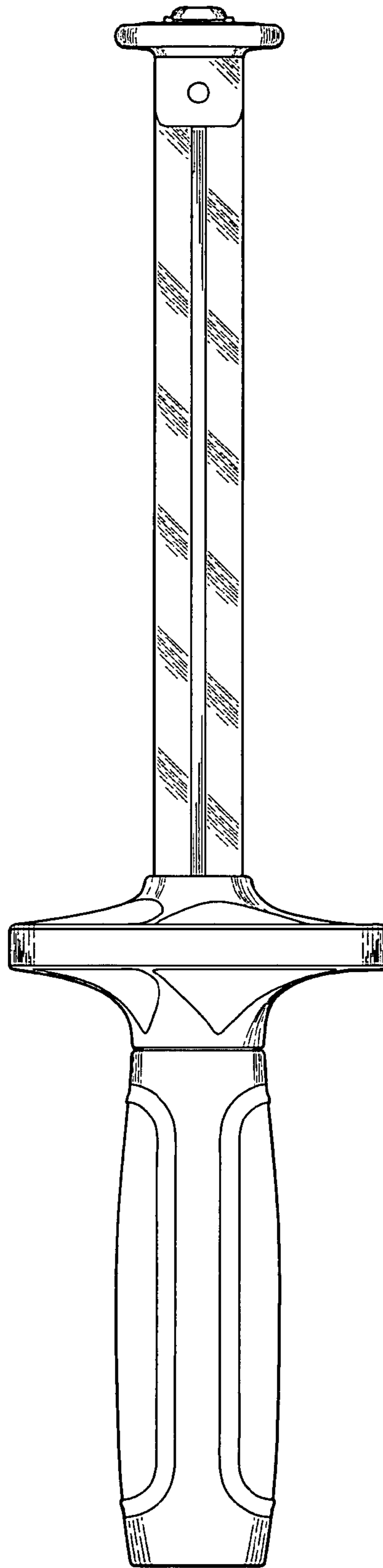


FIG. 3

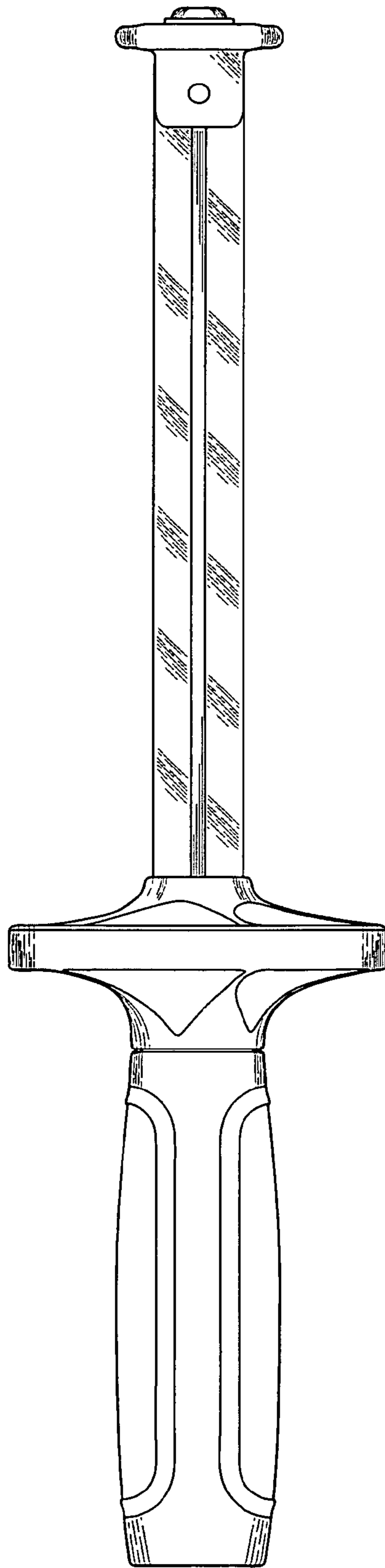


FIG. 4

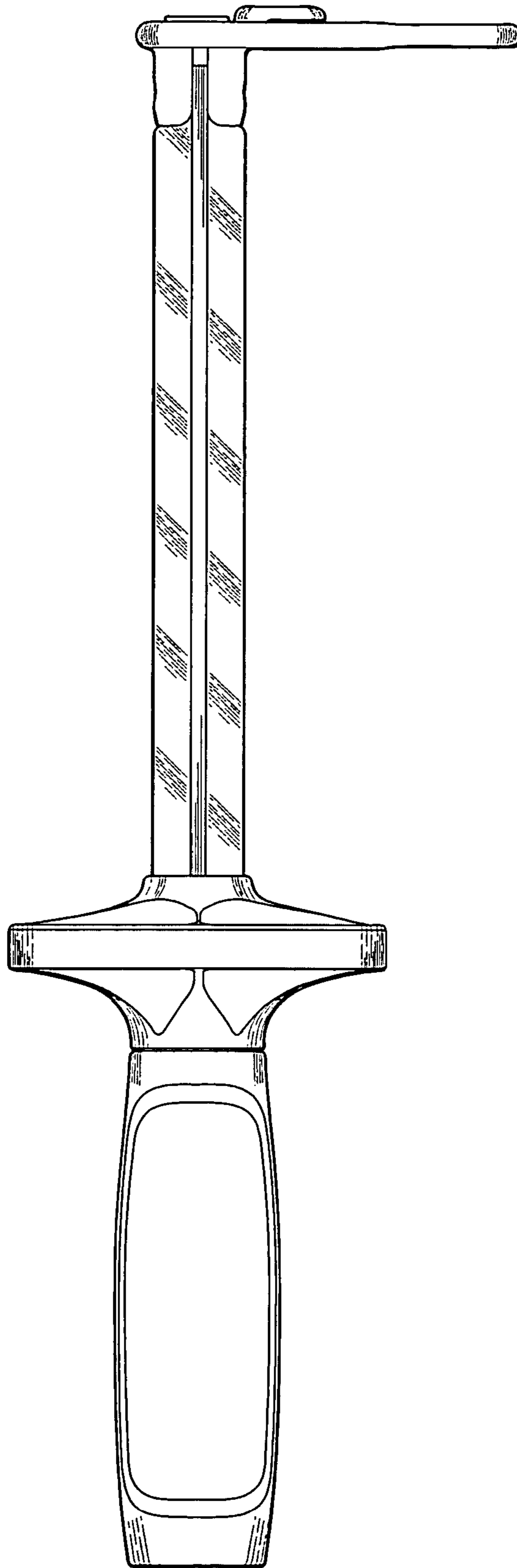


FIG. 5

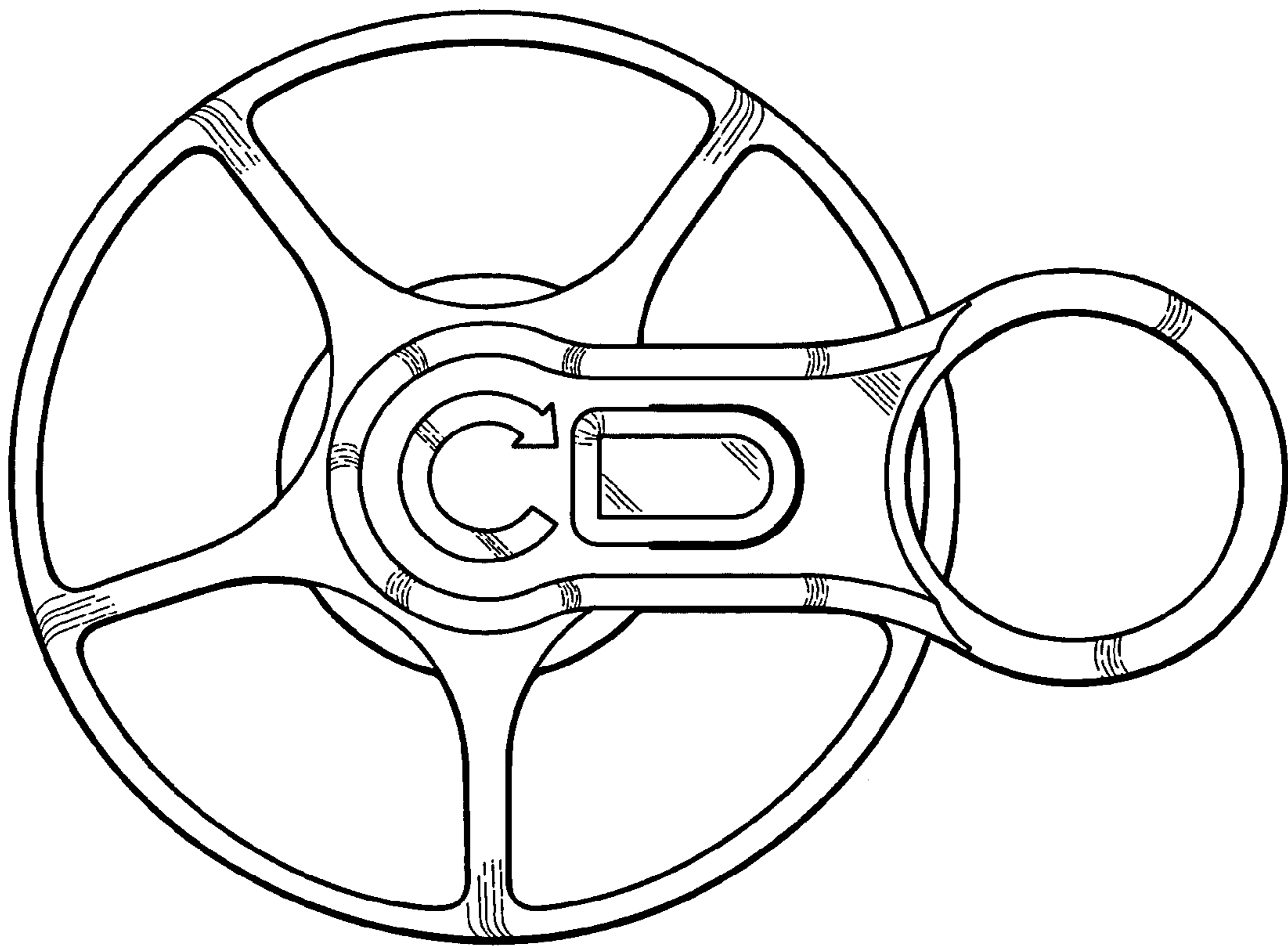


FIG. 6

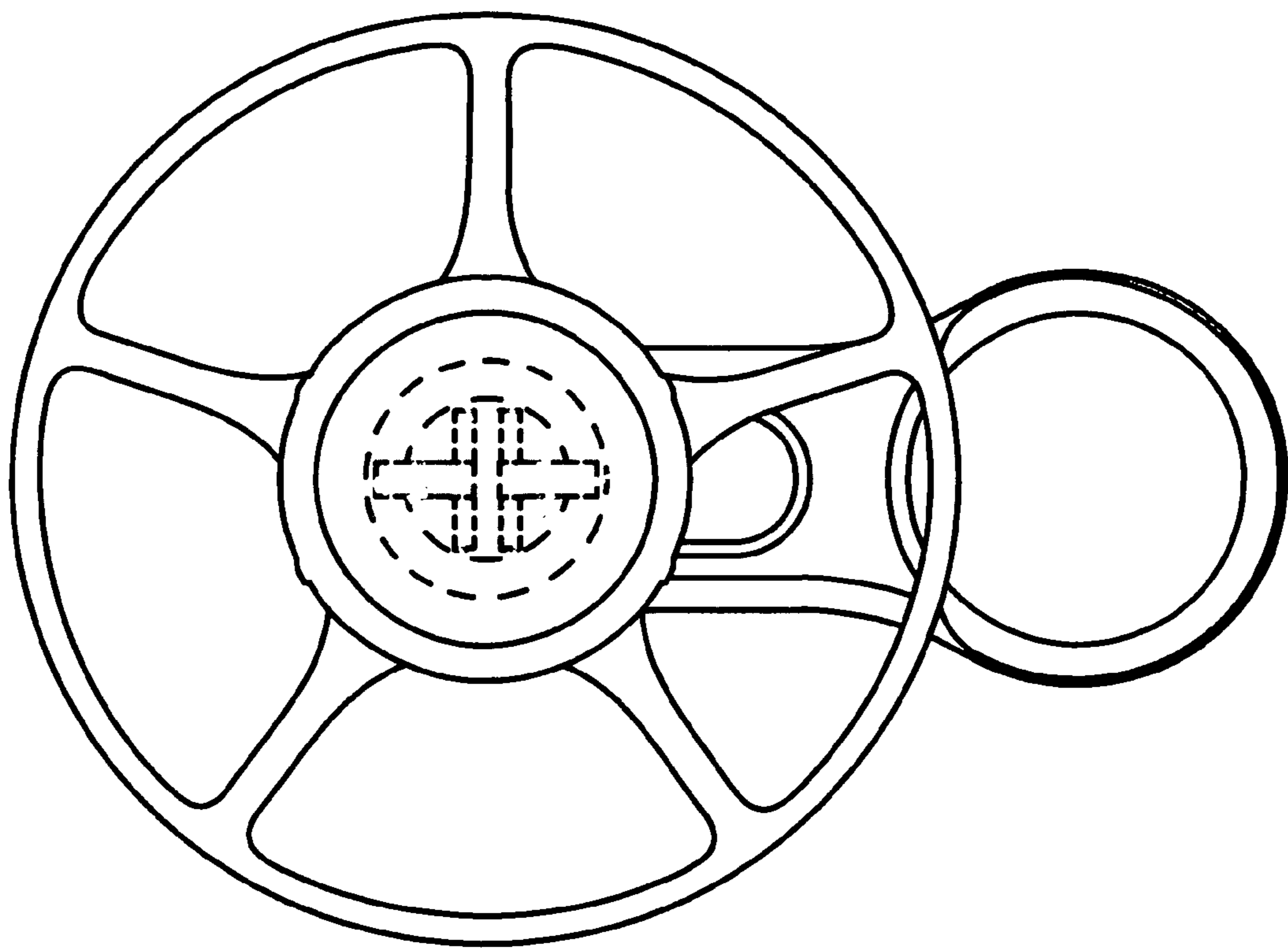


FIG. 7