



US00D584599S

(12) **United States Design Patent**
Chavez

(10) **Patent No.:** **US D584,599 S**
(45) **Date of Patent:** **** Jan. 13, 2009**

(54) **NON-CRIMPING TUBING ATTACHMENT**

(76) **Inventor:** **Joel Chavez**, 8235 N. Coffelt Cemetery Rd., Bentonville, AR (US) 72712

(**) **Term:** **14 Years**

(21) **Appl. No.:** **29/294,823**

(22) **Filed:** **Jan. 29, 2008**

(51) **LOC (9) Cl.** **08-08**

(52) **U.S. Cl.** **D8/356**

(58) **Field of Classification Search** D8/105,
D8/107, 333, 349, 354, 356, 358, 367, 373,
D8/382, 383, 394-396, 400; 24/18, 197,
24/561; 174/153 G, 650, 656; 242/400.1,
242/405.1, 405.2, 600, 603; 248/65, 74.1-74.4,
248/201, 214, 215, 229.26, 302, 304, 316.7,
248/316.8; 439/367, 369, 371, 472, 501,
439/535

See application file for complete search history.

(56) **References Cited**

U.S. PATENT DOCUMENTS

D195,296 S *	5/1963	Willinger	D23/209
3,599,920 A *	8/1971	Hoegerl	248/240
3,714,619 A *	1/1973	Morgan et al.	367/173
D243,655 S *	3/1977	Matousek et al.	D8/354
4,029,276 A *	6/1977	Zielie	248/74.1
D281,393 S *	11/1985	Karnhag et al.	D8/373
D340,226 S *	10/1993	Sachs	D13/154
5,407,263 A *	4/1995	Jones et al.	312/265.1
D368,218 S *	3/1996	Klein, III	D8/354
D368,646 S *	4/1996	Leblhuber	D8/354
5,524,327 A *	6/1996	Mickel et al.	24/115 A

D378,313 S *	3/1997	Doyle	D24/128
D389,731 S *	1/1998	Forbis	D8/395
D403,016 S *	12/1998	Bedol et al.	D19/32
D408,269 S *	4/1999	Ross	D8/356
D477,770 S *	7/2003	Baker et al.	D8/373
7,336,484 B2 *	2/2008	McAnally et al.	361/686
D572,116 S *	7/2008	Schaefer	D8/354
7,401,380 B2 *	7/2008	Herring et al.	16/268

* cited by examiner

Primary Examiner—T. Chase Nelson

Assistant Examiner—Karen Acker

(74) *Attorney, Agent, or Firm*—Keisling Pieper & Scott PLC;
Stephen D. Schrantz; Treat C. Keisling

(57) **CLAIM**

The ornamental design for a non-crimping tubing attachment, as shown and described.

DESCRIPTION

FIG. 1 is an isometric view of a non-crimping tubing attachment showing my new design;

FIG. 2 is a front elevational view of the design of FIG. 1;

FIG. 3 is a left side elevational view of the design of FIG. 1;

FIG. 4 is a right side elevational view of the design of FIG. 1;

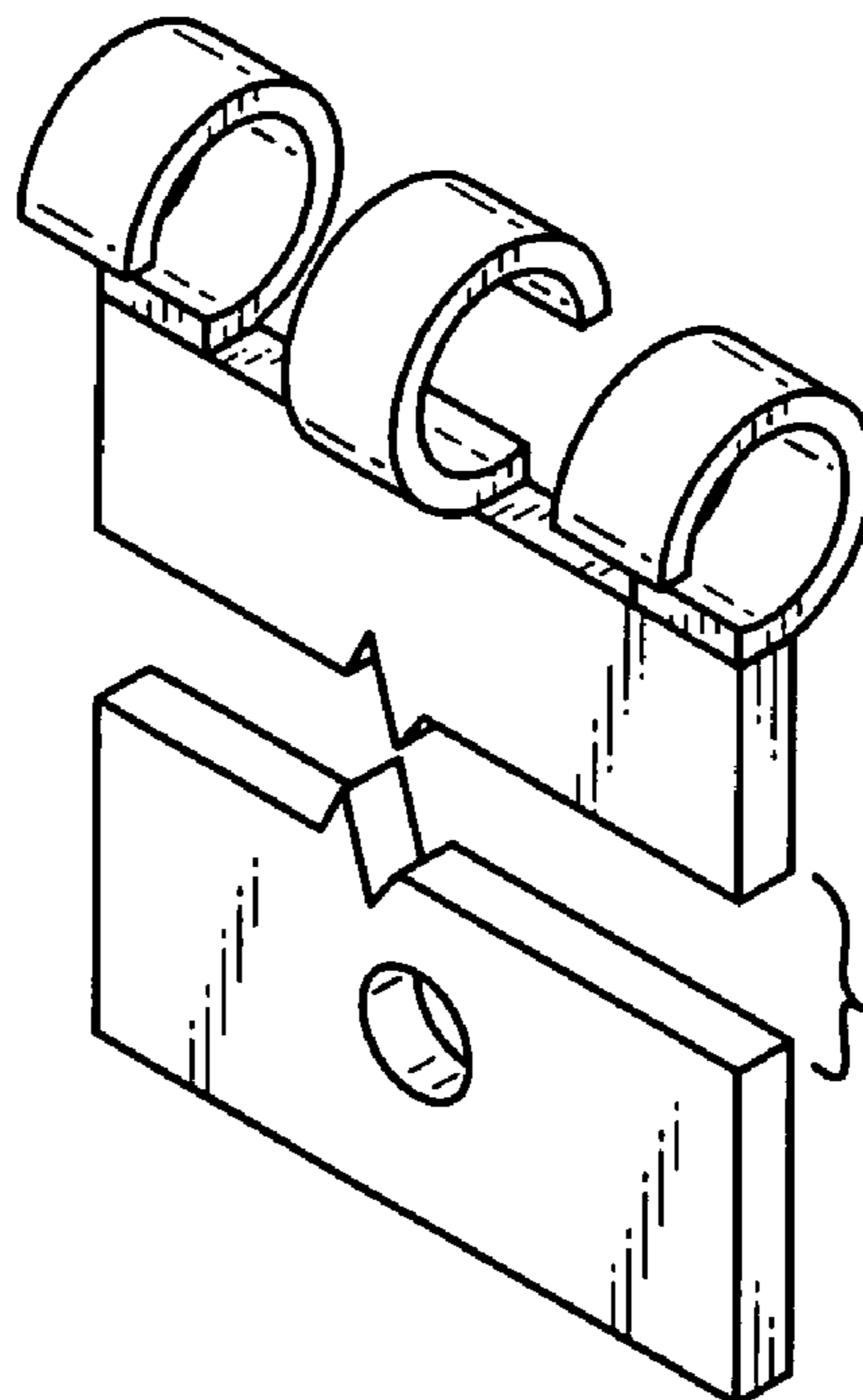
FIG. 5 is a rear elevational view of the design of FIG. 1;

FIG. 6 is a top plan view of the design of FIG. 1; and,

FIG. 7 is a bottom plan view of the design of FIG. 1.

The break shown in FIGS. 1, 3, 4 and 5 of the non-crimping tubing attachment indicates that no particular height is claimed.

1 Claim, 1 Drawing Sheet



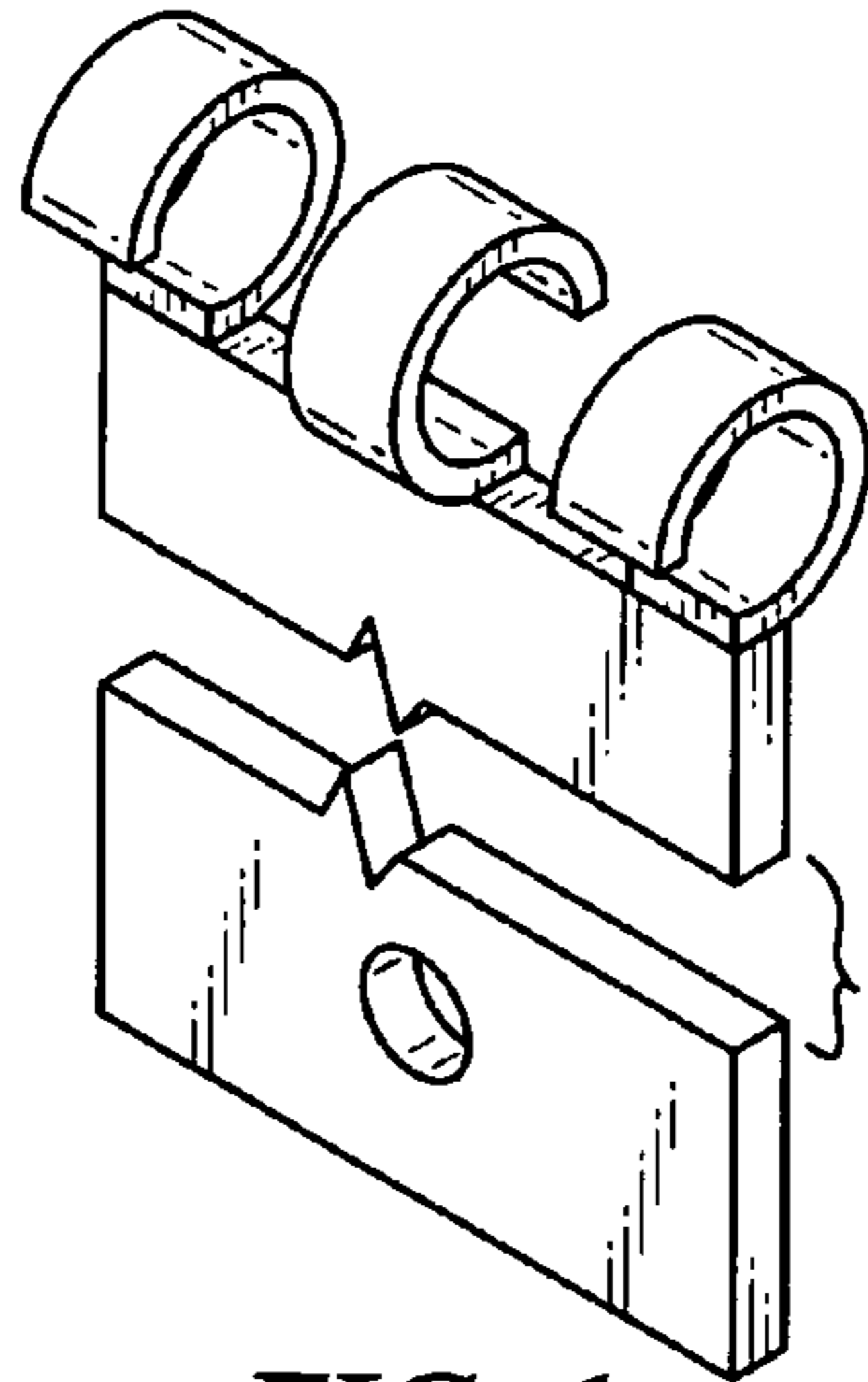


FIG. 1

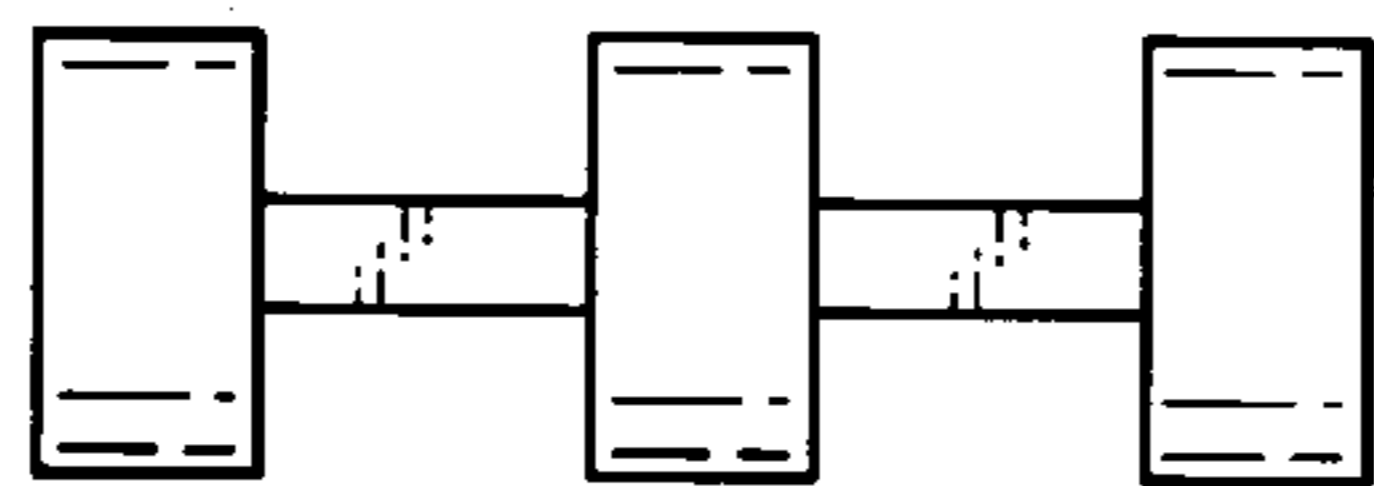


FIG. 6

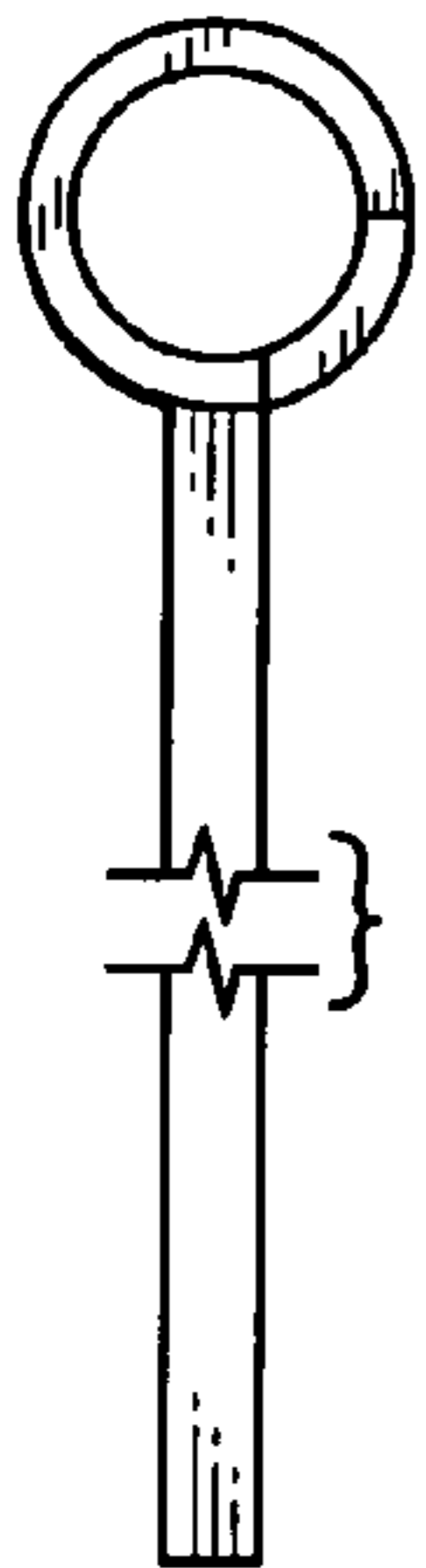


FIG. 3

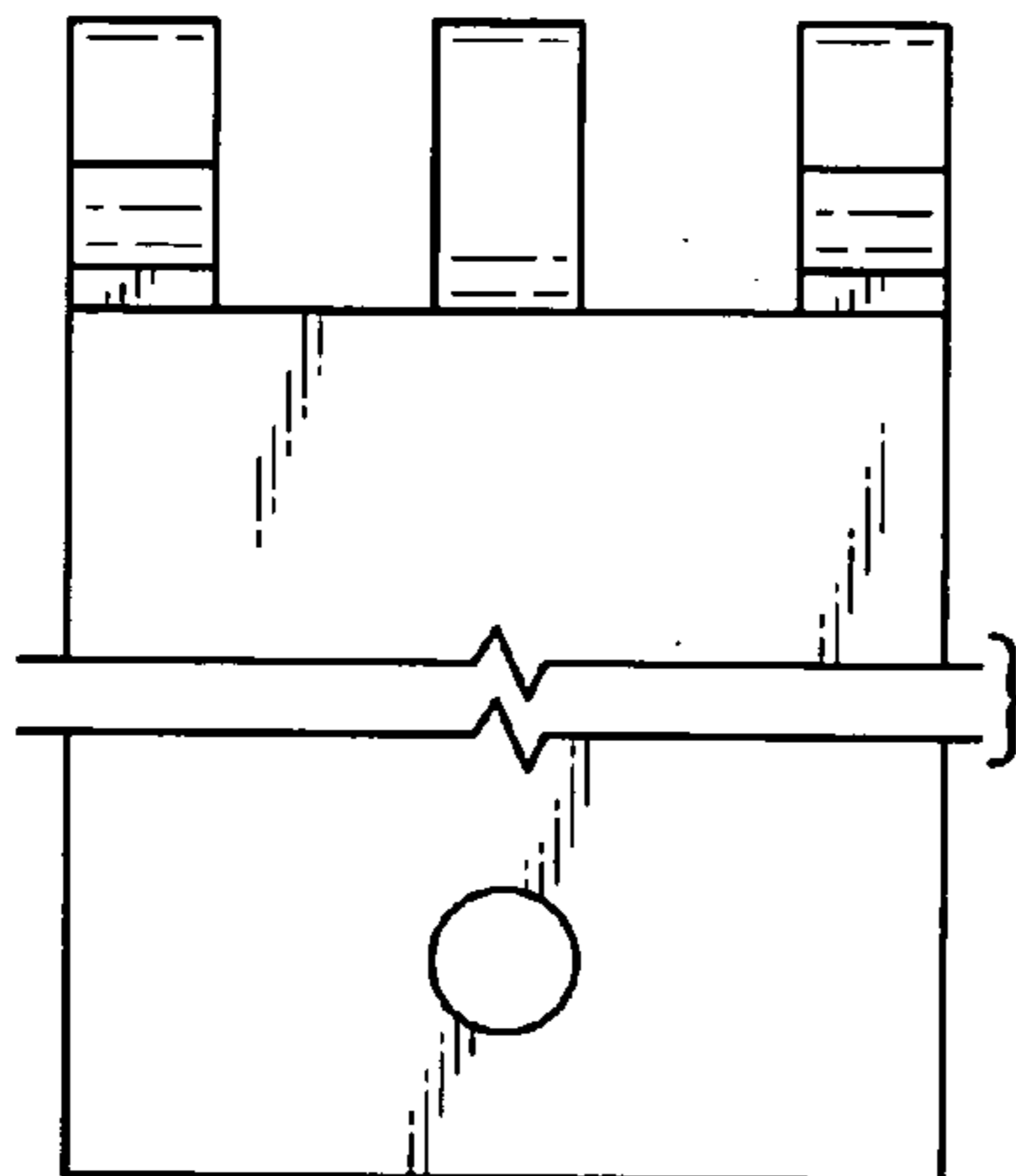


FIG. 2

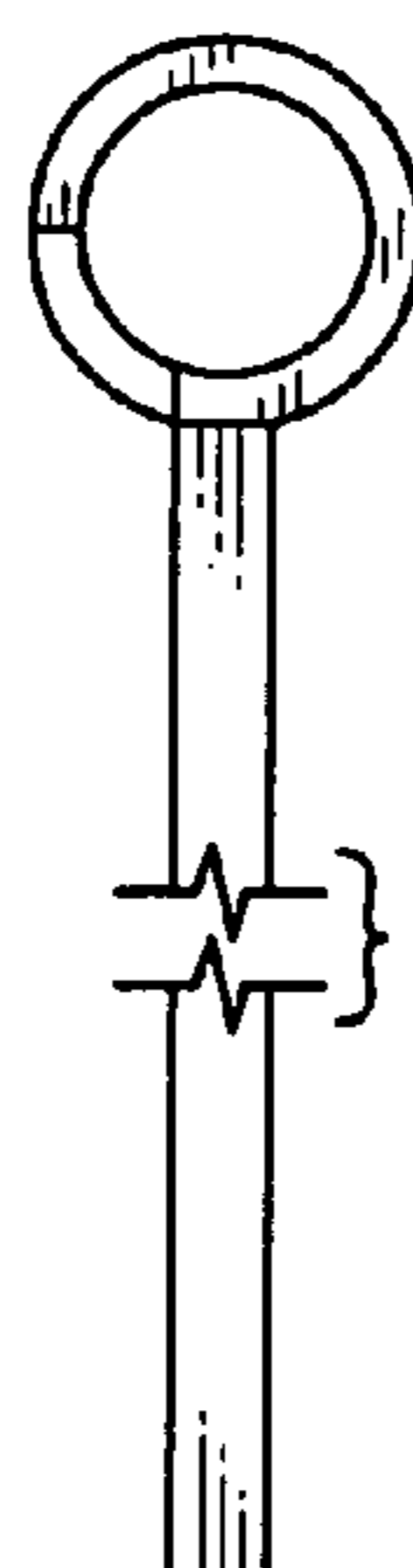


FIG. 4

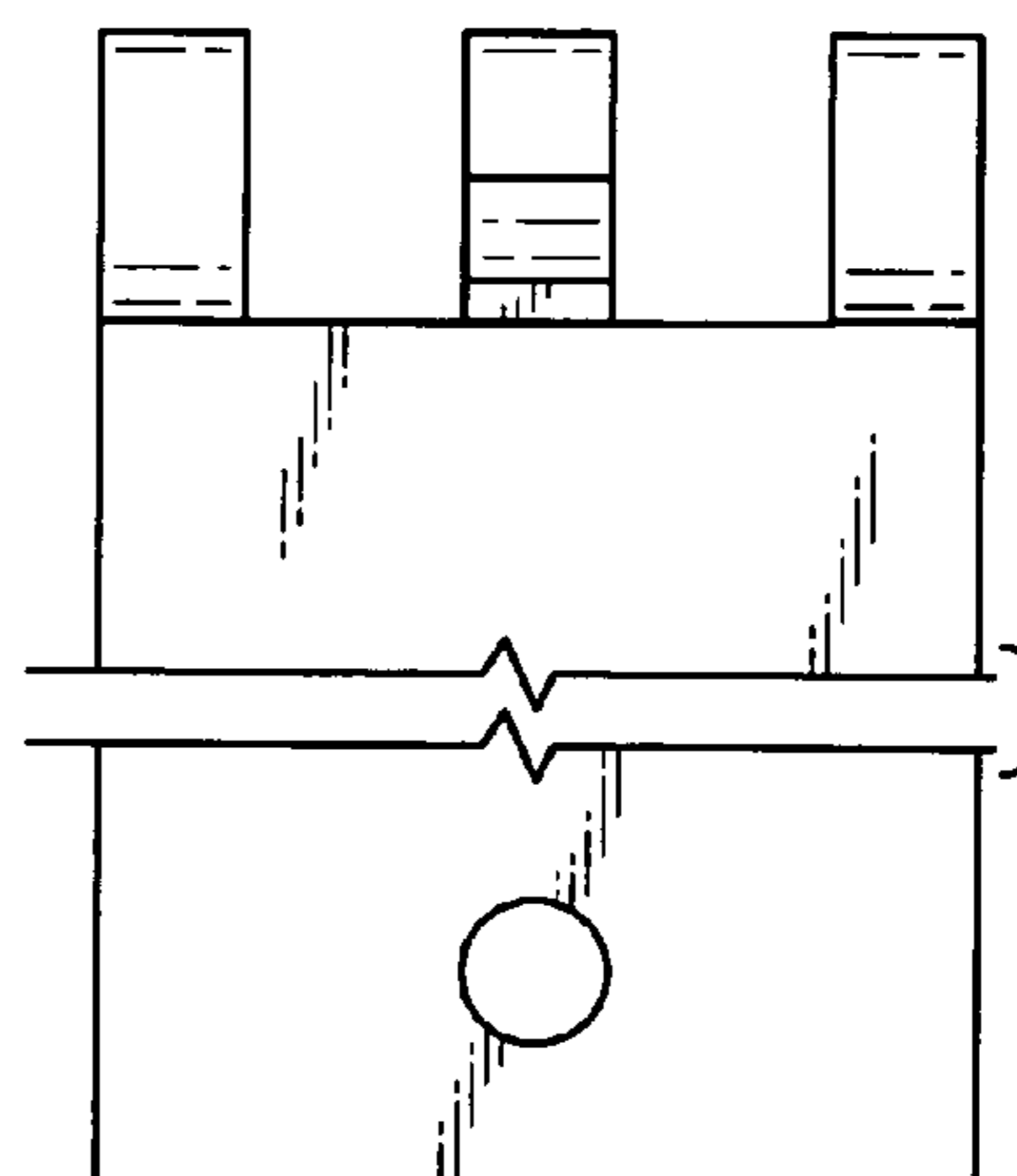


FIG. 5

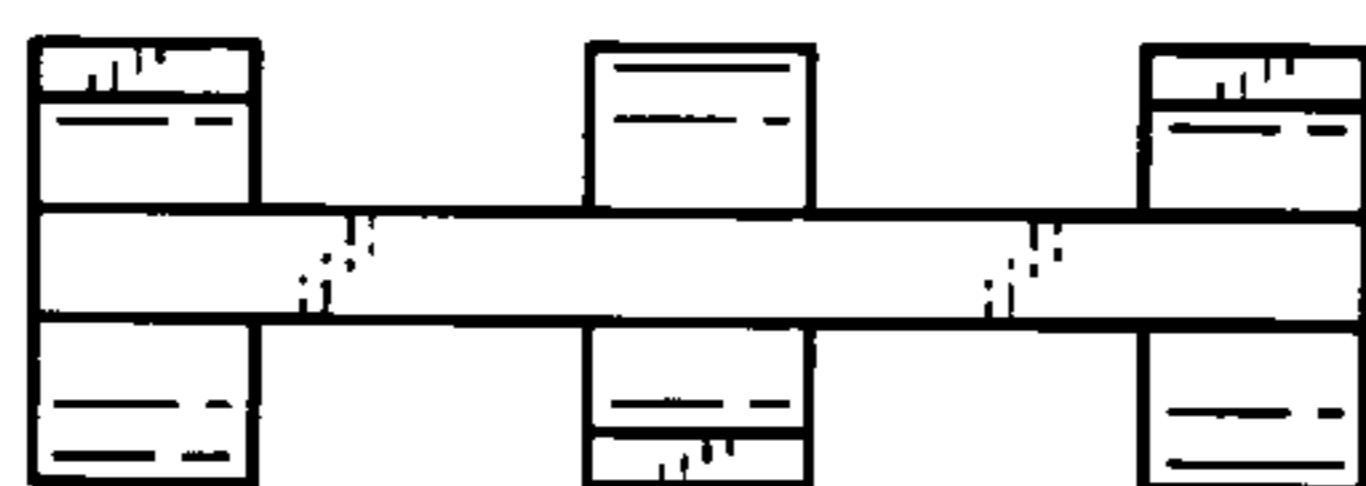


FIG. 7