



US00D584598S

(12) **United States Design Patent**  
**Dale**

(10) **Patent No.:** **US D584,598 S**  
(45) **Date of Patent:** **\*\* Jan. 13, 2009**

(54) **ANCHORING BRACKET**

(75) Inventor: **Olav Dale**, Åkersberga (SE)

(73) Assignee: **Roslagens Marincenter AB**, Åkersberga (SE)

(\*\*) Term: **14 Years**

(21) Appl. No.: **29/268,564**

(22) Filed: **Nov. 9, 2006**

(30) **Foreign Application Priority Data**

May 12, 2006 (EM) ..... 000529656

(51) **LOC (9) Cl.** ..... **08-05**

(52) **U.S. Cl.** ..... **D8/354**

(58) **Field of Classification Search** ..... D8/354,  
D8/349, 394

See application file for complete search history.

(56) **References Cited**

**U.S. PATENT DOCUMENTS**

4,088,294	A *	5/1978	Aliment et al.	.....	248/519
5,069,415	A *	12/1991	Mechalas	.....	248/674
6,422,520	B1 *	7/2002	Hand	.....	248/65
D548,048	S *	8/2007	Sherrard	.....	D8/349

\* cited by examiner

*Primary Examiner*—Holly H Baynham

(74) *Attorney, Agent, or Firm*—Birch, Stewart, Kolasch & Birch, LLP

(57) **CLAIM**

The ornamental design for an anchoring bracket, as shown and described.

**DESCRIPTION**

FIG. 1 is a perspective view of an anchoring bracket showing my new design;

FIG. 2 is top plan view thereof;

FIG. 3 is a left side elevational view thereof;

FIG. 4 is a front elevational view thereof;

FIG. 5 is a right side elevational view thereof;

FIG. 6 is a bottom plan view thereof;

FIG. 7 is a perspective view of a second embodiment of the present invention;

FIG. 8 is top plan view thereof with respect to FIG. 10;

FIG. 9 is a left side elevational view thereof;

FIG. 10 is a front elevational view thereof;

FIG. 11 is a right side elevational view thereof;

FIG. 12 is a bottom plan view thereof;

FIG. 13 is a perspective view of a third embodiment of the present invention;

FIG. 14 is top plan view thereof with respect to FIG. 16;

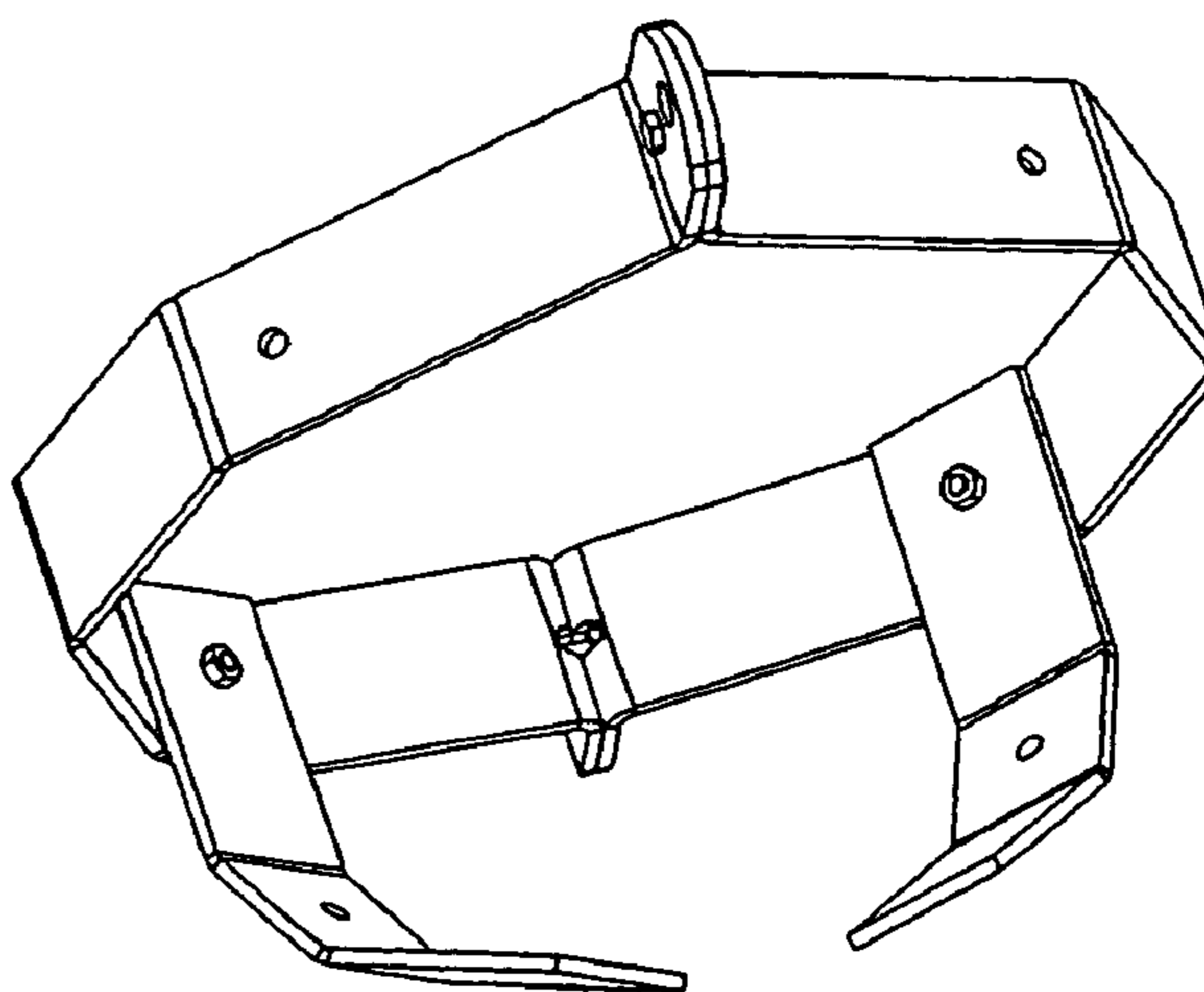
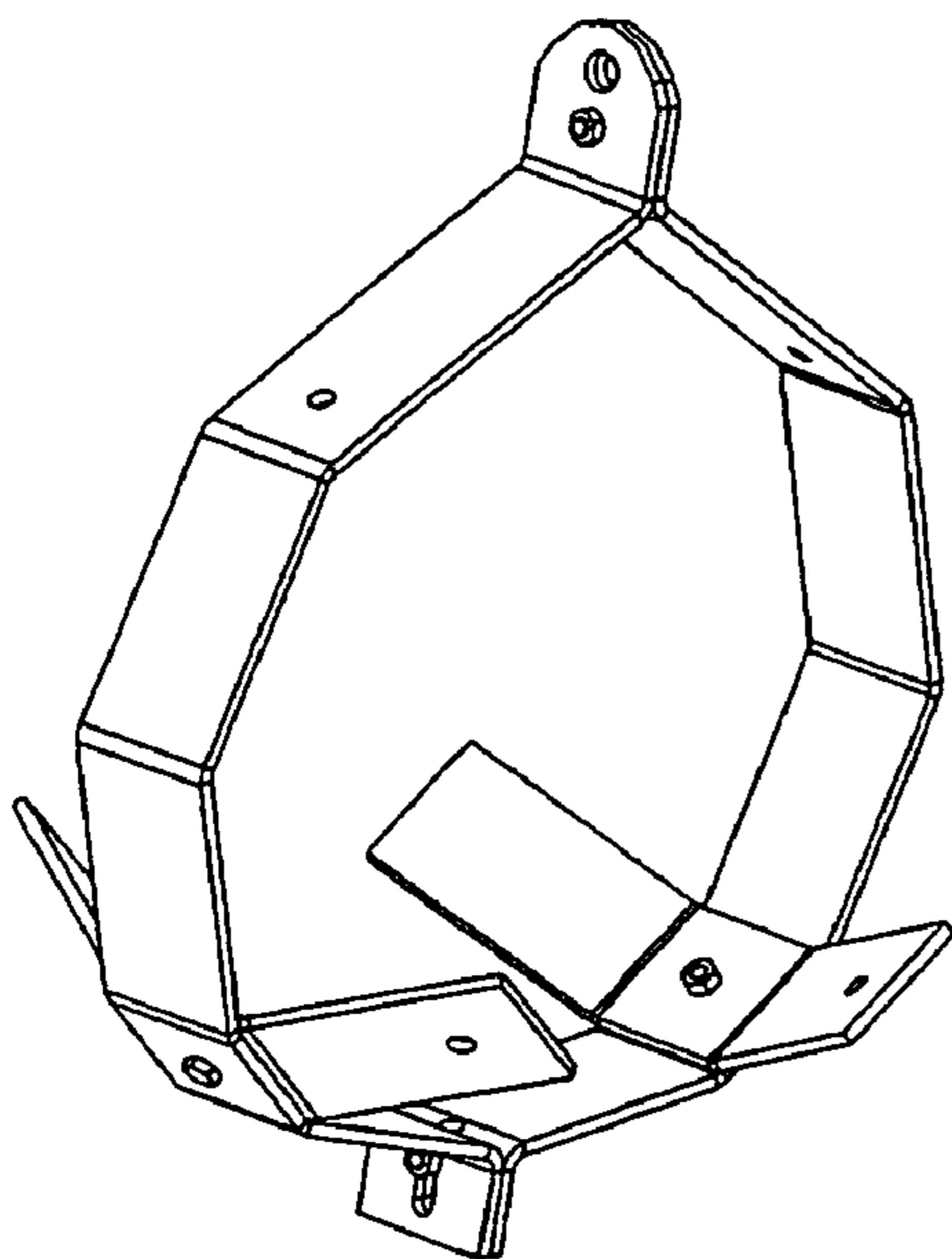
FIG. 15 is a left side elevational view thereof;

FIG. 16 is a front elevational view thereof;

FIG. 17 is a right side elevational view thereof; and,

FIG. 18 is a bottom plan view thereof.

**1 Claim, 6 Drawing Sheets**



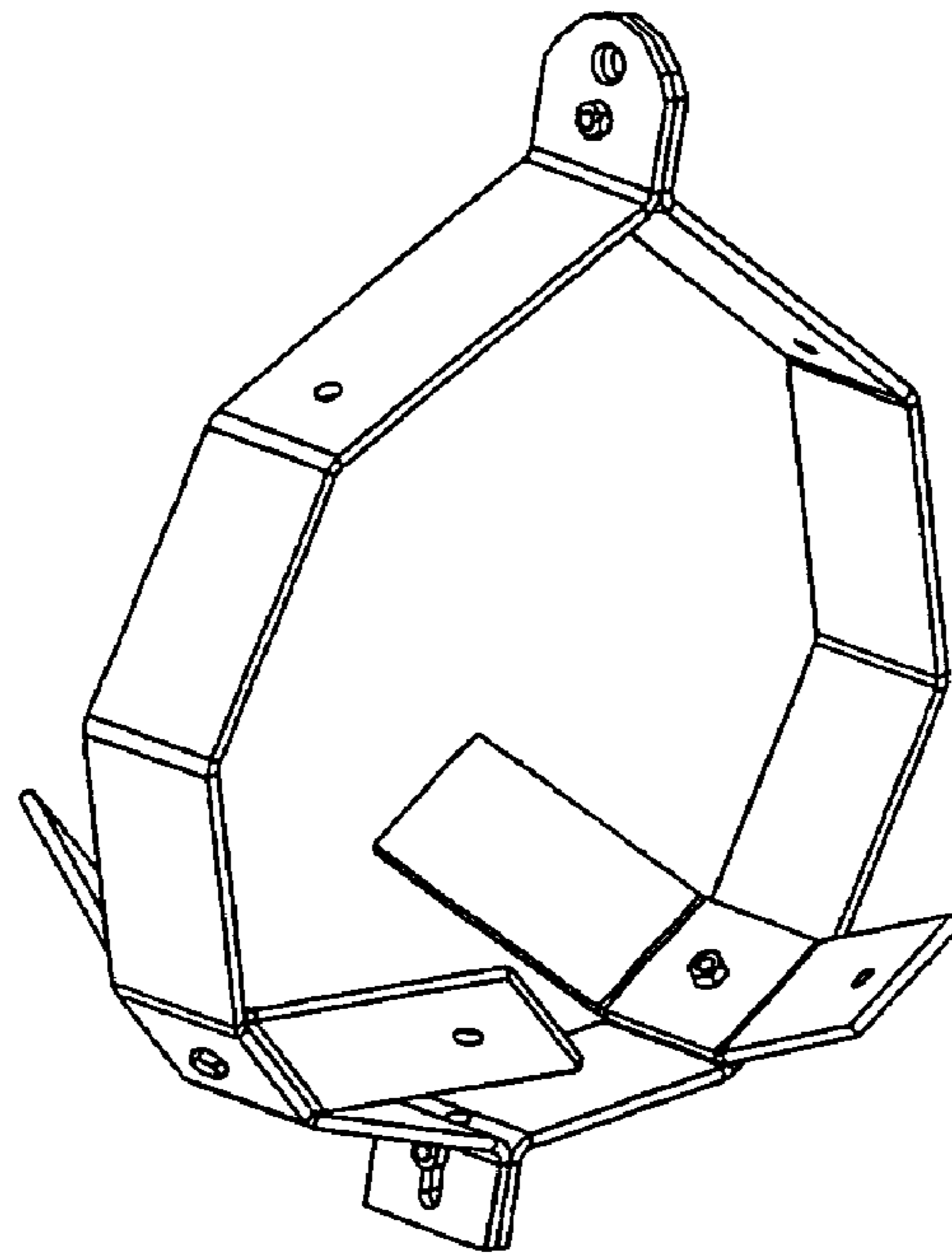


FIG. 1

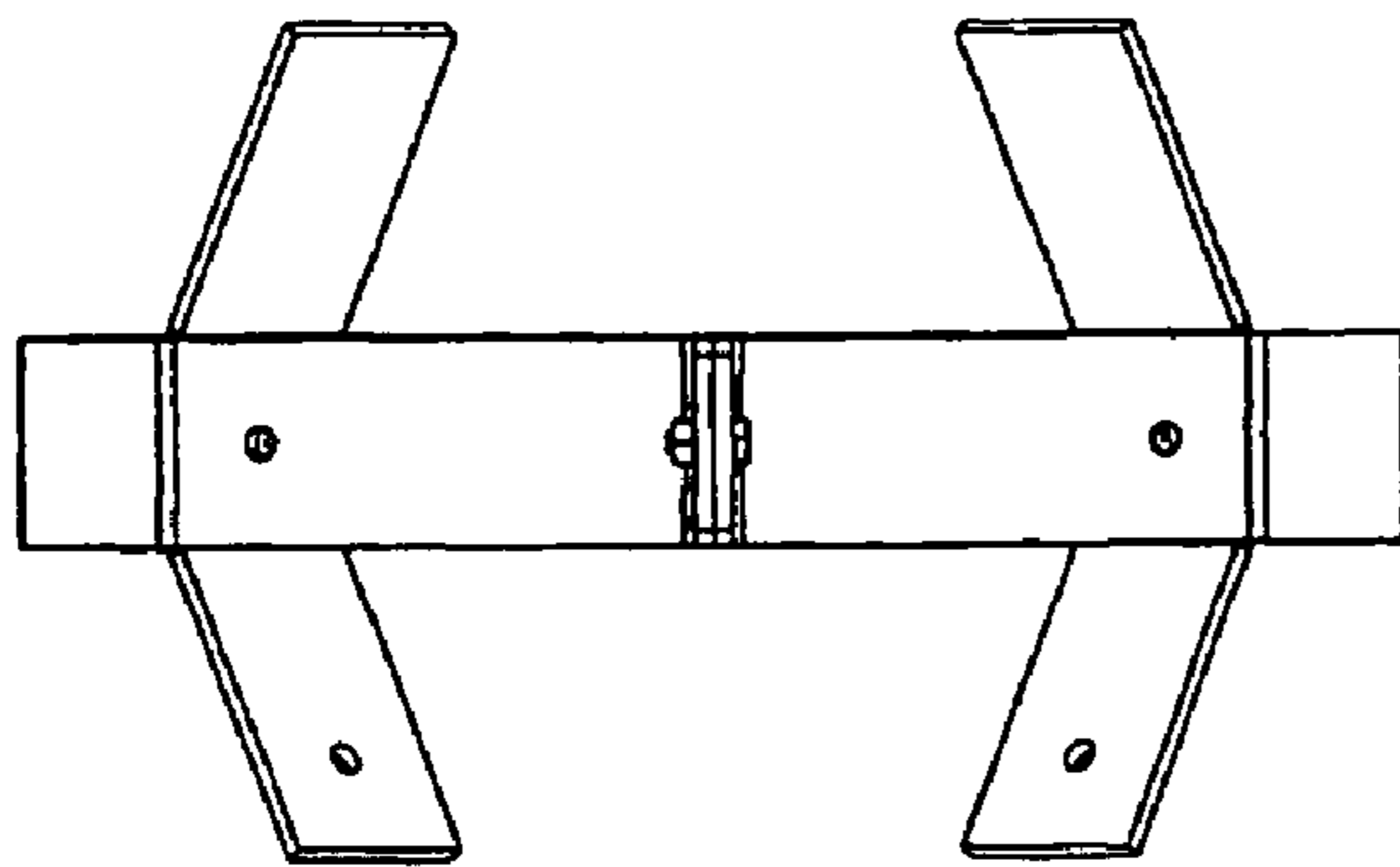


FIG. 2

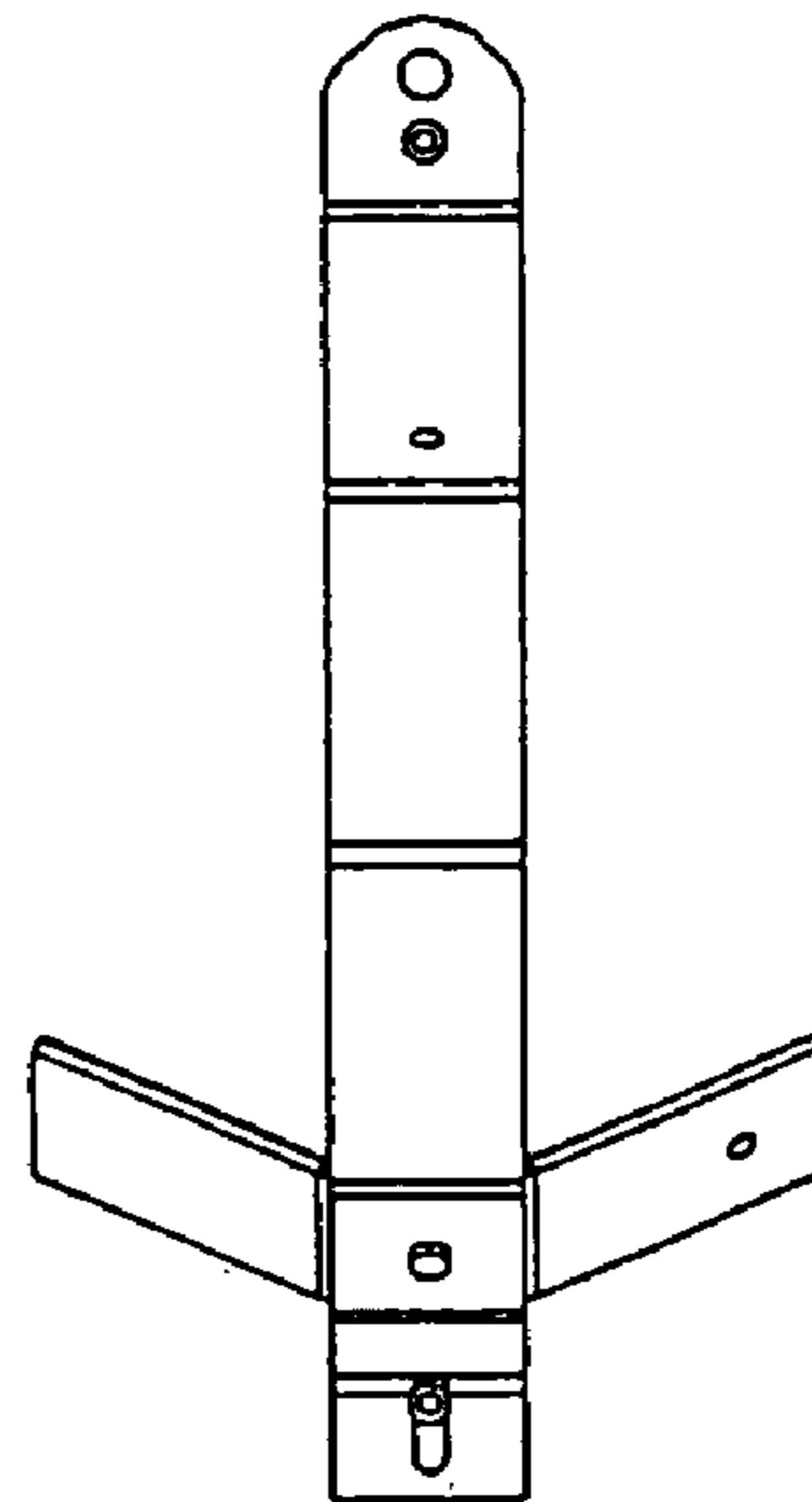


FIG. 3

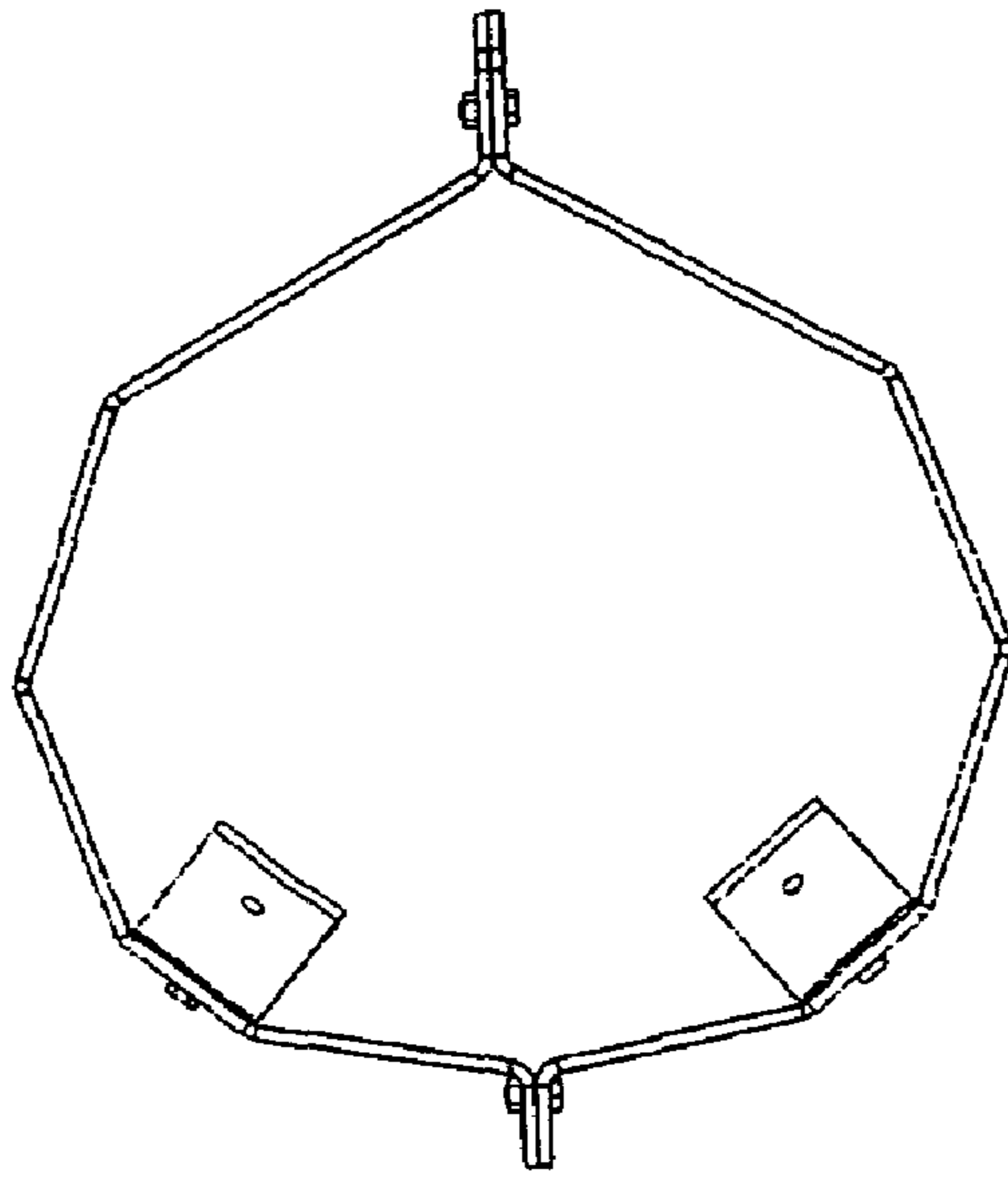


FIG. 4

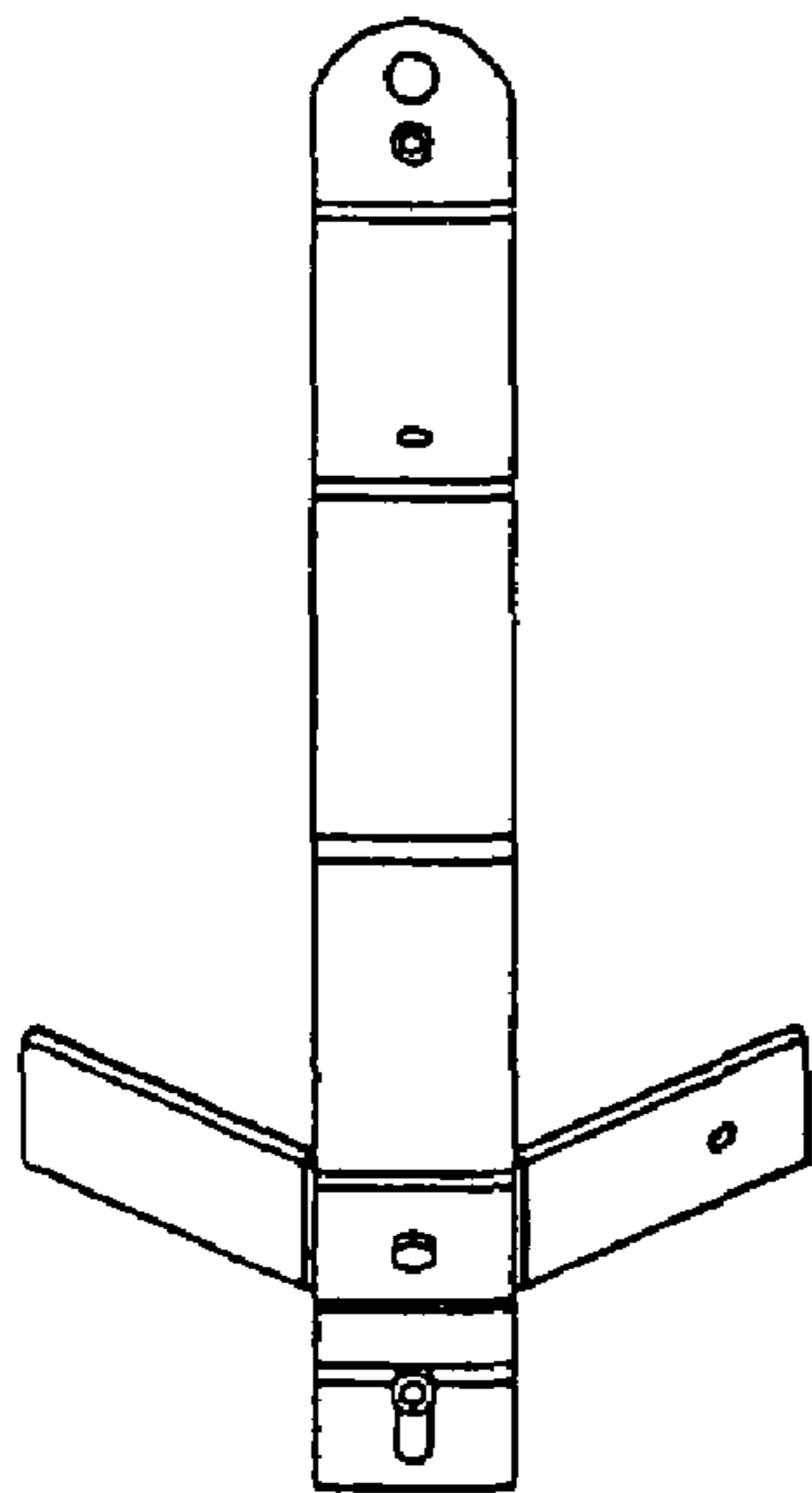


FIG. 5

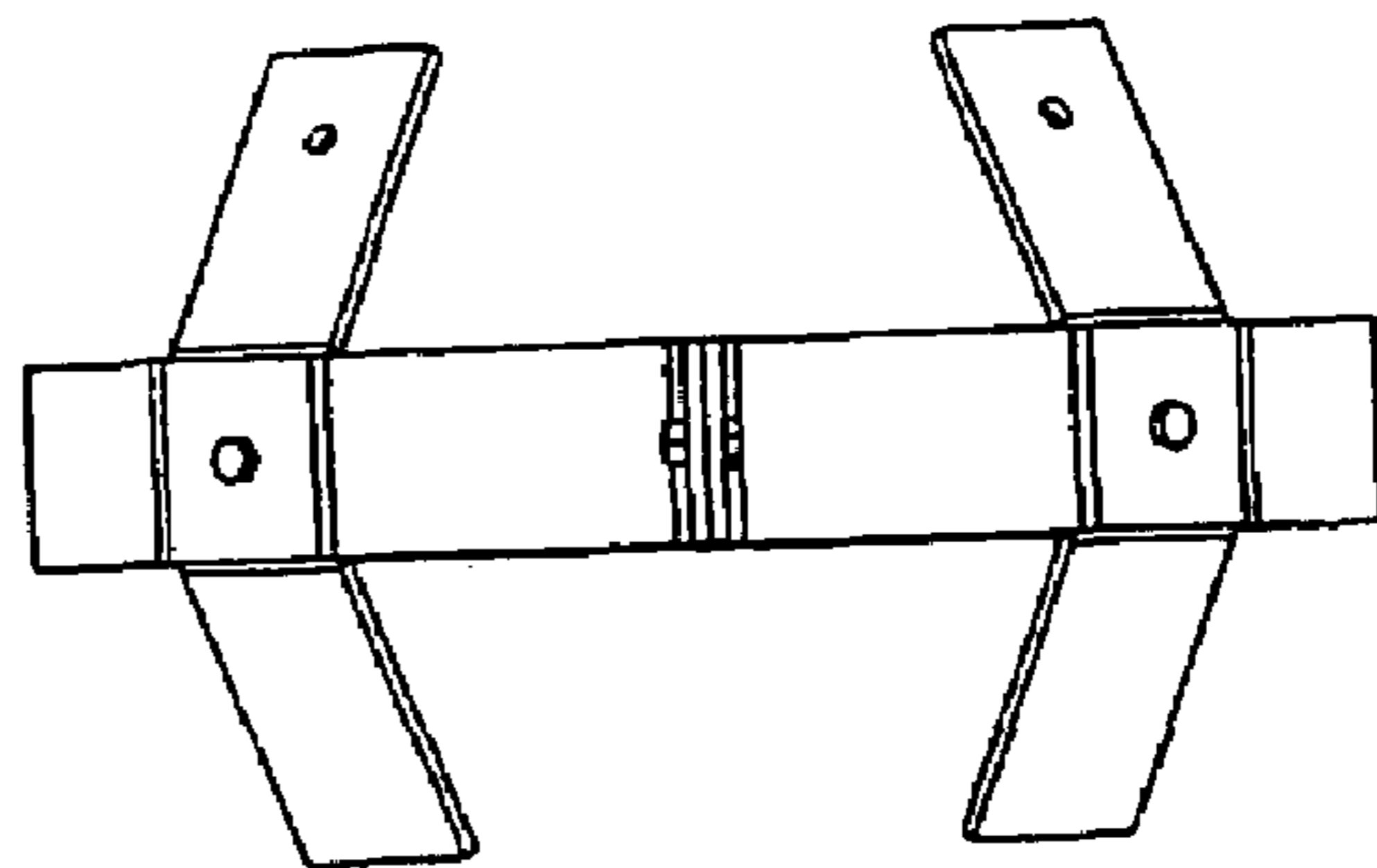
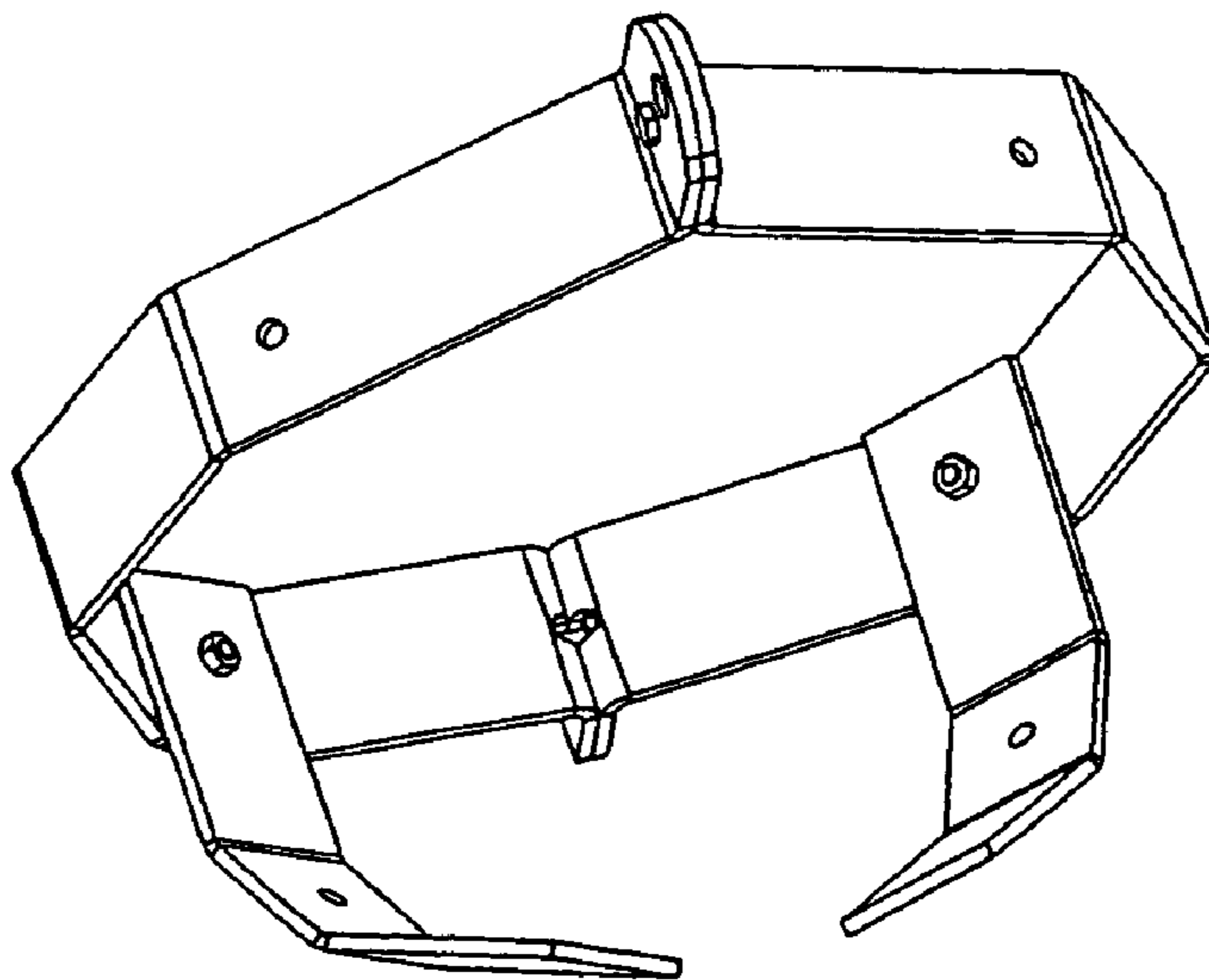
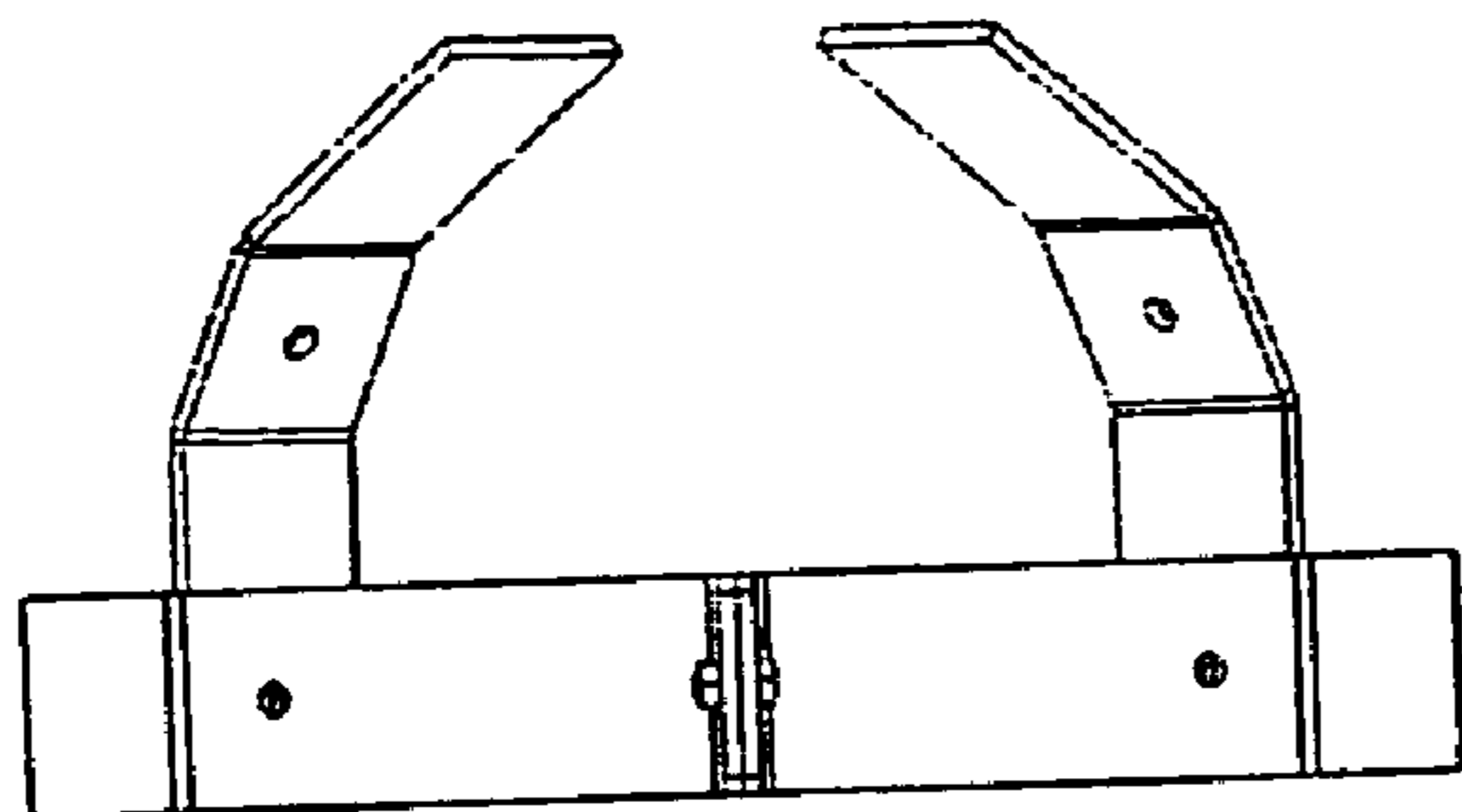


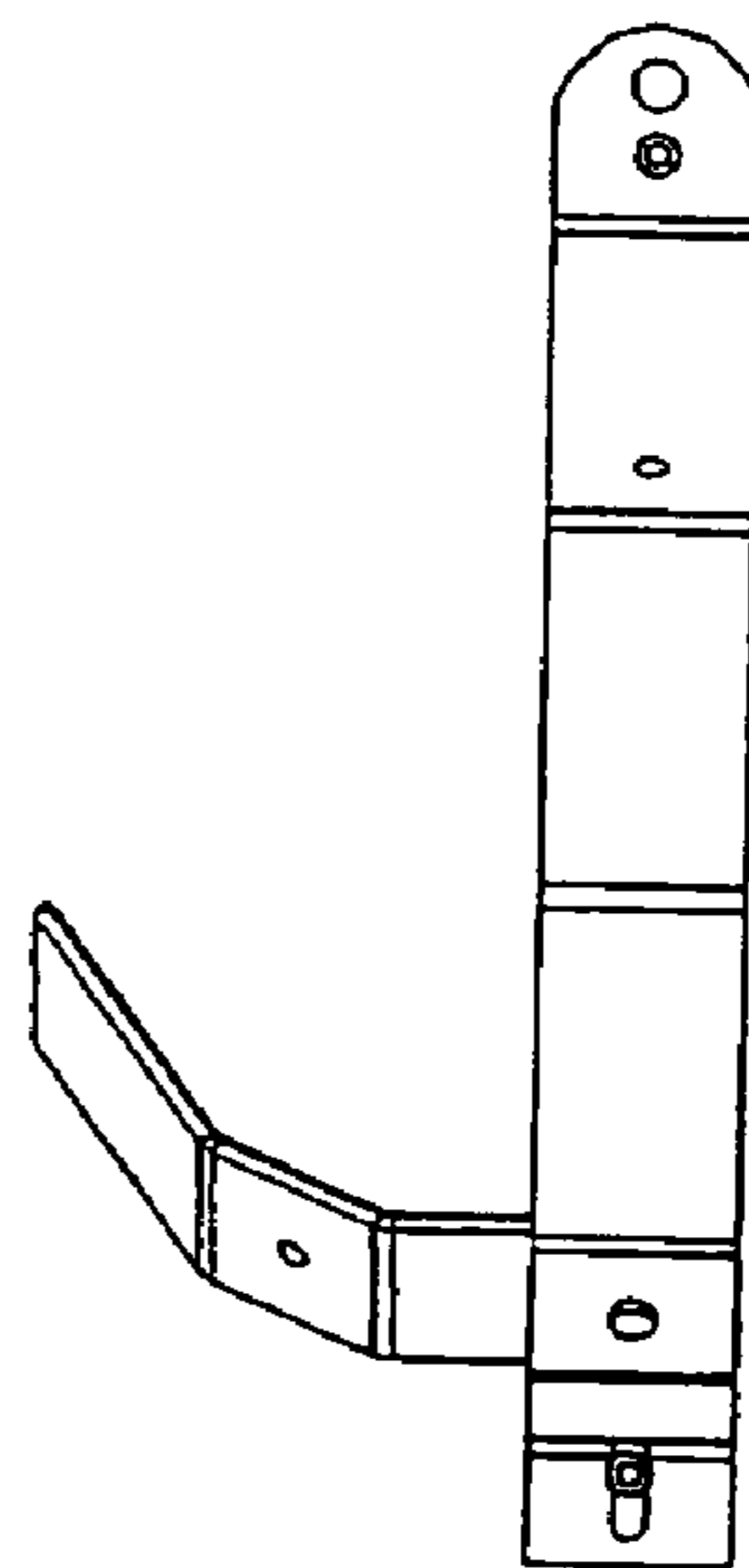
FIG. 6



**FIG. 7**



**FIG. 8**



**FIG. 9**

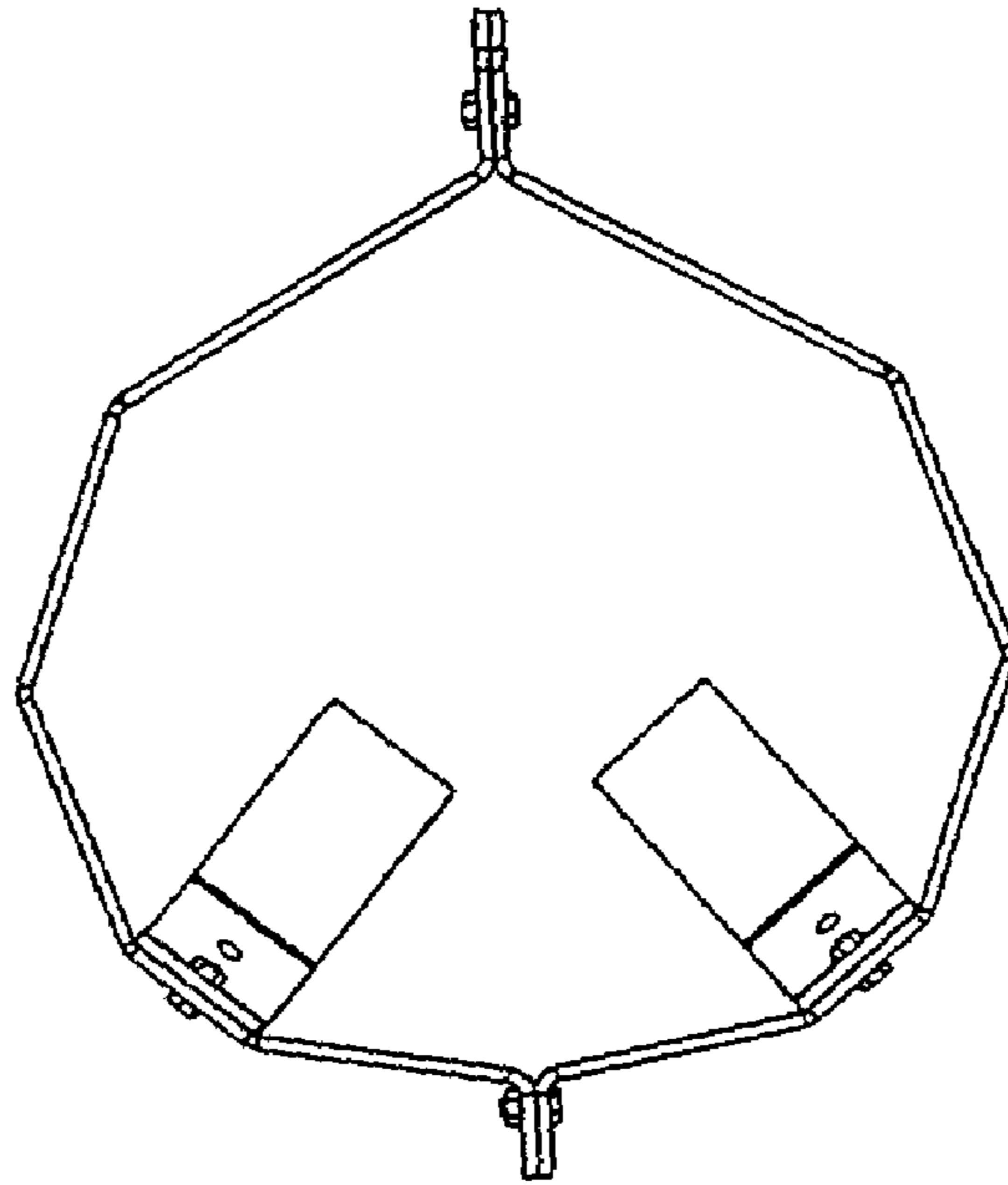


FIG. 10

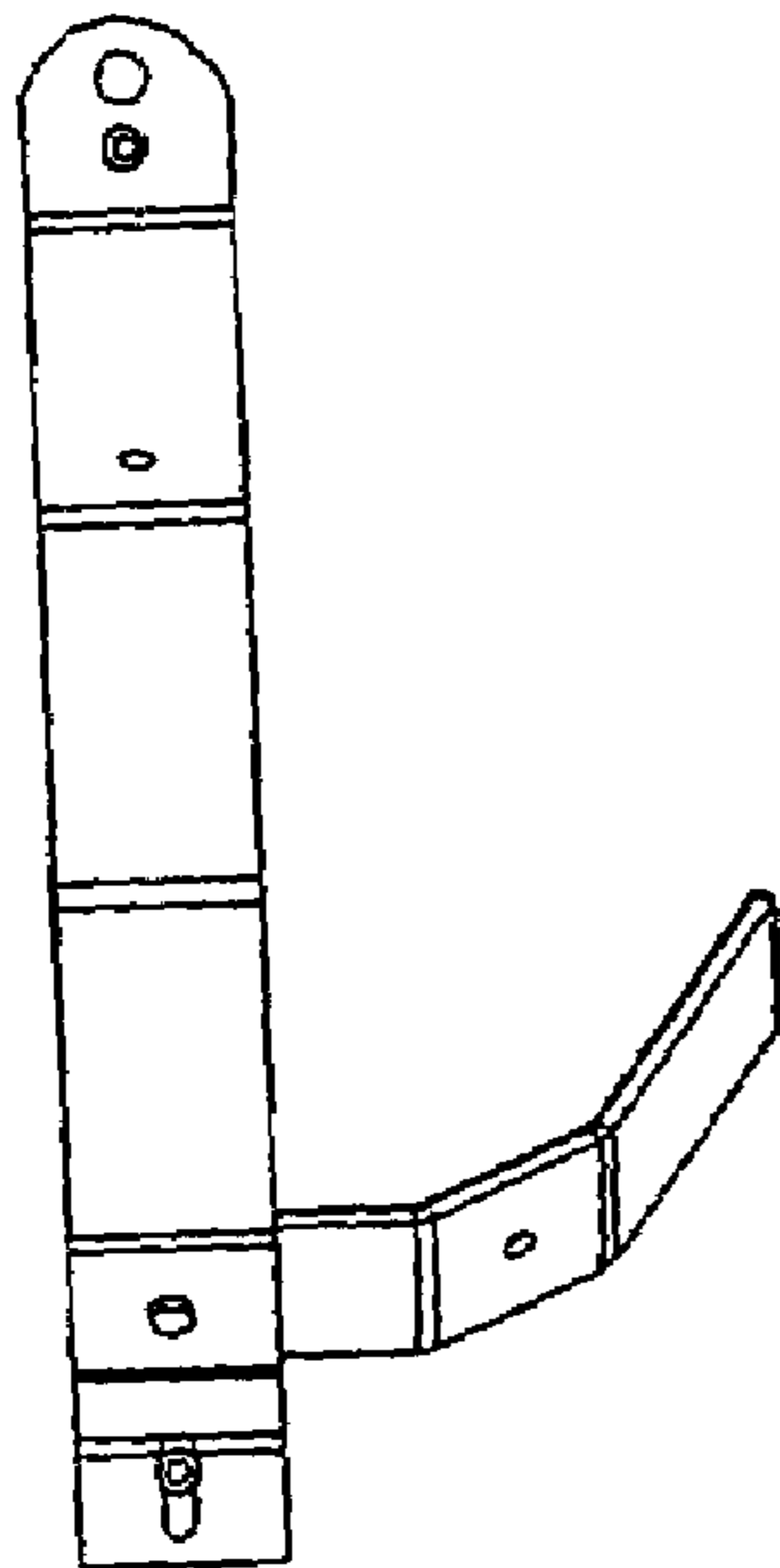


FIG. 11

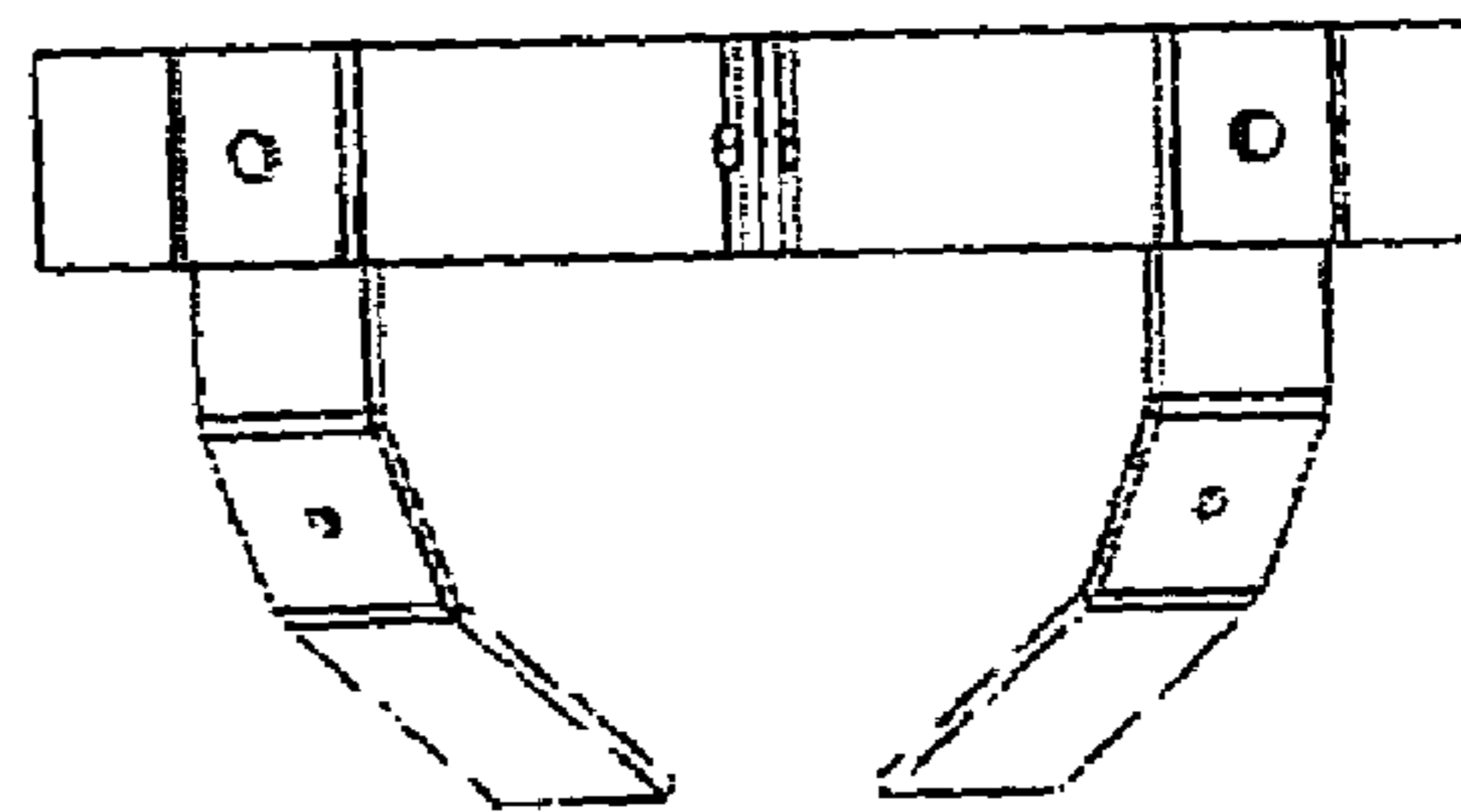


FIG. 12

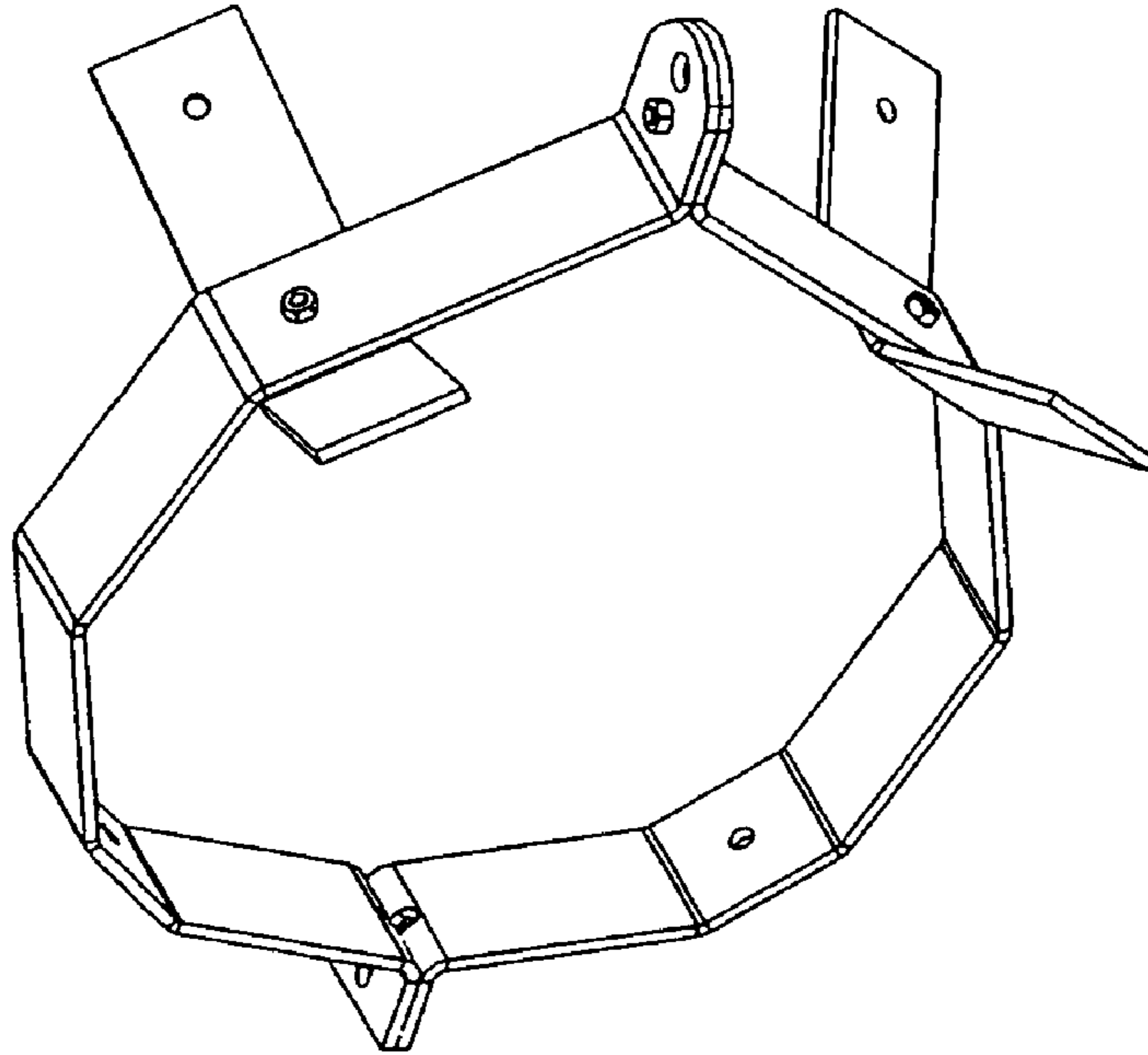


FIG. 13

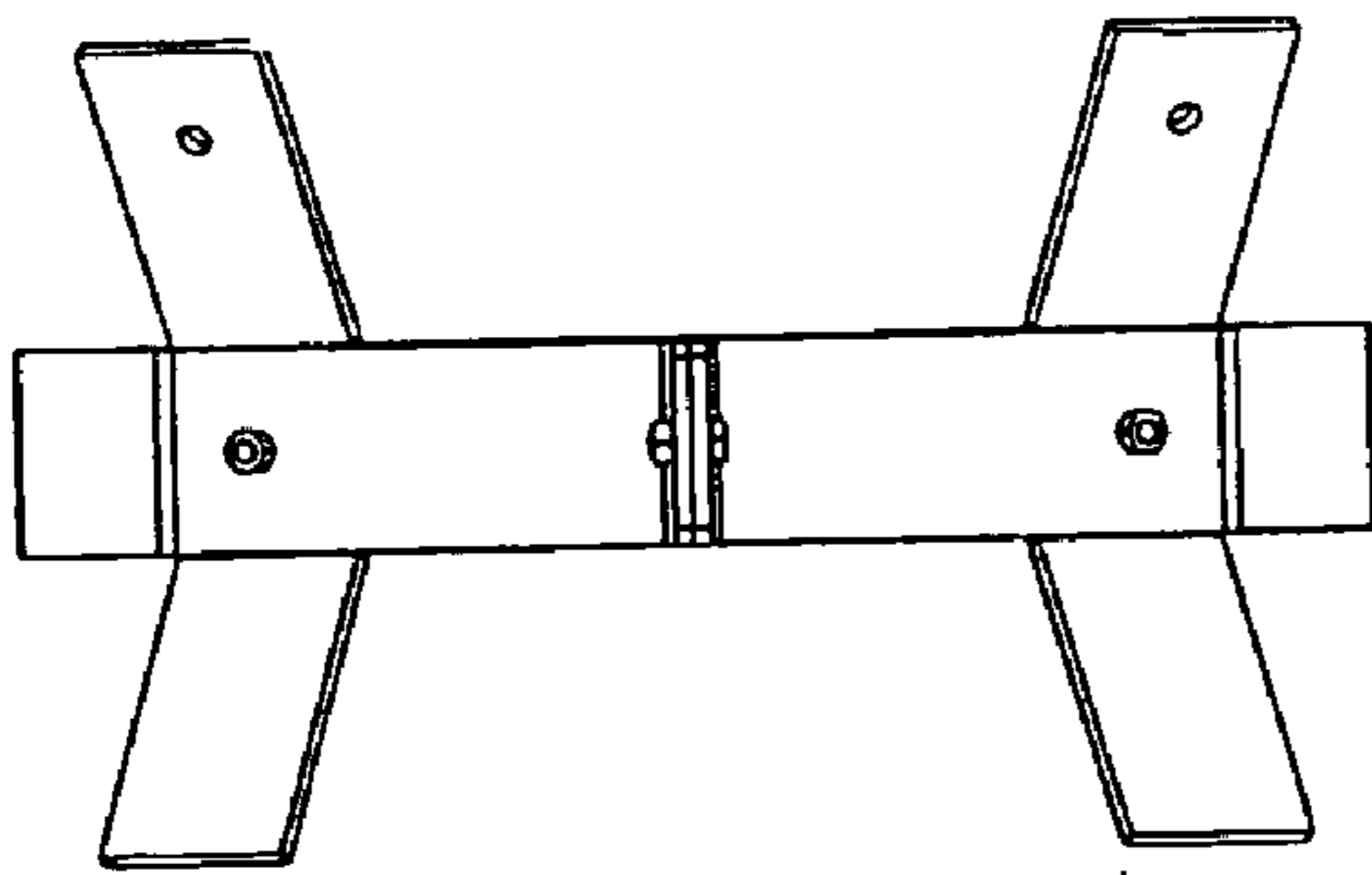


FIG. 14

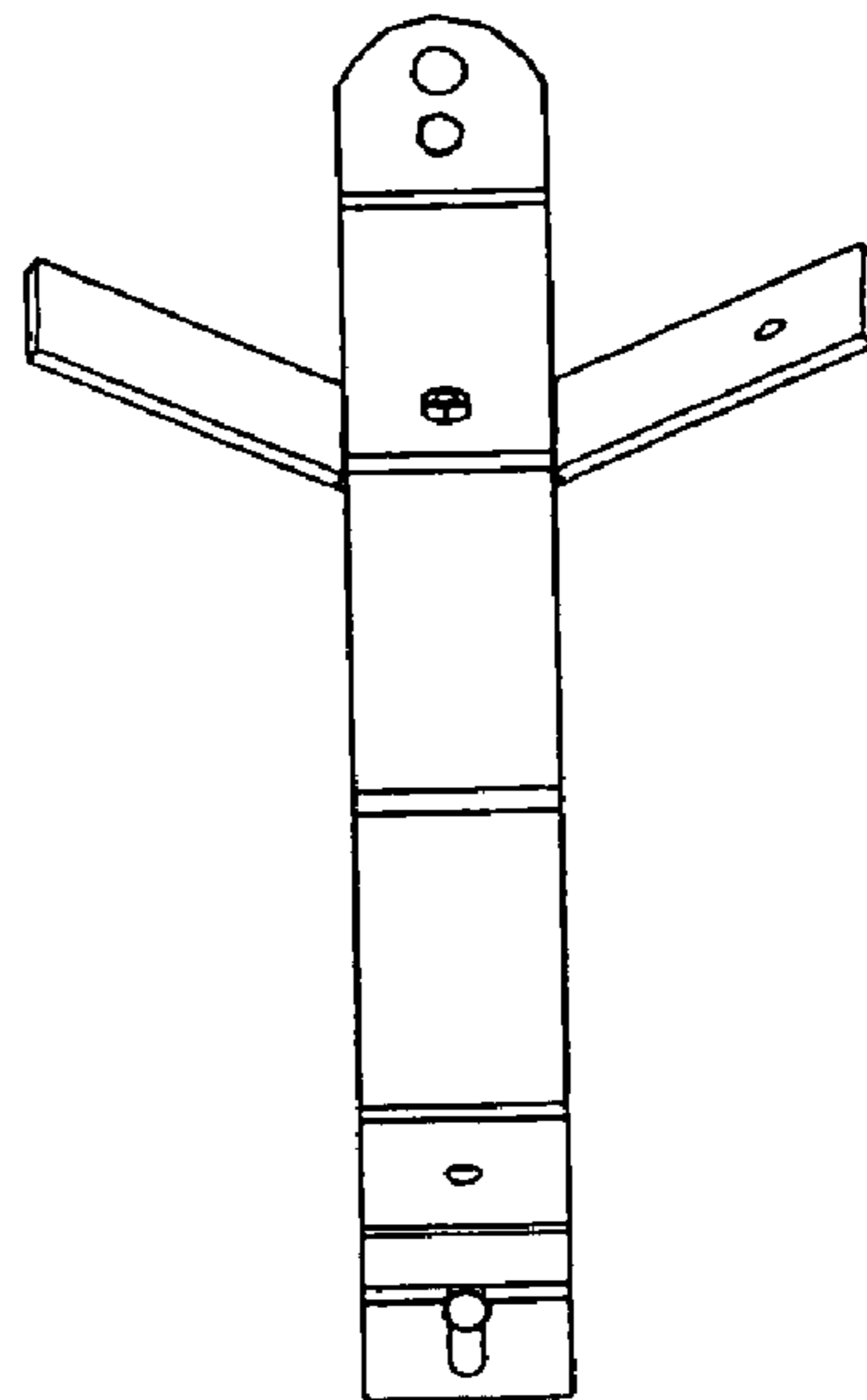


FIG. 15

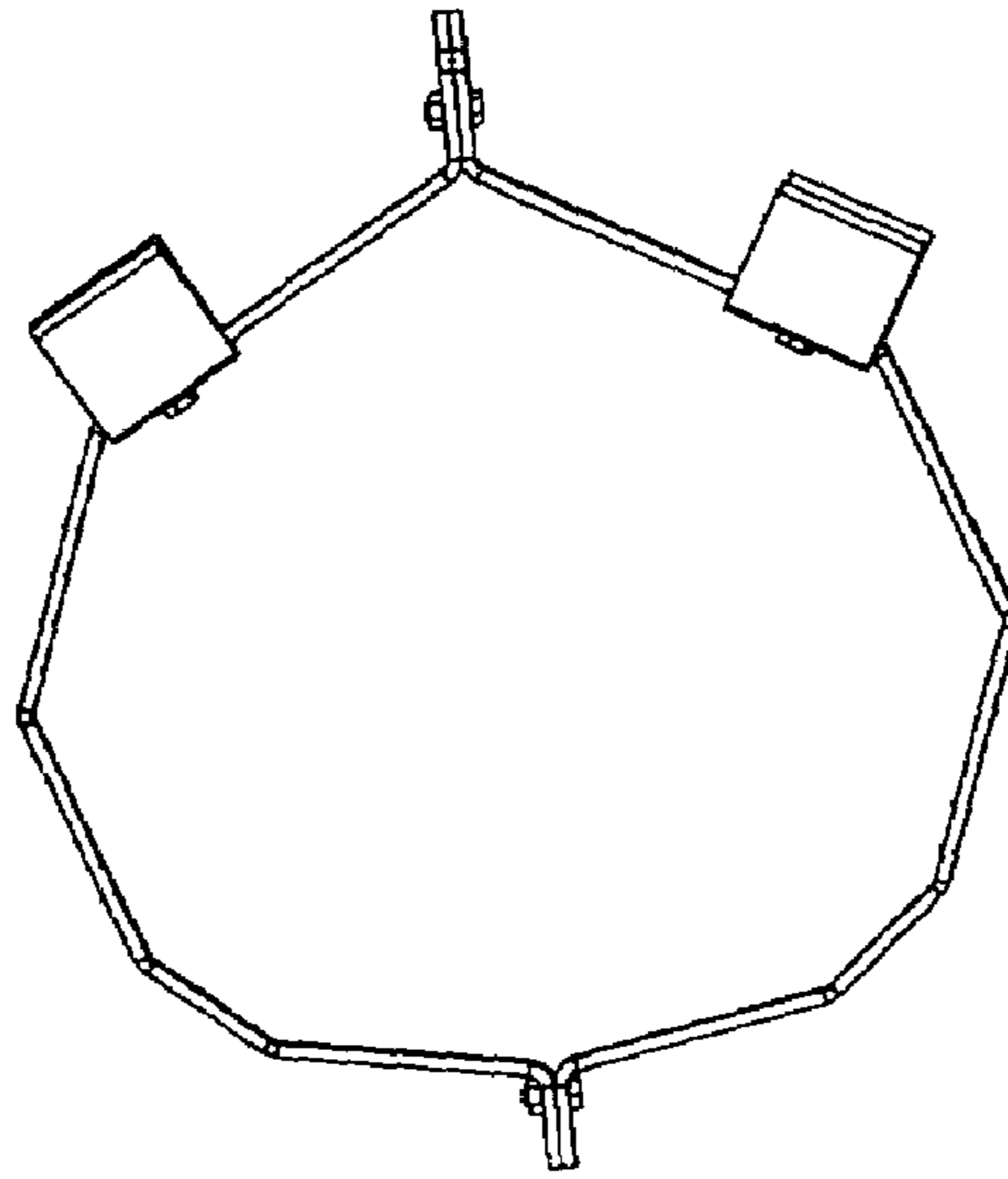


FIG. 16

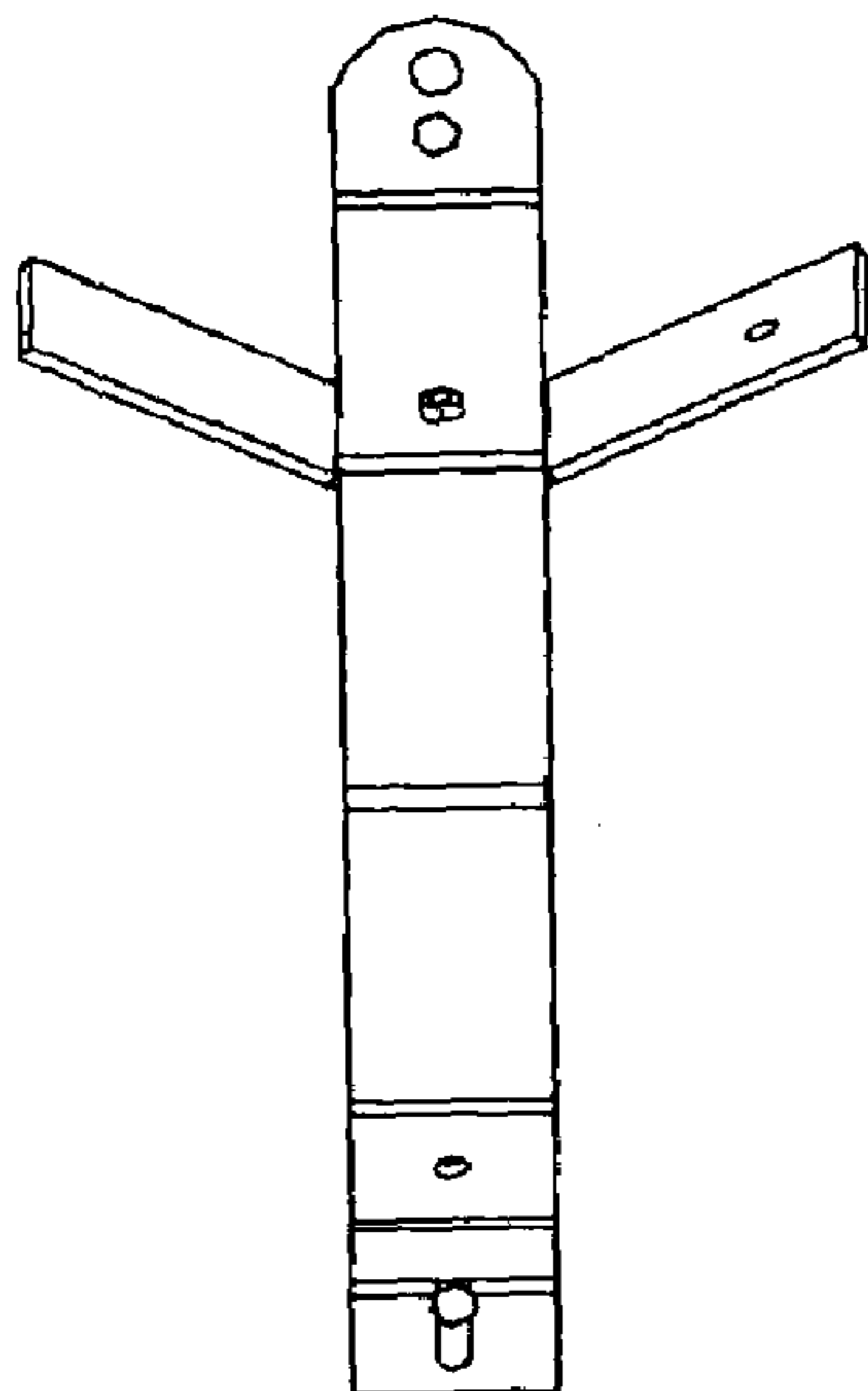


FIG. 17

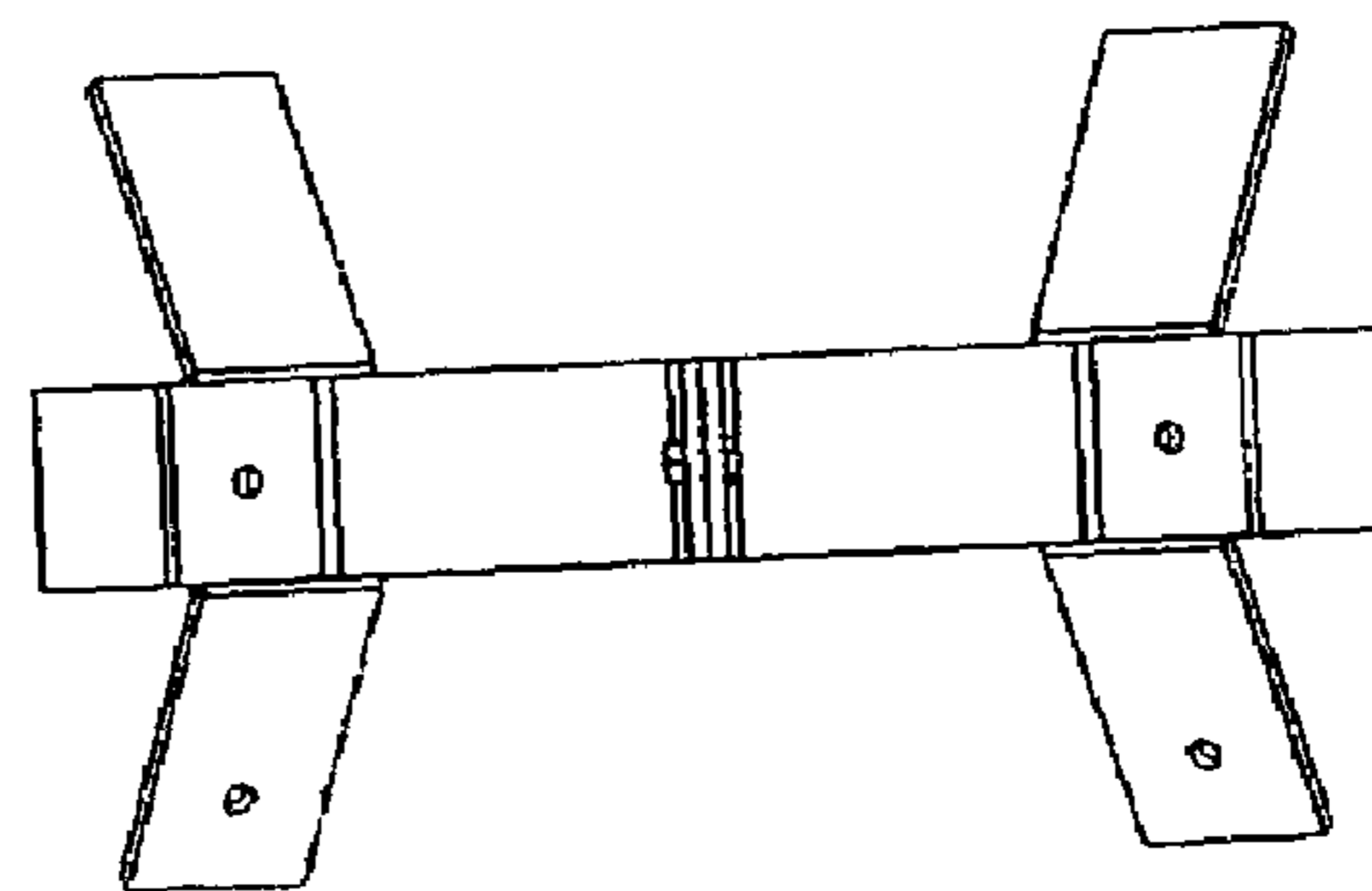


FIG. 18