



US00D584595S

(12) **United States Design Patent**
Gray

(10) **Patent No.:** **US D584,595 S**
(45) **Date of Patent:** **** Jan. 13, 2009**

(54) **LATCH COVER**

(75) Inventor: **Roger Gray**, Morningside (AU)

(73) Assignee: **ASSA ALBOY Australia Pty Limited**,
Oakleigh, Victoria (AU)

(**) Term: **14 Years**

(21) Appl. No.: **29/303,053**

(22) Filed: **Jan. 31, 2008**

(51) **LOC (9) Cl.** **08-07**

(52) **U.S. Cl.** **D8/331**

(58) **Field of Classification Search** D8/330,
D8/331, 339, 341, 342, 346, 300, 302; 292/137,
292/157, 163, 171, 175, 150, DIG. 30, DIG. 14,
292/DIG. 68; 70/14, 51, 52, 141
See application file for complete search history.

(56) **References Cited**

U.S. PATENT DOCUMENTS

4,181,333 A * 1/1980 Stelma 292/66
4,706,478 A * 11/1987 Swan et al. 70/28
4,790,579 A * 12/1988 Maxwell et al. 292/175
6,079,527 A * 6/2000 Kuo 190/115
6,173,592 B1 * 1/2001 Yu 70/69

D519,824 S * 5/2006 Collings et al. D8/331
D536,949 S * 2/2007 Weinerman et al. D8/331
D545,667 S * 7/2007 Weinerman et al. D8/331
D568,143 S * 5/2008 Sclater D8/331

* cited by examiner

Primary Examiner—Prabhakar Deshmukh

(74) *Attorney, Agent, or Firm*—Taylor & Aust, P.C.

(57) **CLAIM**

The ornamental design for a latch cover, as shown and described.

DESCRIPTION

FIG. 1 is a front perspective view of a latch cover showing my new design;

FIG. 2 is another front perspective view thereof, with the latch cover being unlocked;

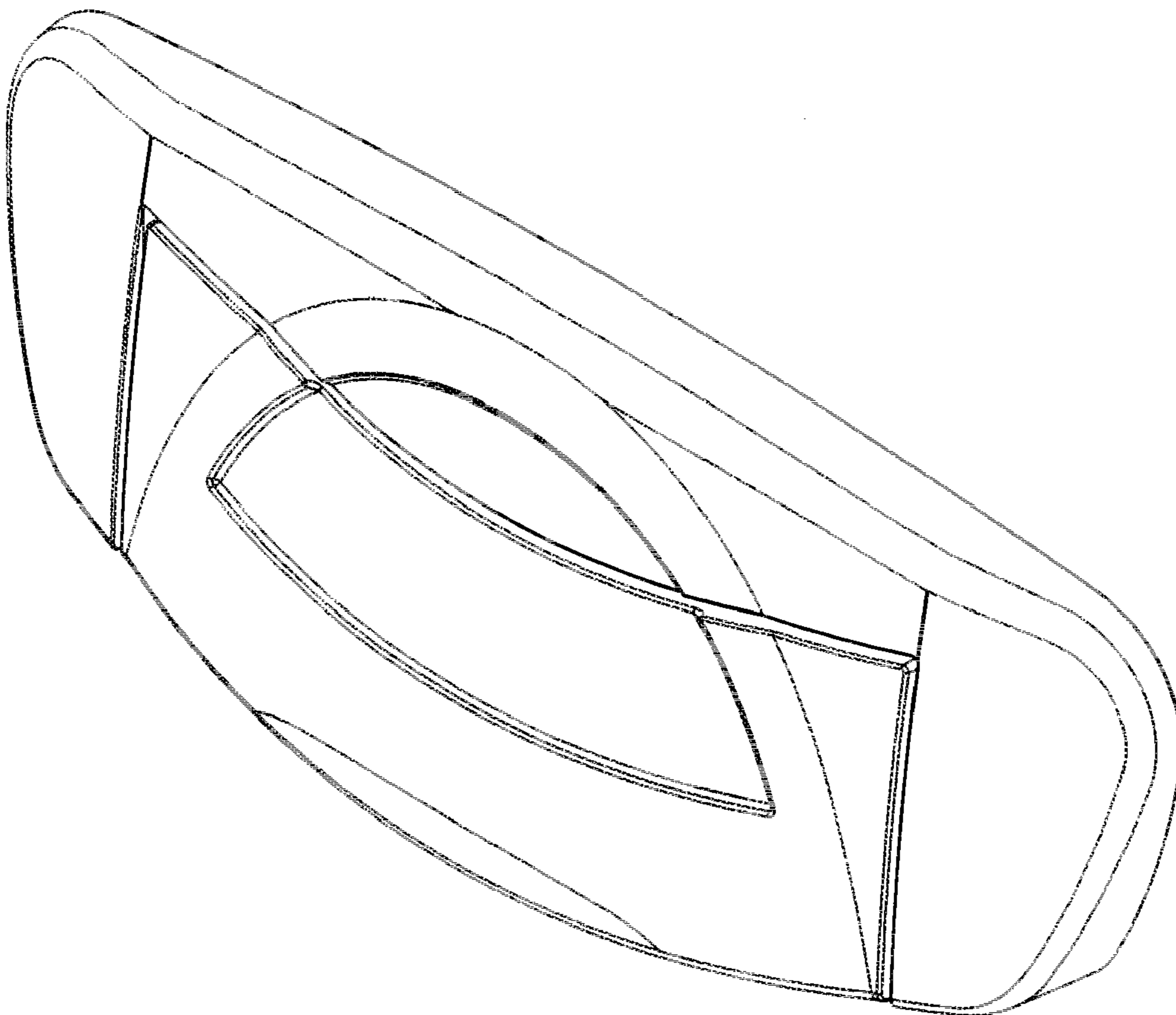
FIG. 3 is a plan view thereof;

FIG. 4 is a rear view thereof;

FIG. 5 is a right side view thereof, the opposite side view being a mirror image; and,

FIG. 6 is another right side view thereof, with the latch cover being unlocked, the opposite side view being a mirror image.

1 Claim, 2 Drawing Sheets



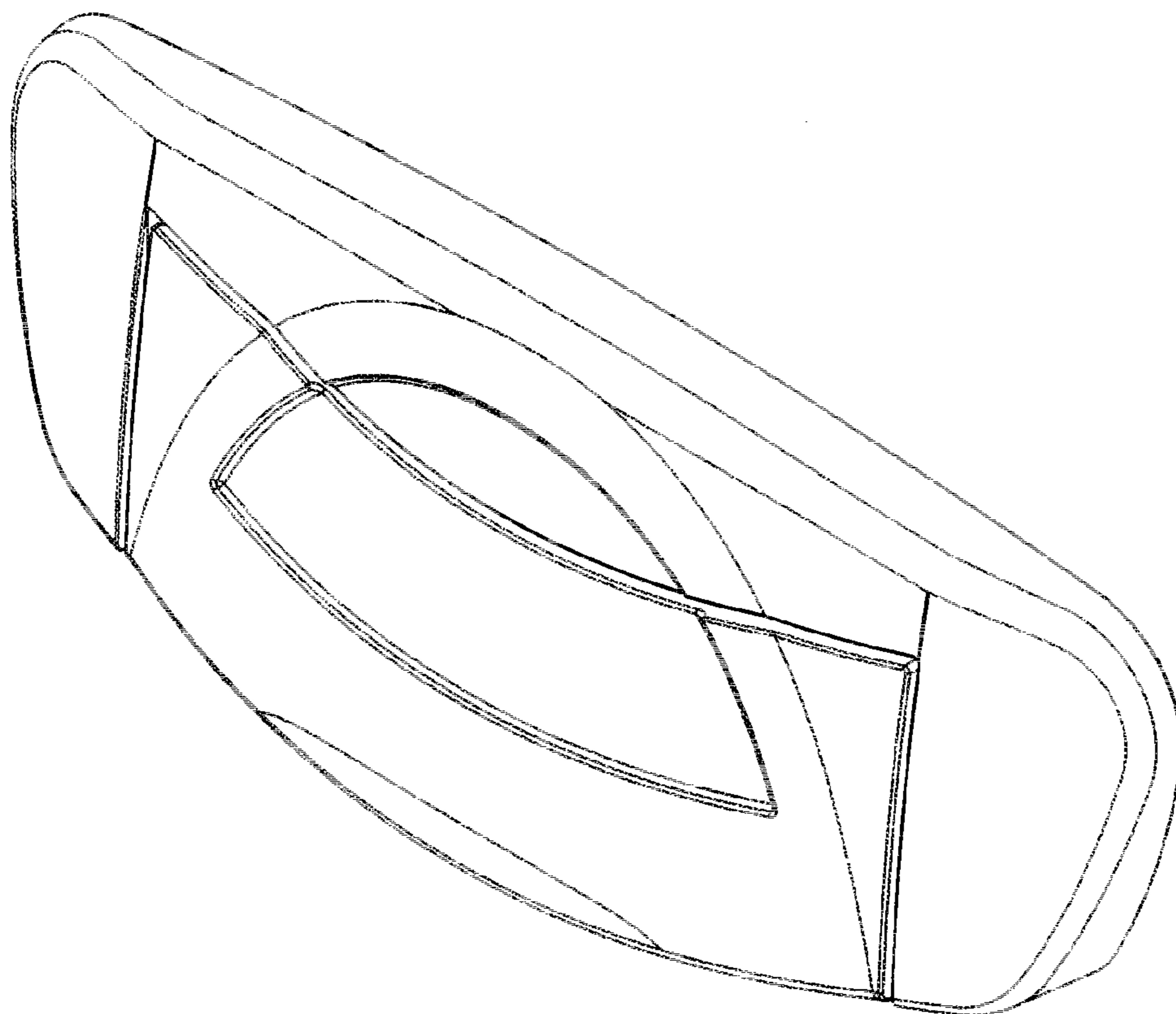


FIG 1

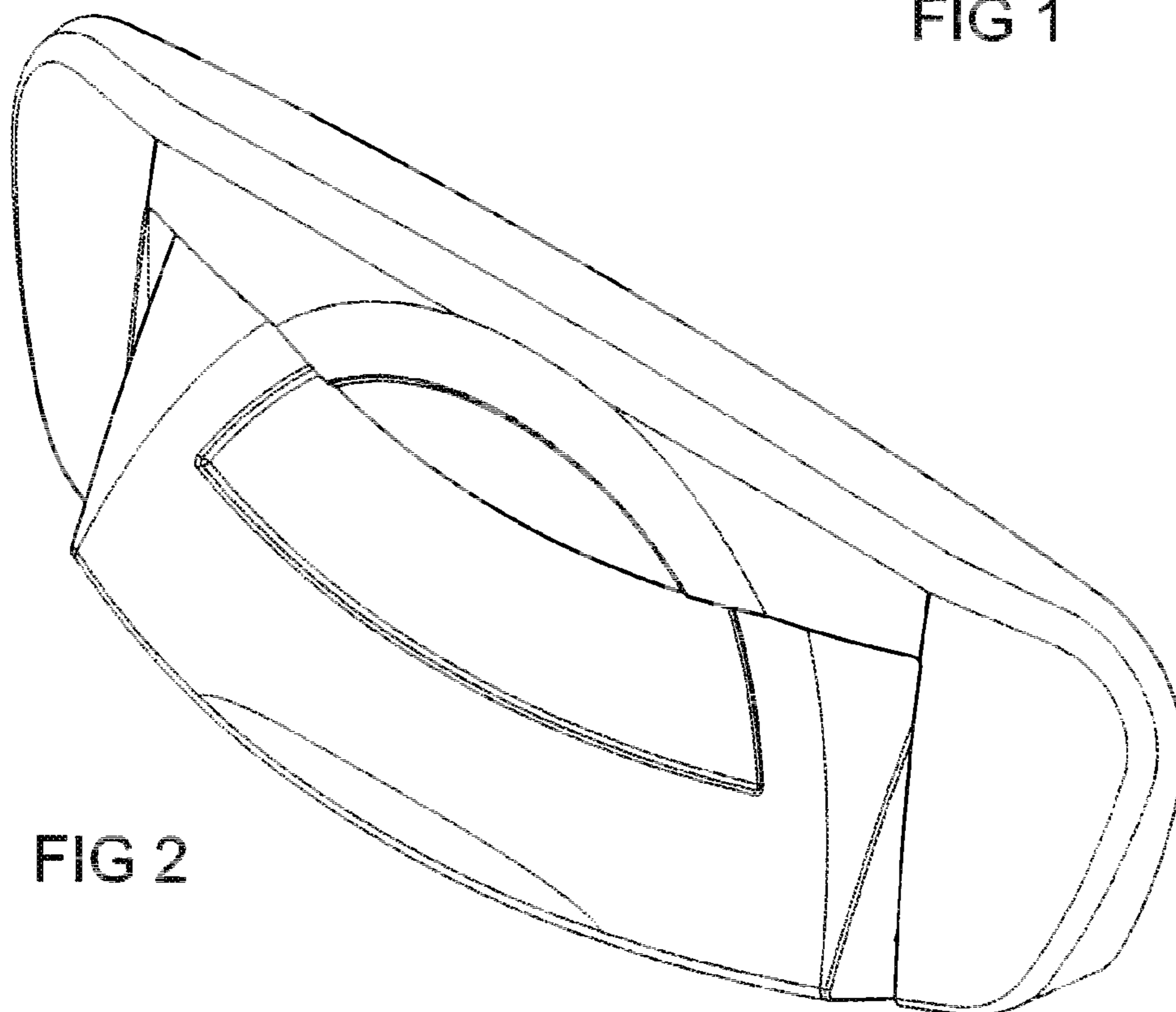


FIG 2

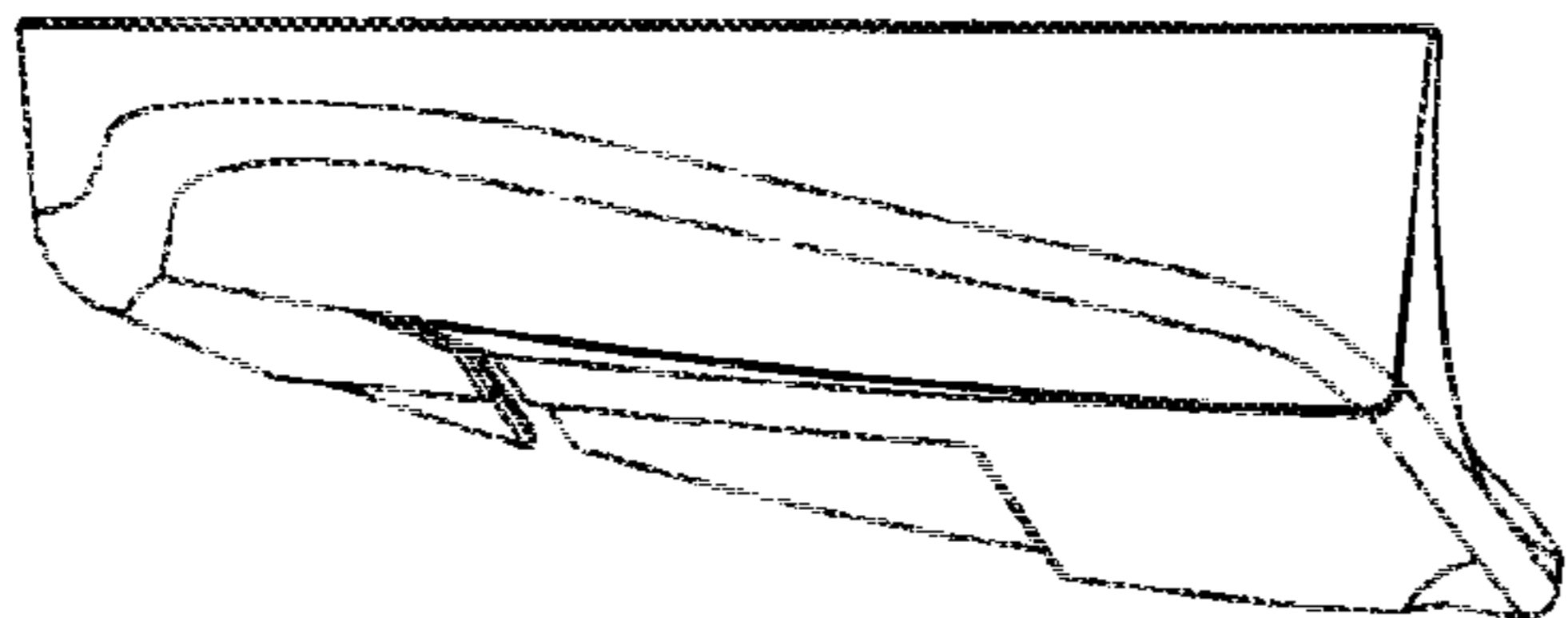


FIG 5

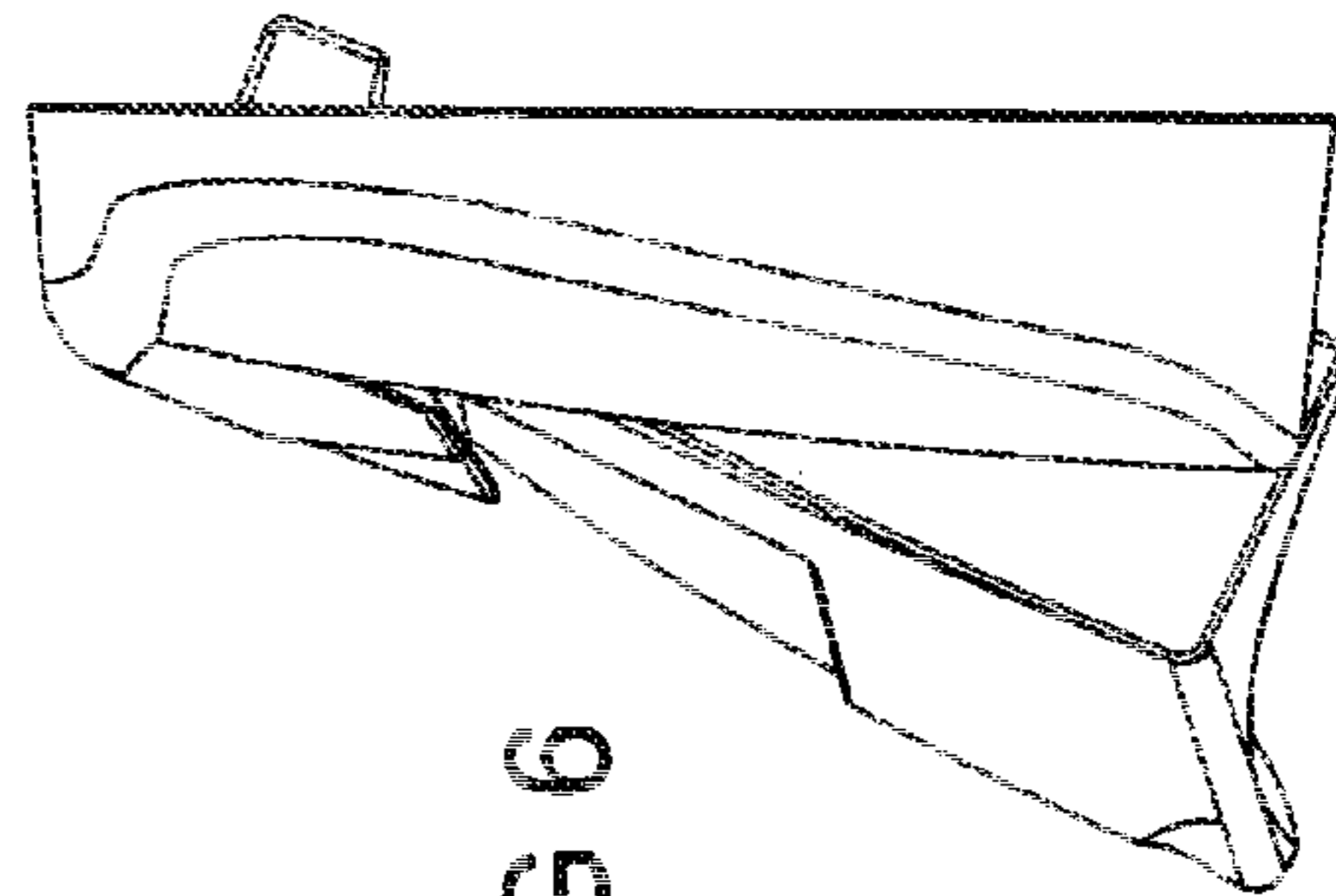


FIG 6

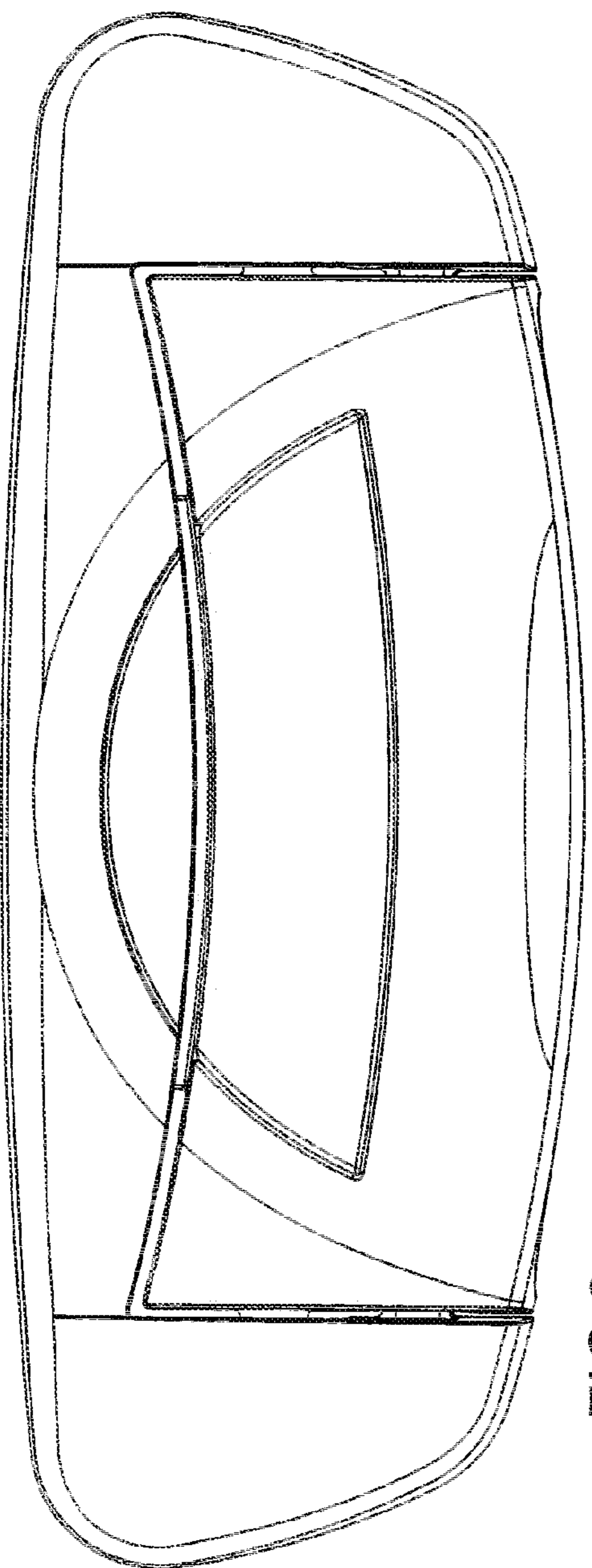


FIG 3

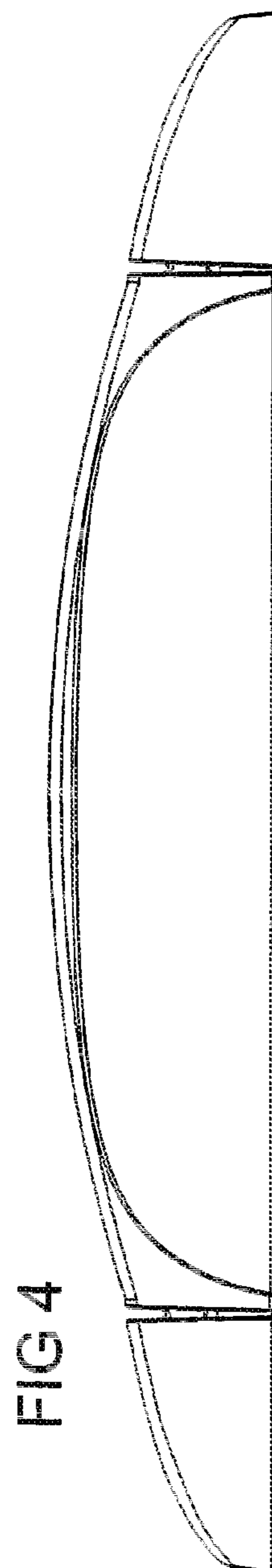


FIG 4