



US00D584594S

(12) **United States Design Patent**
Marko

(10) **Patent No.:** **US D584,594 S**
(45) **Date of Patent:** **** Jan. 13, 2009**

(54) **DOOR LATCH HANDLE**

(75) Inventor: **Neil L. Marko**, Hillsdale, MI (US)

(73) Assignee: **Universal Industrial Products Inc.**,
Pioneer, OH (US)

(**) Term: **14 Years**

(21) Appl. No.: **29/265,445**

(22) Filed: **Aug. 31, 2006**

(51) **LOC (9) Cl.** **08-07**

(52) **U.S. Cl.** **D8/331; D8/301**

(58) **Field of Classification Search** D8/330,
D8/331, 341, 300-302, 307, 308, DIG. 1,
D8/DIG. 10; 292/336.3, 347, 355-357, 70,
292/348, 358, 359; 70/51, 91, 141, 207
See application file for complete search history.

(56) **References Cited**

U.S. PATENT DOCUMENTS

944,534 A	12/1909	Beaman	
2,058,685 A	10/1936	Haan, Jr.	
2,117,192 A	5/1938	McClung	
2,131,458 A	9/1938	Turner	
2,203,341 A	6/1940	Roedding	
2,539,083 A	1/1951	Jakeway	
2,705,729 A	3/1955	Jakeway	
D204,087 S	3/1966	Adler	
4,025,094 A	5/1977	Mitchell	
4,038,718 A	8/1977	Reilhac et al.	
4,508,377 A	4/1985	Takasaki	
4,641,866 A	2/1987	Haeck et al.	
4,821,371 A	4/1989	Finkle	
5,026,101 A	6/1991	Dotterweich et al.	
D319,380 S	8/1991	Politzer et al.	
5,123,687 A	6/1992	Pfeiffer et al.	
D331,004 S	11/1992	Birch	
5,198,643 A *	3/1993	Miron et al.	235/382
D339,280 S *	9/1993	Bray et al.	D8/301
5,461,755 A	10/1995	Hardigg et al.	
5,465,462 A	11/1995	Yamada	
5,475,996 A *	12/1995	Chen	70/279.1
D365,976 S *	1/1996	Chiu	D8/330
5,504,974 A	4/1996	Graber	
5,987,945 A *	11/1999	Ruano Aramburu	70/277
6,009,932 A	1/2000	Smith	

6,035,492 A *	3/2000	Warshaviak	292/336.3
D423,320 S	4/2000	Kelly	
D423,902 S *	5/2000	Libby et al.	D8/301
RE37,518 E	1/2002	Hardigg et al.	
6,349,450 B1	2/2002	Koops et al.	
6,363,577 B1	4/2002	Spitzley	
6,367,124 B1 *	4/2002	Bella et al.	292/336.3
6,397,435 B1	6/2002	Gosselet	
6,490,895 B1	12/2002	Weinerman et al.	
6,733,050 B1 *	5/2004	Yao	292/169
D502,641 S	3/2005	Marko	
D511,670 S *	11/2005	Chen	D8/301
D520,848 S *	5/2006	Metivier et al.	D8/301
D568,717 S *	5/2008	Longo et al.	D8/341

* cited by examiner

Primary Examiner—Prabhakar Deshmukh
(74) *Attorney, Agent, or Firm*—Harness, Dickey & Pierce,
P.L.C.

(57) **CLAIM**

The ornamental design for a door latch handle, as shown and described.

DESCRIPTION

FIG. 1 is a perspective view of a door latch handle showing my new design;

FIG. 2 is a side view of the door latch handle illustrated in FIG. 1;

FIG. 3 is a top view of the door latch handle illustrated in FIG. 1;

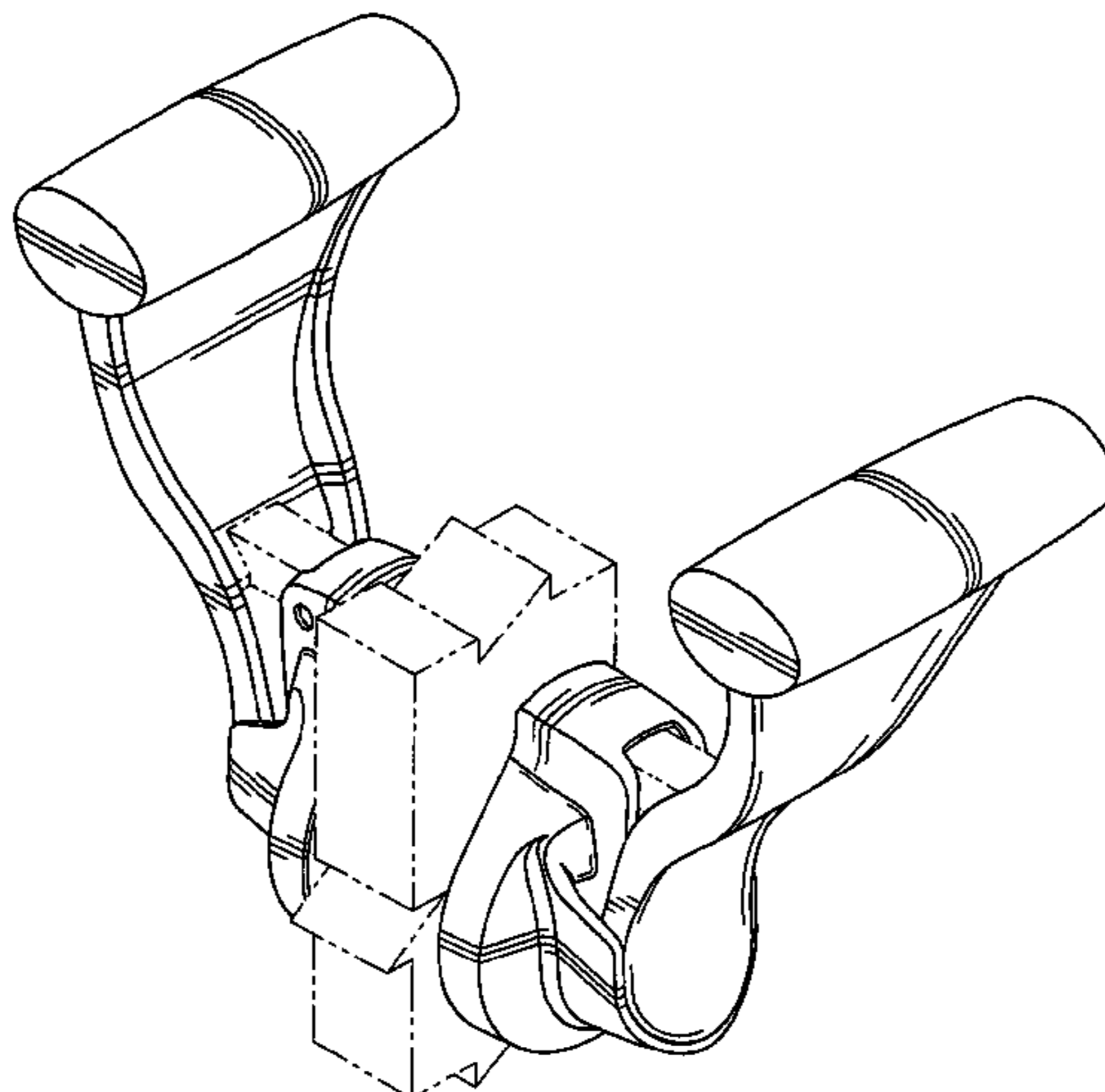
FIG. 4 is a bottom view of the door latch handle illustrated in FIG. 1;

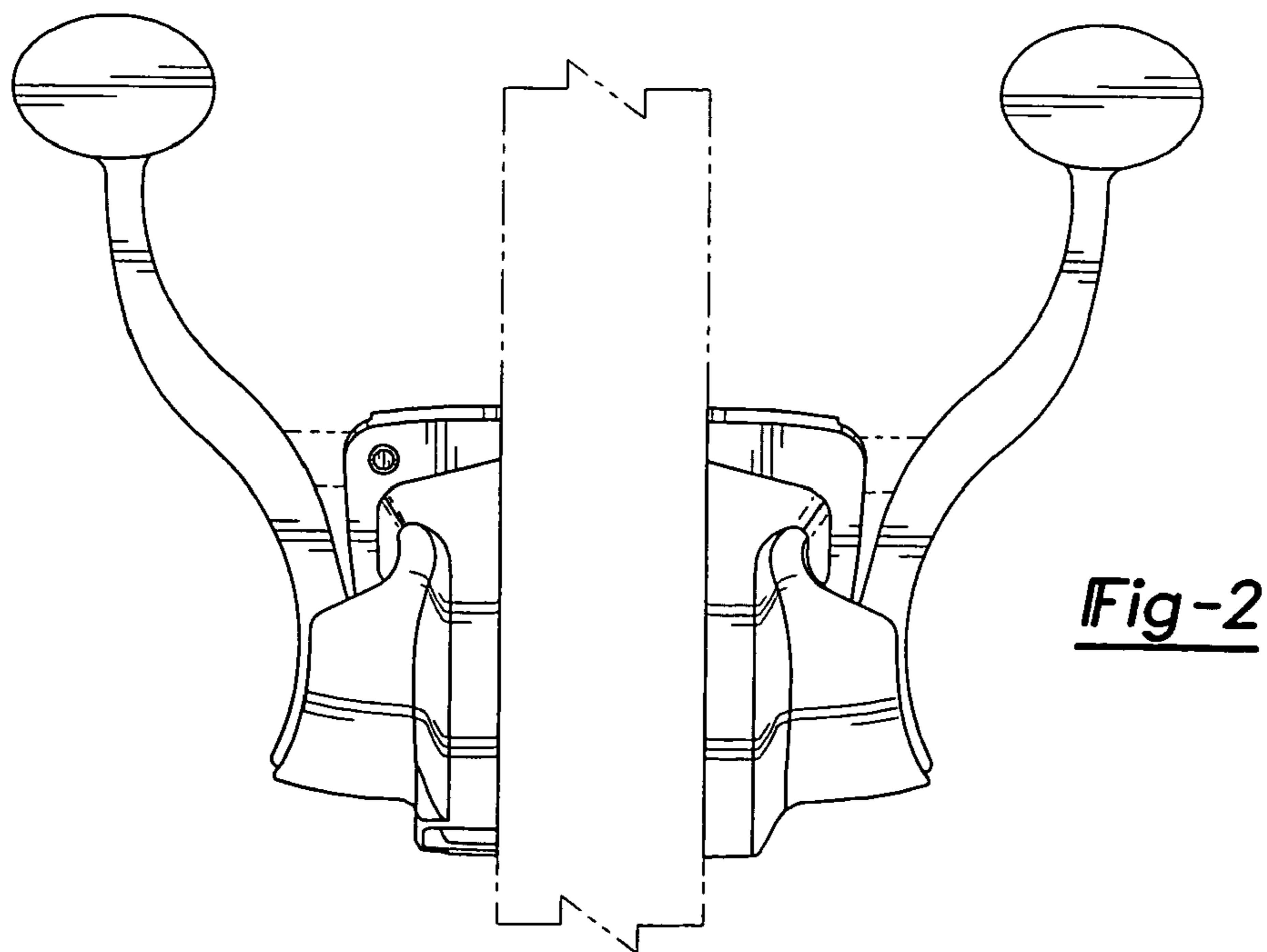
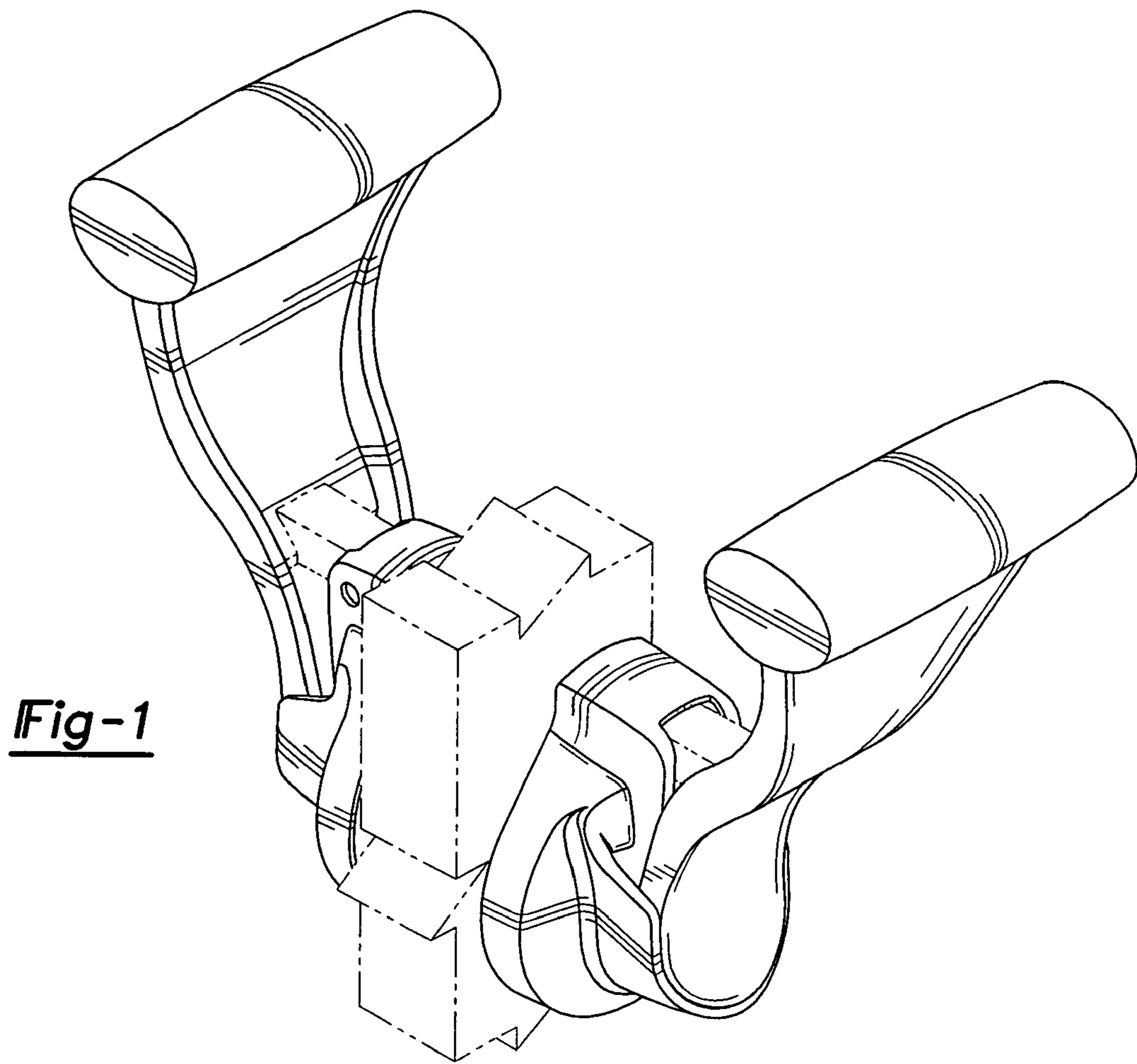
FIG. 5 is a front view of the exterior door latch handle illustrated in FIG. 1; and,

FIG. 6 is a front view of the interior door latch handle illustrated in FIG. 1.

The broken lines showing of door panel and handle portion are for illustrative purpose only and form no part of the claimed design.

1 Claim, 3 Drawing Sheets





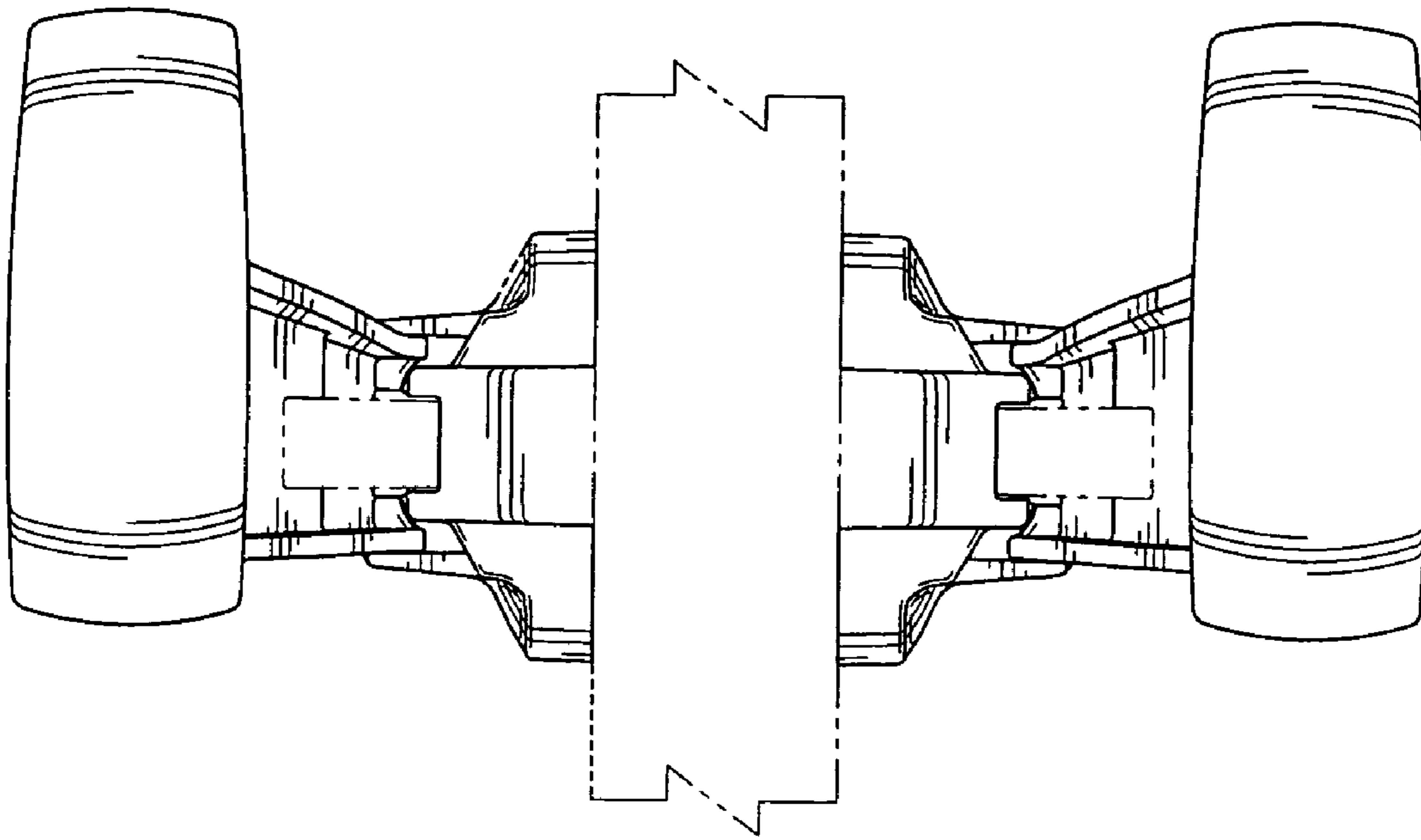


Fig-3

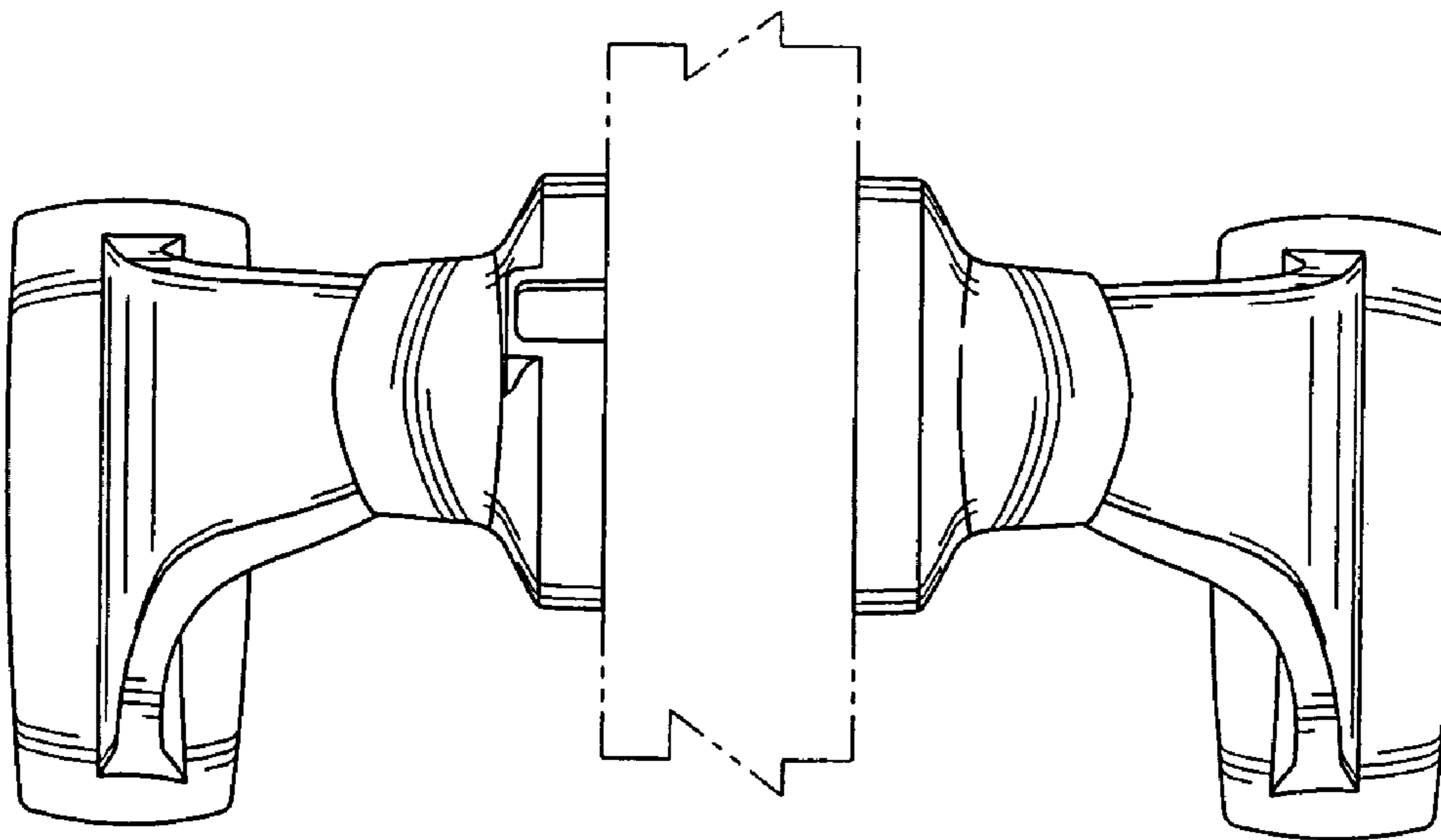


Fig-4

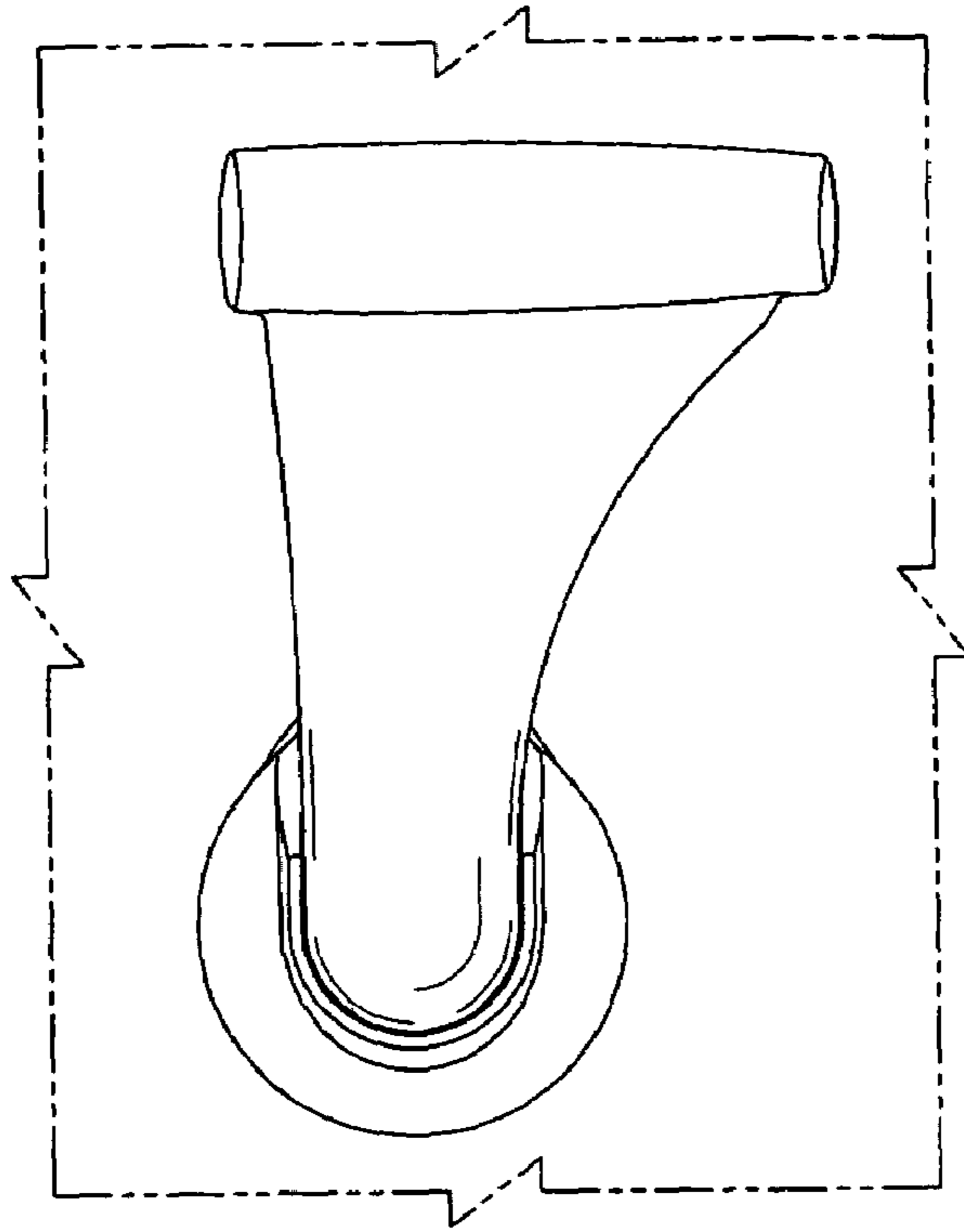


Fig-5

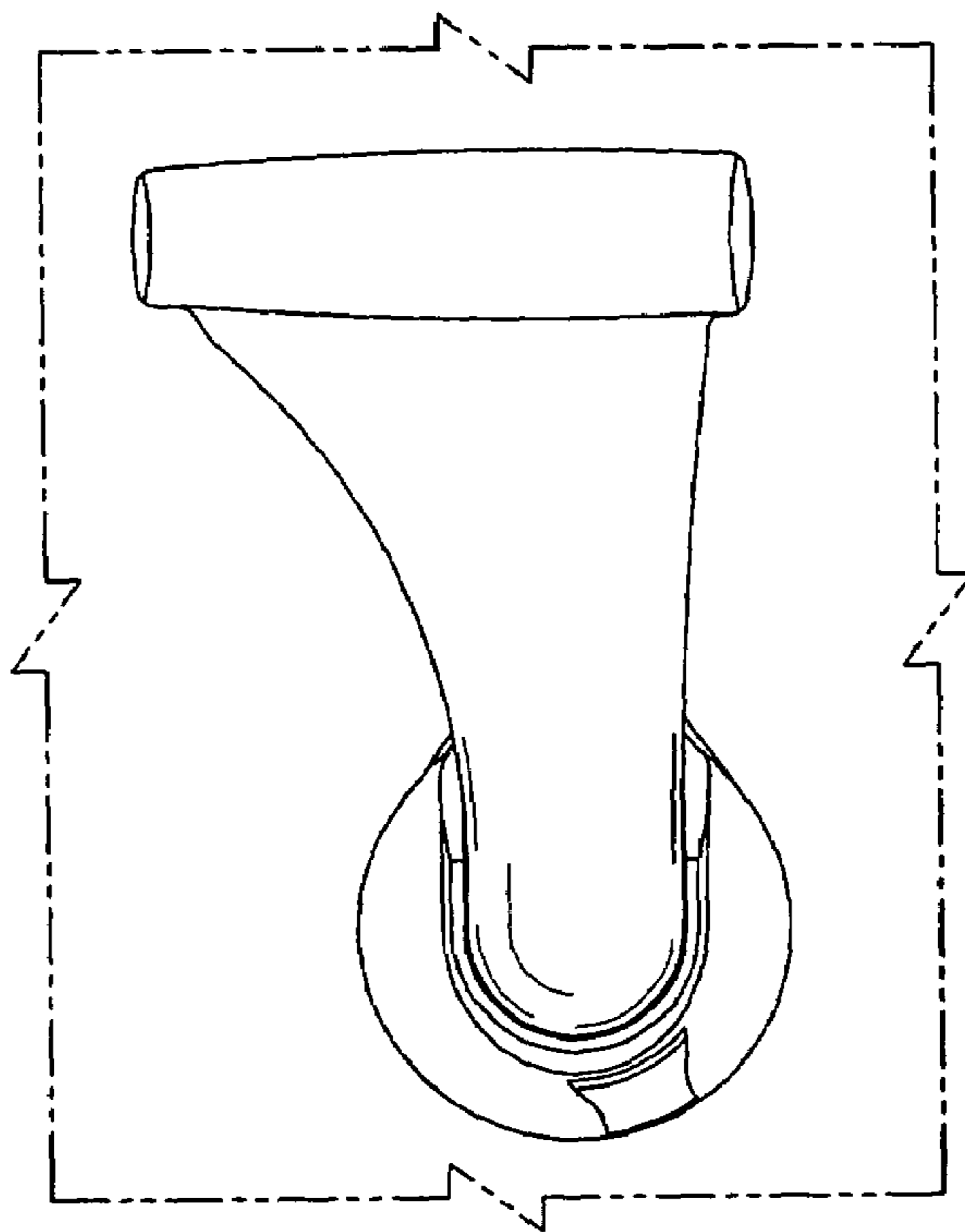


Fig-6