



US00D584590S

(12) **United States Design Patent**
Etter et al.

(10) **Patent No.:** **US D584,590 S**
(45) **Date of Patent:** **** Jan. 13, 2009**

- (54) **ROUTER**
- (75) Inventors: **Mark A. Etter**, Humboldt, TN (US);
Jeremy D. Leasure, Jackson, TN (US)
- (73) Assignee: **Balck & Decker Inc.**, Newark, DE (US)
- (**) Term: **14 Years**

33,045 A	9/1989	Gronholz
4,938,264 A	7/1990	Ferenczffy
4,938,642 A	7/1990	Imahashi et al.
5,005,617 A	4/1991	Michaels
5,013,196 A	5/1991	Friegang
5,078,557 A	1/1992	McCracken
5,088,865 A	2/1992	Beth et al.
5,094,575 A	3/1992	Kieser et al.
5,117,879 A *	6/1992	Payne 144/48.6
5,143,494 A *	9/1992	McCurry 409/182

- (21) Appl. No.: **29/216,273**
- (22) Filed: **Oct. 29, 2004**

(Continued)

- (51) **LOC (9) Cl.** **08-01**
- (52) **U.S. Cl.** **D8/67**
- (58) **Field of Classification Search** D8/61,
D8/67, 70, 107; 409/182, 180, 134, 132,
409/131; 144/48.6, 252.1, 154.5, 136.95;
310/89

FOREIGN PATENT DOCUMENTS

DE	3940910	6/1991
DE	1628945	4/1997
EP	0936033	8/1999
EP	1010497	6/2000
GB	1015225	12/1965
GB	1590290	5/1981
GB	2078028	12/1981
GB	2145678	4/1985
GB	2196571	5/1988
GB	2248987	1/1992
WO	87/04276	7/1987

See application file for complete search history.

(56) **References Cited**

U.S. PATENT DOCUMENTS

1,581,720 A	4/1926	Carter
D103,977 S	4/1937	Myers
3,363,510 A	1/1968	Burrows et al.
D213,761 S	4/1969	Lee
3,494,394 A	2/1970	Stock
3,767,876 A	10/1973	Batson
3,881,081 A	4/1975	Schilling et al.
4,051,880 A	10/1977	Hestily
4,316,685 A	2/1982	George
4,319,860 A *	3/1982	Bearse 409/182
4,323,100 A	4/1982	Silken
445,811 A	5/1984	Fyshiya et al.
4,562,872 A	1/1986	Fushiya et al.
4,566,512 A	1/1986	Wilson
4,566,830 A	1/1986	Maier et al.
D283,590 S	4/1986	Ibaraki
4,606,685 A	8/1986	Maier et al.
286,132 A	10/1986	Yamamoto
4,652,191 A	3/1987	Bernier
4,770,573 A	9/1988	Monobe
300,501 A	4/1989	Zurwelle
4,827,996 A	5/1989	Cotton et al.

Primary Examiner—Cathron C. Brooks
Assistant Examiner—Austin Murphy
 (74) *Attorney, Agent, or Firm*—Scott B. Markow; Adan Ayala

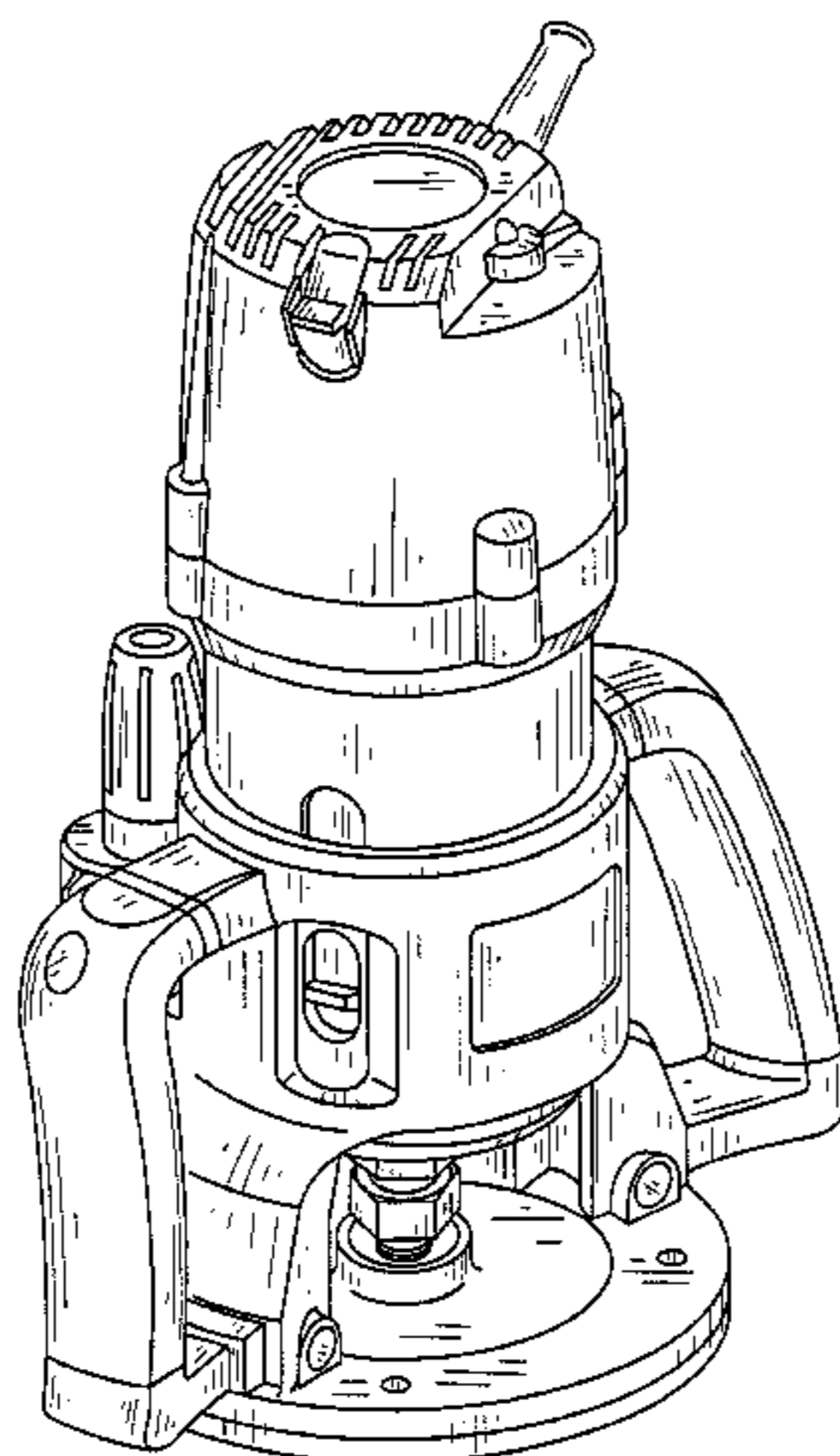
(57) **CLAIM**

We claim the ornamental design for the router, as shown and described.

DESCRIPTION

FIG. 1 is an isometric view showing my new design;
 FIG. 2 is top plan view thereof;
 FIG. 3 is a left side elevation view thereof;
 FIG. 4 is a front elevation view thereof;
 FIG. 5 is a right side elevation view thereof;
 FIG. 6 is rear elevation view thereof; and,
 FIG. 7 is a bottom plan view thereof.

1 Claim, 7 Drawing Sheets



US D584,590 S

Page 2

U.S. PATENT DOCUMENTS

5,188,492 A	2/1993	McCracken	D416,460 S	11/1999	Bosten
1,904,109 A	4/1993	Wendorf	5,998,897 A *	12/1999	Bosten et al. 310/89
5,207,253 A *	5/1993	Hoshino et al. 144/136.95	6,024,144 A	2/2000	Qian
340,174 A	10/1993	Hoshino et al.	6,182,723 B1 *	2/2001	Bosten et al. 144/154.5
D340,174 S *	10/1993	Hoshino et al. D8/67	6,244,797 B1 *	6/2001	Wheeler 409/182
D341,305 S *	11/1993	Svetlik D8/70	D444,364 S	7/2001	Evans
349,637 A	8/1994	Hoshino et al.	6,261,036 B1	7/2001	Bosten et al.
5,368,424 A	11/1994	Bettenhausen	D470,377 S *	2/2003	Lopano D8/67
D364,790 S	12/1995	Duennes	6,896,451 B2 *	5/2005	Oberheim 409/131
5,503,203 A	4/1996	Stornetta	D511,078 S *	11/2005	Baumgaertner D8/67
5,570,776 A	11/1996	Buchholz et al.	D531,870 S *	11/2006	Andriolo D8/67
5,584,620 A	12/1996	Blickhan	D531,871 S *	11/2006	Etter et al. D8/67
5,671,789 A *	9/1997	Stolzer et al. 144/154.5	D546,654 S *	7/2007	Etter et al. D8/67
5,740,847 A	4/1998	Lakso	D553,930 S *	10/2007	Robson D8/67
5,853,273 A	12/1998	Coffey	7,290,575 B2 *	11/2007	Freese et al. 144/136.95
5,909,987 A	6/1999	Coffey et al.	7,316,528 B2 *	1/2008	Cooper et al. 409/182
5,913,645 A	6/1999	Coffey	7,334,614 B2 *	2/2008	Cooper et al. 144/136.95
			2005/0201839 A1 *	9/2005	Freese et al. 409/182

* cited by examiner

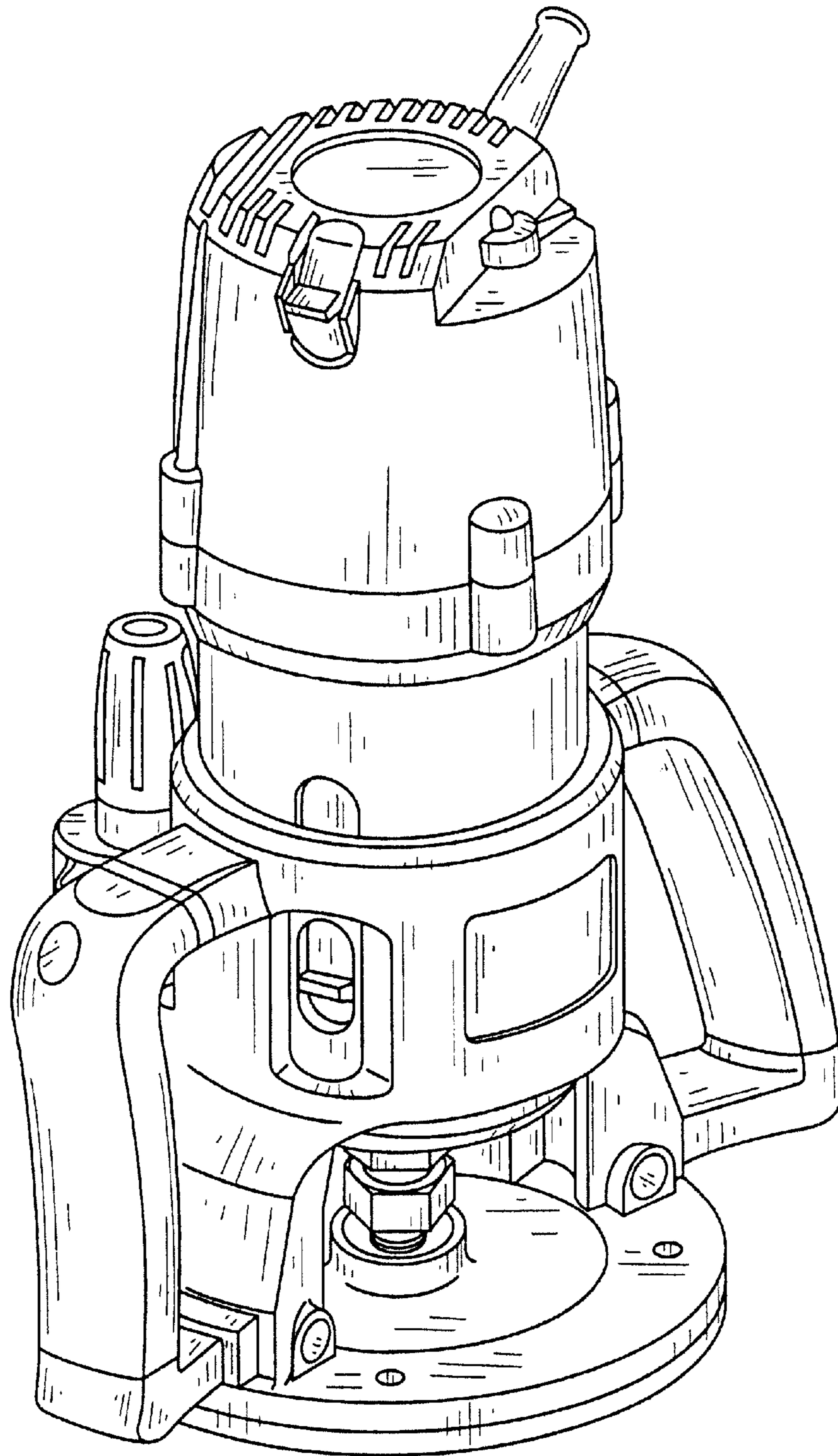


FIG. 1

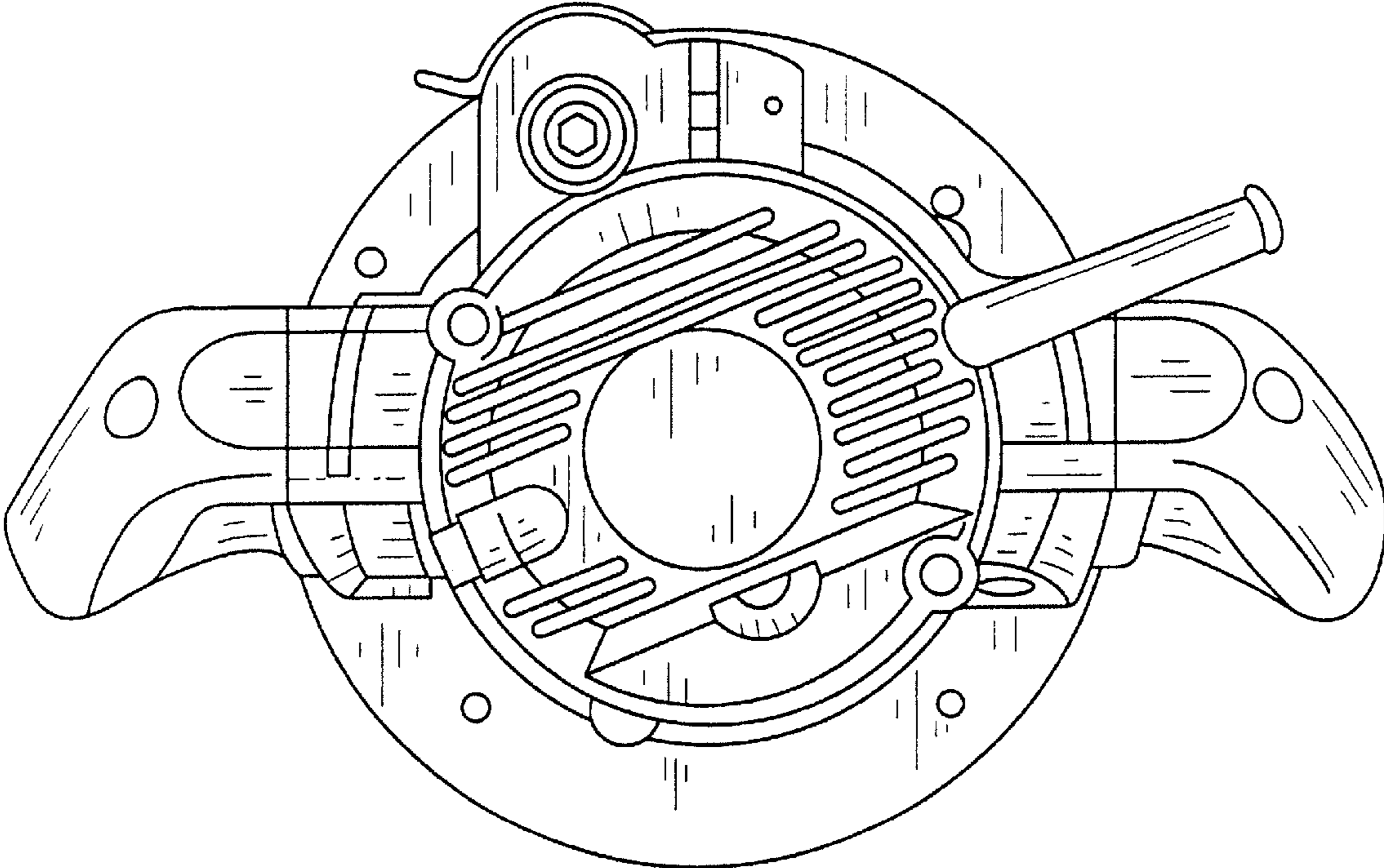


FIG. 2

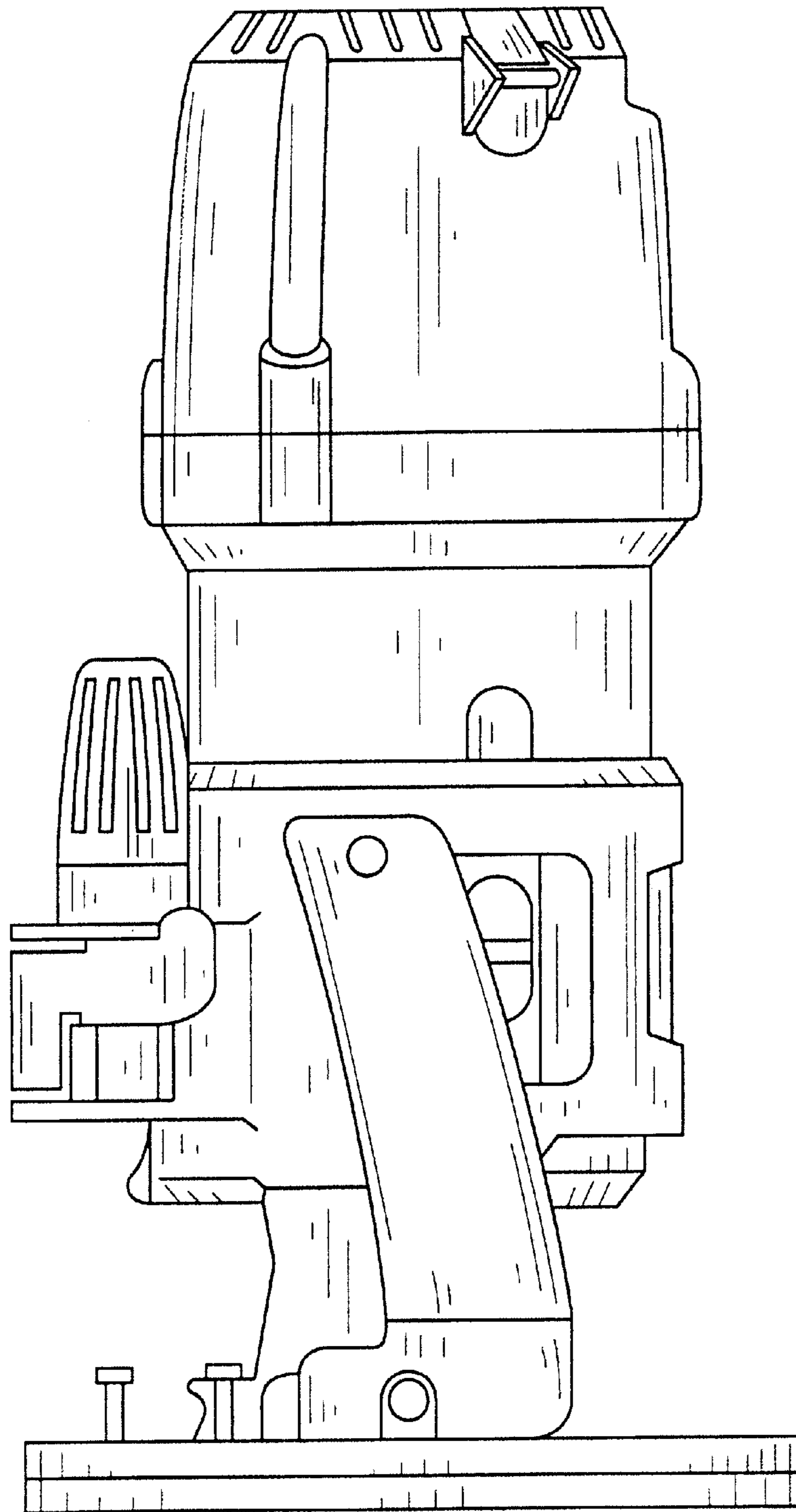


FIG. 3

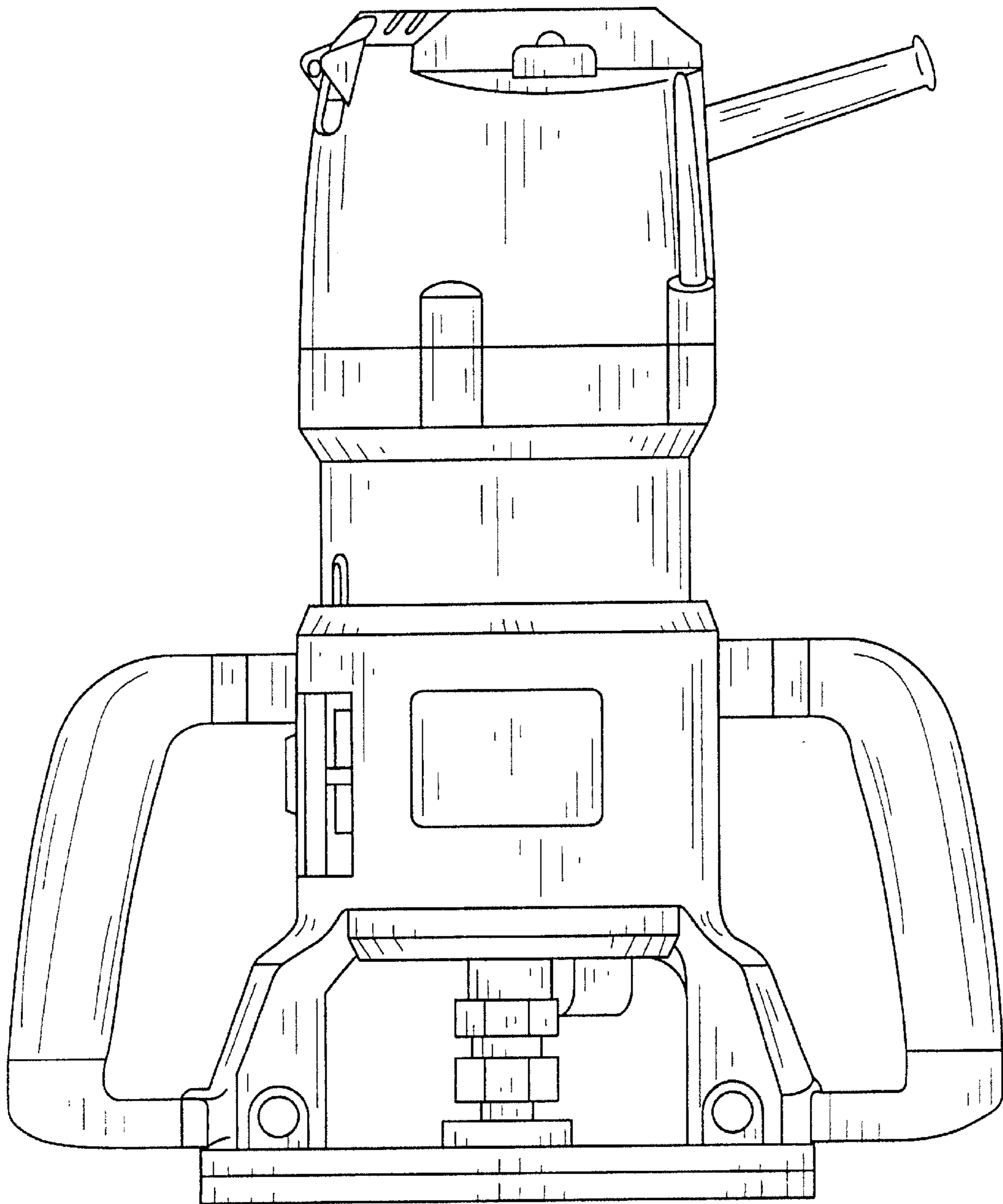


FIG. 4

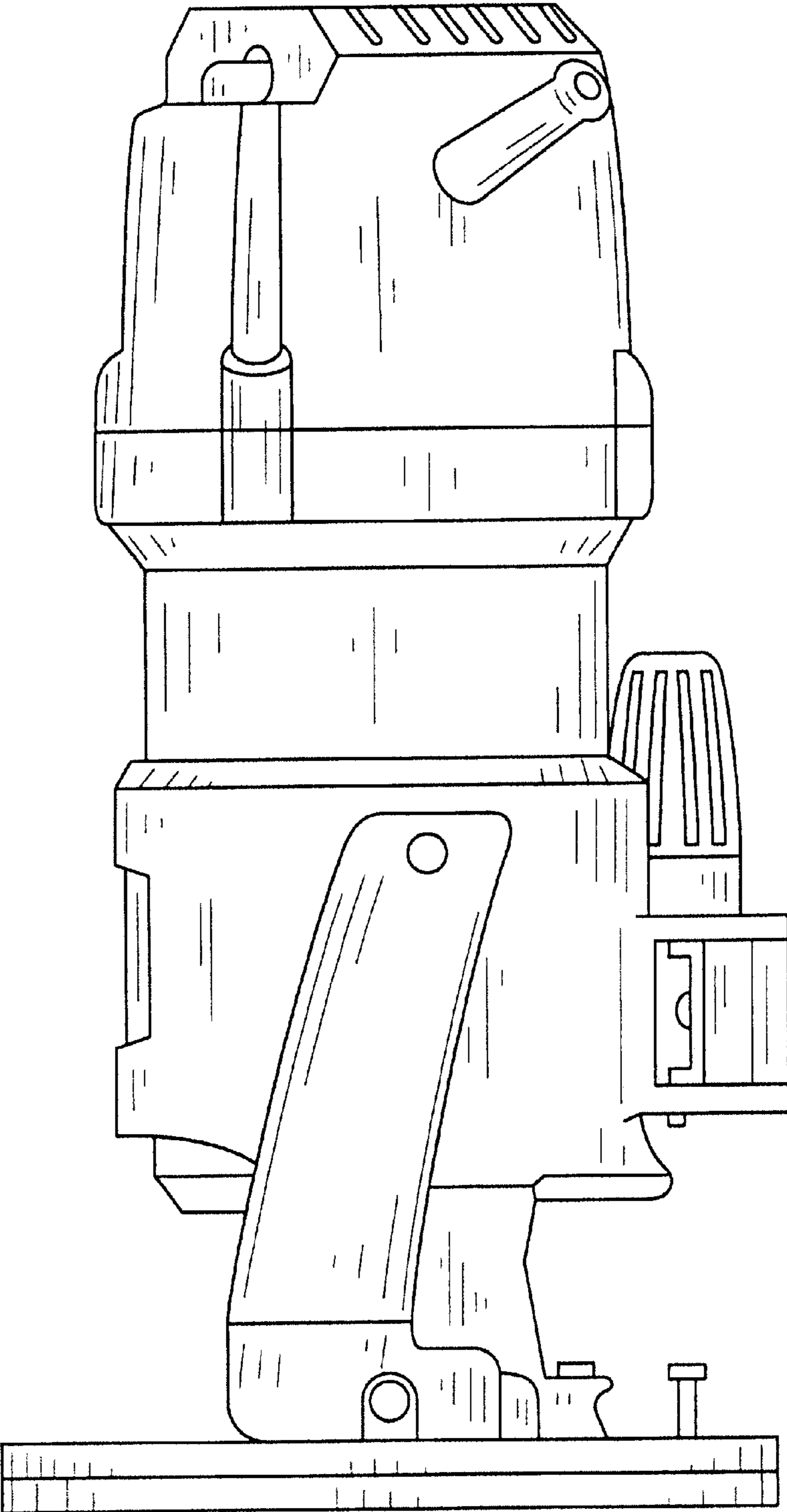


FIG. 5

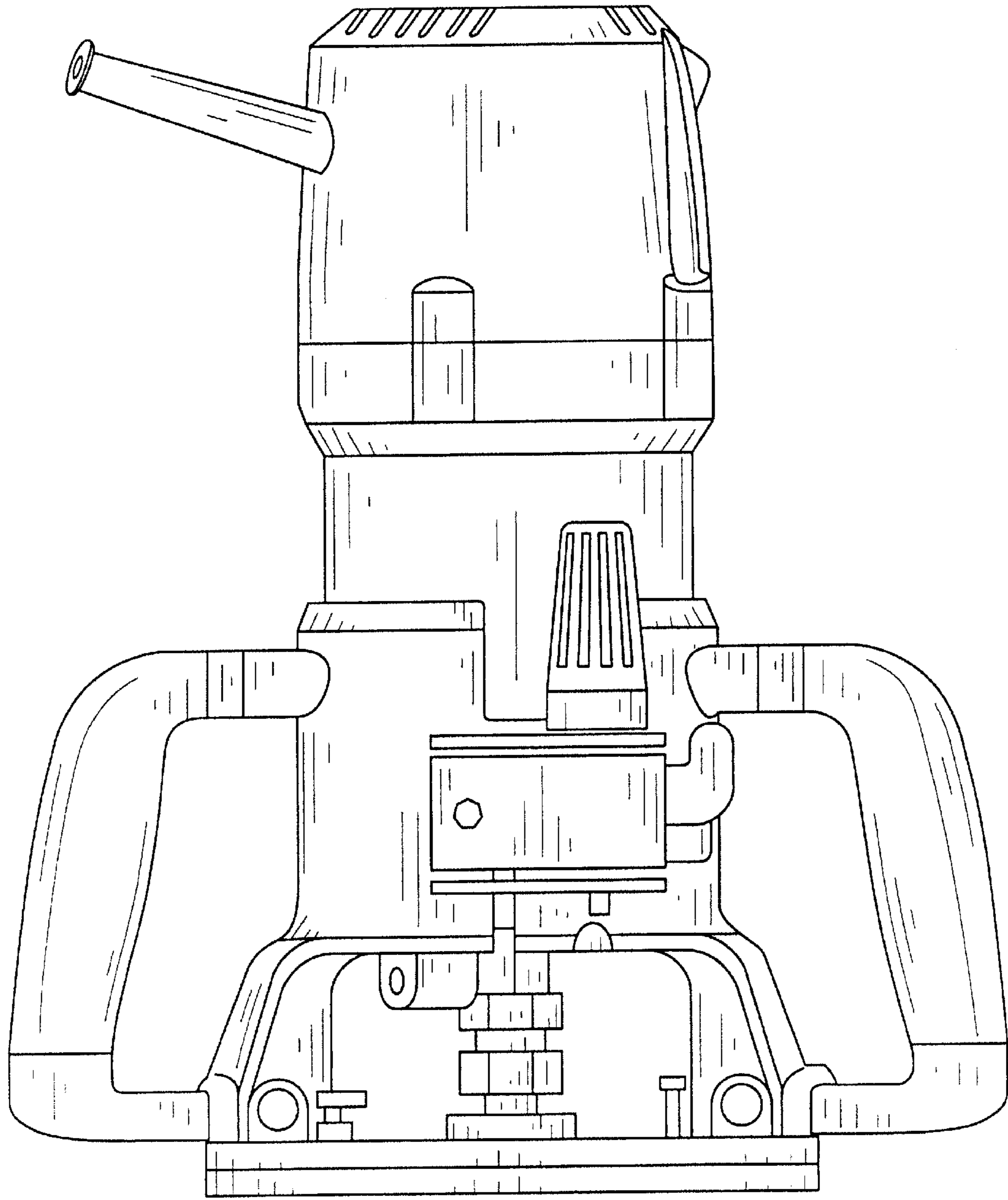


FIG. 6

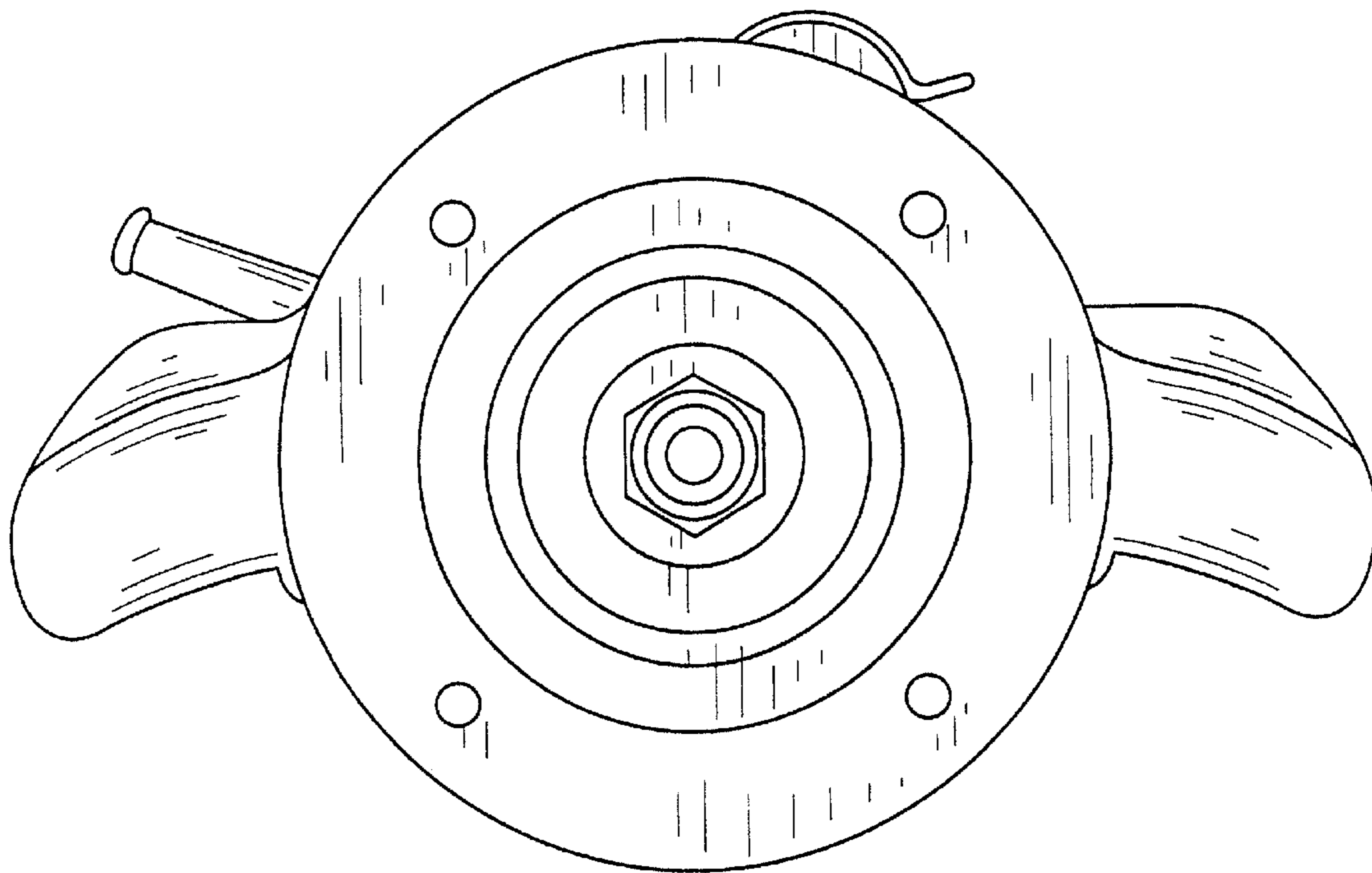


FIG. 7