



US00D584589S

(12) **United States Design Patent**
Van Wambeke

(10) **Patent No.:** **US D584,589 S**
(45) **Date of Patent:** **** Jan. 13, 2009**

- (54) **JIGSAW**
- (75) Inventor: **Weston J. Van Wambeke**, Towson, MD (US)
- (73) Assignee: **Black & Decker Inc.**, Newark, DE (US)
- (**) Term: **14 Years**
- (21) Appl. No.: **29/320,779**
- (22) Filed: **Jul. 3, 2008**

D522,335 S	6/2006	Houghton	
D523,309 S *	6/2006	Schmid	D8/64
D523,311 S	6/2006	Welsh et al.	
D524,621 S	7/2006	Wu	
D524,622 S *	7/2006	Corcoran	D8/64
D525,098 S	7/2006	Taniguchi et al.	
D532,664 S *	11/2006	Wu	D8/64
D560,455 S *	1/2008	Yamamoto et al.	D8/64
D566,504 S *	4/2008	Hayakawa et al.	D8/64
D572,555 S	7/2008	Baumgaertner	
D573,858 S *	7/2008	Van Wambeke	D8/64
D573,859 S *	7/2008	Van Wambeke	D8/64
D574,687 S *	8/2008	Van Wambeke	D8/64
2003/0167641 A1	9/2003	Teng	
2003/0196338 A1	10/2003	Eto et al.	

Related U.S. Application Data

- (62) Division of application No. 29/295,160, filed on Sep. 21, 2007.

- (51) **LOC (9) Cl.** **08-03**
- (52) **U.S. Cl.** **D8/64**
- (58) **Field of Classification Search** D8/69,
D8/68, 67, 66, 64, 61; 83/747, 699.21; 310/50;
30/394, 393, 392, 391, 390, 377, 376; 173/216,
173/217; D21/532; D7/379

See application file for complete search history.

(56) **References Cited**

U.S. PATENT DOCUMENTS

D404,274 S	1/1999	Ogasawara et al.	
D414,094 S *	9/1999	Heun	D8/64
D440,474 S	4/2001	Heun	
D446,703 S	8/2001	Netzler	
D463,963 S *	10/2002	Metaxatos et al.	D6/64
D474,384 S *	5/2003	Andriolo	D8/64
D476,871 S *	7/2003	Santarsiero et al.	D8/64
D486,711 S *	2/2004	Tam et al.	D8/64
6,705,017 B2 *	3/2004	Ellis et al.	30/375
D489,239 S *	5/2004	Keller	D8/64
D519,014 S *	4/2006	Aglassinger	D8/64
D519,346 S *	4/2006	Wu	D8/64
D519,804 S	5/2006	Wu	
D519,805 S	5/2006	Ng	
D519,806 S	5/2006	Waldron	
D520,318 S *	5/2006	Waldron	D8/64
D521,335 S	5/2006	Parel et al.	
D521,834 S *	5/2006	Andriolo et al.	D8/64

OTHER PUBLICATIONS

Assembly view and parts list for Black and Decker Jigsaw Model No. JS350K, Type 1, Published 2005.

(Continued)

Primary Examiner—Cathron C Brooks
Assistant Examiner—Austin Murphy
(74) *Attorney, Agent, or Firm*—Harness, Dickey & Pierce, P.L.C.

(57) **CLAIM**

The ornamental design for a jigsaw, as shown and described.

DESCRIPTION

FIG. 1 is a side view of a jigsaw in accordance with the present teachings.

FIG. 2 is an opposite side view of the jigsaw of FIG. 1.

FIG. 3 is a front view of the jigsaw of FIG. 1.

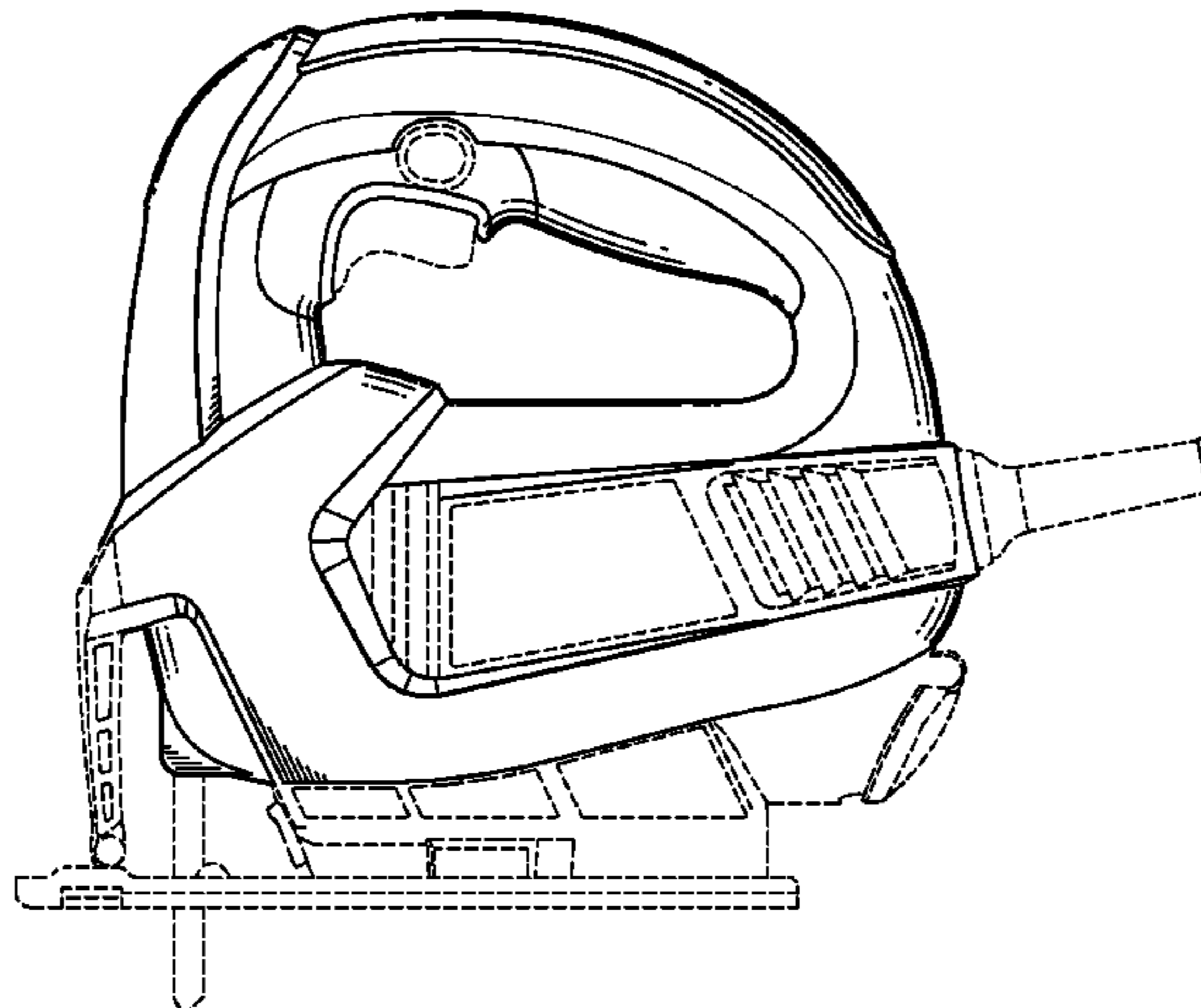
FIG. 4 is a rear view of the jigsaw of FIG. 1.

FIG. 5 is a top view of the jigsaw of FIG. 1, the bottom view of the jigsaw is excluded as it would be almost entirely obstructed by a cutting shoe shown in broken line; and,

FIG. 6 is a perspective view of the jigsaw of FIG. 1.

The broken lines shown in the drawings form no part of the claimed design.

1 Claim, 5 Drawing Sheets .



OTHER PUBLICATIONS

Assembly view and parts list for Black and Decker Jigsaw Model No. JS600K, Type 1, Published 2005.

Assembly view and parts list for Black and Decker Jigsaw Model No. DC330K, Type 10, Published 2005.

Assembly view and parts list for Black and Decker Jigsaw Model No. DW331K, Type 1, Published 2005.

Assembly view and parts list for Black and Decker Jigsaw Model No. JS500K, Type 1, Published 2005.

Assembly view and parts list for Black and Decker Jigsaw Model No. JS700K, Type 1, Published 2005.

Assembly view and parts list for Black and Decker Jigsaw Model No. FS18JS, Type 1, Published 2005.

German Design Registration No. M94 03 565.2; filed Dec. 29, 1003.

German Design Registration No. 499 05 194.7; filed May 27, 1999.

German Design Registration No. 499 01 078.7; filed Aug. 3, 1998.

German Design Registration No. 402 08 158.7; filed Apr. 17, 2002.

German Design Registration No. 402 08 159.5; filed Apr. 17, 2002.

German Design Registration No. 40401105; filed Feb. 20, 2004.

European Community Design Registration No. 000134408-0001; Registration date Jan. 26, 2004.

European Community Design Registration No. 000295613-0003; Registration date Feb. 9, 2005.

European Community Design Registration No. 000337506-0001; Registration date Apr. 28, 2005.

European Community Design Registration No. 000337530-0001; Registration date Jun. 28, 2005.

European Community Design Registration No. 000398151-0004; Registration date Sep. 8, 2005.

European Community Design Registration No. 000435482-0001; Registration date Nov. 18, 2005.

European Community Design Registration No. 000435482-0002; Registration date Nov. 18, 2005.

European Community Design Registration No. 000491162-0001; Registration date Mar. 3, 2006.

European Community Design Registration No. 000491170-0001; Registration date Mar. 7, 2006.

European Community Design Registration No. 000519392-0002; Registration date Apr. 26, 2006.

German Design Registration No. 40403290; filed May 28, 2004.

* cited by examiner

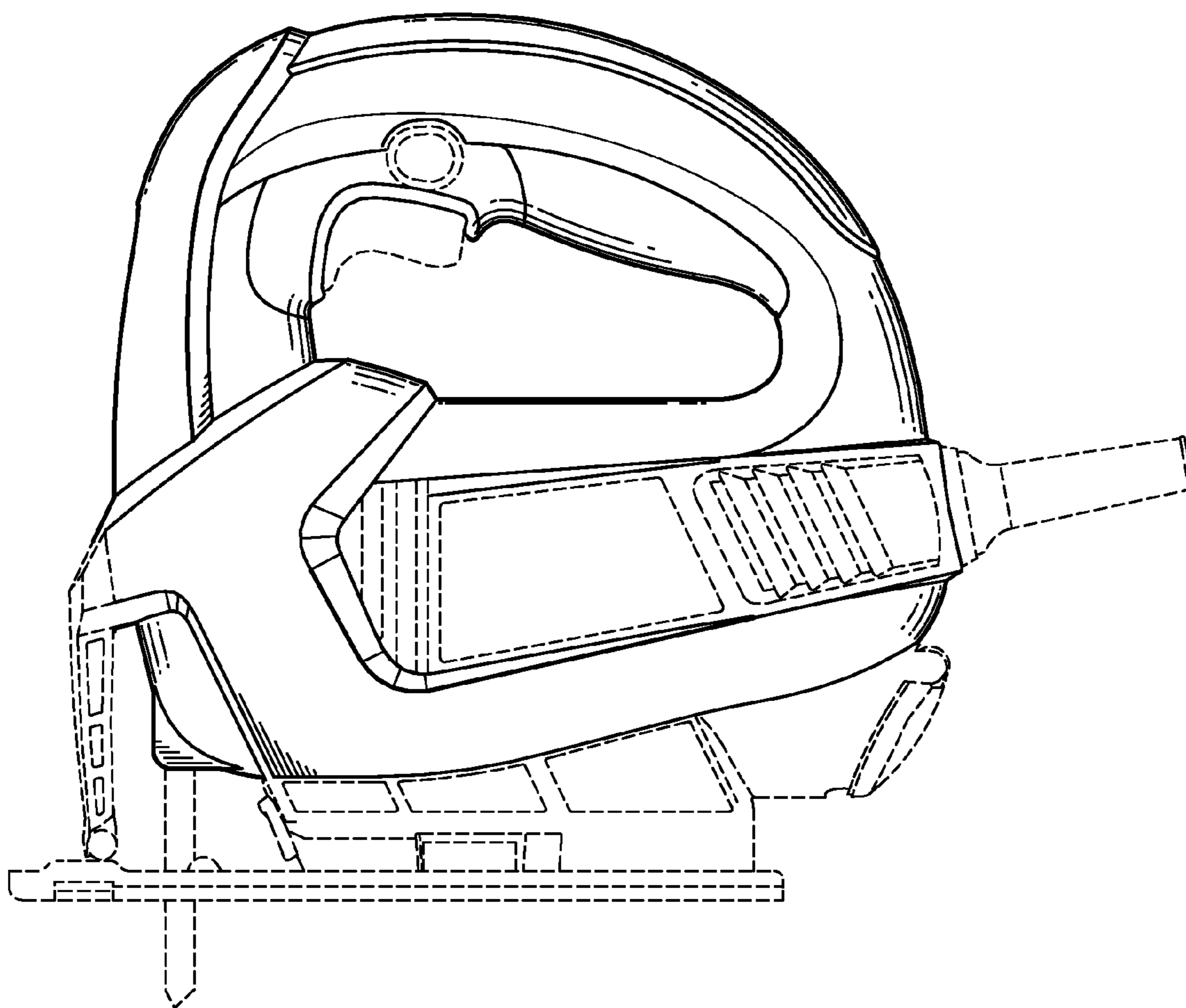


FIG. 1

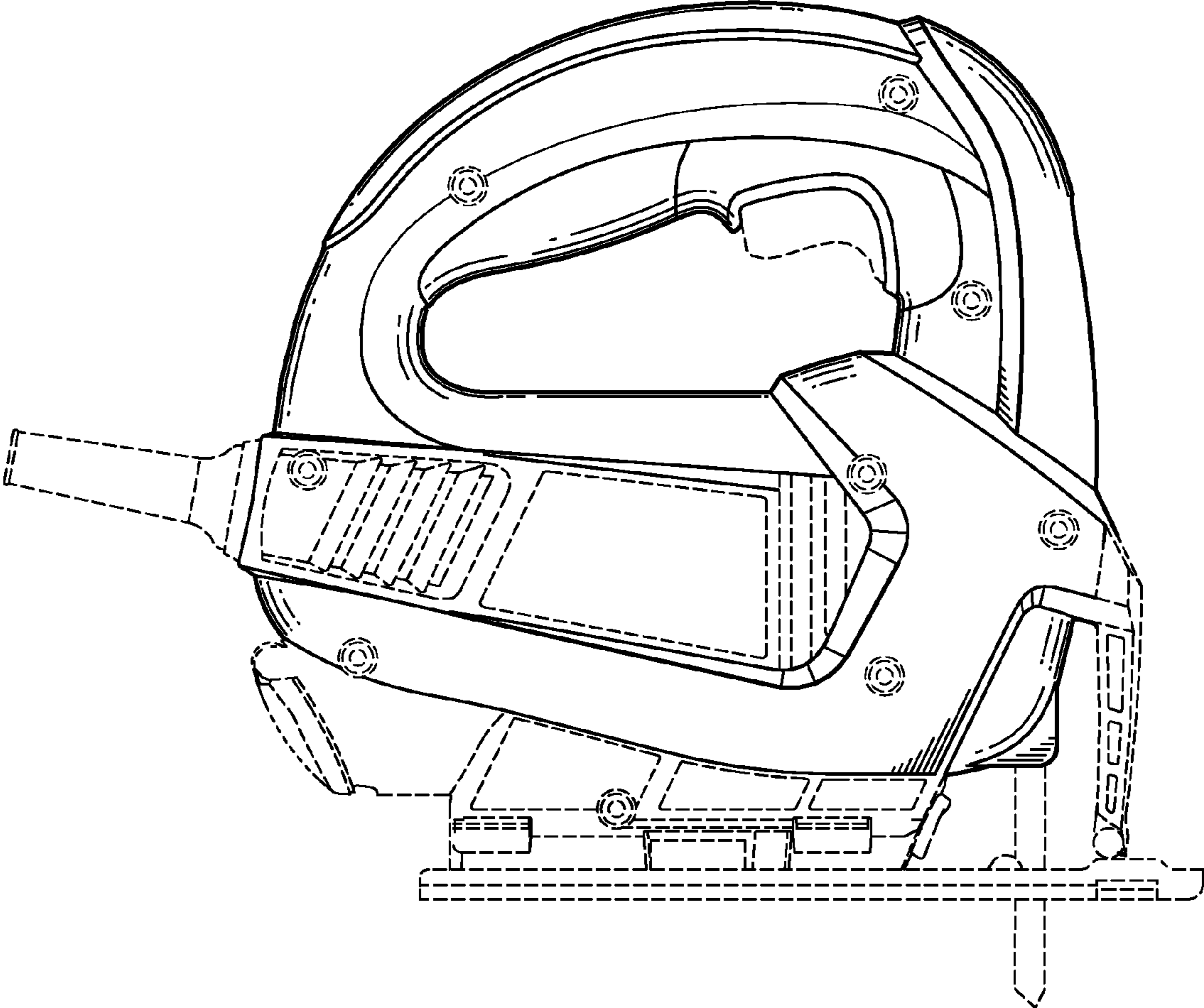


FIG. 2

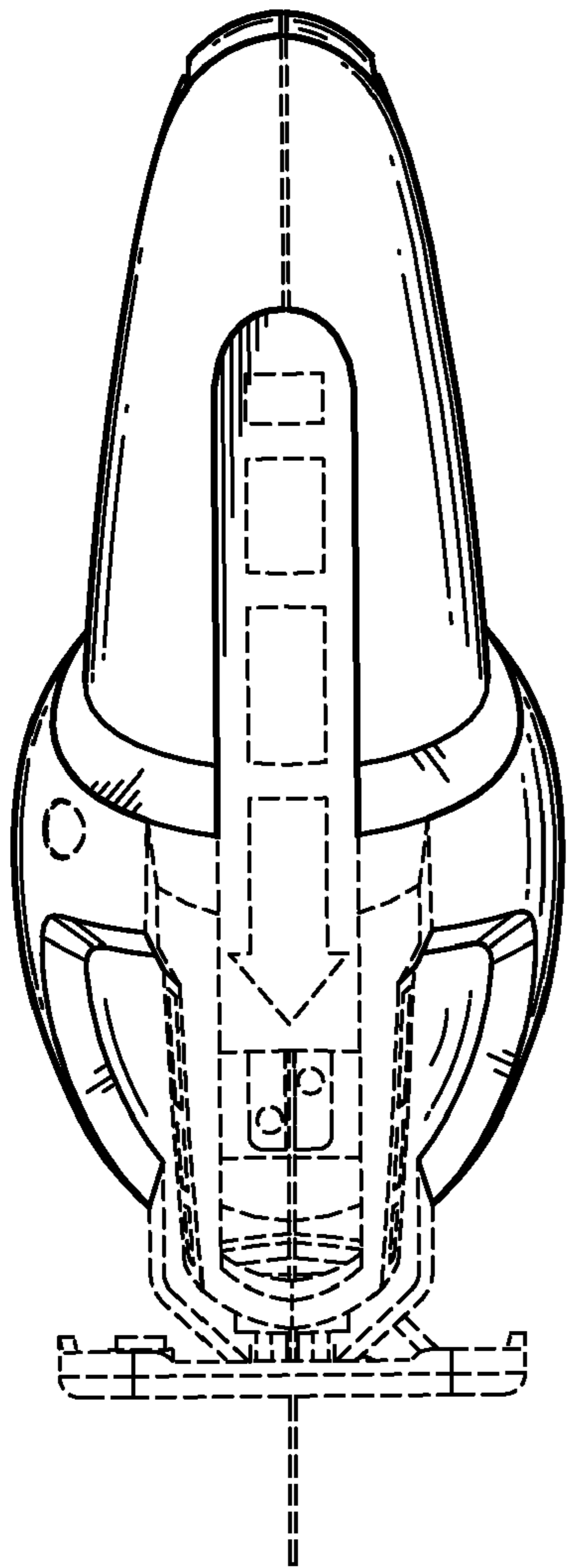


FIG. 3

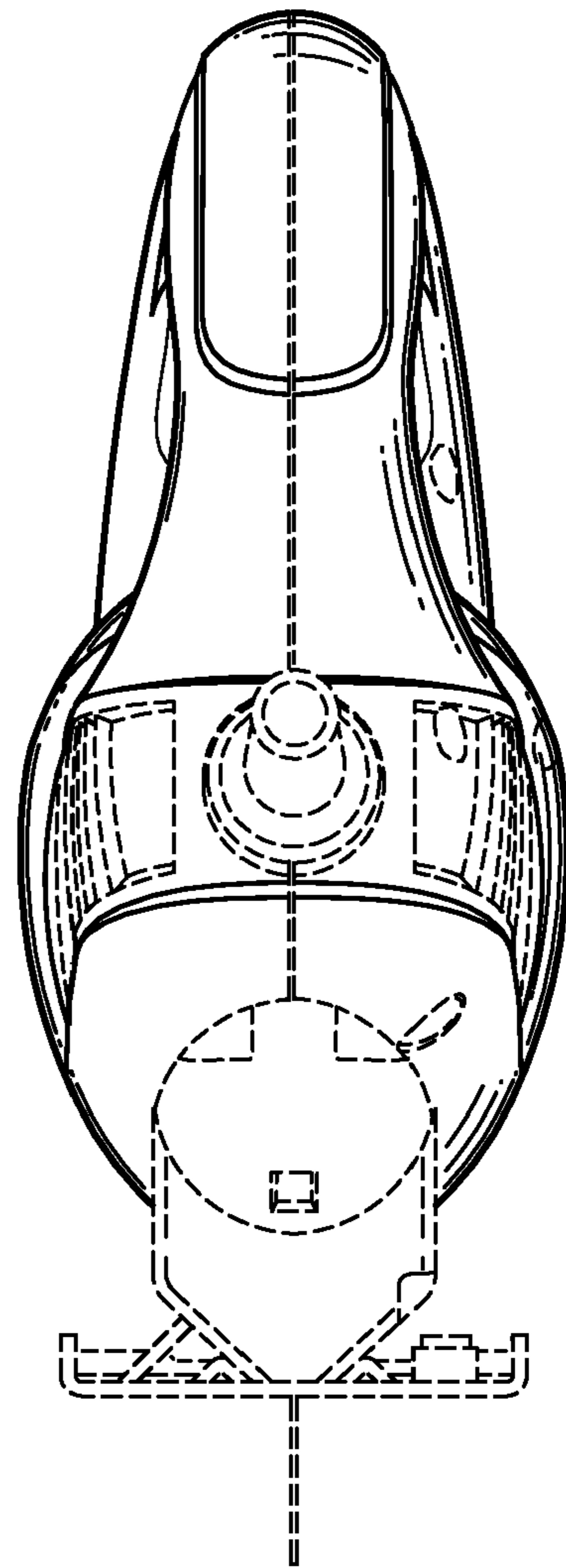


FIG. 4

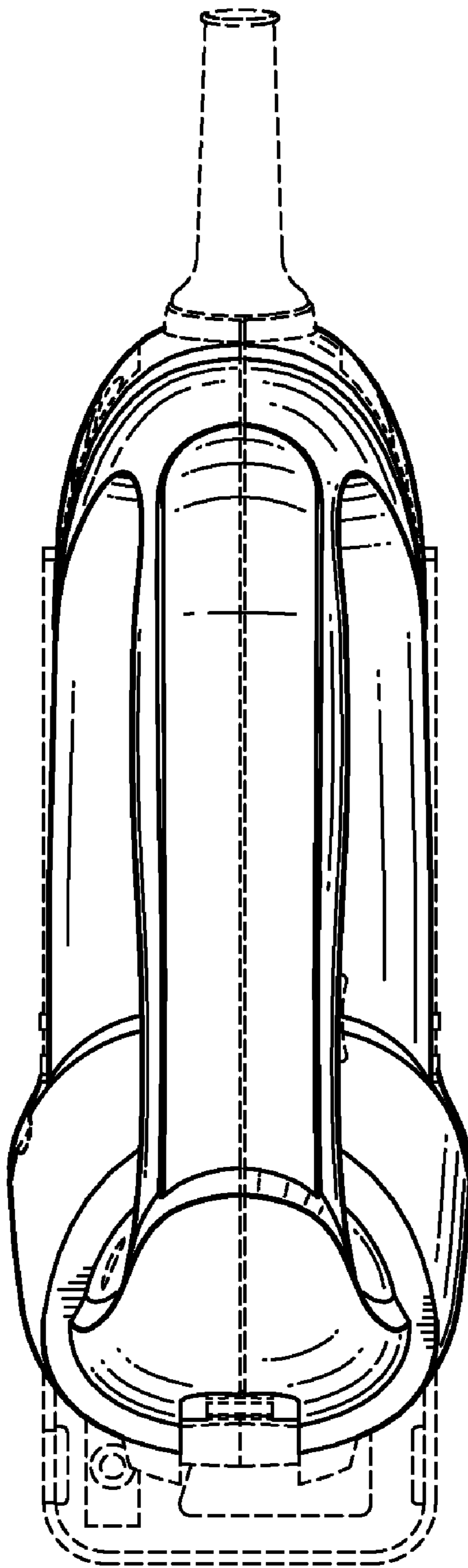


FIG. 5

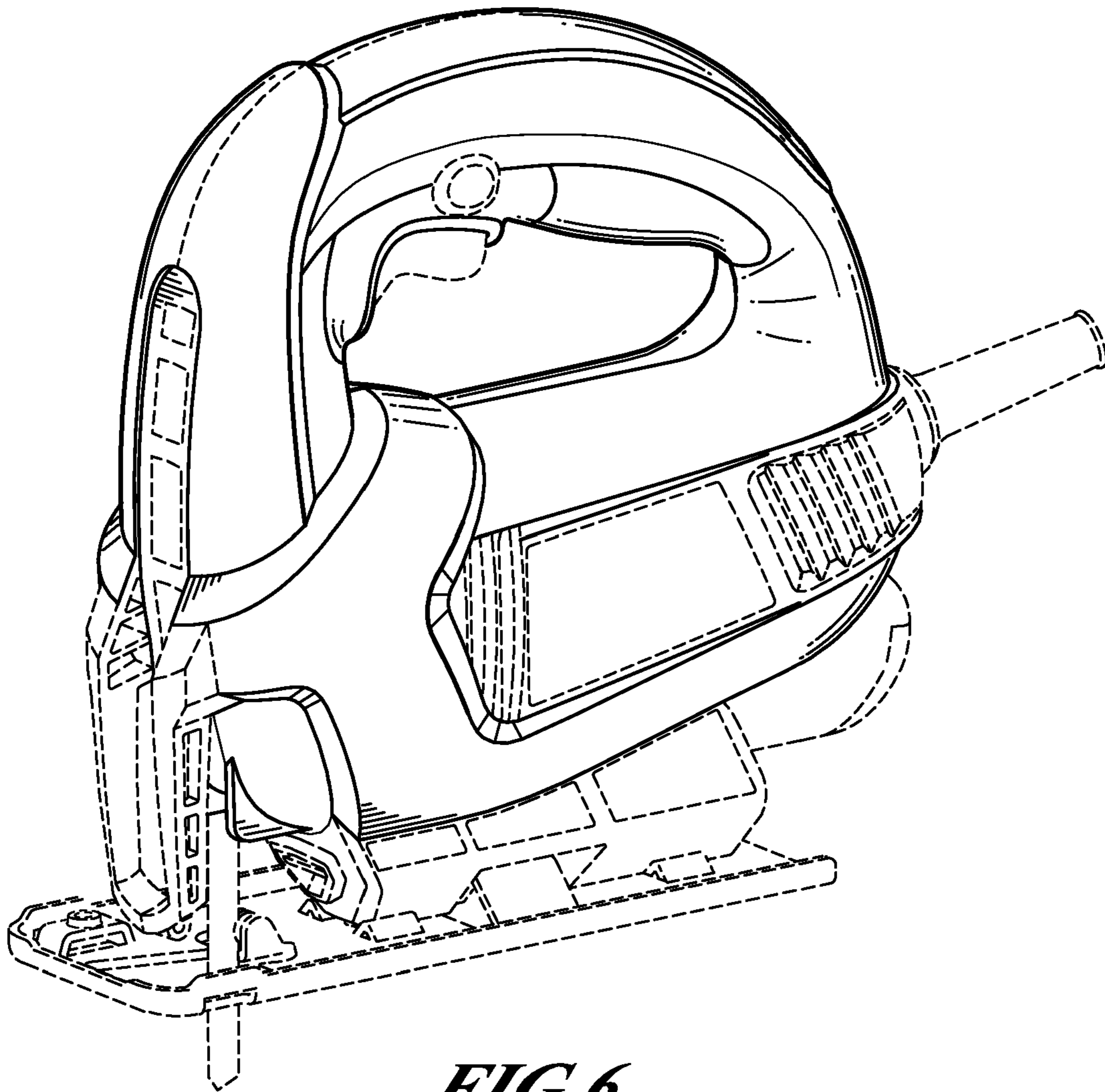


FIG. 6