



US00D584587S

(12) **United States Design Patent**  
**Lawrence et al.**

(10) **Patent No.:** **US D584,587 S**  
(45) **Date of Patent:** **\*\* Jan. 13, 2009**

(54) **TRIPLE GROOVE CONCRETE JOINTER**  
(75) Inventors: **David Lawrence**, Clever, MO (US);  
**Cassie Lawrence**, Clever, MO (US)  
(73) Assignee: **Lawrence Concrete, L.L.C.**, Clever,  
MO (US)  
(\*\*) Term: **14 Years**  
(21) Appl. No.: **29/307,375**  
(22) Filed: **Apr. 16, 2008**  
(51) **LOC (9) Cl.** ..... **08-05**  
(52) **U.S. Cl.** ..... **D8/45**  
(58) **Field of Classification Search** ..... D8/14,  
D8/45, 16; 15/235.4, 235.5, 235.6, 235.7,  
15/235.8; 404/89, 93, 97  
See application file for complete search history.

4,867,602 A 9/1989 Courtoise  
5,058,350 A 10/1991 Mochiki  
5,061,172 A 10/1991 Fennessy  
5,073,062 A 12/1991 Leone  
5,092,091 A 3/1992 Hull  
5,135,332 A 8/1992 Hellwig et al.  
5,160,748 A 11/1992 Gauuan  
D333,245 S \* 2/1993 Griggs ..... D8/45  
5,236,277 A 8/1993 Hybertson  
5,249,886 A 10/1993 Huerta  
5,468,094 A 11/1995 Vanderpan  
5,487,526 A 1/1996 Hupp  
5,487,656 A 1/1996 Kaitanjan  
5,632,569 A 5/1997 Szmansky  
5,676,489 A 10/1997 Willhoite  
5,956,912 A 9/1999 Carter et al.  
6,113,308 A 9/2000 Johnson  
6,138,318 A \* 10/2000 Pyatt et al. .... 15/235.4  
6,189,278 B1 2/2001 Stegmeier  
7,001,103 B2 2/2006 Sippola  
7,003,921 B2 2/2006 Hisano  
7,010,828 B1 \* 3/2006 Flores, Sr. et al. .... 15/235.3  
7,080,955 B2 7/2006 Gregg  
7,228,666 B2 6/2007 Michiels

(56) **References Cited**  
U.S. PATENT DOCUMENTS

761,242 A \* 5/1904 Meyers ..... 15/235.7  
1,445,229 A 2/1923 Miller  
3,758,909 A \* 9/1973 Granger, Jr. .... 15/235.8  
3,806,268 A \* 4/1974 Francis ..... 404/89  
3,936,209 A 2/1976 Krage  
3,936,210 A 2/1976 Oehlerking  
3,954,359 A 5/1976 Larkin et al.  
3,998,564 A 12/1976 Serlin  
4,032,249 A 6/1977 DeVitis  
4,070,128 A 1/1978 Garrison  
4,073,592 A 2/1978 Godberson  
4,090,800 A 5/1978 Koch  
4,097,173 A 6/1978 Tout  
4,171,849 A 10/1979 Jacobson et al.  
4,198,176 A 4/1980 Bentz  
4,224,274 A 9/1980 Ozawa  
4,231,677 A 11/1980 Roming  
4,253,816 A 3/1981 Tobias et al.  
4,299,513 A 11/1981 Stegmeier  
4,397,581 A \* 8/1983 Jarvis ..... 404/97  
4,516,875 A 5/1985 Turner  
4,743,140 A 5/1988 Maletic  
4,776,723 A 10/1988 Brimo  
4,822,209 A 4/1989 Dragich  
4,838,728 A 6/1989 McKeever

\* cited by examiner  
*Primary Examiner*—Philip S Hyder  
(74) *Attorney, Agent, or Firm*—Mark Murphey Henry;  
Nathan Price Chaney

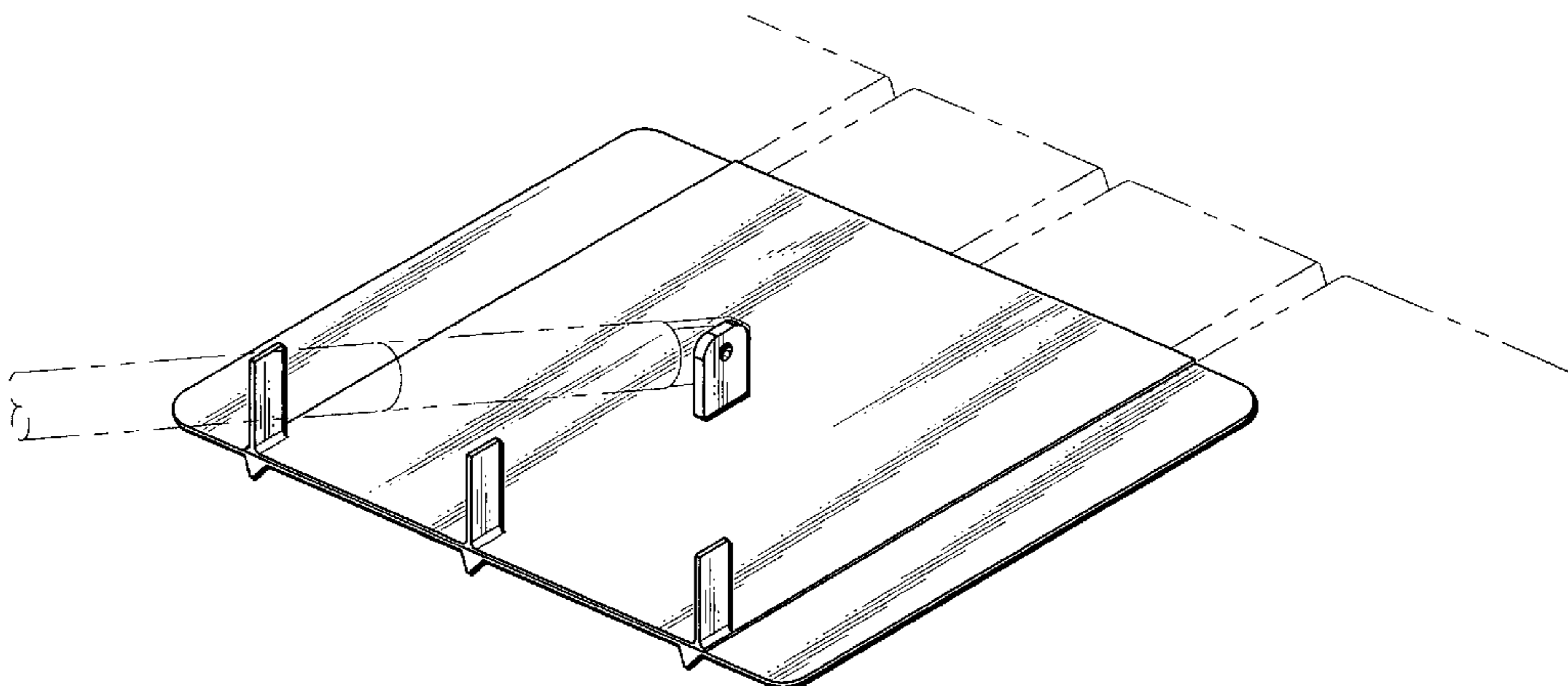
(57) **CLAIM**

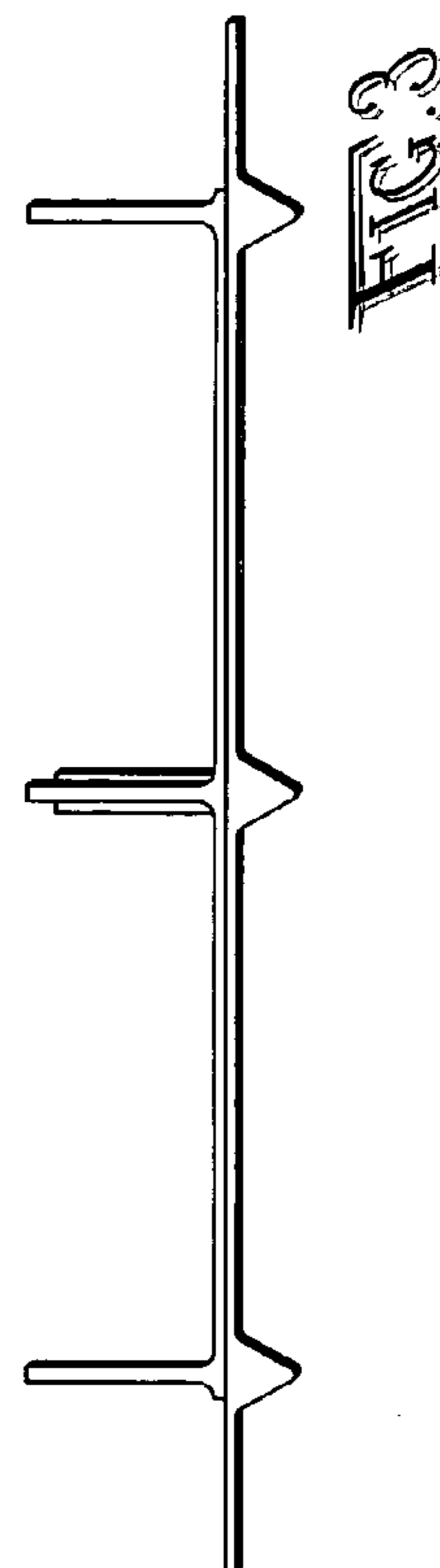
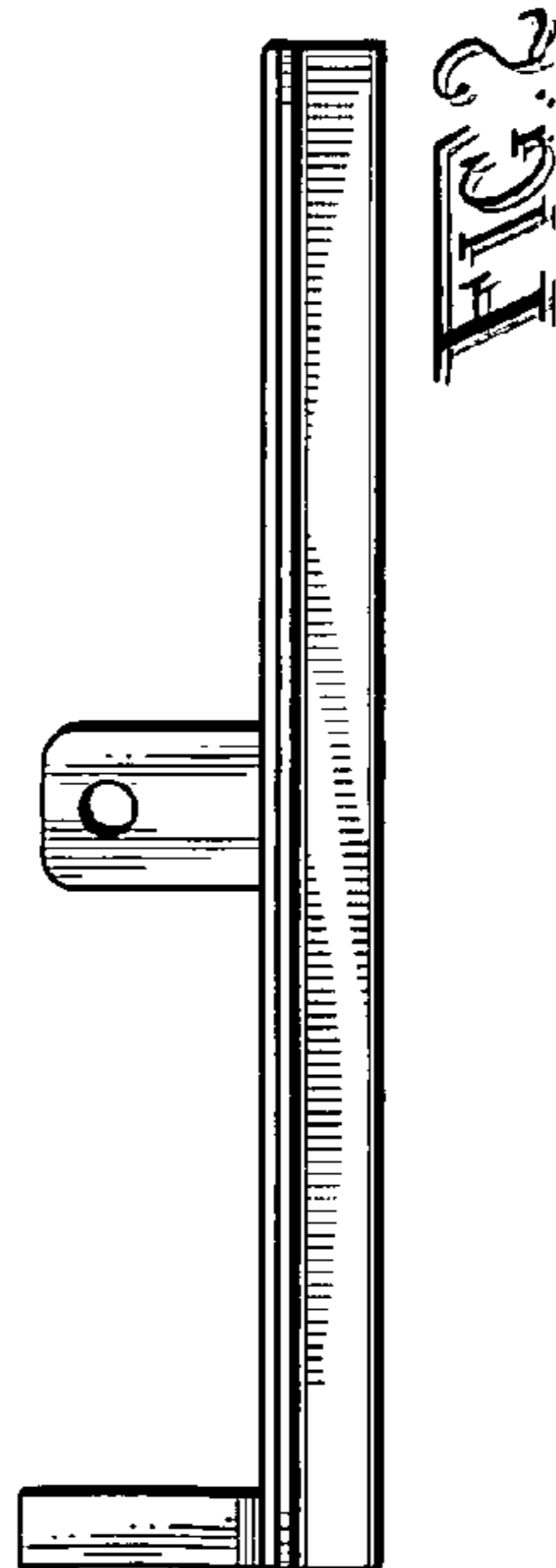
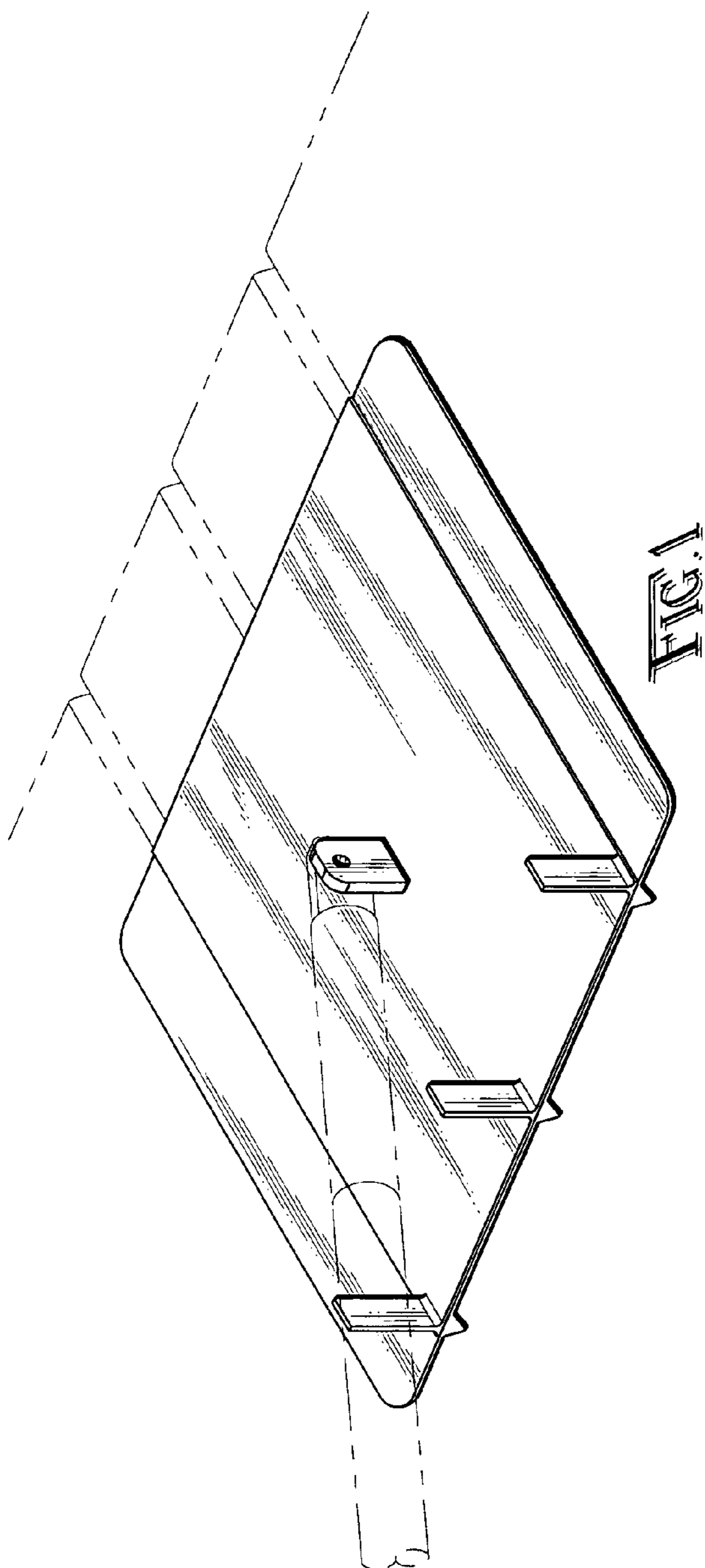
The ornamental design of a triple groove concrete jointer, as shown and described.

**DESCRIPTION**

FIG. 1 is a perspective view of the triple groove concrete jointer of the invention.  
FIG. 2 is a side view of the triple groove concrete jointer.  
FIG. 3 is a front view of the triple groove concrete jointer.  
FIG. 4 is a top view of the triple groove concrete jointer; and,  
FIG. 5 is a bottom view of the triple groove concrete jointer.  
The broken line portions of FIG. 1 are included for purposes of environment and form no part of the claimed design.

**1 Claim, 3 Drawing Sheets**





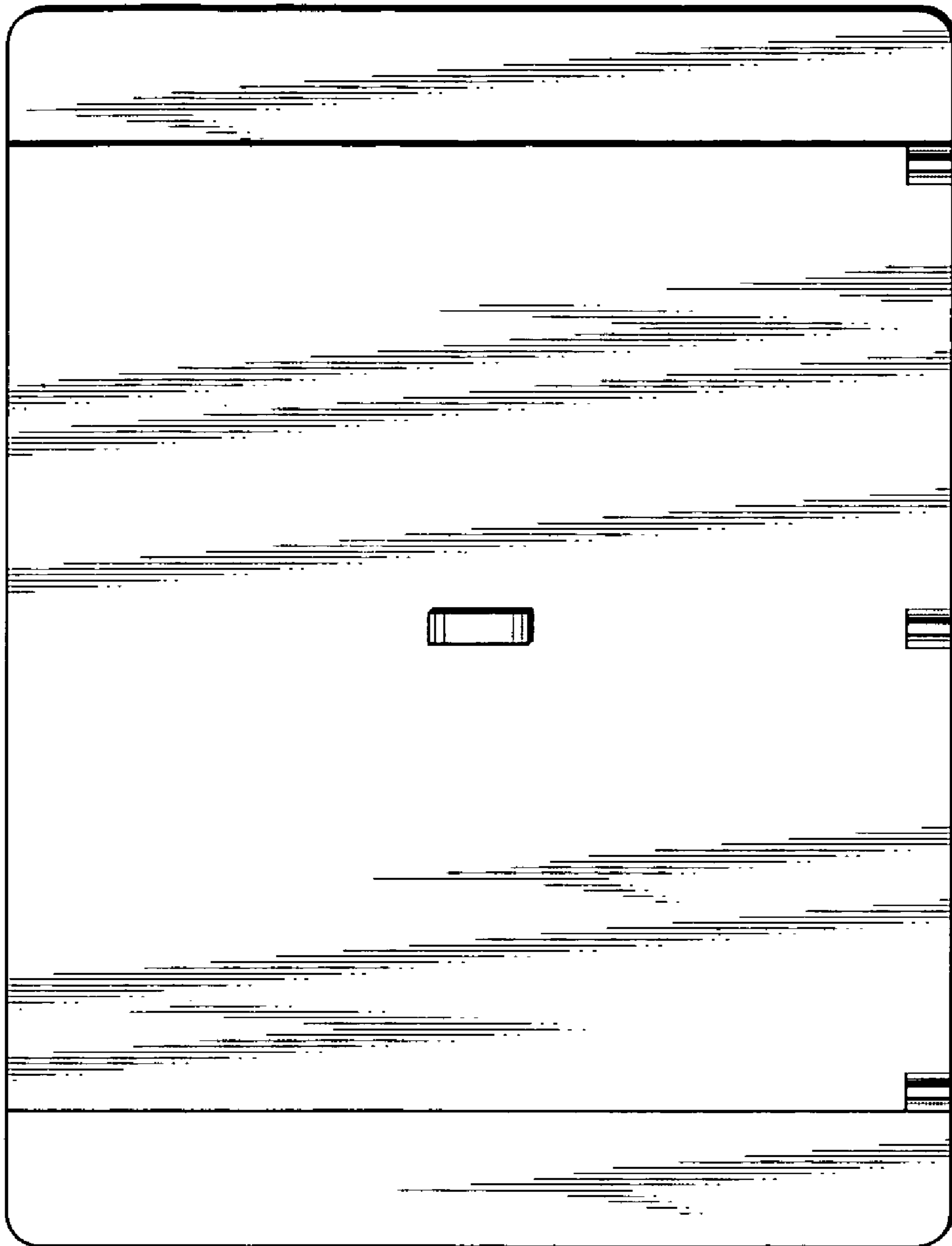
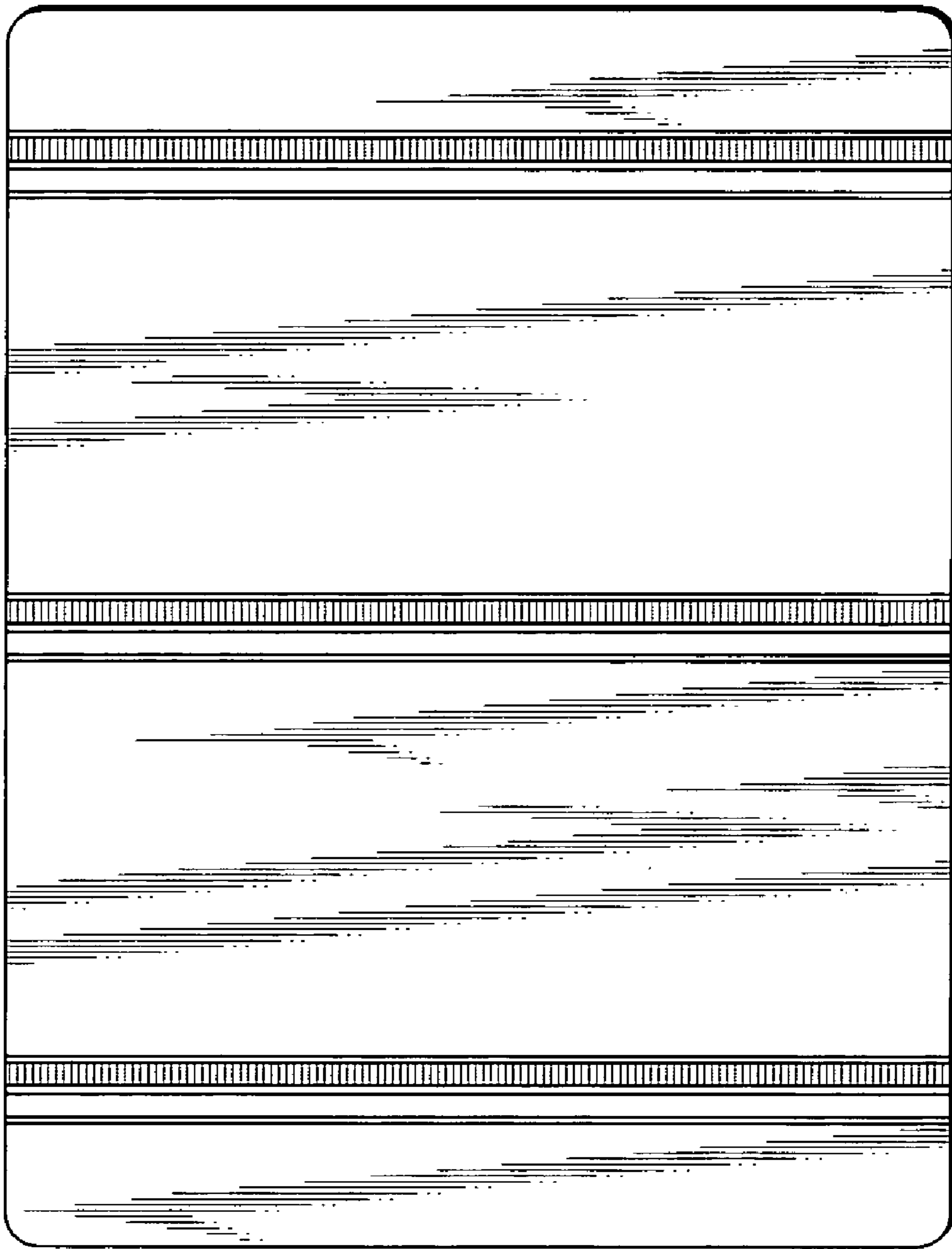


FIG. 4



*FIG. 2*