



US00D584586S

(12) **United States Design Patent**
Lawrence et al.

(10) **Patent No.:** **US D584,586 S**
(45) **Date of Patent:** **** Jan. 13, 2009**

- (54) **SINGLE GROOVE CONCRETE JOINTER**
 - (75) Inventors: **David Lawrence**, Clever, MO (US);
Cassie Lawrence, Clever, MO (US)
 - (73) Assignee: **Lawrence Concrete, L.L.C.**, Clever,
MO (US)
 - (**) Term: **14 Years**
 - (21) Appl. No.: **29/307,363**
 - (22) Filed: **Apr. 16, 2008**
 - (51) **LOC (9) Cl.** **08-05**
 - (52) **U.S. Cl.** **D8/45**
 - (58) **Field of Classification Search** D8/14,
D8/45, 16; 15/235.4, 235.5, 235.6, 235.7,
15/235.8; 404/89, 93, 97
- See application file for complete search history.

- (56) **References Cited**
- U.S. PATENT DOCUMENTS
- 761,242 A * 5/1904 Meyers 15/235.7
 - 1,445,229 A 2/1923 Miller
 - 3,758,909 A * 9/1973 Granger, Jr. 15/235.8
 - 3,806,268 A * 4/1974 Francis 404/89
 - 3,936,209 A 2/1976 Krage
 - 3,936,210 A 2/1976 Oehlerking
 - 3,954,359 A 5/1976 Larkin
 - 3,998,564 A 12/1976 Serlin
 - 4,032,249 A 6/1977 DeVitis
 - 4,070,128 A 1/1978 Garrison
 - 4,073,592 A 2/1978 Godberson
 - 4,090,800 A 5/1978 Koch
 - 4,097,173 A 6/1978 Tout
 - 4,171,849 A 10/1979 Jacobson et al.
 - 4,198,176 A 4/1980 Bentz
 - 4,224,274 A 9/1980 Ozawa
 - 4,231,677 A 11/1980 Roming
 - 4,253,816 A 3/1981 Tobias et al.
 - 4,299,513 A 11/1981 Stegmeier
 - 4,397,581 A * 8/1983 Jarvis 404/97
 - 4,516,875 A 5/1985 Turner
 - 4,743,140 A 5/1988 Maletic
 - 4,776,723 A 10/1988 Brimo
 - 4,822,209 A 4/1989 Dragich
 - 4,838,728 A 6/1989 McKeever
 - 4,867,602 A 9/1989 Courtoise

- 5,058,350 A 10/1991 Mochiki et al.
- 5,061,172 A 10/1991 Fennessy
- 5,073,062 A 12/1991 Leone
- 5,092,091 A 3/1992 Hull
- 5,135,332 A 8/1992 Hellwig et al.
- 5,160,748 A 11/1992 Gauuan
- D333,245 S * 2/1993 Griggs D8/45
- 5,236,277 A 8/1993 Hybertson
- 5,249,886 A 10/1993 Huerta
- 5,468,094 A 11/1995 Vanderpan
- 5,487,526 A 1/1996 Hupp
- 5,487,656 A 1/1996 Kaitanjian
- 5,632,569 A 5/1997 Szmansky
- 5,676,489 A 10/1997 Willhoite
- 5,956,912 A 9/1999 Carter et al.
- 6,113,308 A 9/2000 Johnson
- 6,138,318 A * 10/2000 Pyatt et al. 15/235.4
- 6,189,278 B1 2/2001 Stegmeier
- 7,001,103 B2 2/2006 Sippola
- 7,003,921 B2 2/2006 Hisano
- 7,010,828 B1 * 3/2006 Flores et al. 15/235.3
- 7,080,955 B2 7/2006 Gregg
- 7,228,666 B2 6/2007 Michiels

* cited by examiner

Primary Examiner—Philip S Hyder
(74) *Attorney, Agent, or Firm*—Mark Murphey Henry;
Nathan Price Chaney

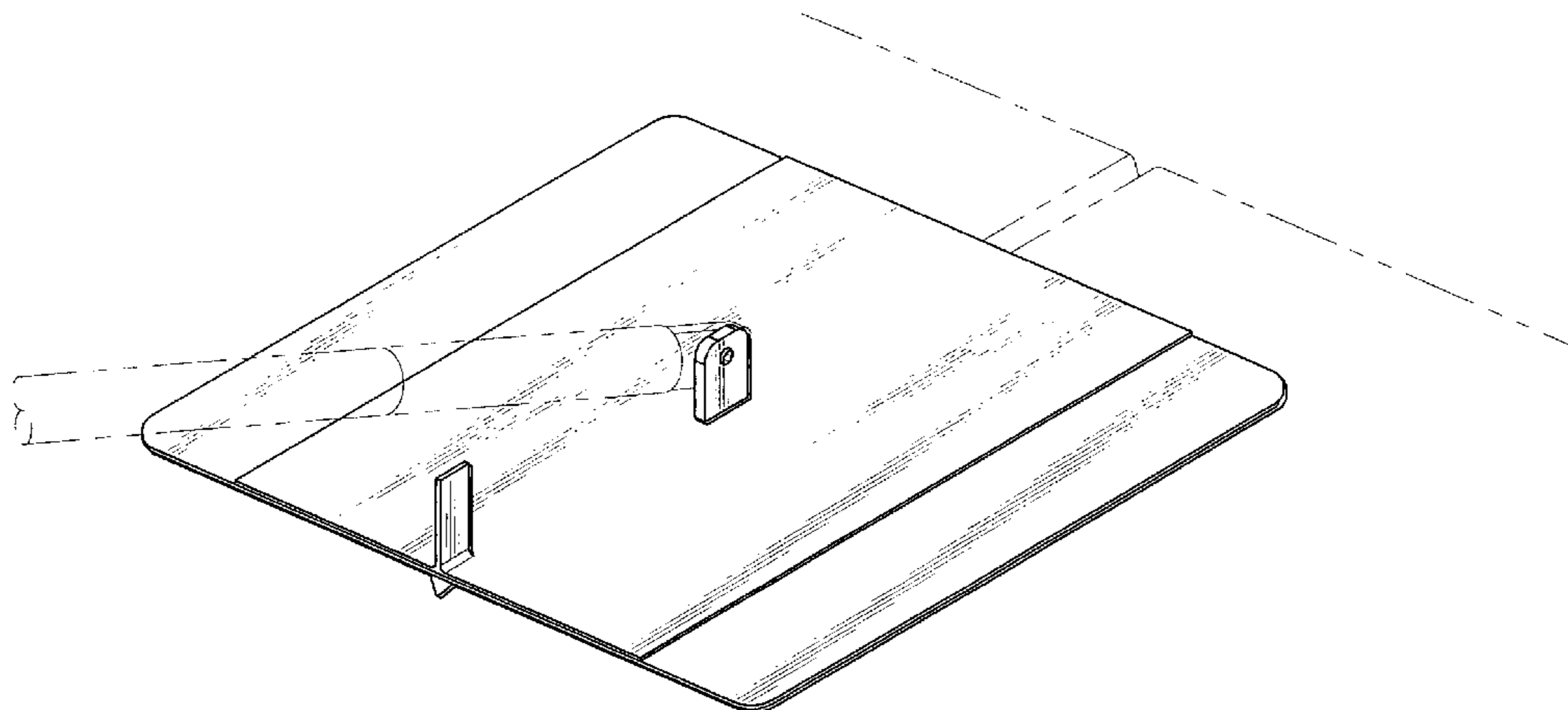
(57) **CLAIM**

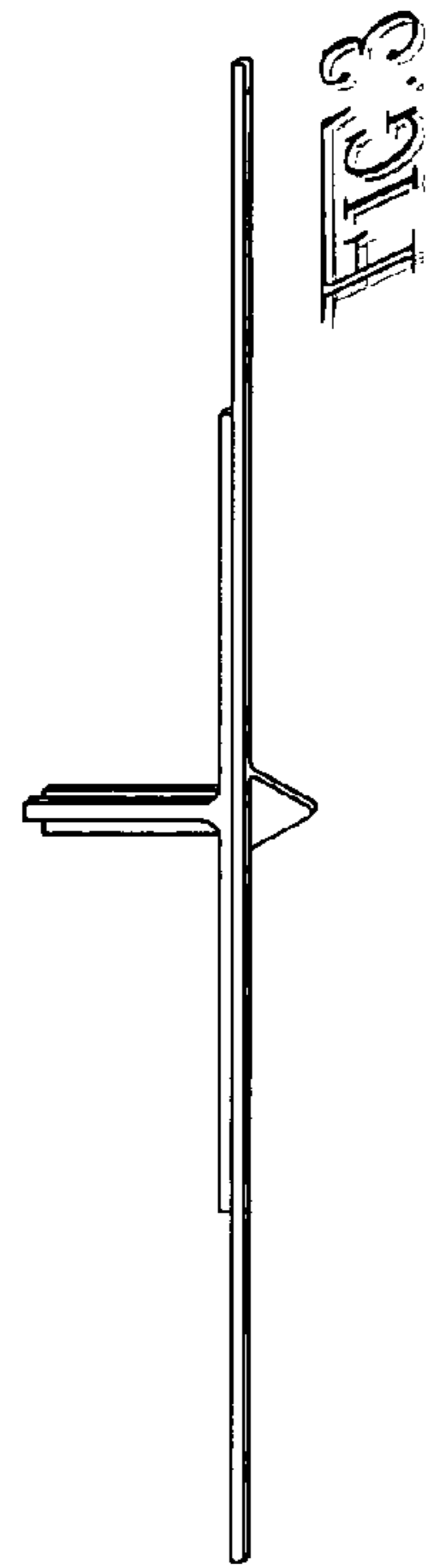
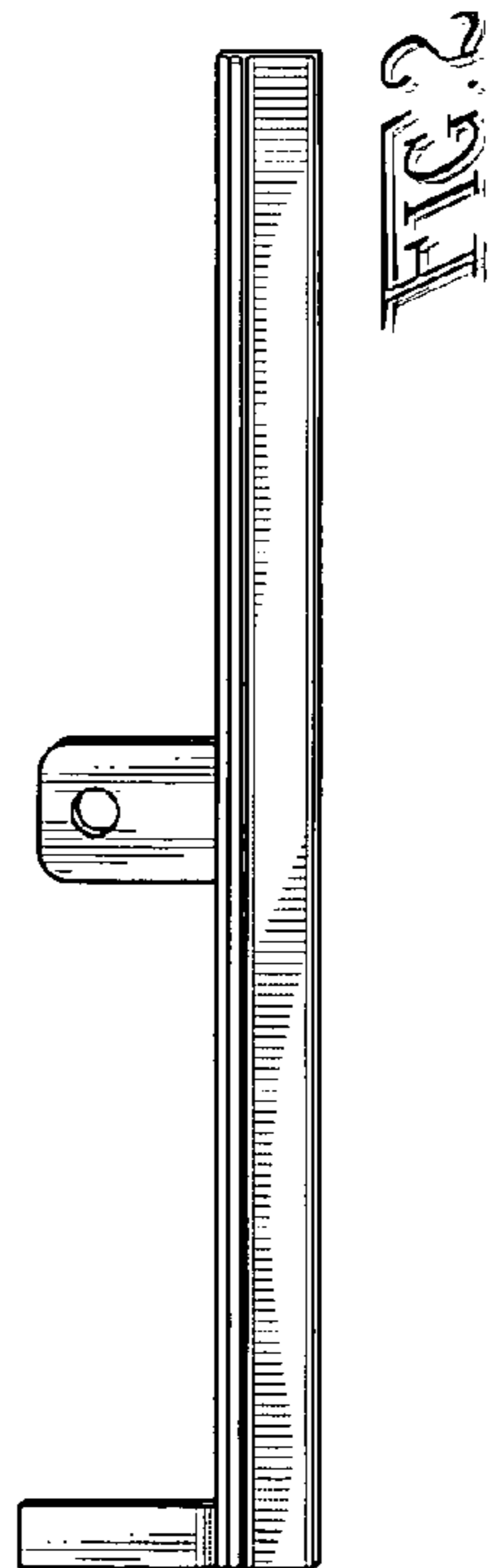
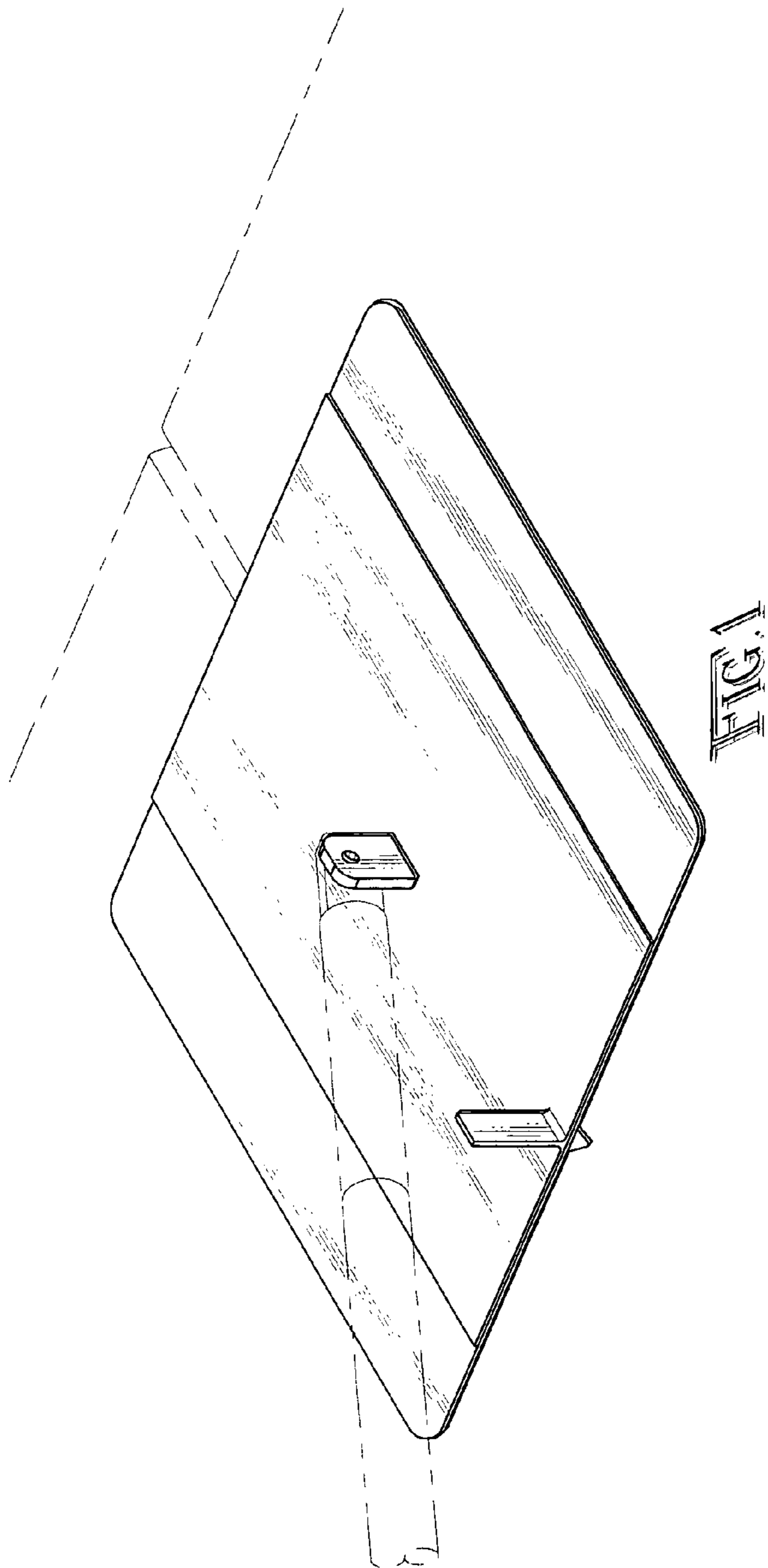
The ornamental design of a single groove concrete jointer, as shown and described.

DESCRIPTION

FIG. 1 is a perspective view of the single groove concrete jointer of the invention.
FIG. 2 is a side view of the single groove concrete jointer.
FIG. 3 is a front view of the single groove concrete jointer.
FIG. 4 is a top view of the single groove concrete jointer; and,
FIG. 5 is a bottom view of the single groove concrete jointer.
The broken line portions of FIG. 1 are included for purposes of environment and form no part of the claimed design.

1 Claim, 3 Drawing Sheets





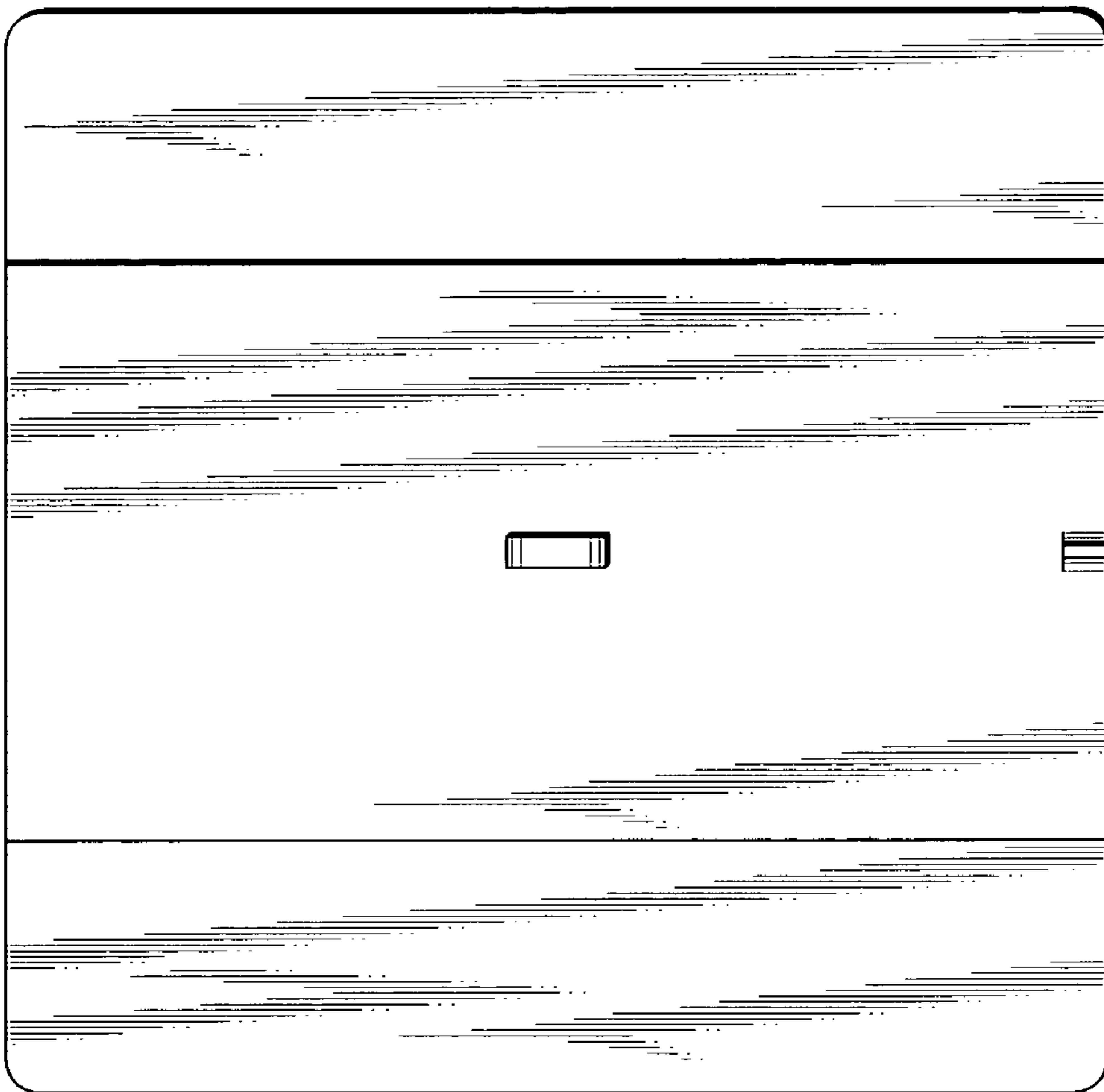


FIG. 4

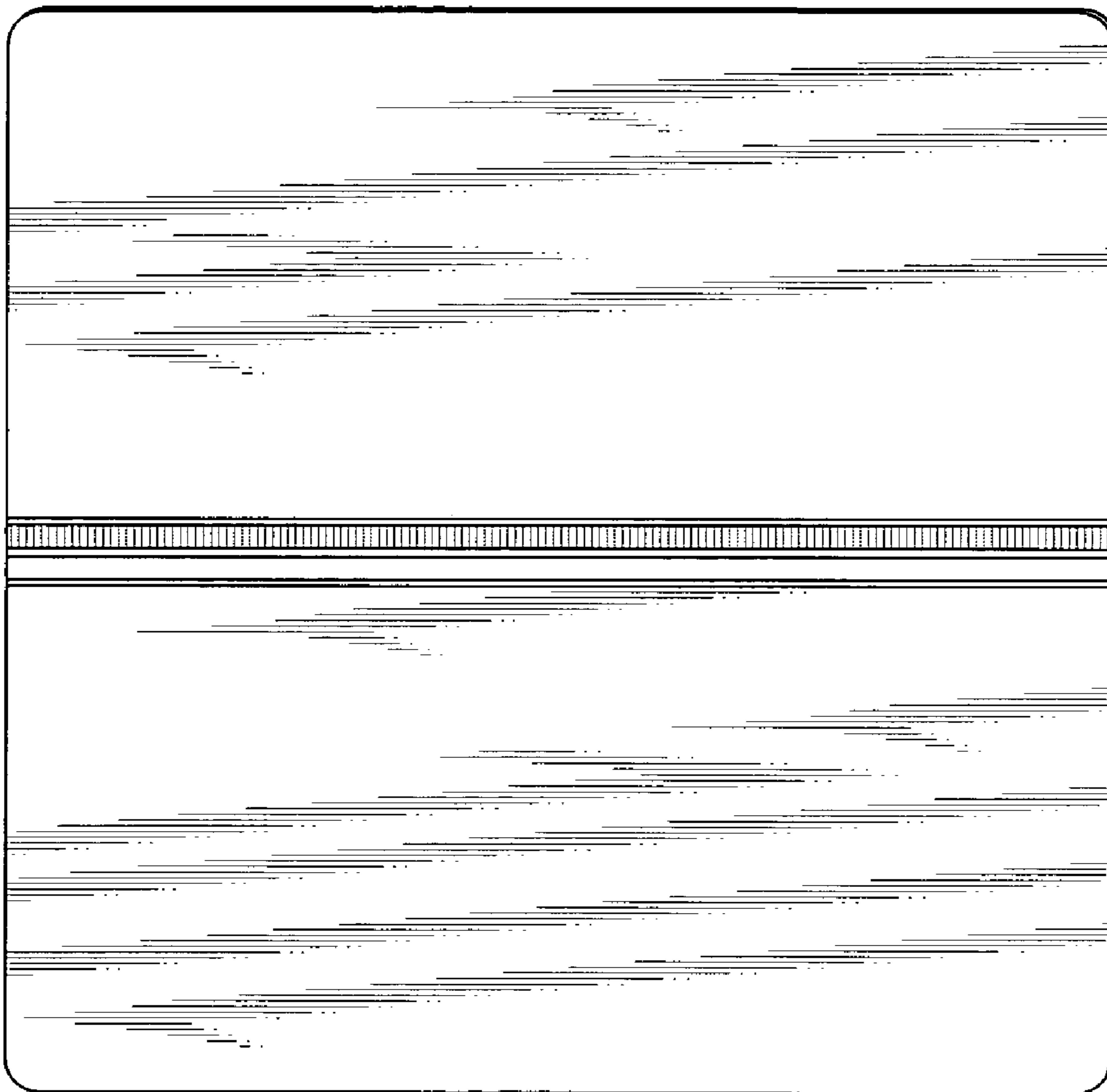


FIG. 3