



US00D584585S

(12) **United States Design Patent**
Juelch et al.

(10) **Patent No.:** **US D584,585 S**
(45) **Date of Patent:** **** Jan. 13, 2009**

(54) **WRENCH**

(76) Inventors: **George Juelch**, P.O. Box 102, Wallace, CA (US) 95254; **Aaron Ayers**, P.O. Box 102, Wallace, CA (US) 95254; **Rodney Cordero**, P.O. Box 102, Wallace, CA (US) 95254; **Parry Ray**, P.O. Box 102, Wallace, CA (US) 95254

(**) Term: **14 Years**

(21) Appl. No.: **29/310,242**

(22) Filed: **Aug. 6, 2008**

(51) **LOC (9) Cl.** **08-05**

(52) **U.S. Cl.** **D8/28**

(58) **Field of Classification Search** D8/17, D8/21-29, 105, 52, 55, 81-87, 102-107, D8/98, 99, 93, 94; 81/119, 121.1, 86, 124.2, 81/125, 125.1, 176.1, 176.2, 177.2, 177.3, 81/177.85, 124.3, 124.7, 176.3, 160, 179, 81/3.57, 3.55, 58.4, 186, 58.3, 300, 58.1, 81/60-63.2, 165-170, 110.1, 124.6, 176.15, 81/121.7, 436, 437, 418, 177.8, 177.9, 185.1, 81/3.4, 177.4, 492, 57, 58, 13, 177.7, 490, 81/415-423, 427.5, 177.1, 488, 489; 140/119; 16/422, 186, 429

See application file for complete search history.

(56) **References Cited**

U.S. PATENT DOCUMENTS

3,318,176 A * 5/1967 Geier, Jr. 81/175

D252,907 S * 9/1979 Poll D8/27
D263,674 S * 4/1982 Ebert D8/27
4,408,505 A * 10/1983 Cook 81/98
4,864,898 A * 9/1989 Tricinella 81/3.09
5,069,090 A * 12/1991 Clark 81/3.09
6,202,515 B1 * 3/2001 Denton 81/177.1
D464,239 S * 10/2002 Hamlin D8/27
2005/0150332 A1 * 7/2005 Russell 81/125.1

* cited by examiner

Primary Examiner—Raphael Barkai
Assistant Examiner—Randall H Gholson

(57) **CLAIM**

The ornamental design for a wrench, as shown and described.

DESCRIPTION

FIG. 1 is a front, bottom and side perspective view of a wrench showing our new design;

FIG. 2 is a top plan view;

FIG. 3 is a side elevational view;

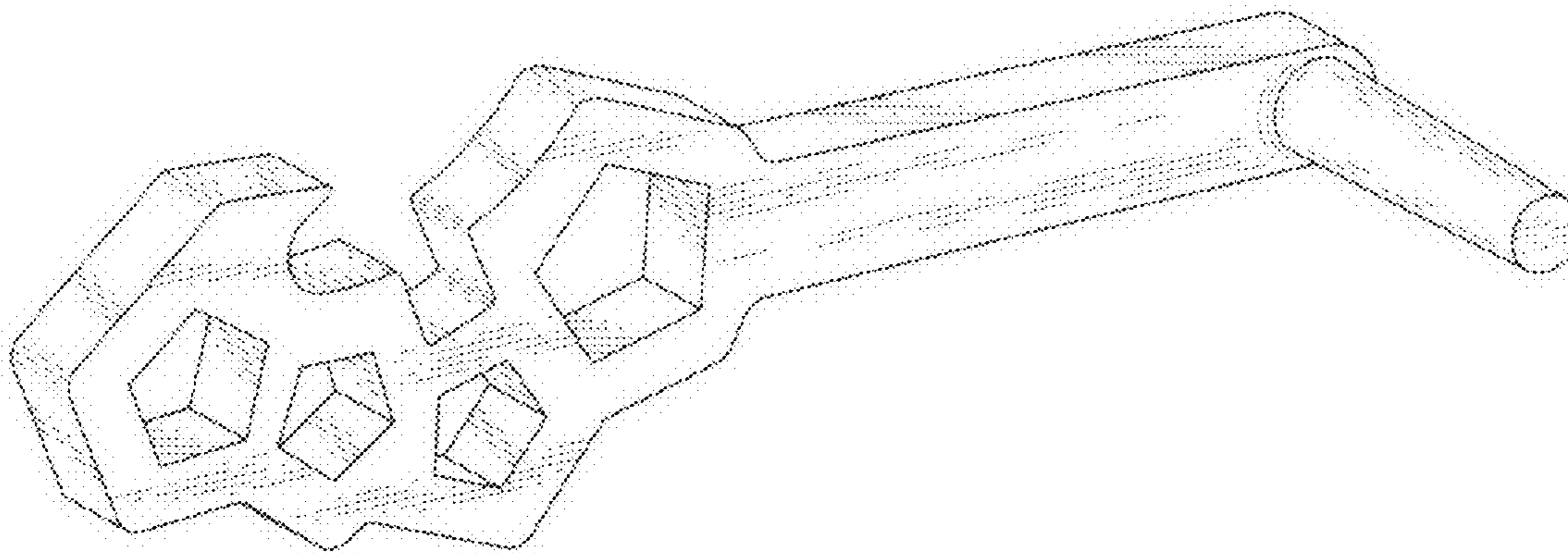
FIG. 4 is an elevational view of the other side;

FIG. 5 is a front elevational view;

FIG. 6 is a rear elevational view; and,

FIG. 7 is a bottom plan view.

1 Claim, 2 Drawing Sheets



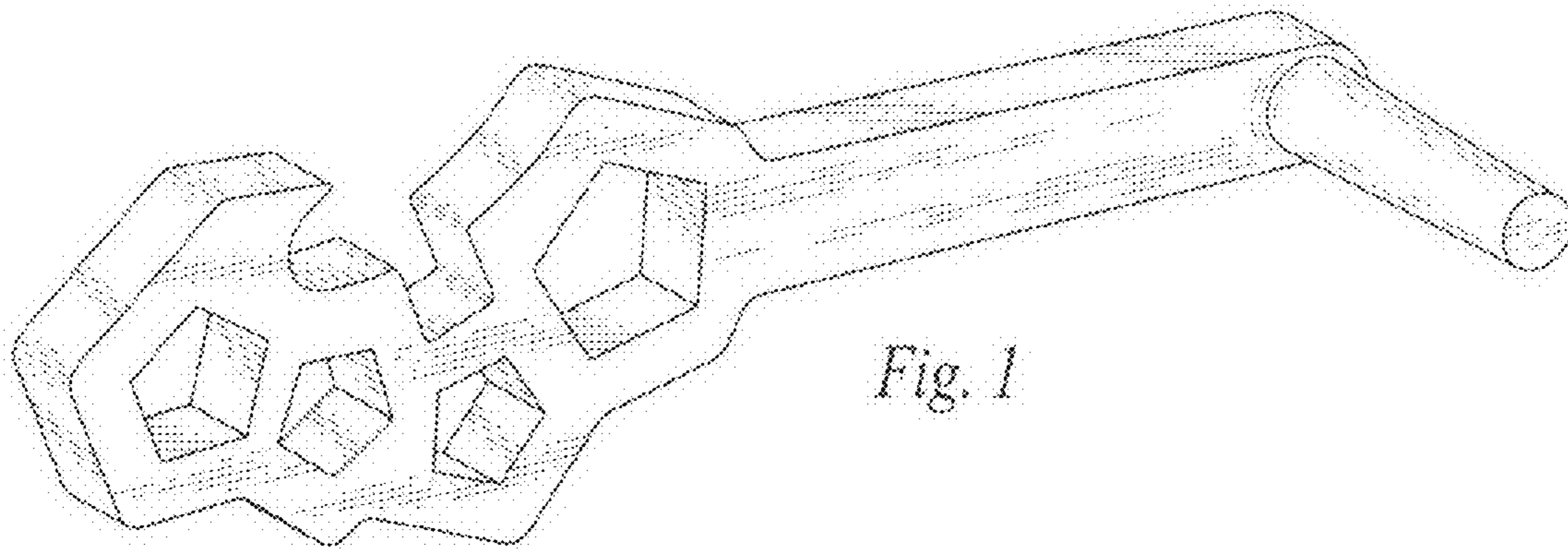


Fig. 1

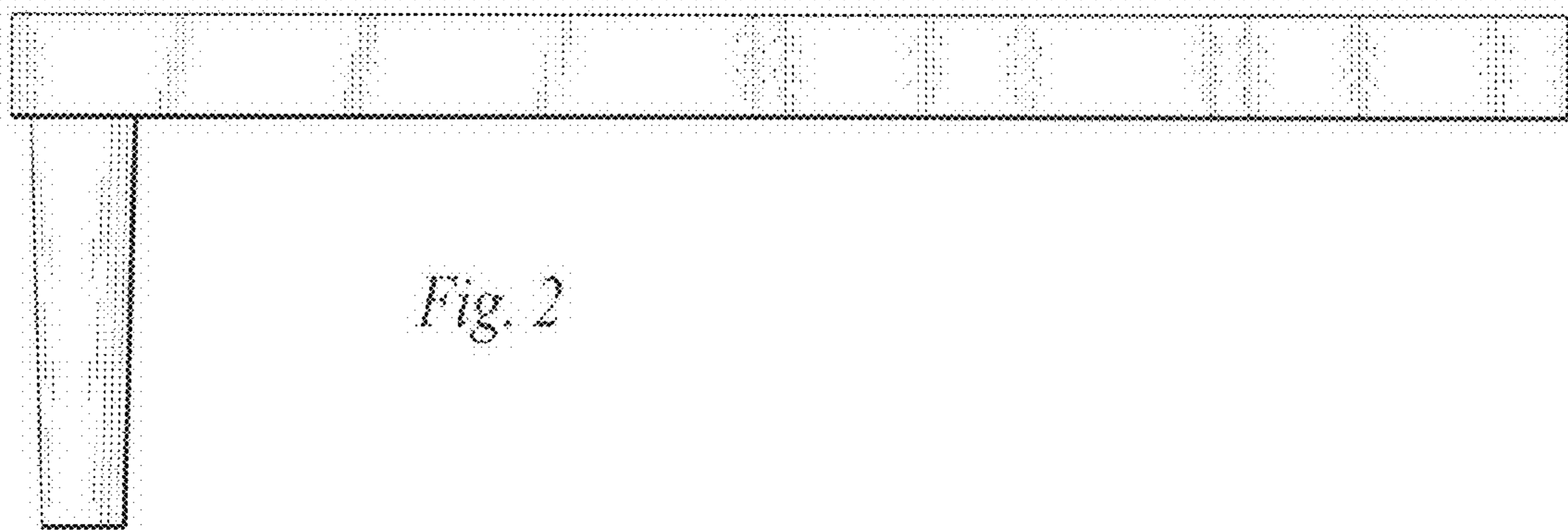


Fig. 2

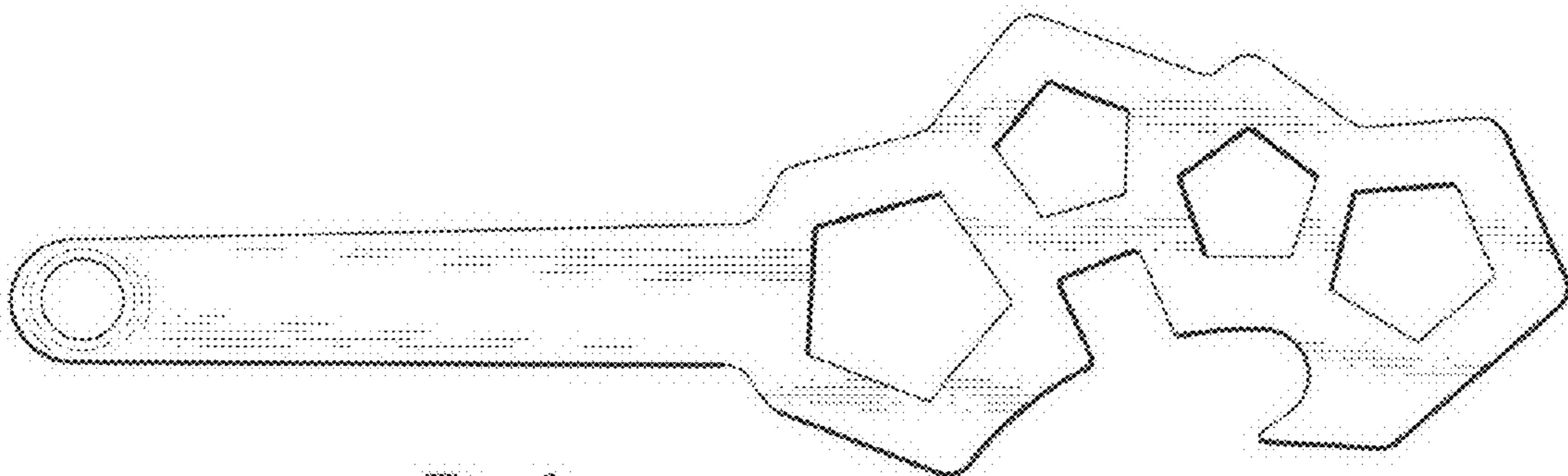


Fig. 3

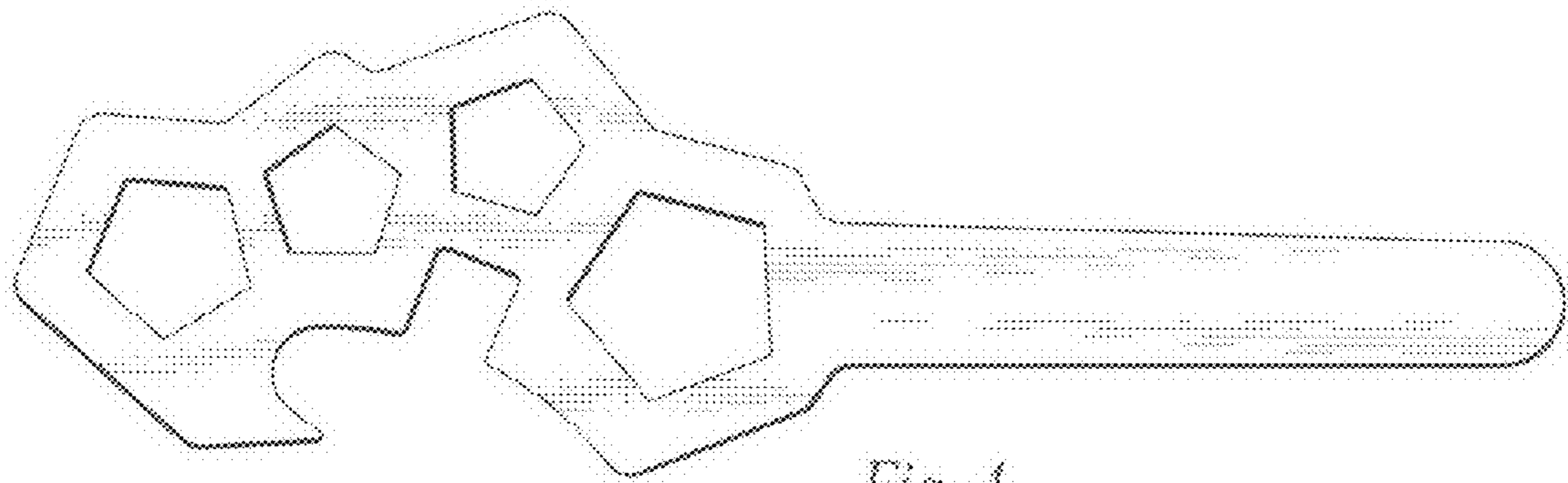


Fig. 4

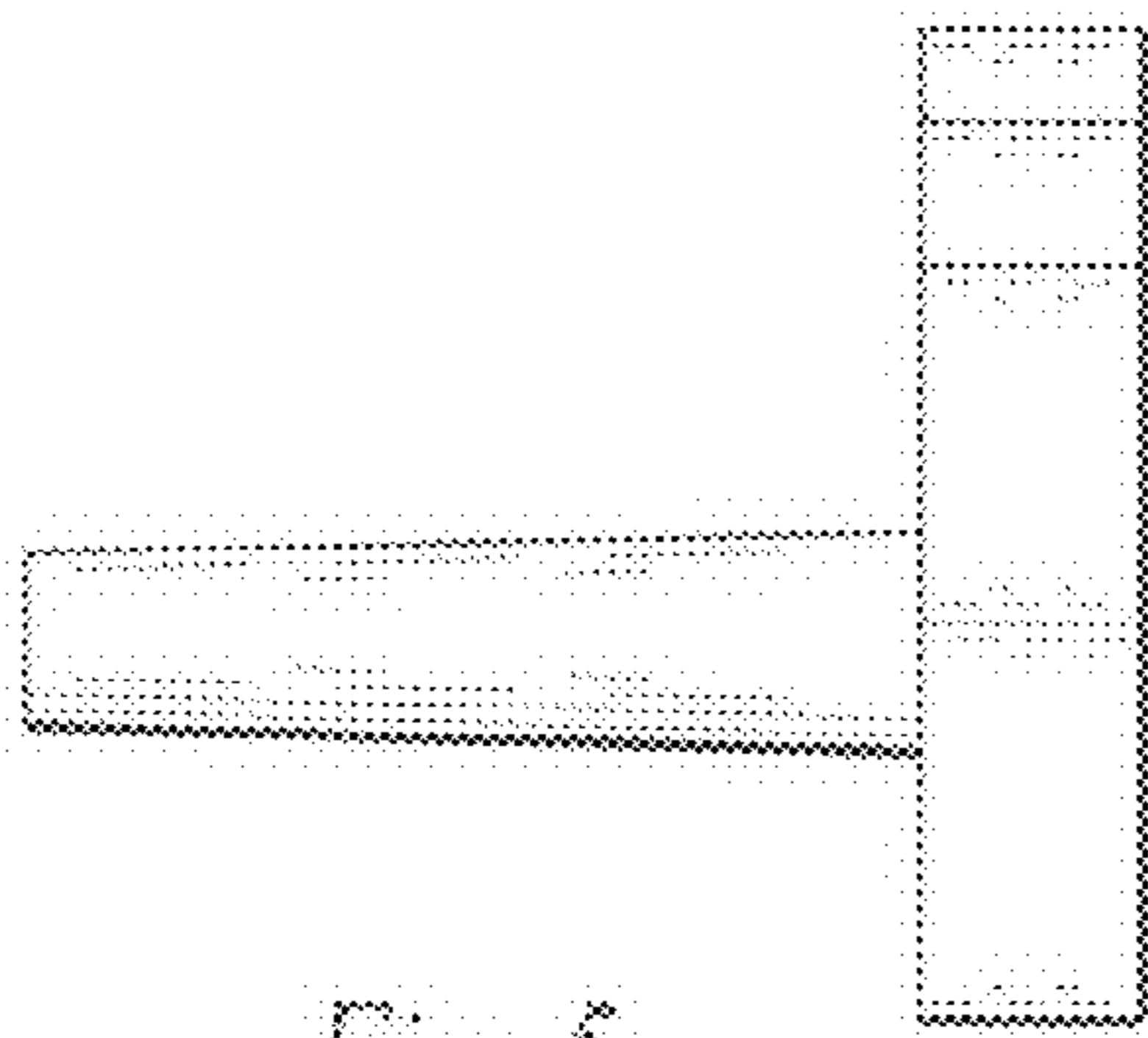


Fig. 5

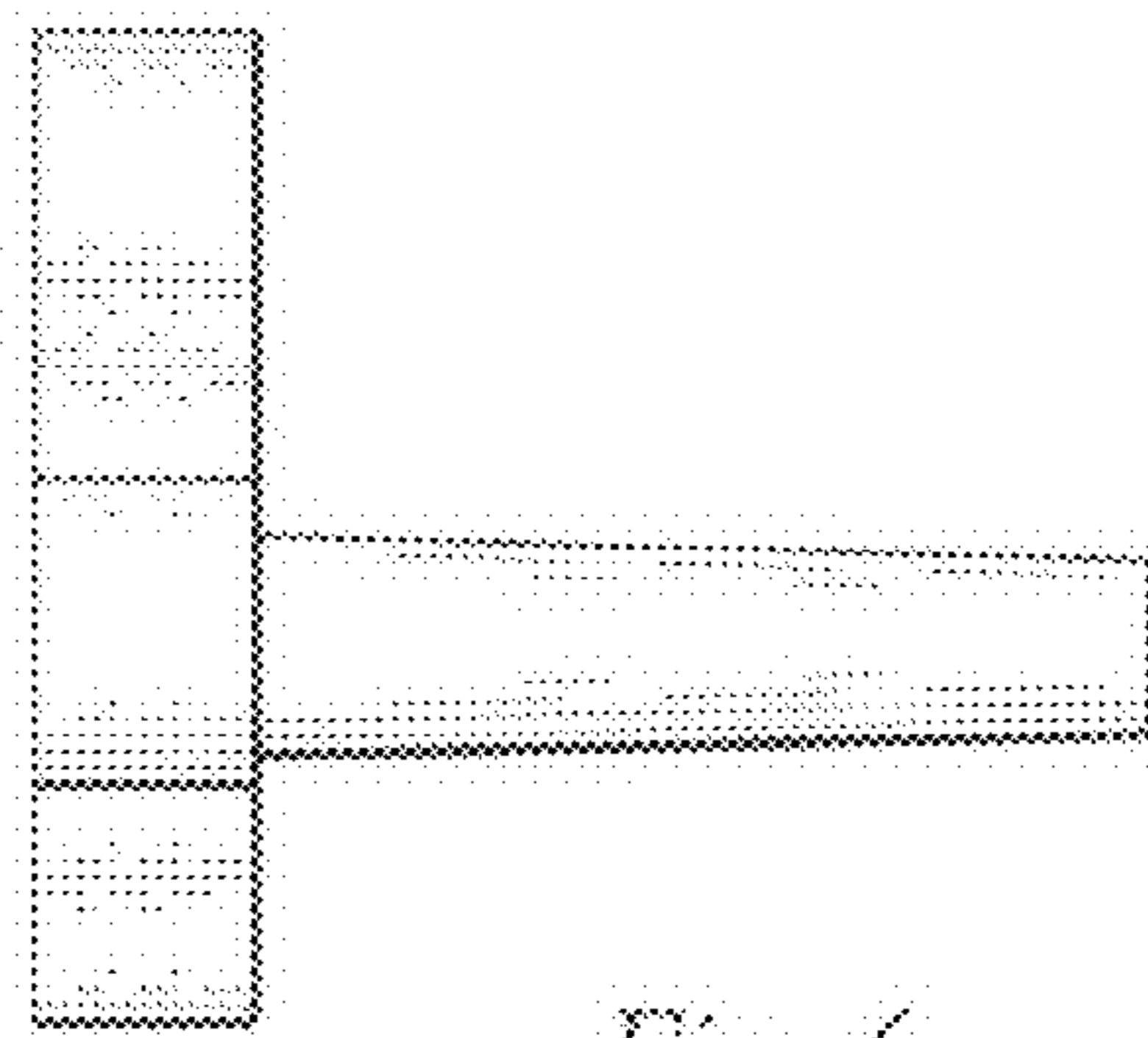


Fig. 6

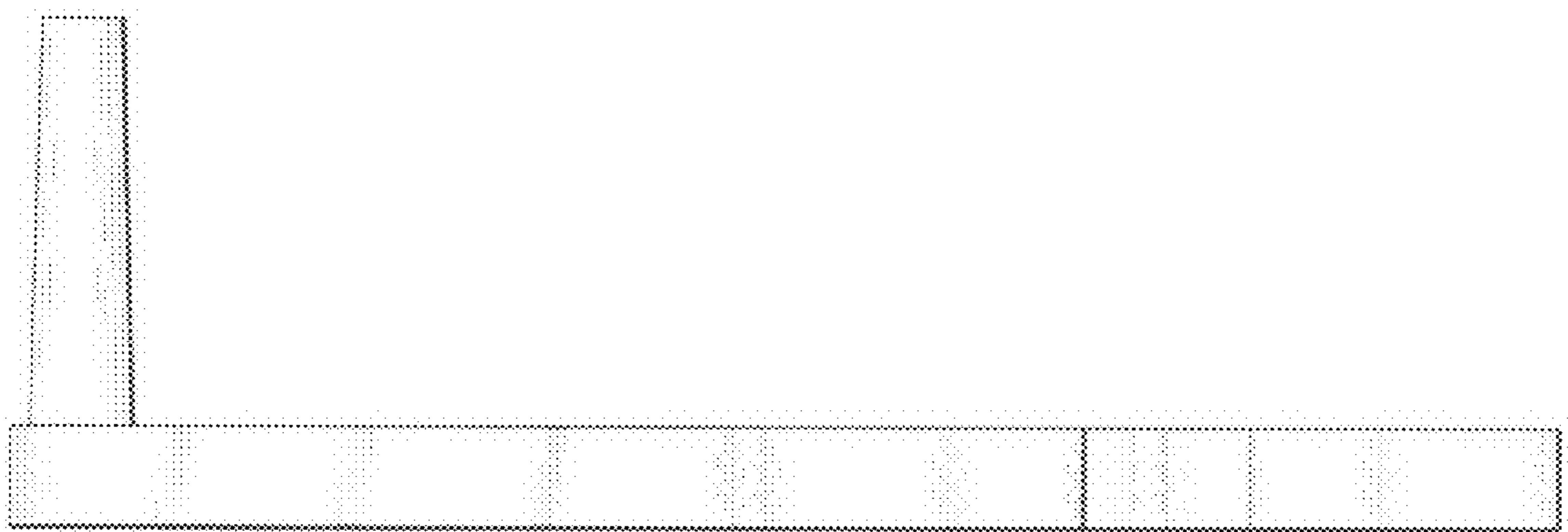


Fig. 7