



US00D584583S

(12) **United States Design Patent**
Burks

(10) **Patent No.:** **US D584,583 S**
(45) **Date of Patent:** **** Jan. 13, 2009**

(54) **MANURE FORK HEAD**
(75) Inventor: **Daniel Burks**, Shelbyville, TN (US)
(73) Assignee: **Stallbooger Aluminum Pitchforks, LLC**, Shelbyville, TN (US)
(**) Term: **14 Years**
(21) Appl. No.: **29/302,194**
(22) Filed: **Jan. 11, 2008**

6,474,267 B1 11/2002 Padgett
6,494,514 B1 * 12/2002 Stinnett et al. 294/59
7,044,520 B2 5/2006 Roberson et al.
7,222,899 B1 * 5/2007 Berto 294/55.5
7,222,900 B1 5/2007 Berto
D568,699 S * 5/2008 Rechis D8/13
2008/0042457 A1 * 2/2008 Berto 294/55.5

* cited by examiner

Primary Examiner—Holly H Baynham
Assistant Examiner—Sheryl Lane
(74) *Attorney, Agent, or Firm*—Cahn & Samuels, LLP

(51) **LOC (9) Cl.** **08-01**
(52) **U.S. Cl.** **D8/13**
(58) **Field of Classification Search** D8/13;
D30/162; 294/1.3, 1.4, 55, 55.5, 99, 50,
294/52; 119/795, 858, 101
See application file for complete search history.

(57) **CLAIM**

The ornamental design for a manure fork head, as shown and described.

DESCRIPTION

FIG. 1 is an elevated perspective view of a manure fork head according to the invention.

FIG. 2 is a top view of the manure fork head according to FIG. 1.

FIG. 3 is bottom view of the manure fork head according to FIG. 1.

FIG. 4 is a front view of the manure fork head according to FIG. 1.

FIG. 5 is a rear view of the manure fork head according to FIG. 1; and,

FIG. 6 is a side view of the manure fork head according to FIG. 1.

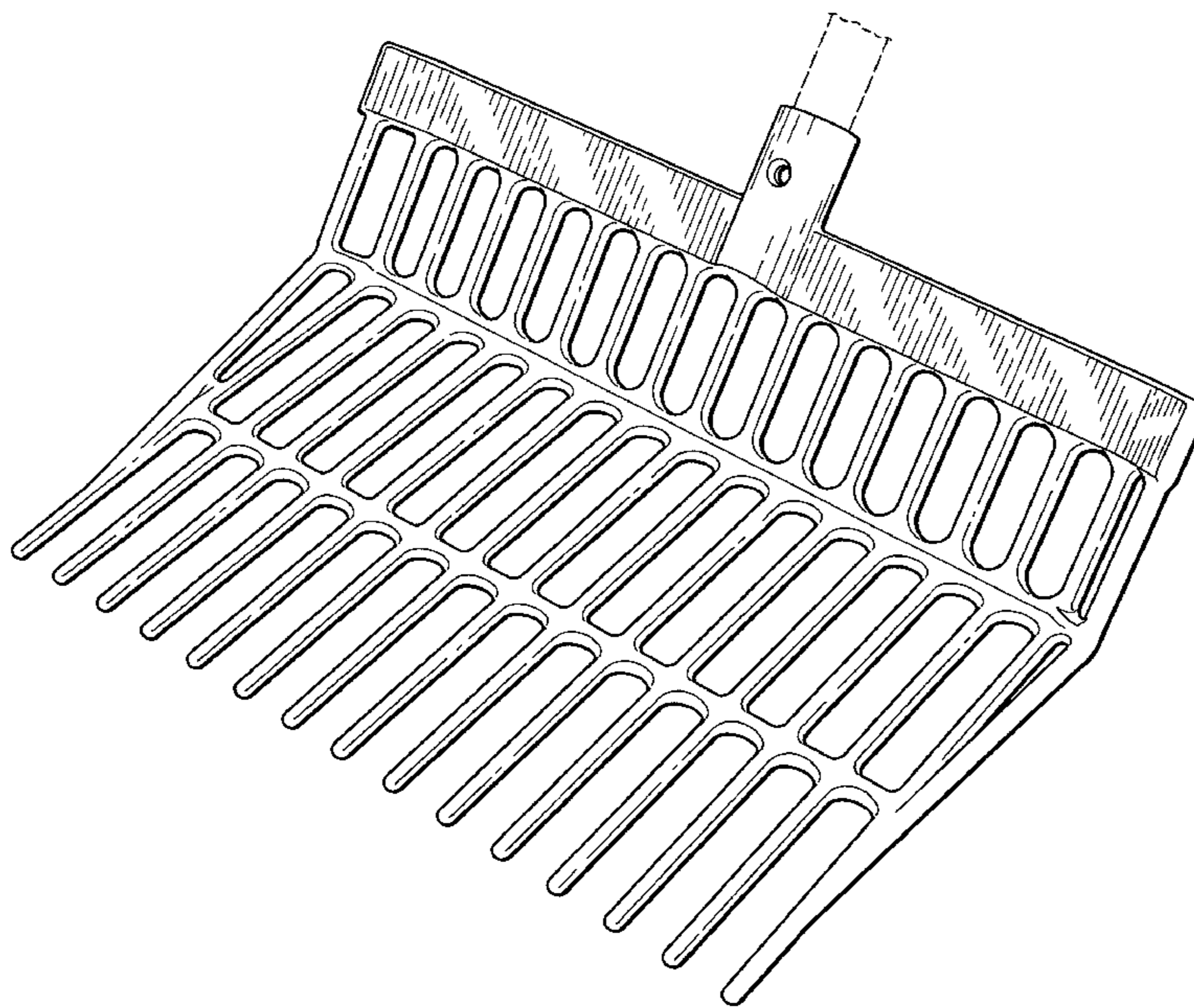
The broken line showing of the handle is included for the purpose of illustrating environment and forms no part of the claimed design.

(56) **References Cited**

U.S. PATENT DOCUMENTS

530,892 A	12/1894	Fuller	
929,479 A	7/1909	Parker	
1,267,778 A	5/1918	Leen	
1,442,671 A	1/1923	Krehbiel	
2,537,365 A	1/1951	Montavon	
D292,261 S *	10/1987	Mitton	D8/13
D312,030 S	11/1990	Brignull	
5,417,044 A	5/1995	Russo	
5,562,318 A *	10/1996	McBroom	294/1.4
5,799,998 A	9/1998	Gitterman	
D403,133 S	12/1998	Bowell et al.	
D406,413 S	3/1999	Russo	
D418,726 S	1/2000	White	
D427,392 S	6/2000	Mousser	
D448,259 S *	9/2001	Janke	D8/13
D456,676 S *	5/2002	Sunila et al.	D8/13
D463,075 S	9/2002	Padgett	

1 Claim, 4 Drawing Sheets



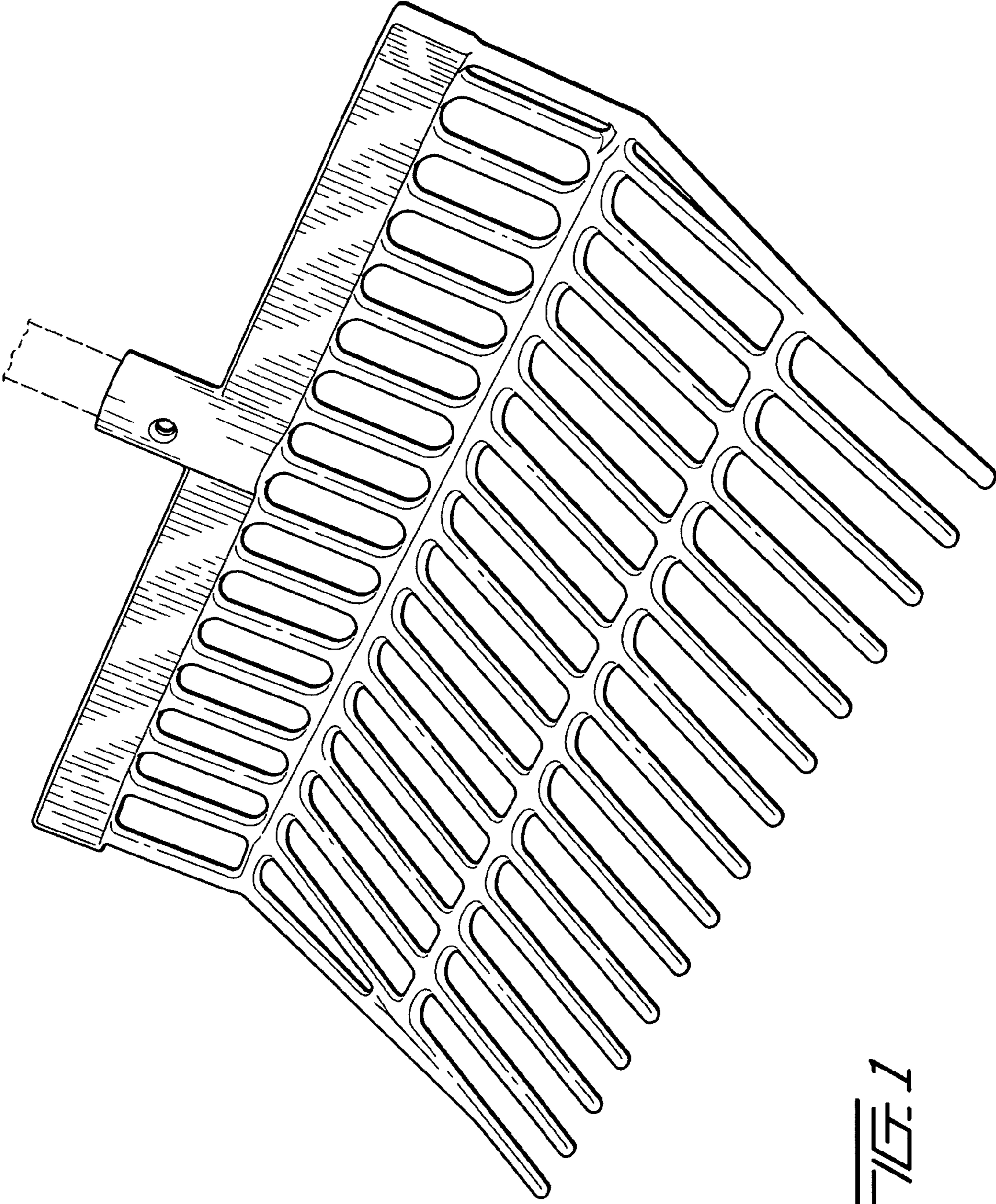


FIG. 1

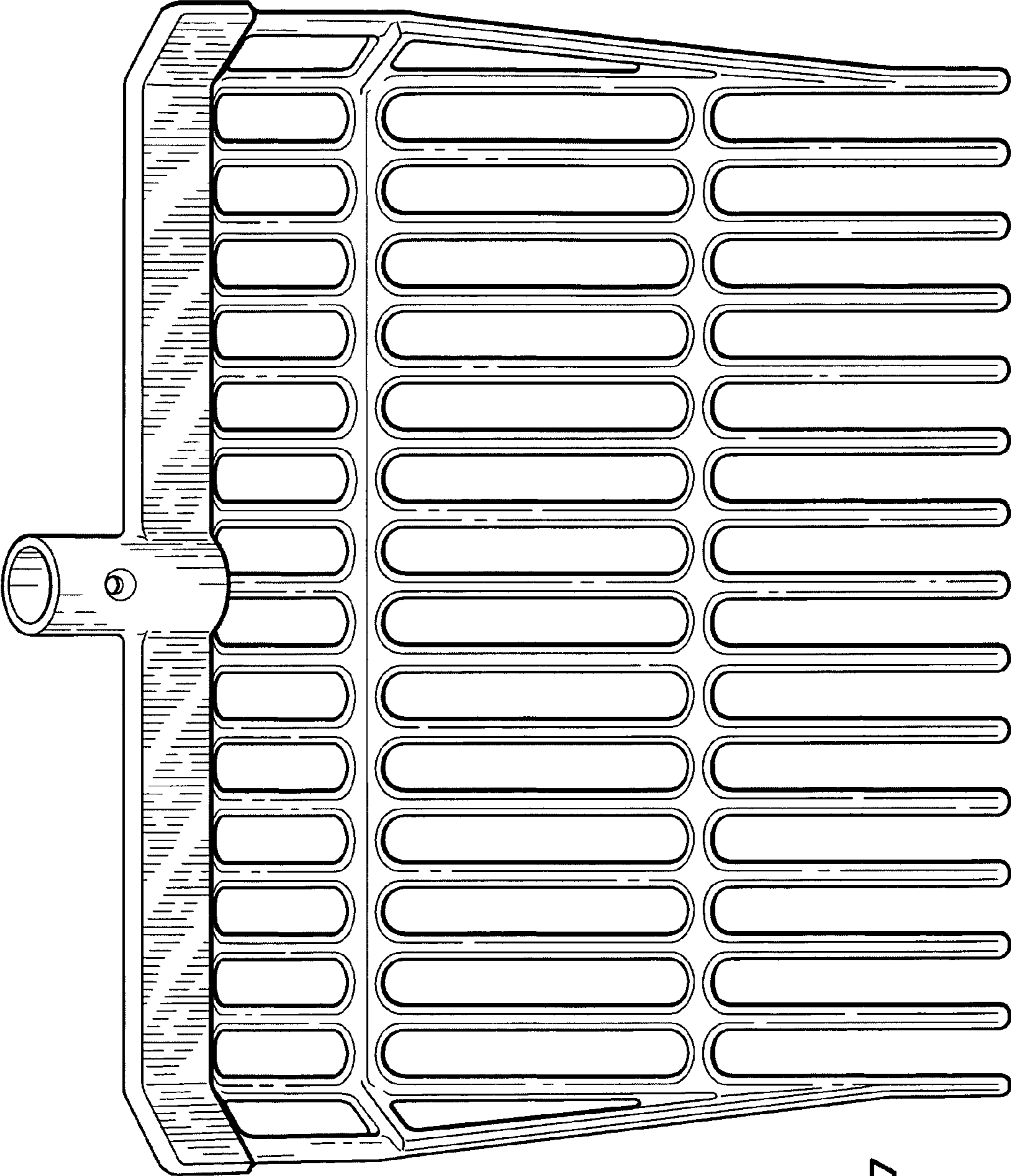


FIG. 2

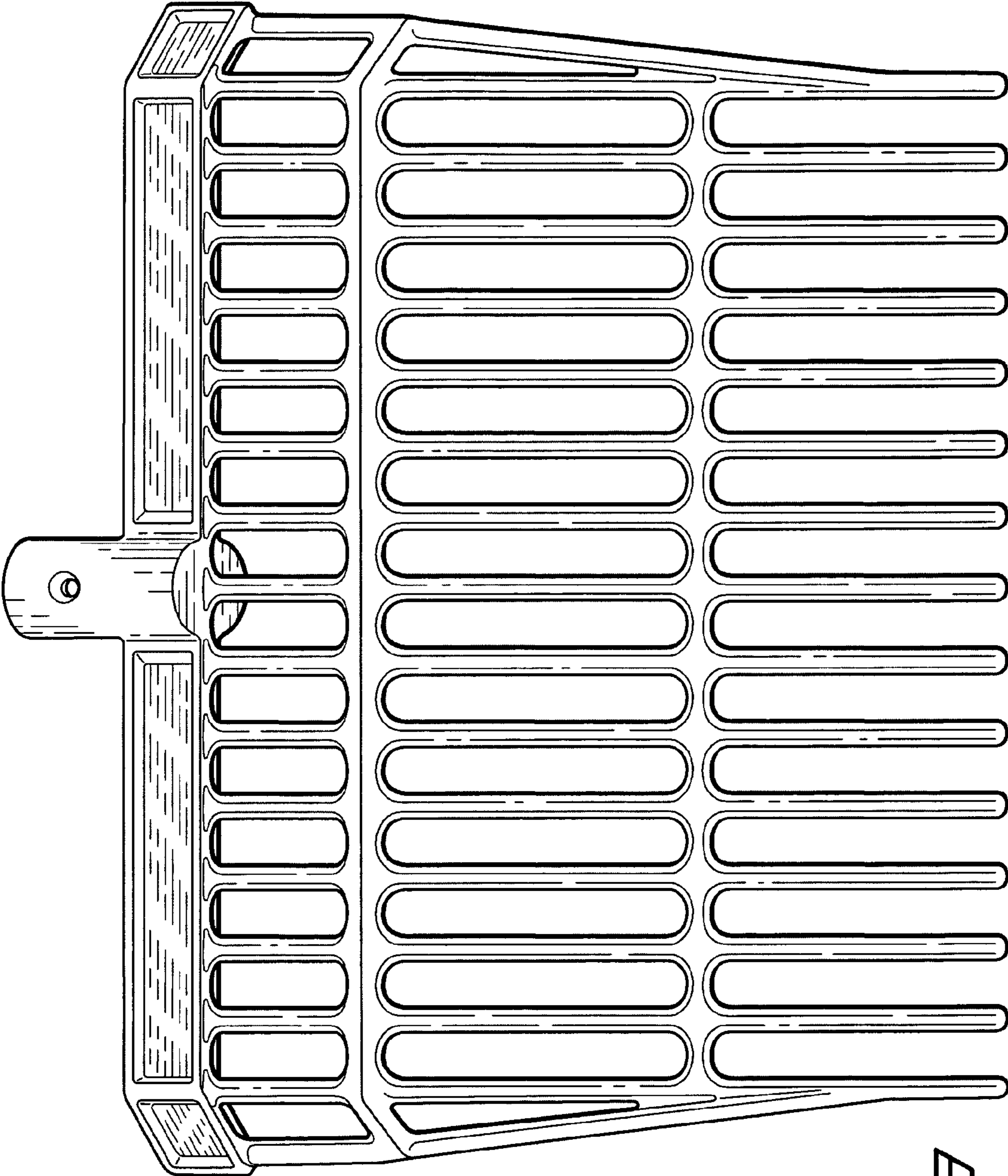


FIG. 3

FIG. 4

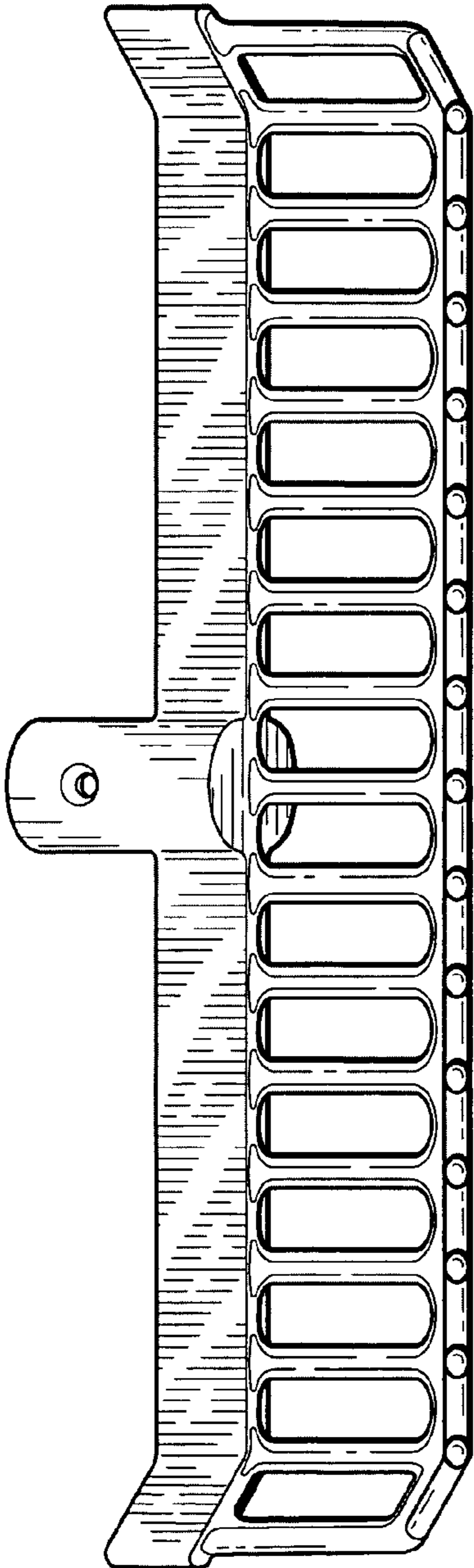


FIG. 5

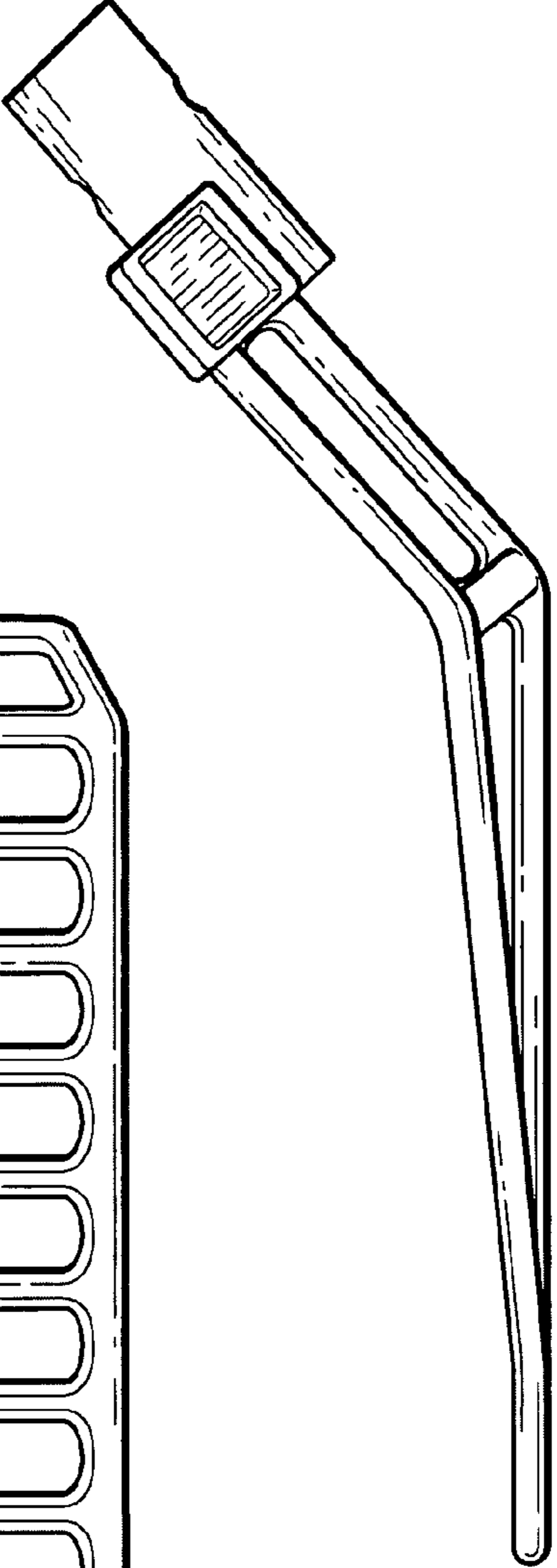
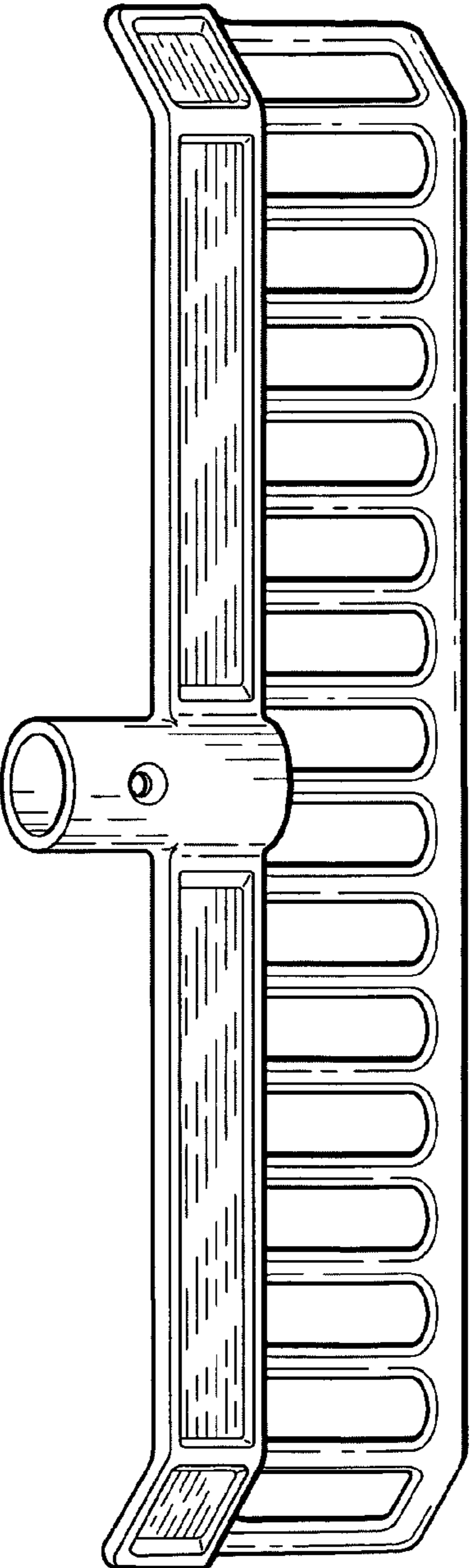


FIG. 6