



US00D584581S

(12) **United States Design Patent**
Bradford

(10) **Patent No.:** **US D584,581 S**
(45) **Date of Patent:** **** Jan. 13, 2009**

(54) **GUARD FOR A STRING TRIMMER**

2004/0148783 A1* 8/2004 Cashman et al. 30/276

(75) Inventor: **Scott Bradford**, Kilwinning (GB)

* cited by examiner

(73) Assignee: **Black & Decker Inc.**, Newark, DE (US)

Primary Examiner—Holly H Baynham

Assistant Examiner—Sheryl Lane

(**) Term: **14 Years**

(74) *Attorney, Agent, or Firm*—John Yun; Bruce S. Shapiro; Wesley Muller

(21) Appl. No.: **29/292,804**

(57) **CLAIM**

(22) Filed: **Oct. 29, 2007**

The ornamental design for a guard for a string trimmer, as shown and described.

(30) **Foreign Application Priority Data**

DESCRIPTION

May 4, 2007 (EM) 000717780

(51) **LOC (9) Cl.** **08-01**

FIG. 1 is a front perspective view of a guard for a string trimmer showing my new design.

(52) **U.S. Cl.** **D8/8**

FIG. 2 is a rear perspective view of a guard for the string trimmer of FIG. 1.

(58) **Field of Classification Search** D8/8,
D8/9; 30/276, 122; 56/12.7, 12.1, 1; 172/13,
172/14

FIG. 3 is a left side perspective view of a guard for the string trimmer of FIG. 1.

See application file for complete search history.

FIG. 4 is a right side perspective view of a guard for the string trimmer of FIG. 1.

(56) **References Cited**

FIG. 5 is a top perspective view of a guard for the string trimmer of FIG. 1.

U.S. PATENT DOCUMENTS

FIG. 6 is a bottom perspective view of a guard for the string trimmer of FIG. 1; and,

4,200,978 A * 5/1980 Irelan et al. 30/276

FIG. 7 is an alternative bottom perspective view of a guard for the string trimmer of FIG. 1.

5,584,348 A * 12/1996 Butler 172/13

D382,779 S * 8/1997 Meisner et al. D8/8

D382,780 S * 8/1997 Meisner et al. D8/8

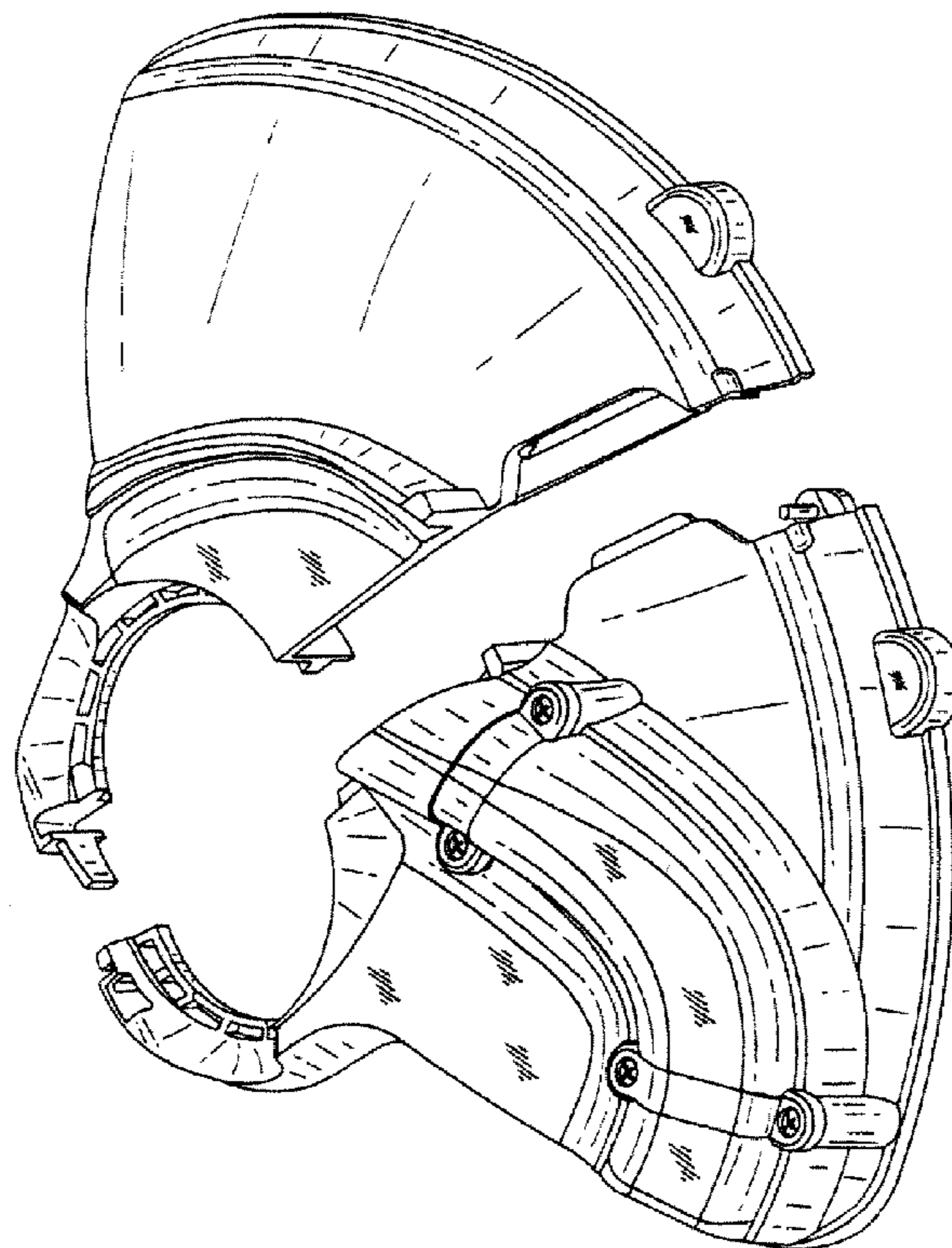
D463,230 S * 9/2002 Robson D8/8

D481,596 S * 11/2003 Van Wambeke et al. D8/8

6,941,738 B1 * 9/2005 Standish 56/12.7

2004/0020060 A1 * 2/2004 Peterson 30/276

1 Claim, 7 Drawing Sheets



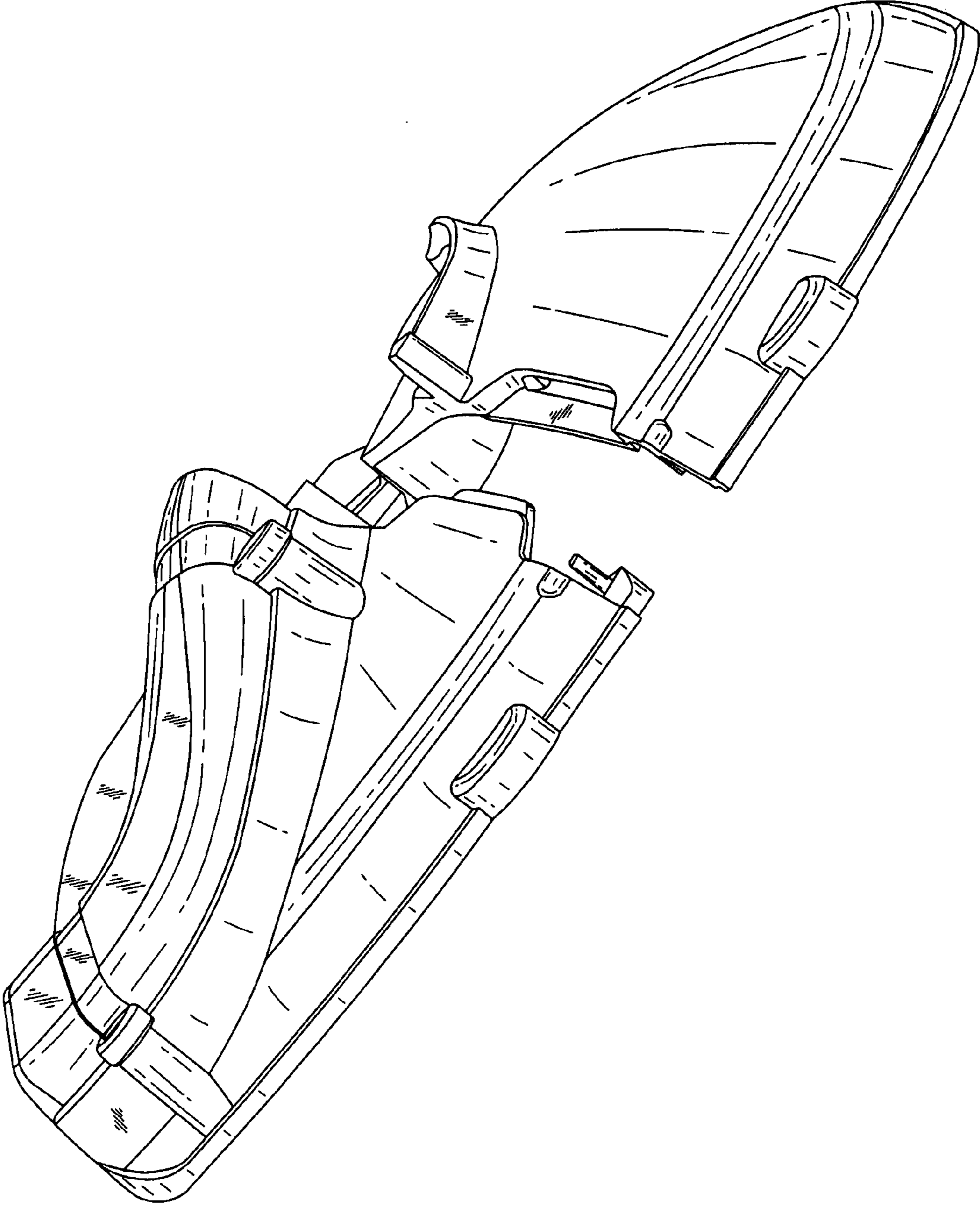


FIG. 1

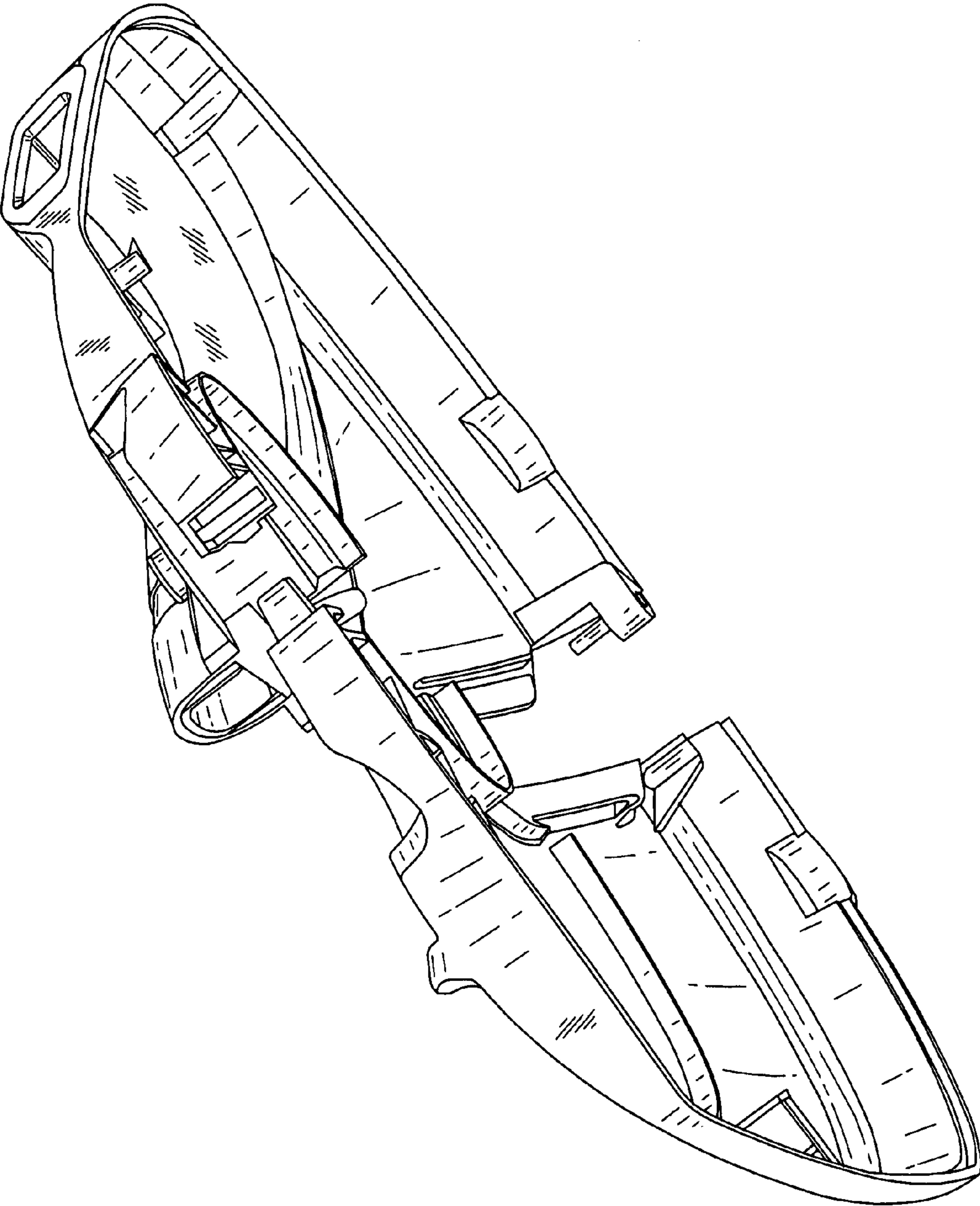


FIG.2

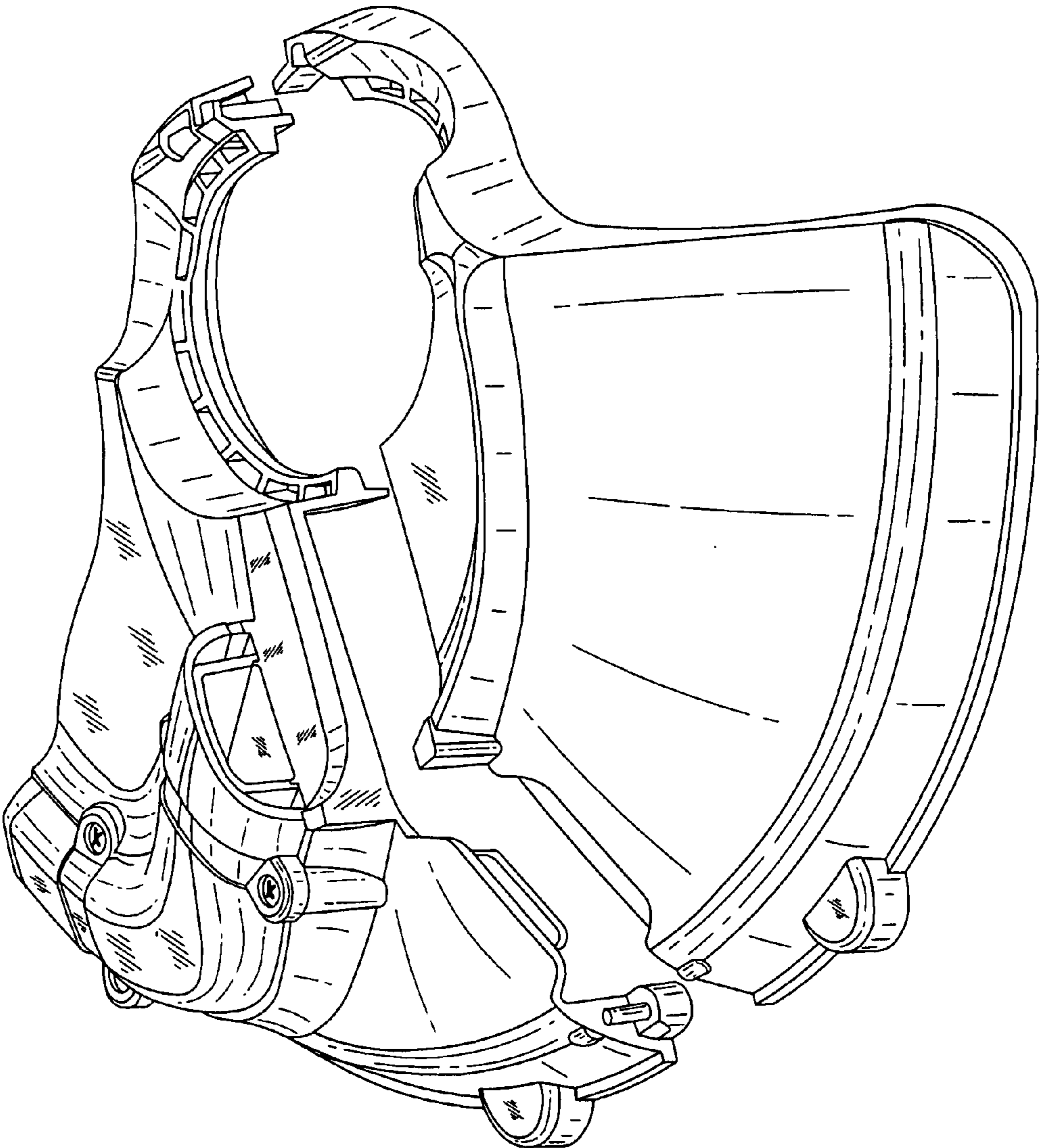


FIG.3

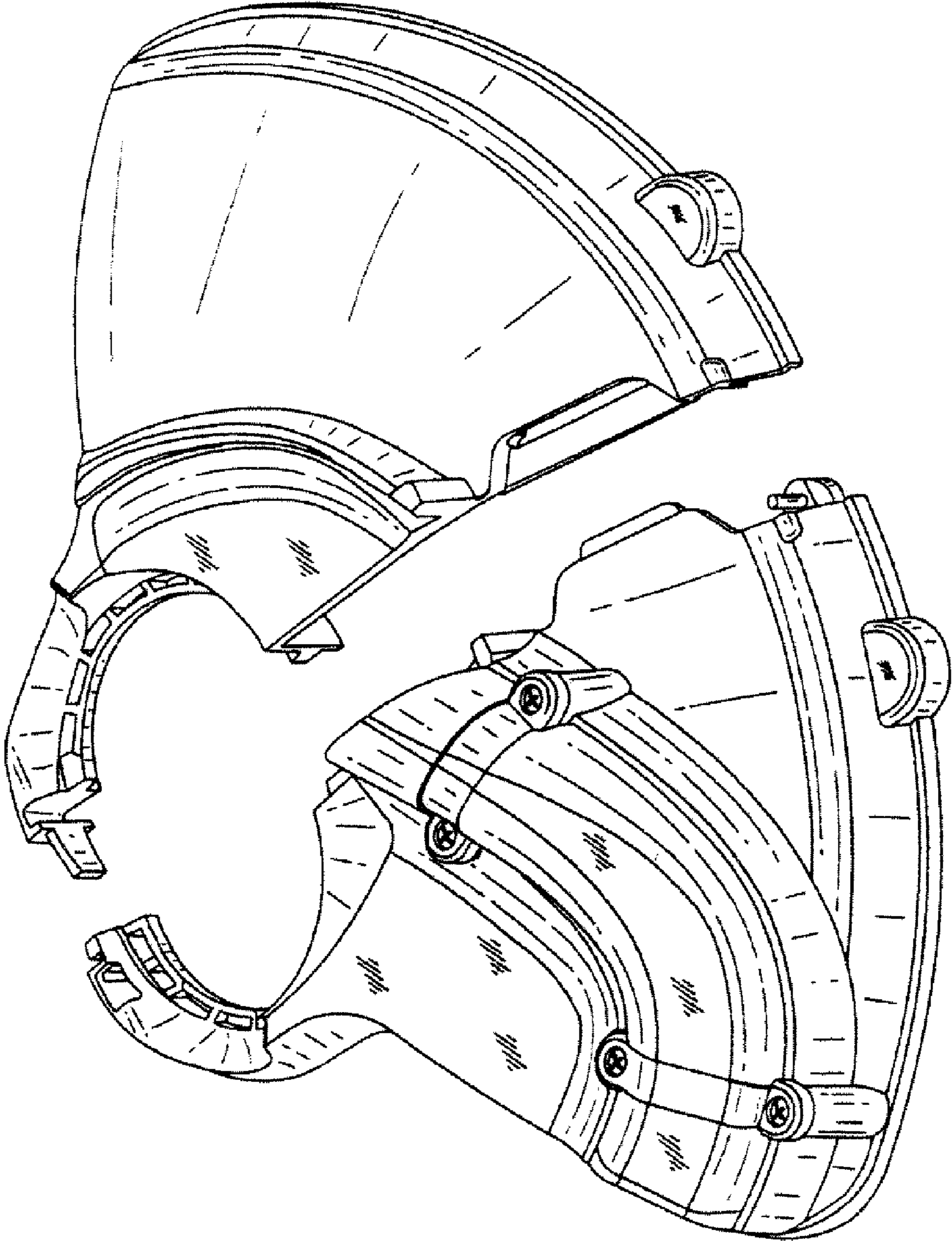


FIG.4

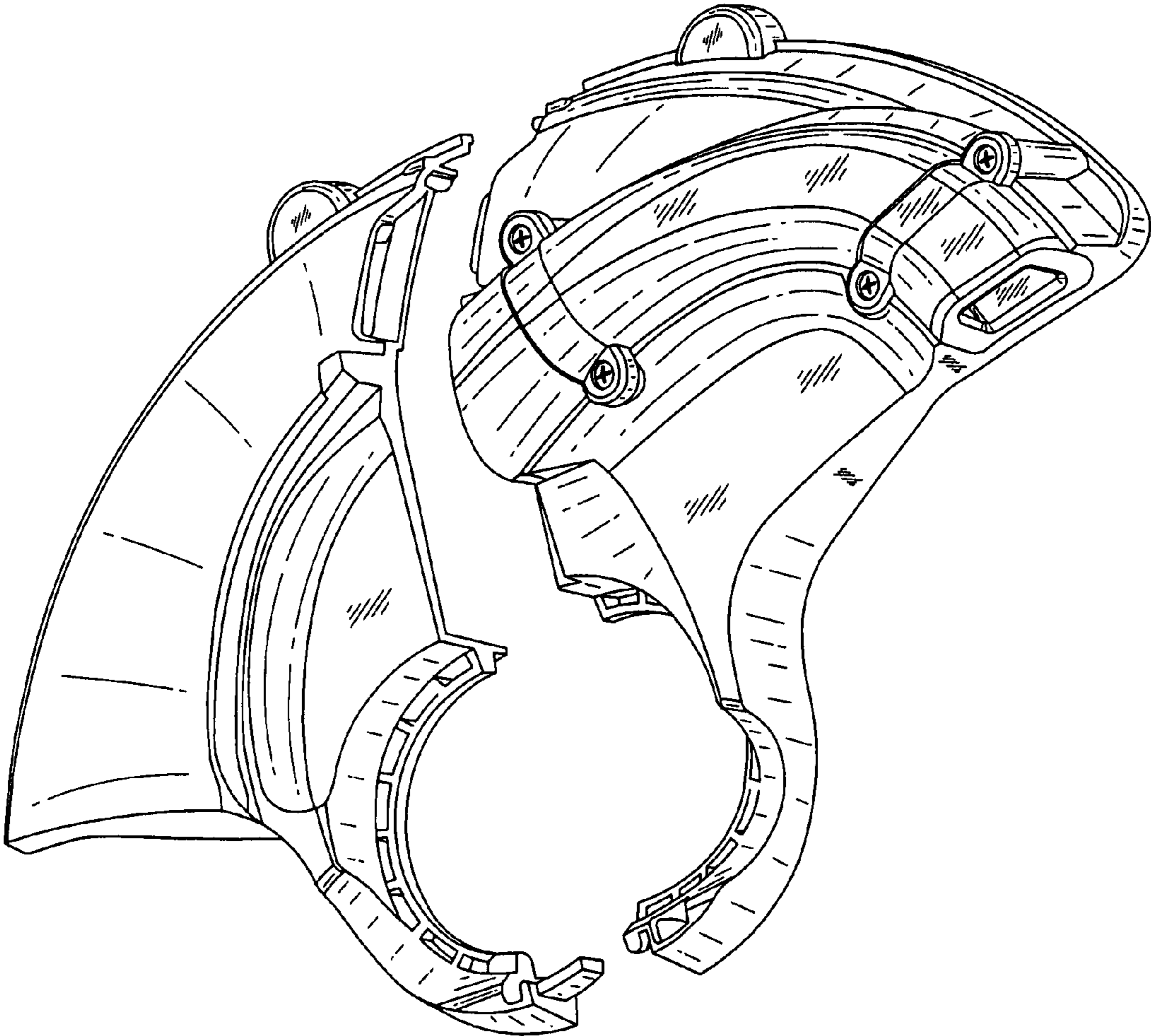


FIG.5

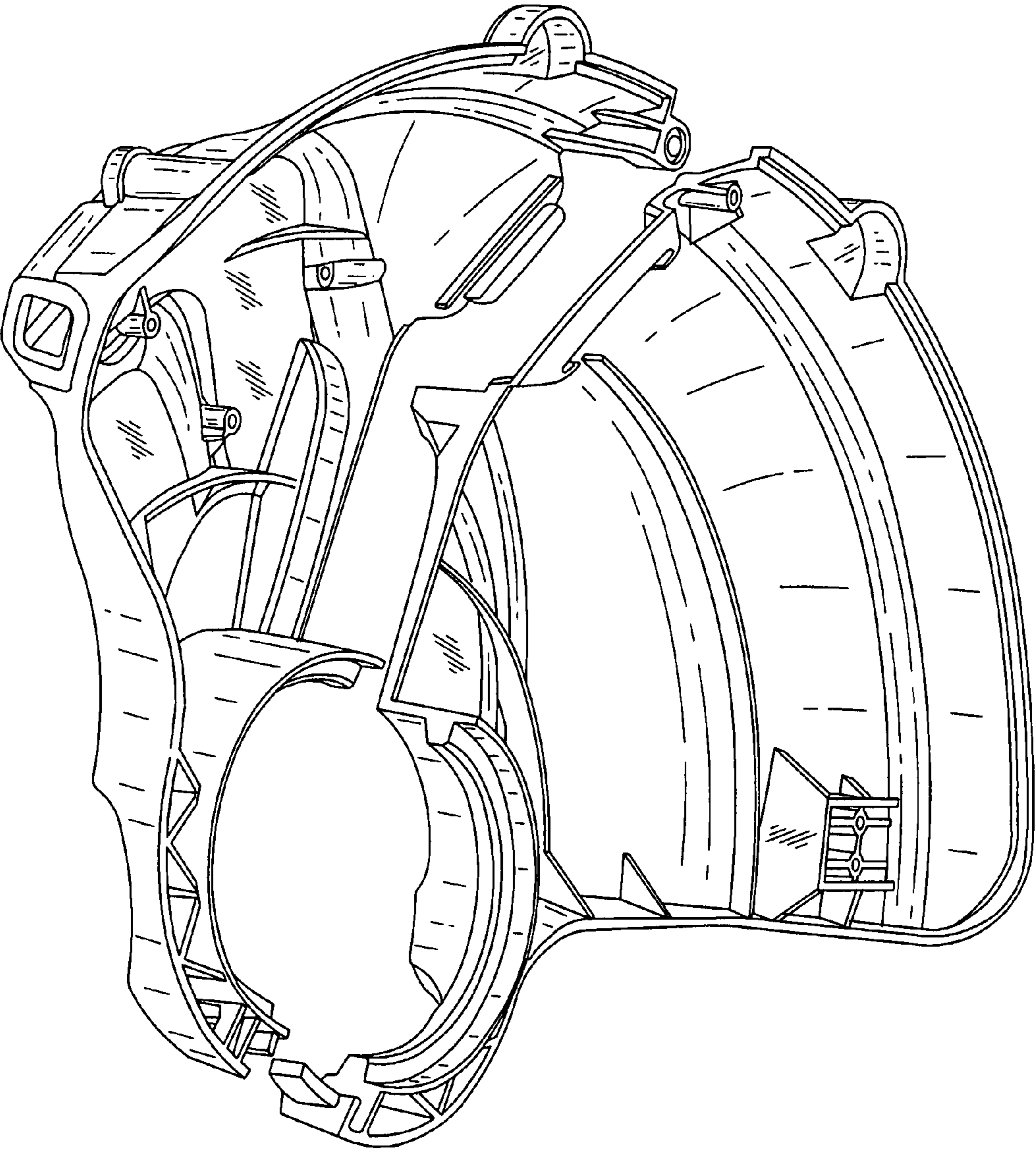


FIG.6

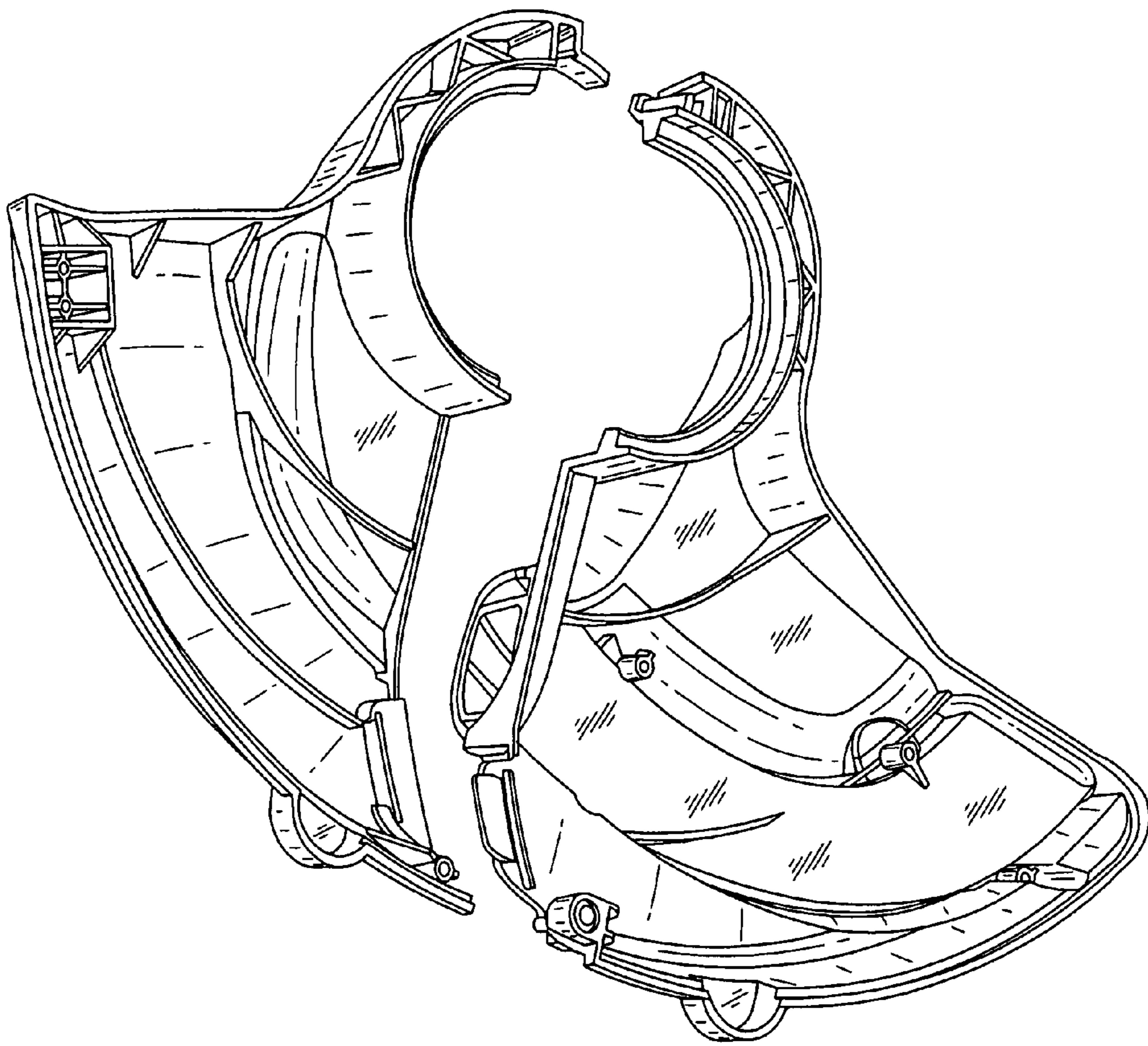


FIG.7