



US00D584579S

(12) **United States Design Patent**
Vendl

(10) **Patent No.:** **US D584,579 S**
(45) **Date of Patent:** **** Jan. 13, 2009**

(54) **SNOWFLAKE STACKABLE COOKIE CUTTER SET**

5,921,153 A * 7/1999 Barnett 30/315
5,933,968 A * 8/1999 Solomon 30/315
D513,823 S * 1/2006 Haro D1/106

(75) Inventor: **Lynn Vendl**, Woodridge, IL (US)

* cited by examiner

(73) Assignee: **Wilton Industries, Inc.**, Woodridge, IL (US)

Primary Examiner—Terry A Wallace
(74) *Attorney, Agent, or Firm*—DLA Piper LLP (US); Jennifer E. Lacroix

(**) Term: **14 Years**

(21) Appl. No.: **29/320,408**

(22) Filed: **Jun. 26, 2008**

(51) **LOC (9) Cl.** **07-04**

(52) **U.S. Cl.** **D7/675**

(58) **Field of Classification Search** D7/675,
D7/676, 354, 357; D1/106, 107; 30/314–316,
30/299, 301

See application file for complete search history.

(56) **References Cited**

U.S. PATENT DOCUMENTS

2,612,123 A * 9/1952 Nord 30/316
2,754,587 A * 7/1956 Bylkas 30/301
4,327,489 A * 5/1982 Conrad 30/299
D282,893 S * 3/1986 Daenen D7/676
D304,574 S * 11/1989 Fay, III D1/106
D394,535 S * 5/1998 Villota et al. D1/106

(57) **CLAIM**

The ornamental design for a snowflake stackable cookie cutter set, as shown and described.

DESCRIPTION

FIG. 1 is a perspective view of the snowflake stackable cookie cutter set;

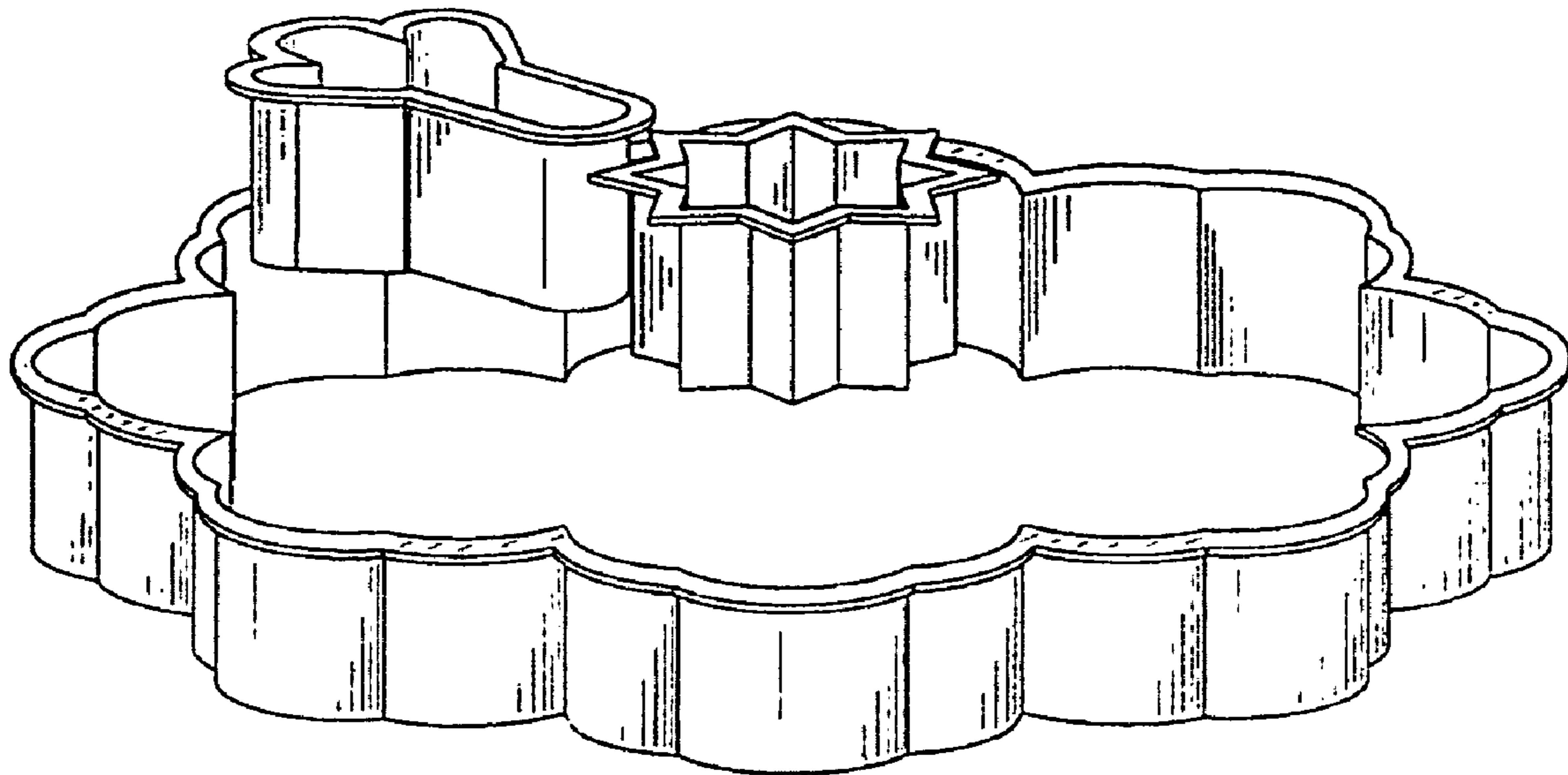
FIG. 2 is a left side elevational view of the snowflake stackable cookie cutter set, the right side elevational view being a mirror image thereof;

FIG. 3 is a top plan view of the snowflake stackable cookie cutter set;

FIG. 4 is a bottom plan view of the snowflake stackable cookie cutter set; and,

FIG. 5 is an exploded view of the snowflake stackable cookie cutter set.

1 Claim, 3 Drawing Sheets



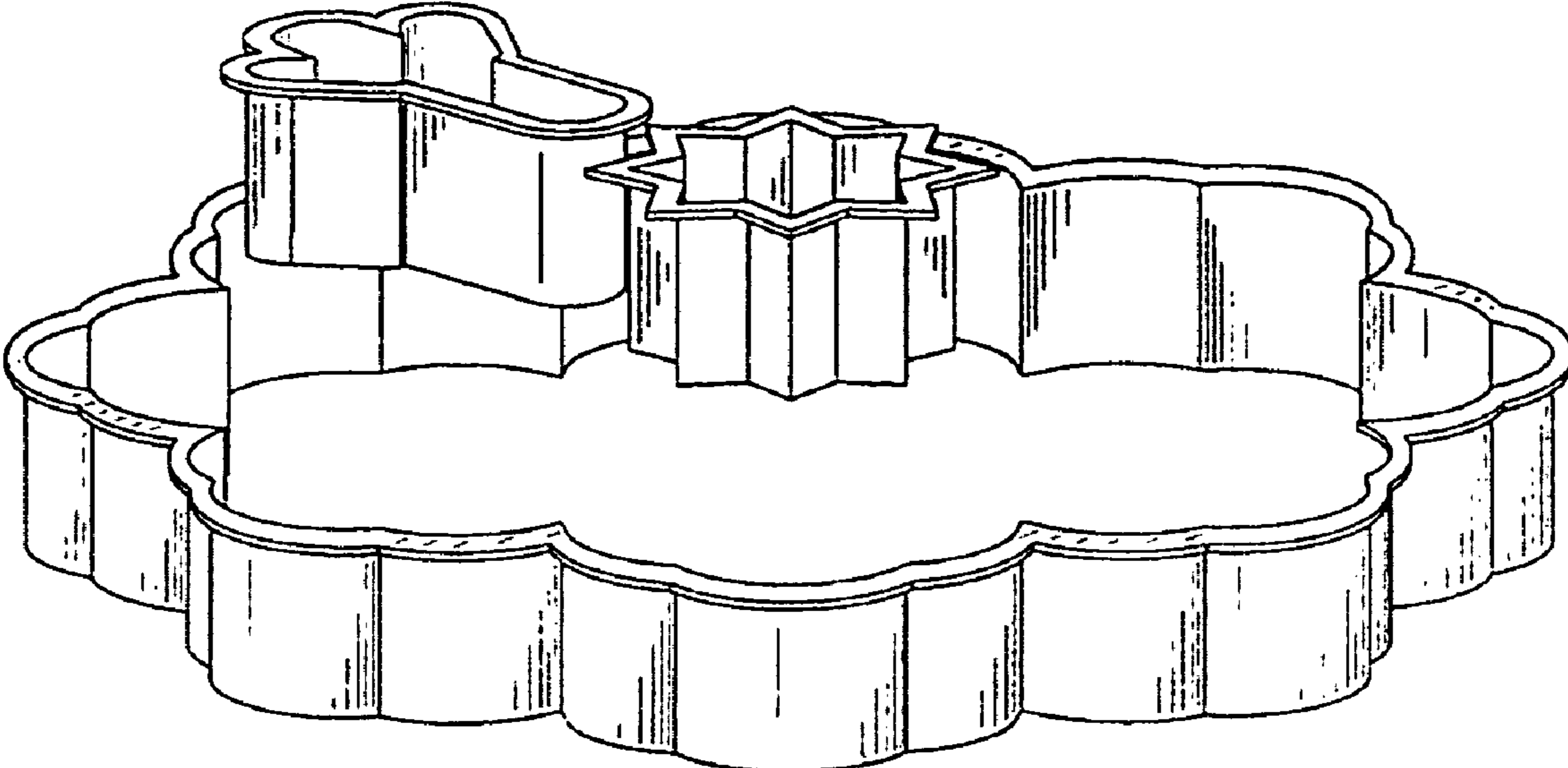


FIG. 1

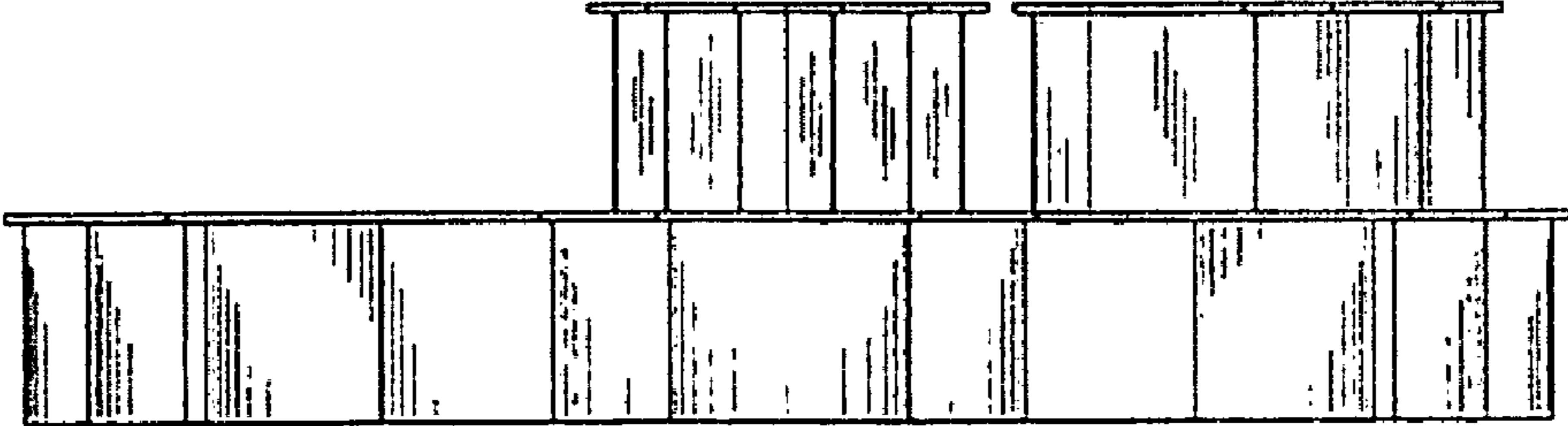


FIG. 2

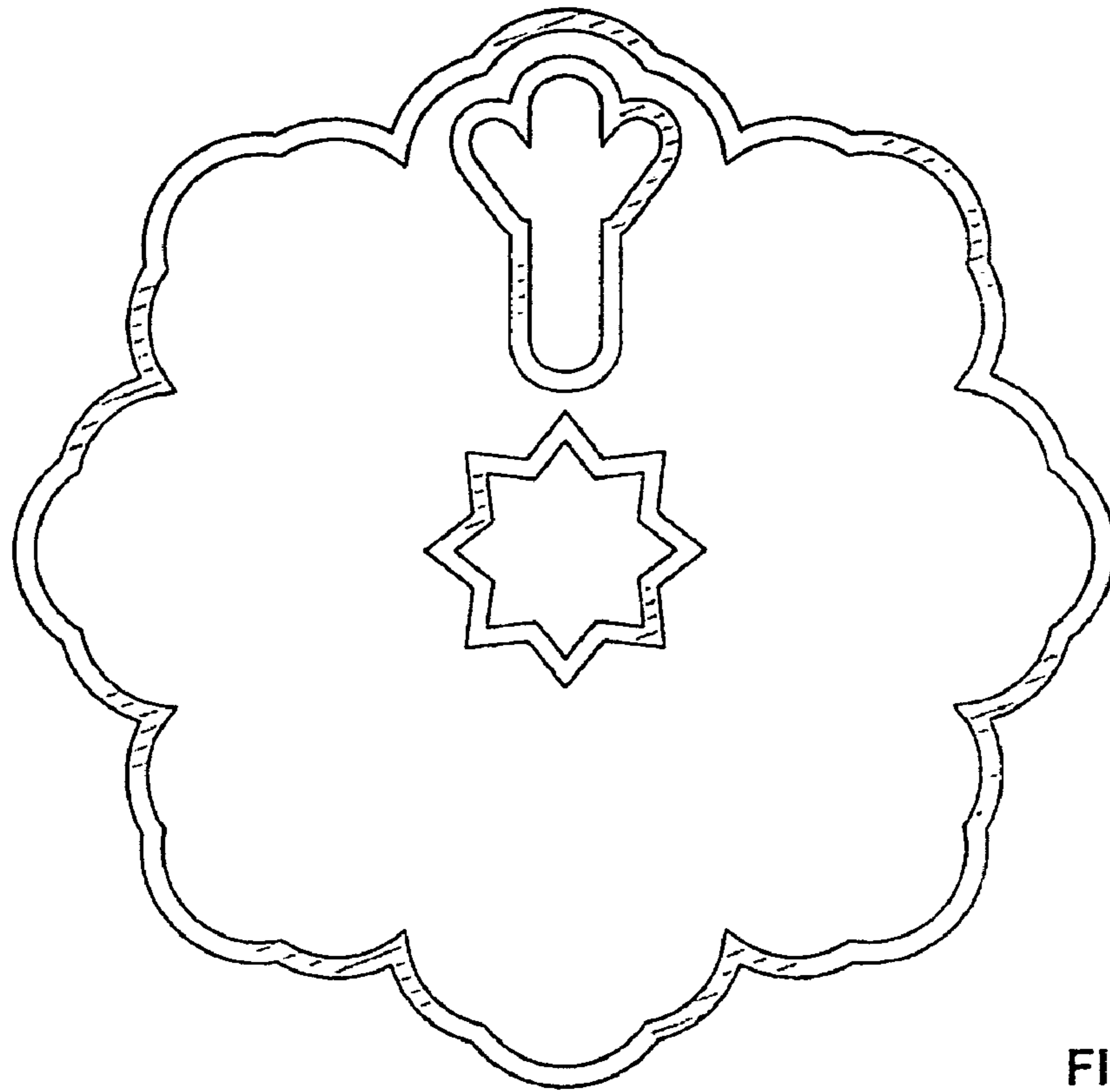


FIG. 3

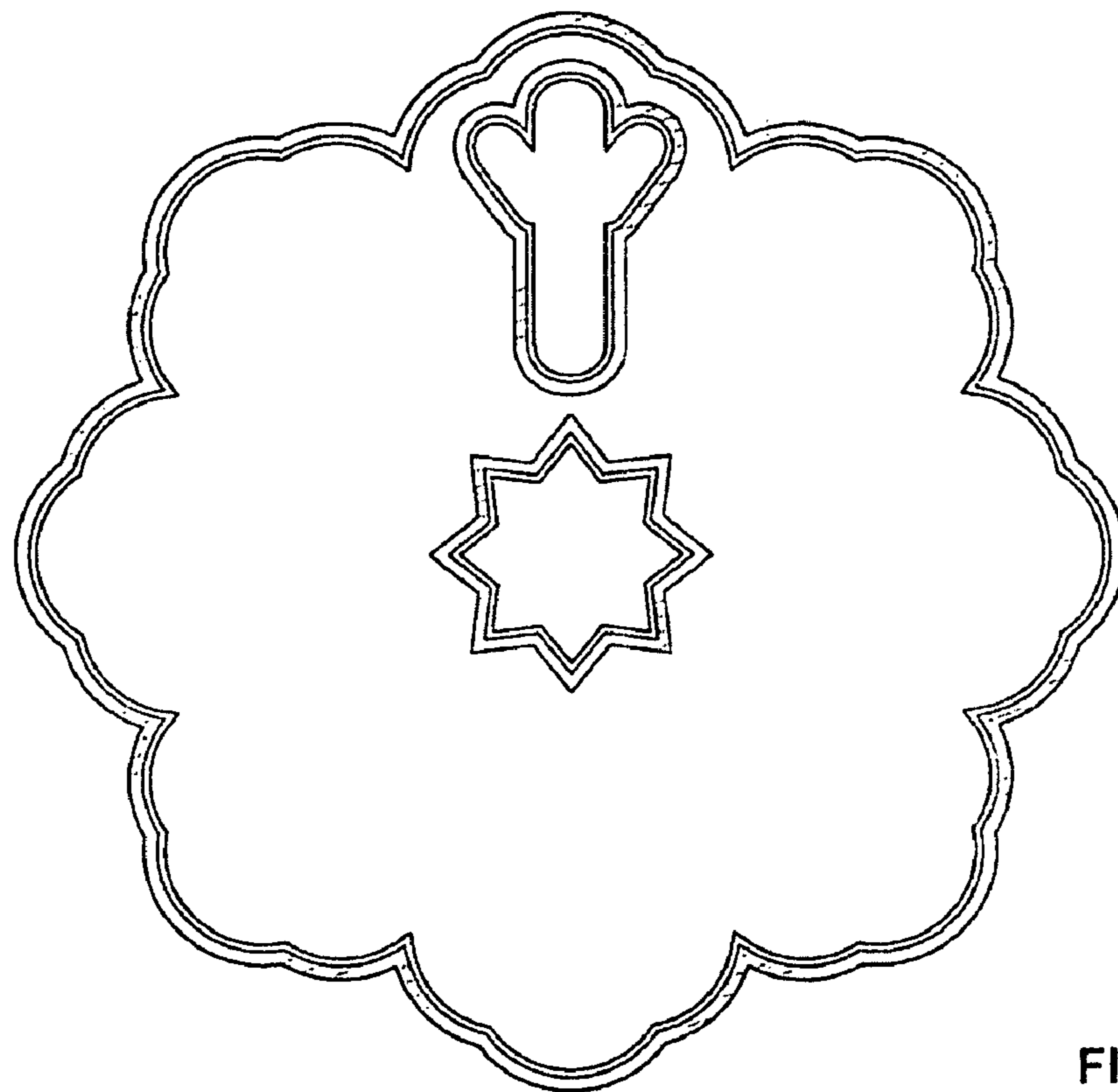


FIG. 4

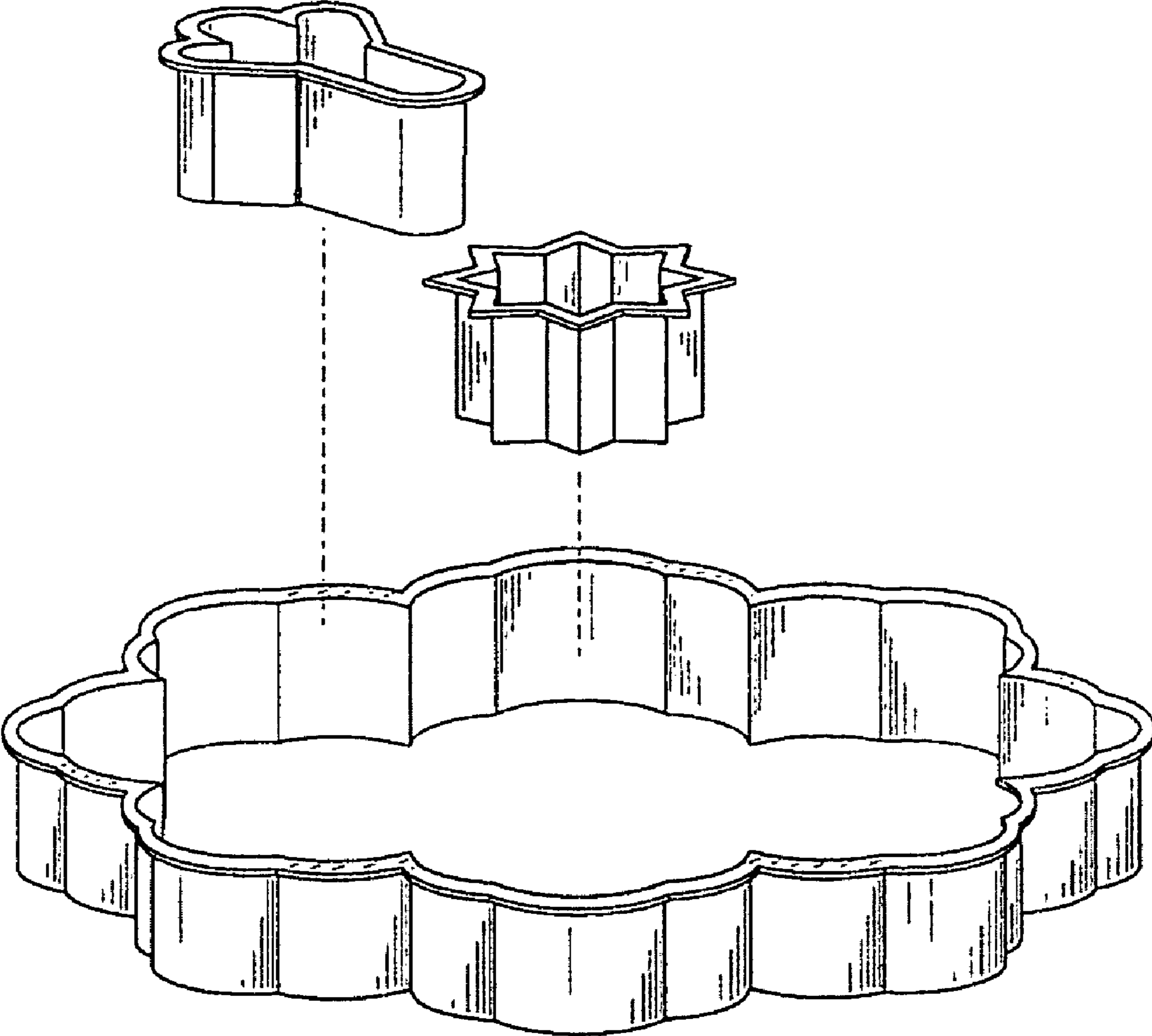


FIG. 5