



US00D584577S

(12) **United States Design Patent**
Vendl

(10) **Patent No.:** **US D584,577 S**
(45) **Date of Patent:** **** Jan. 13, 2009**

(54) **REINDEER STACKABLE COOKIE CUTTER SET**

5,933,968 A * 8/1999 Solomon 30/315
D467,701 S * 12/2002 D'mytro D1/107

(75) Inventor: **Lynn Vendl**, Woodridge, IL (US)

* cited by examiner

(73) Assignee: **Wilton Industries, Inc.**, Woodridge, IL (US)

Primary Examiner—Terry A Wallace
(74) *Attorney, Agent, or Firm*—DLA Piper LLP (US); Jennifer E. Lacroix

(**) Term: **14 Years**

(57) **CLAIM**

(21) Appl. No.: **29/320,395**

The ornamental design for a reindeer stackable cookie cutter set, as shown and described.

(22) Filed: **Jun. 26, 2008**

(51) **LOC (9) Cl.** **07-04**

(52) **U.S. Cl.** **D7/675**

(58) **Field of Classification Search** D7/675,
D7/676, 354, 357; D1/106, 107; 30/314–316,
30/299, 301

See application file for complete search history.

DESCRIPTION

FIG. 1 is a perspective view of the reindeer stackable cookie cutter set;

FIG. 2 is a left side elevational view of the reindeer stackable cookie cutter set, the right side elevational view being a mirror image thereof;

FIG. 3 is a top plan view of the reindeer stackable cookie cutter set;

FIG. 4 is a bottom plan view of the reindeer stackable cookie cutter set; and,

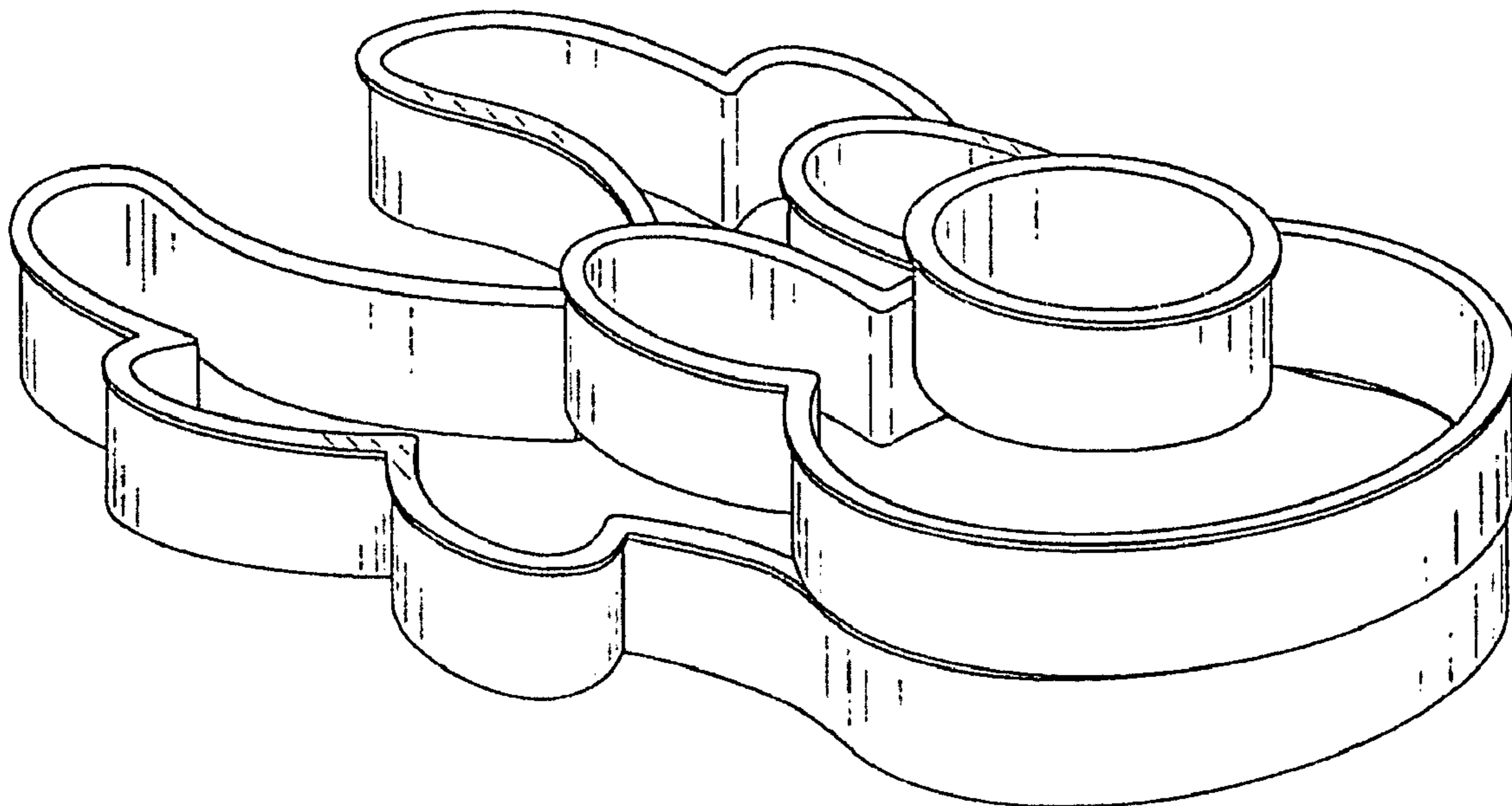
FIG. 5 is an exploded view of the reindeer stackable cookie cutter set.

(56) **References Cited**

U.S. PATENT DOCUMENTS

2,612,123	A *	9/1952	Nord	30/316
2,754,587	A *	7/1956	Bylka	30/301
4,327,489	A *	5/1982	Conrad	30/299
D282,893	S *	3/1986	Daenen	D7/676
5,921,153	A *	7/1999	Barnett	30/315

1 Claim, 4 Drawing Sheets



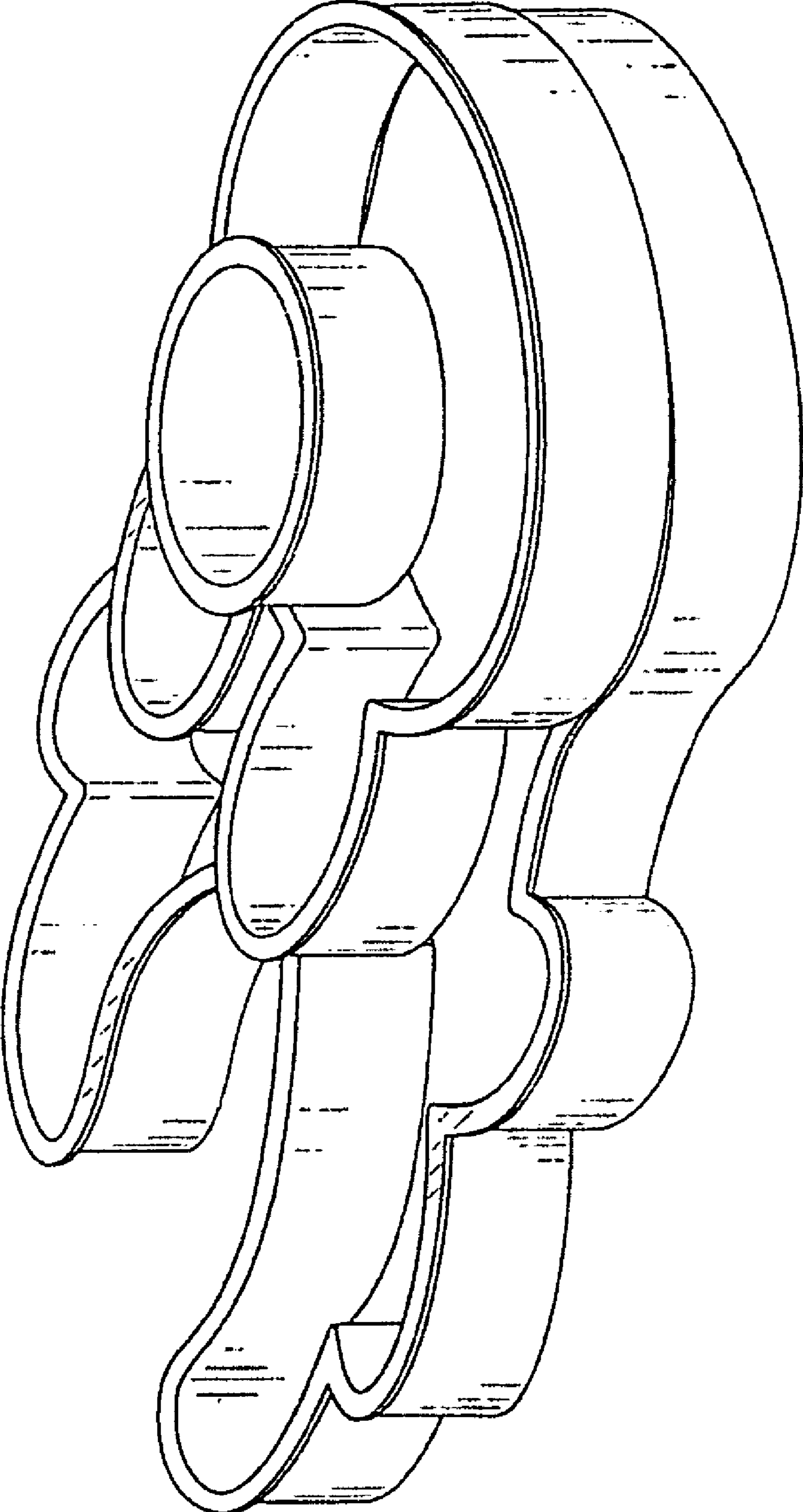


FIG. 1

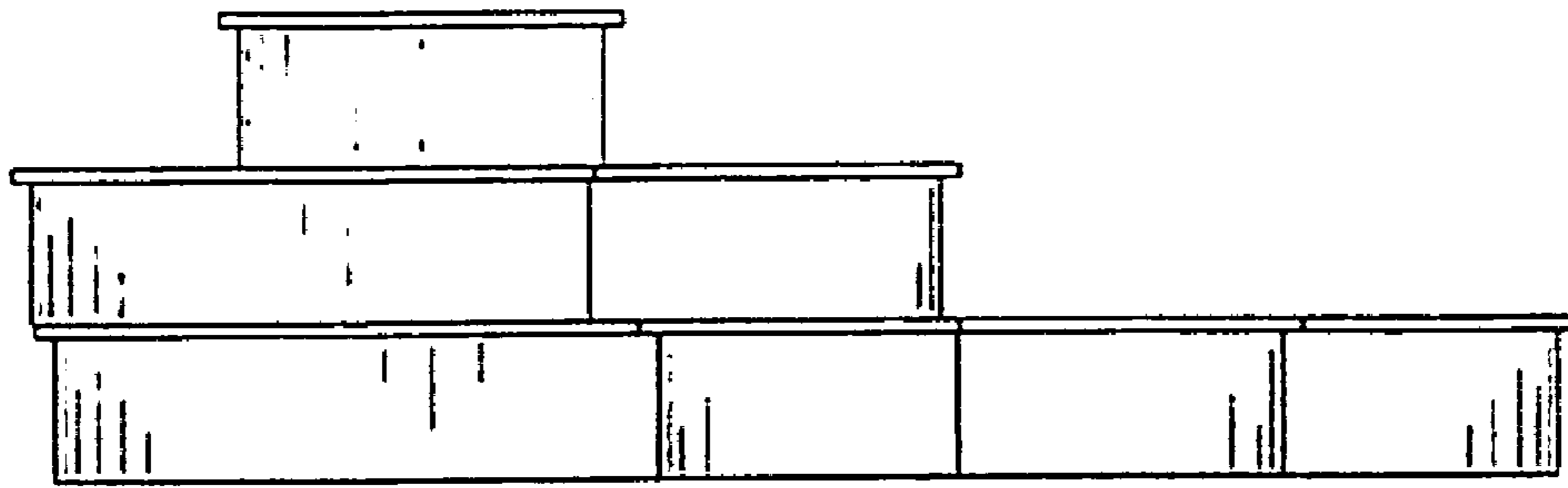


FIG. 2

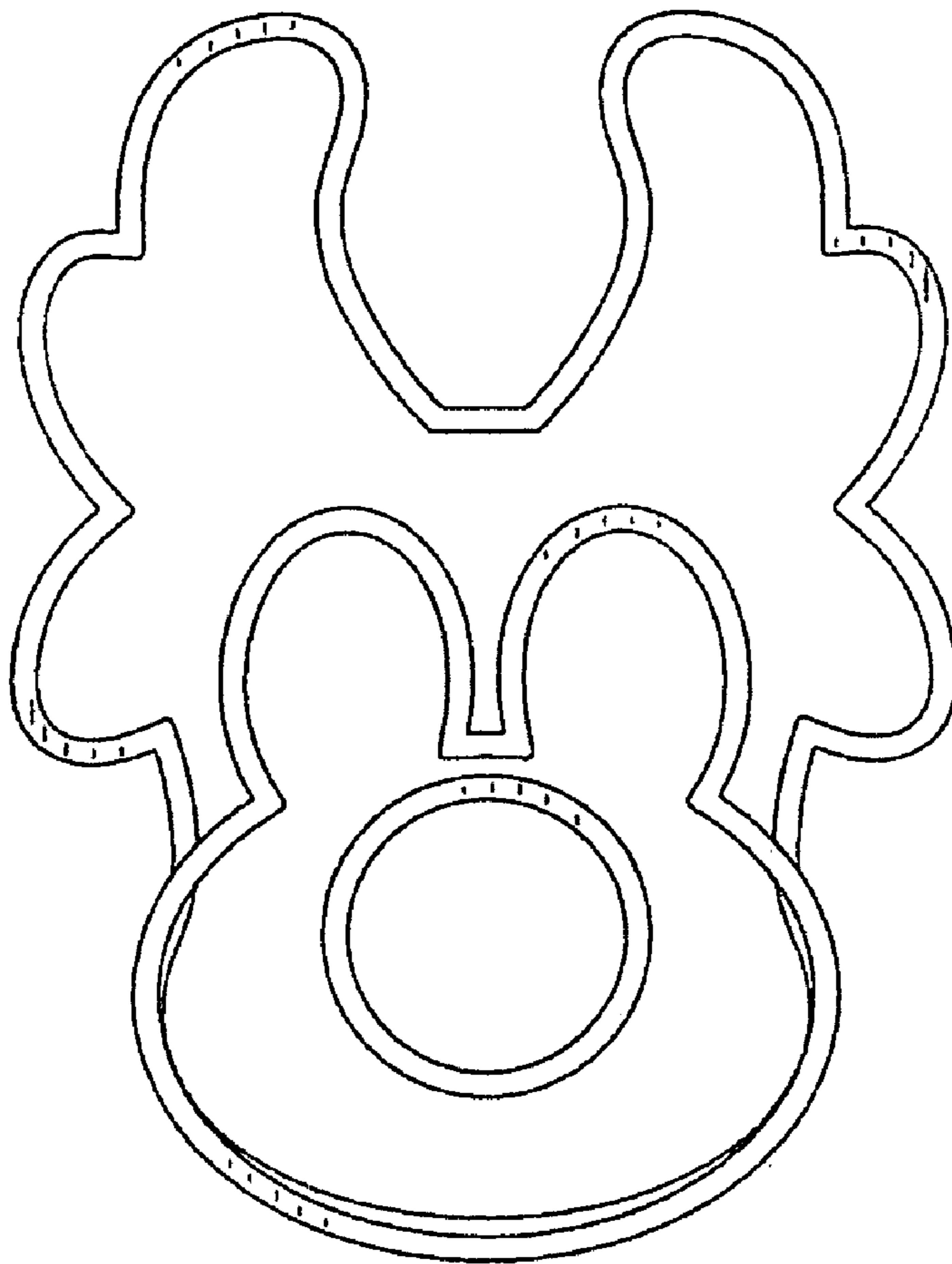


FIG. 3

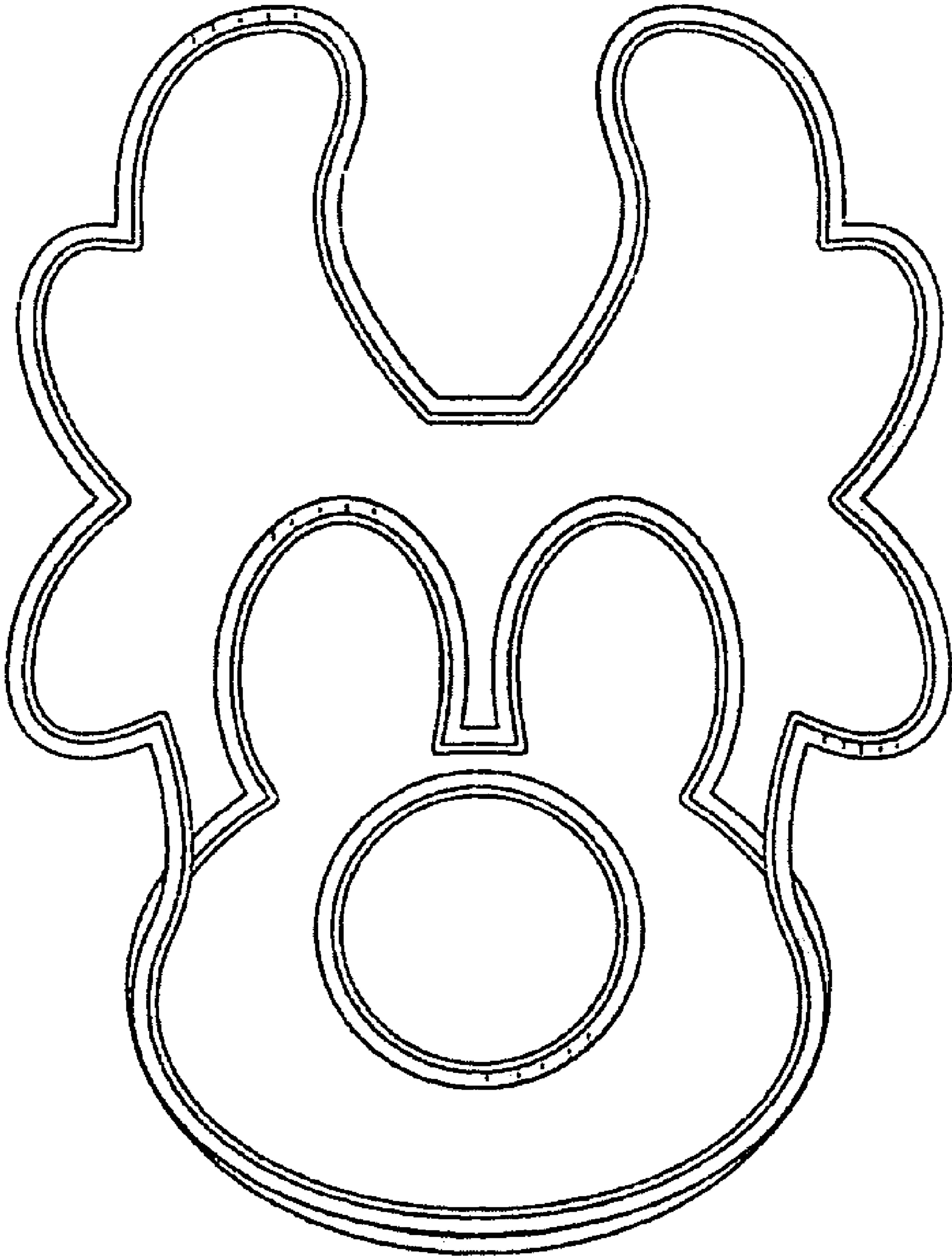


FIG. 4

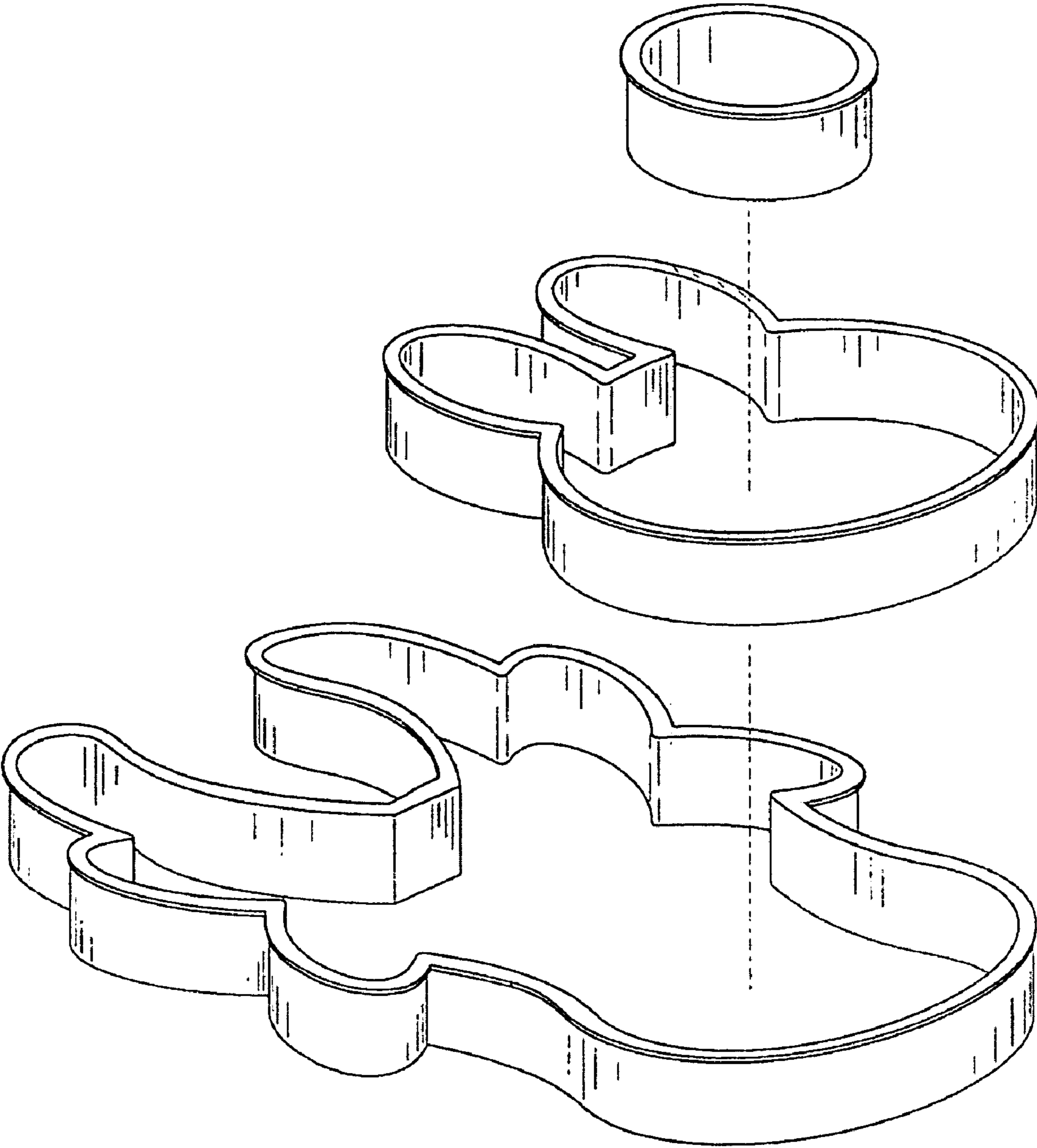


FIG. 5