



US00D584570S

(12) **United States Design Patent**
Bodum

(10) **Patent No.:** **US D584,570 S**
(45) **Date of Patent:** **** Jan. 13, 2009**

(54) **VACUUM FLASK**

(75) Inventor: **Jørgen Bodum**, Meggen (CH)

(73) Assignee: **Pi-Design, AG**, Triengen (CH)

(**) Term: **14 Years**

(21) Appl. No.: **29/319,140**

(22) Filed: **Jun. 4, 2008**

(30) **Foreign Application Priority Data**

Dec. 7, 2007 (DK) DA 2007 00292

(51) **LOC (9) Cl.** **07-01**

(52) **U.S. Cl.** **D7/608; D7/319**

(58) **Field of Classification Search** D7/605-608,
D7/509-511, 533, 536, 316-319; 215/12.1,
215/12.2, 13.1, 6; 220/592.16, 592.17, 592.2,
220/592.27; 62/457.1-457.9, 371, 372
See application file for complete search history.

(56) **References Cited**

U.S. PATENT DOCUMENTS

- 4,583,653 A * 4/1986 Minsky 220/293
- 4,596,337 A * 6/1986 Gerold et al. 215/398
- D303,904 S * 10/1989 Wolfenden D7/317
- D387,951 S * 12/1997 Huang D7/319
- D448,235 S * 9/2001 Jørgensen D7/319
- D450,982 S * 11/2001 Gaze et al. D7/608
- D542,078 S * 5/2007 Bodum D7/319

* cited by examiner

Primary Examiner—Terry A Wallace
(74) *Attorney, Agent, or Firm*—Cowan, Leibowitz & Latman, PC

(57) **CLAIM**

The ornamental design for a vacuum flask, as shown and described.

DESCRIPTION

FIG. 1 is a perspective view of a first embodiment of the vacuum flask, showing my design thereof;

FIG. 2 is a front view thereof;

FIG. 3 is a back view thereof;

FIG. 4 is a right side view thereof;

FIG. 5 is a left side view thereof;

FIG. 6 is a top view thereof;

FIG. 7 is a bottom view thereof;

FIG. 8 is a perspective view of a second embodiment of the vacuum flask, showing my design thereof;

FIG. 9 is a front view thereof;

FIG. 10 is a back view thereof;

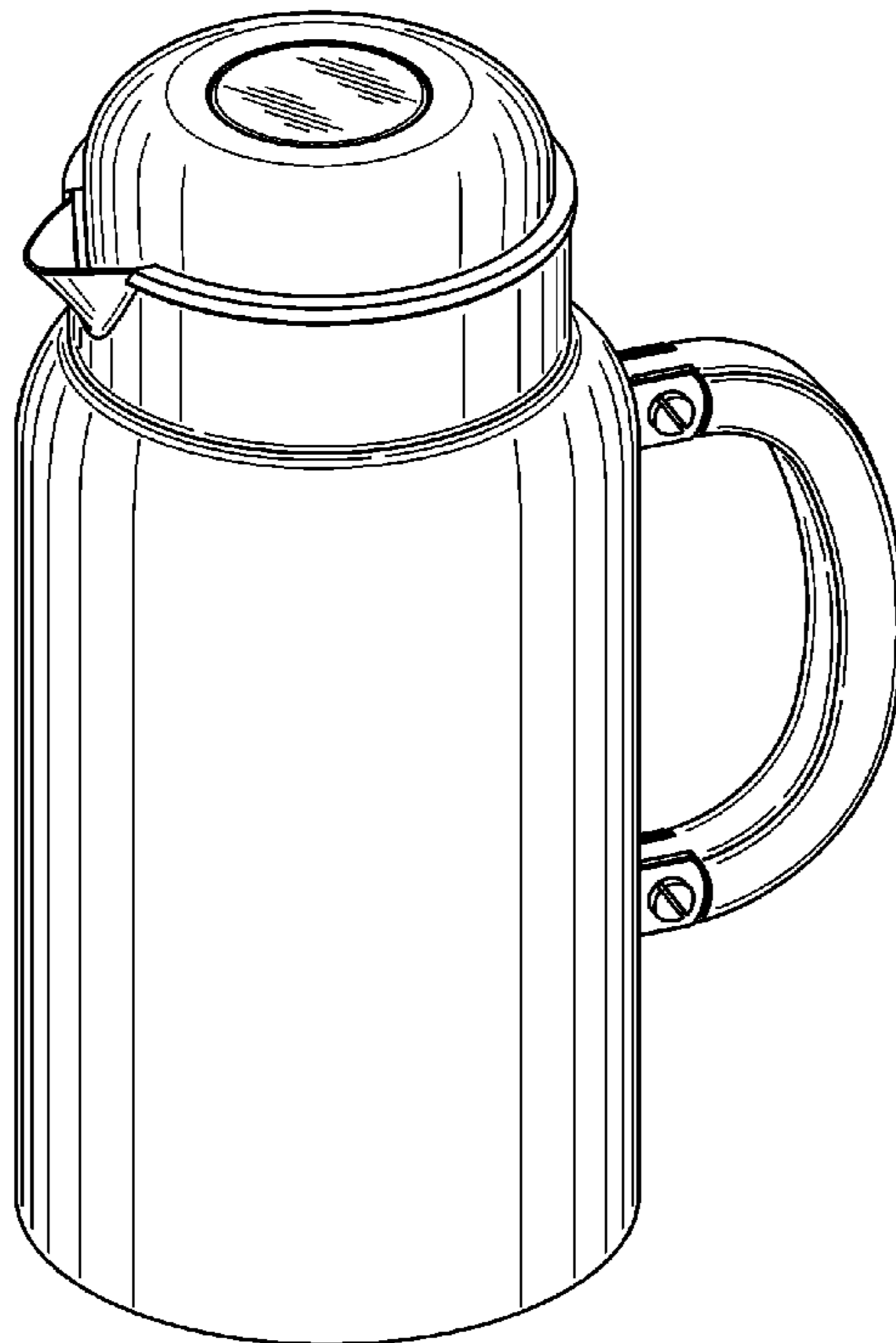
FIG. 11 is a right side view thereof;

FIG. 12 is a left side view thereof;

FIG. 13 is a top view thereof; and,

FIG. 14 is a bottom view thereof.

1 Claim, 14 Drawing Sheets



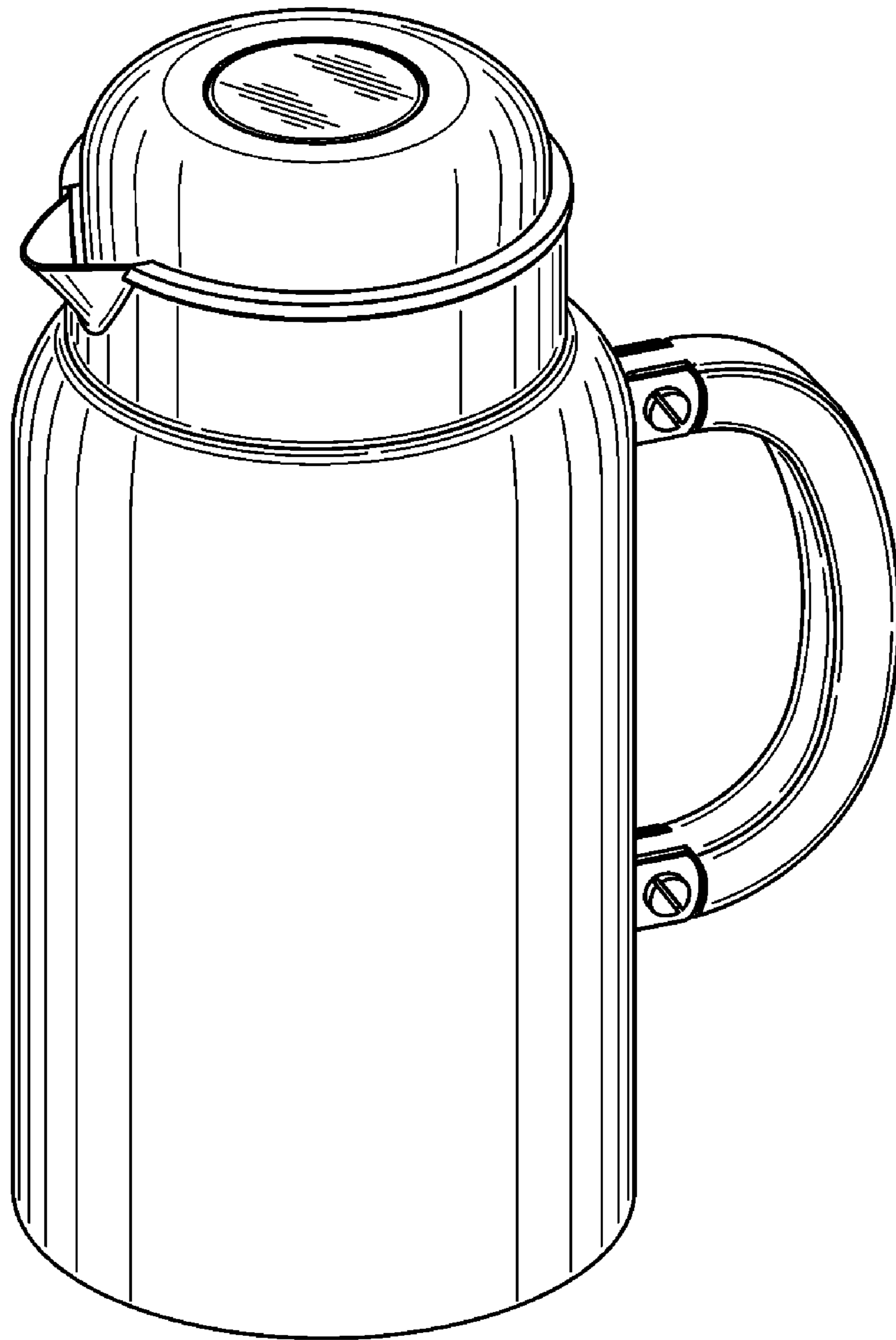


FIG. 1

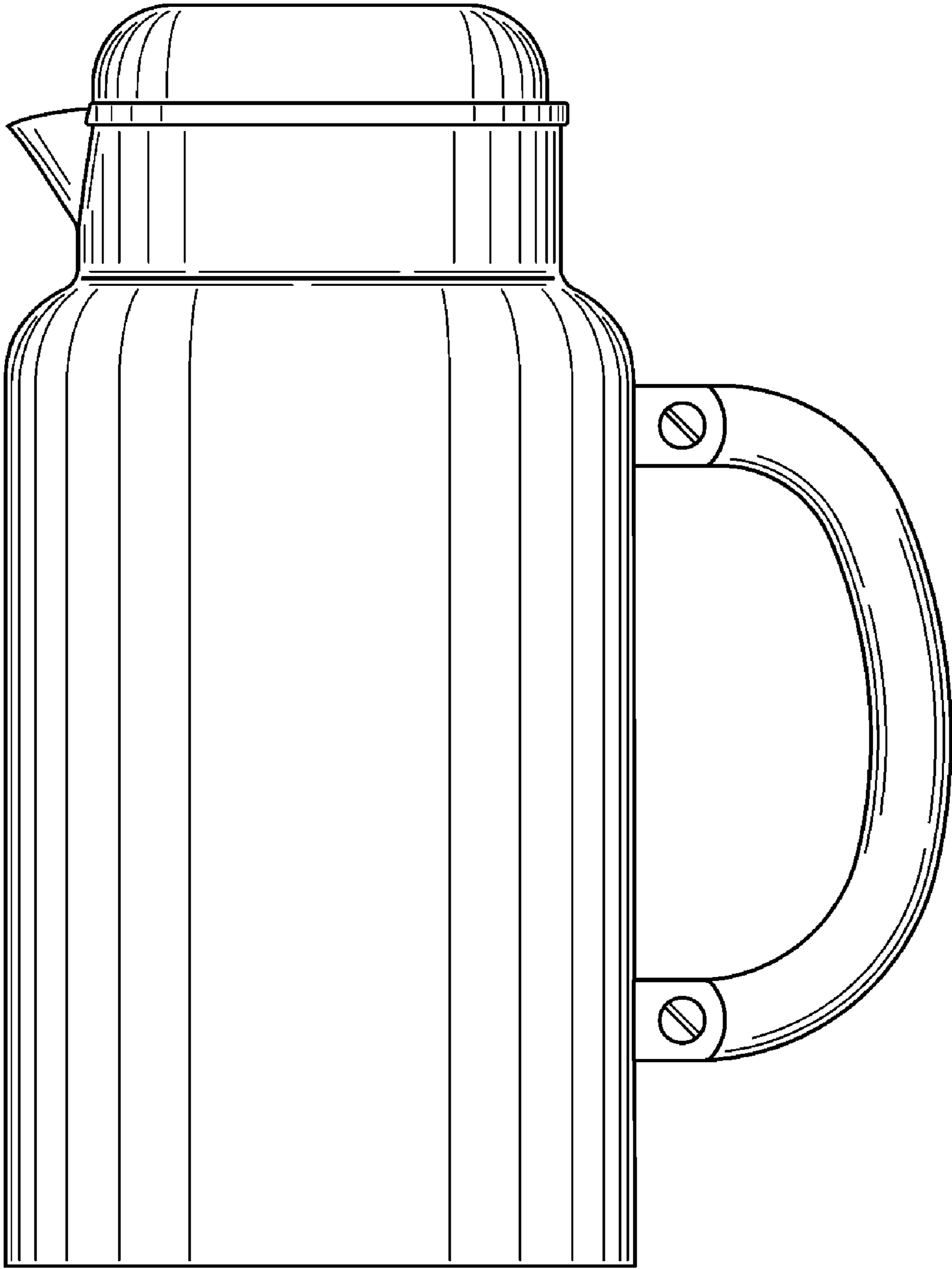


FIG. 2

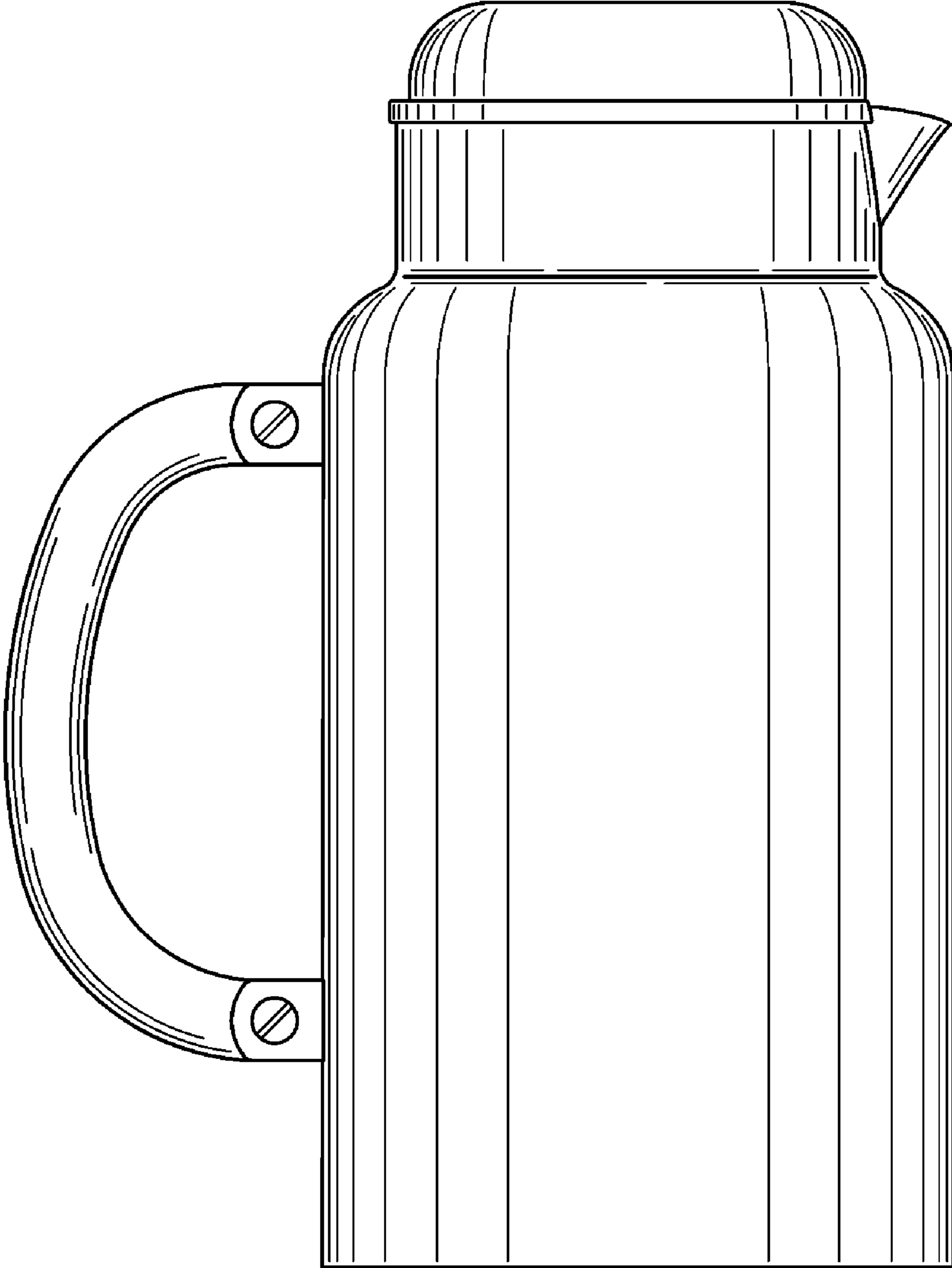


FIG. 3

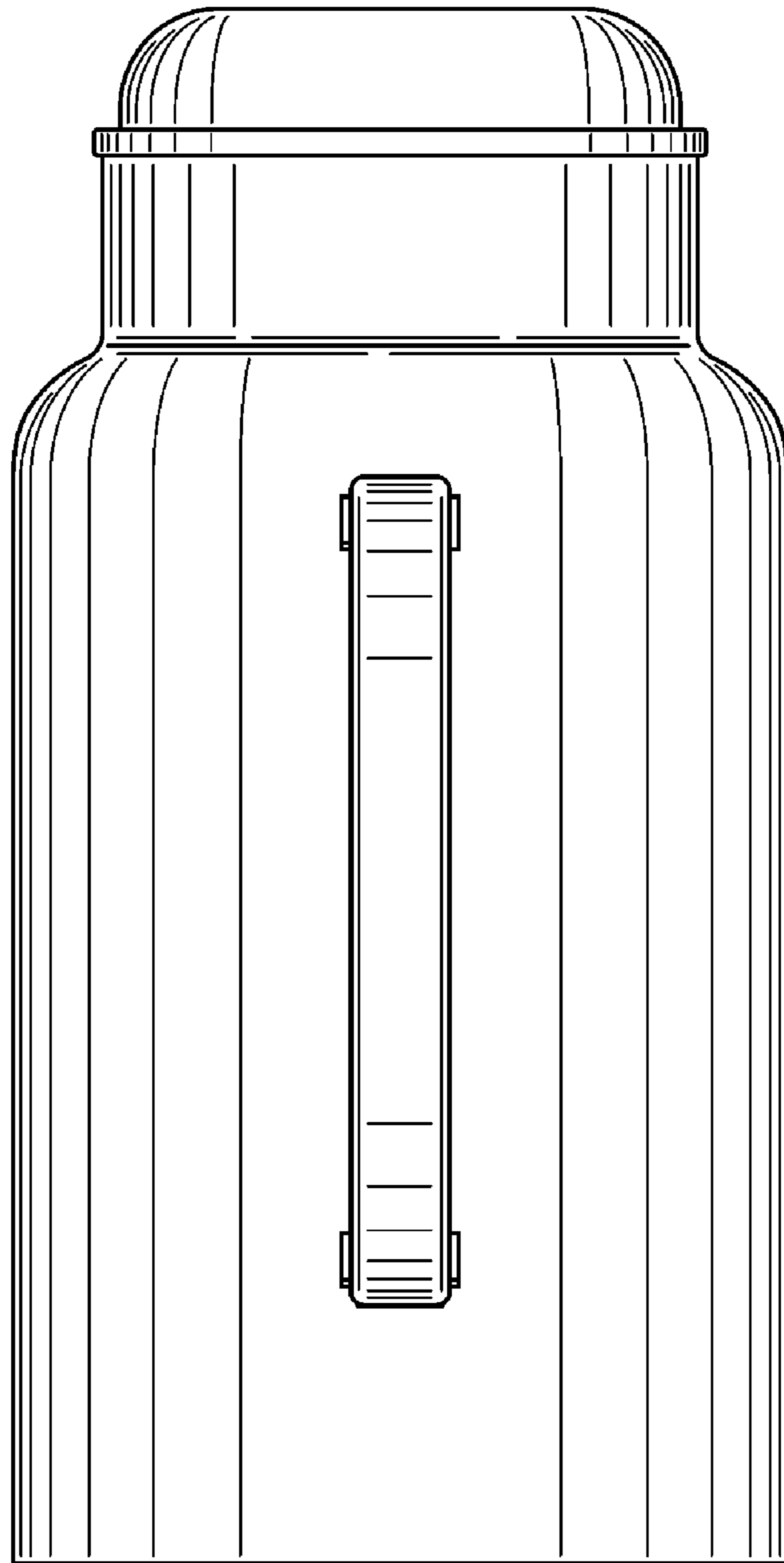


FIG. 4

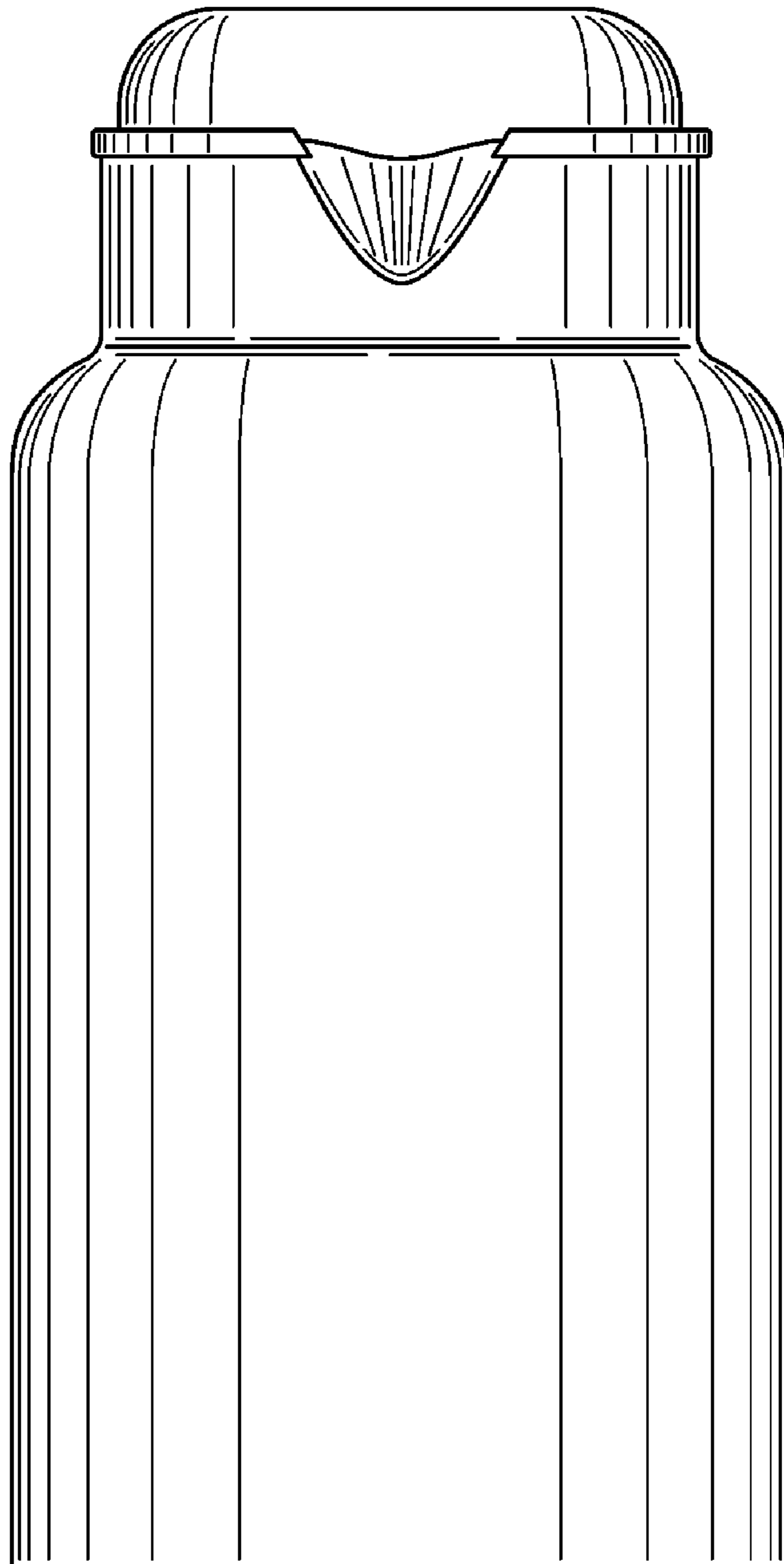


FIG. 5

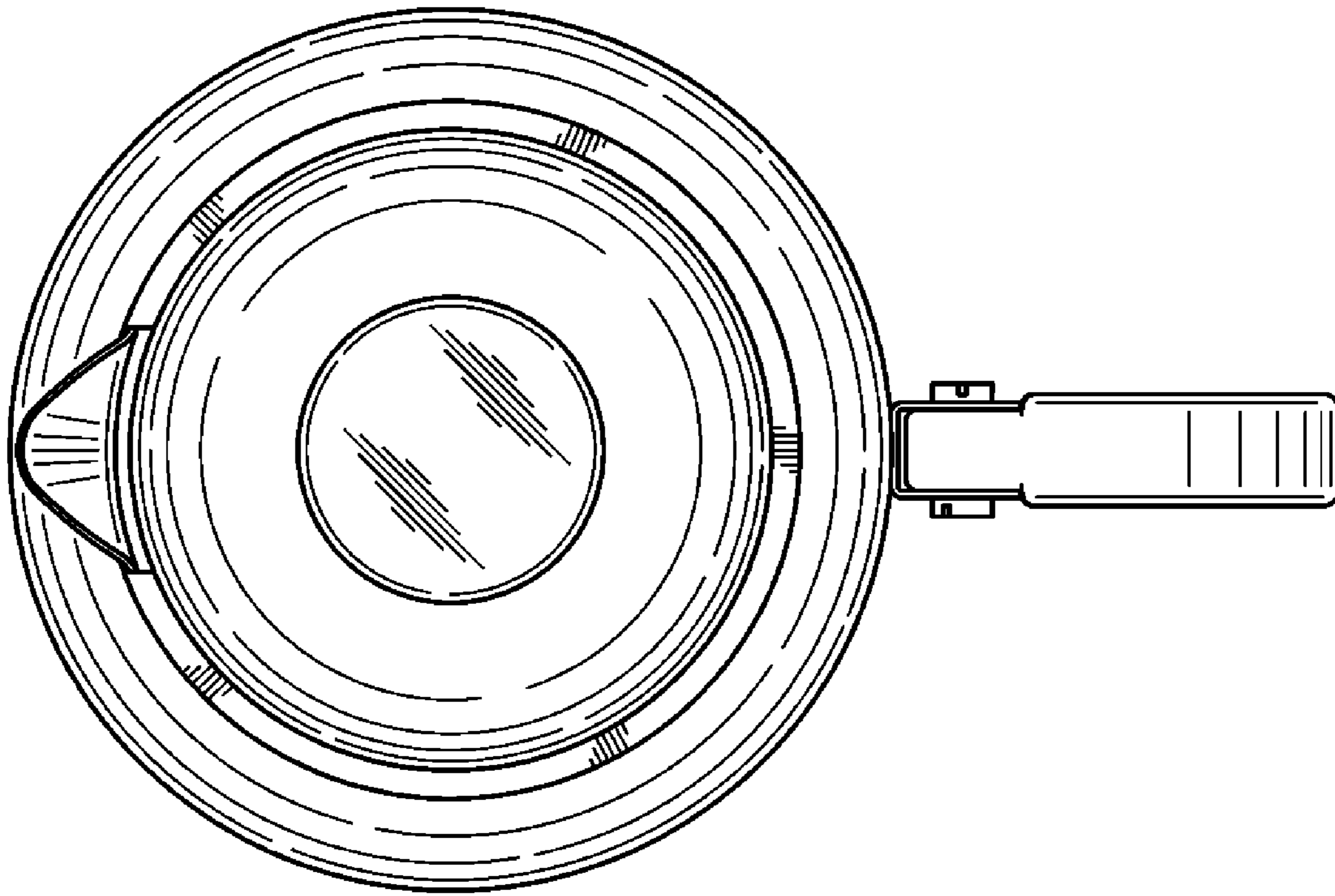


FIG. 6

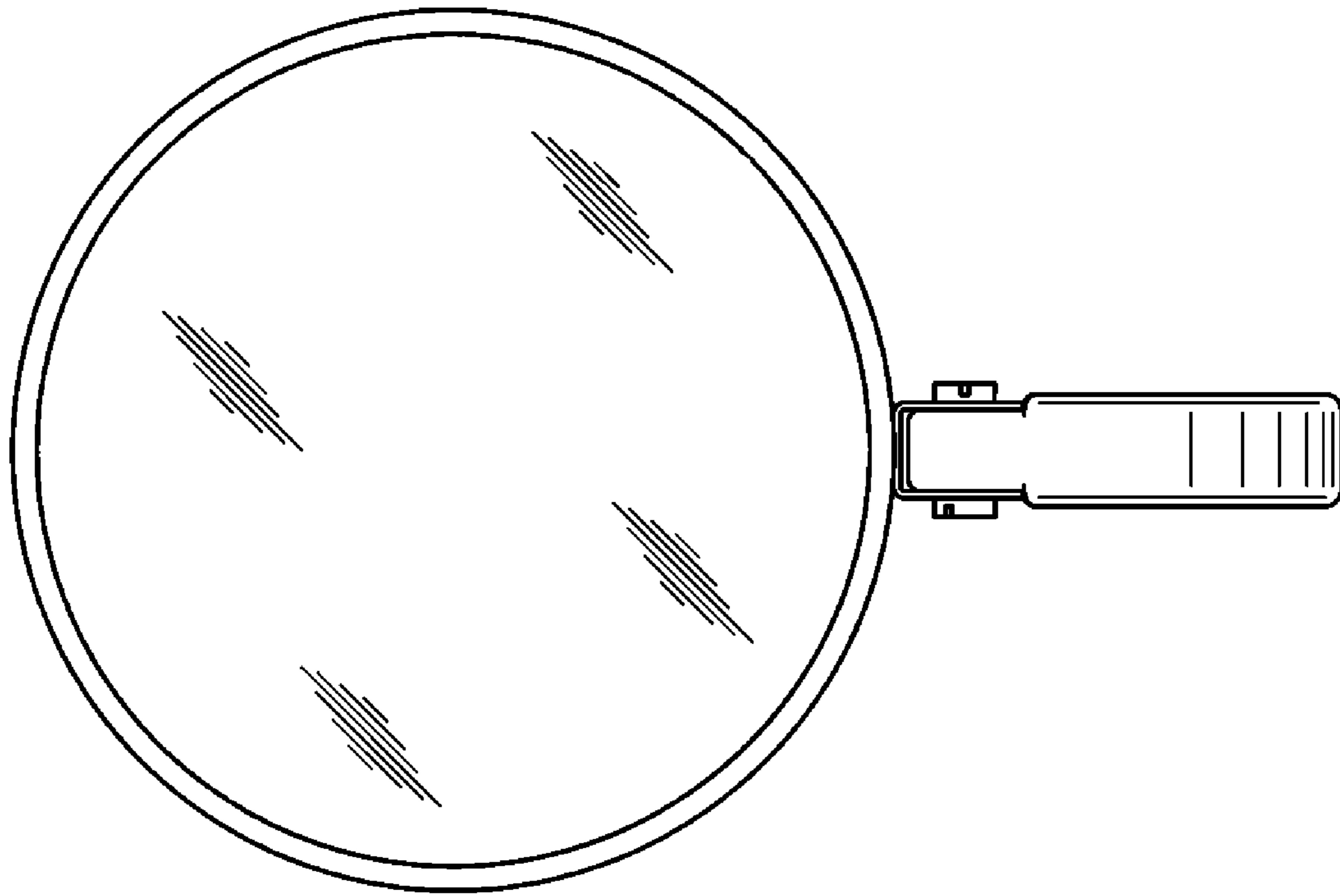


FIG. 7

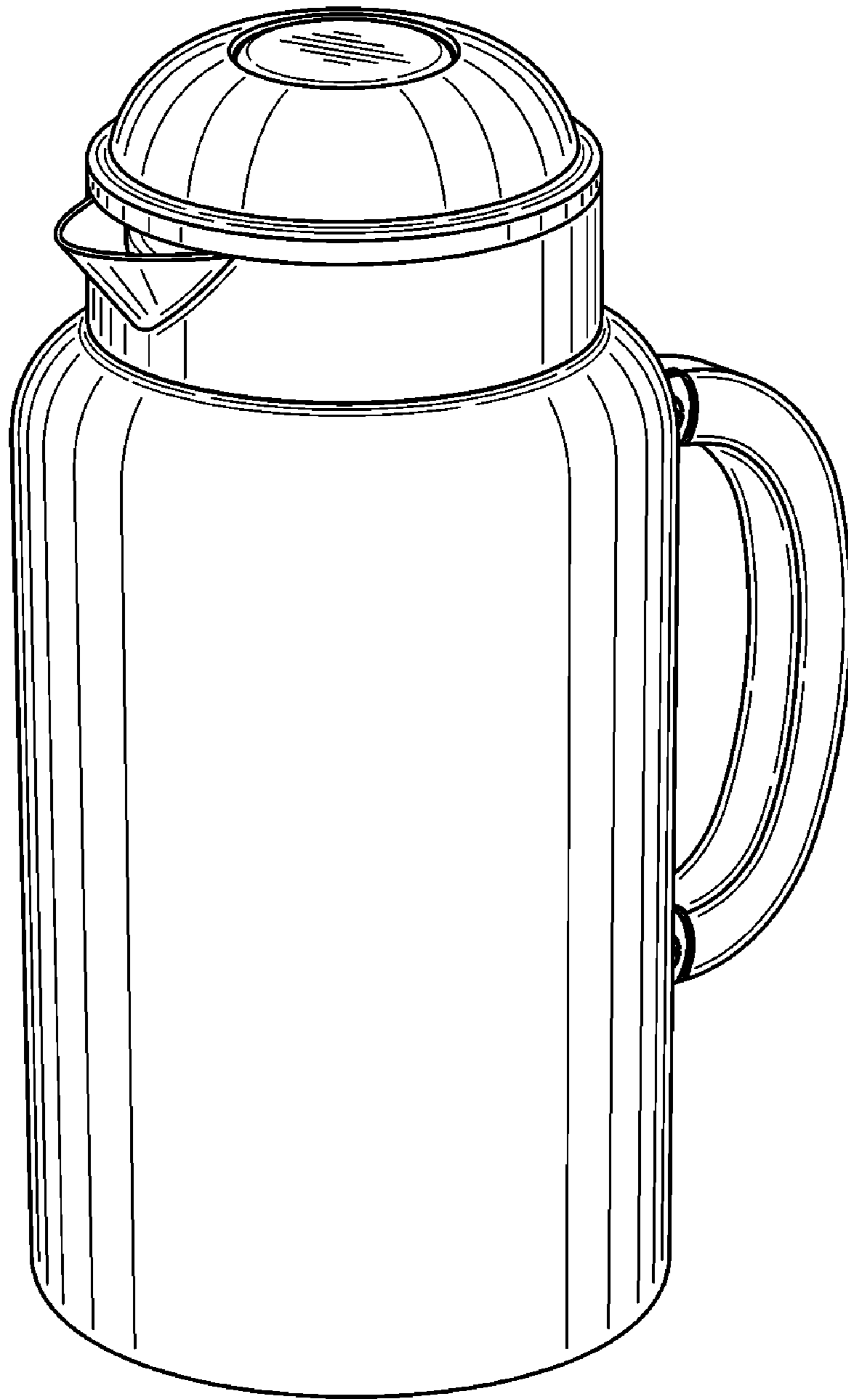


FIG. 8

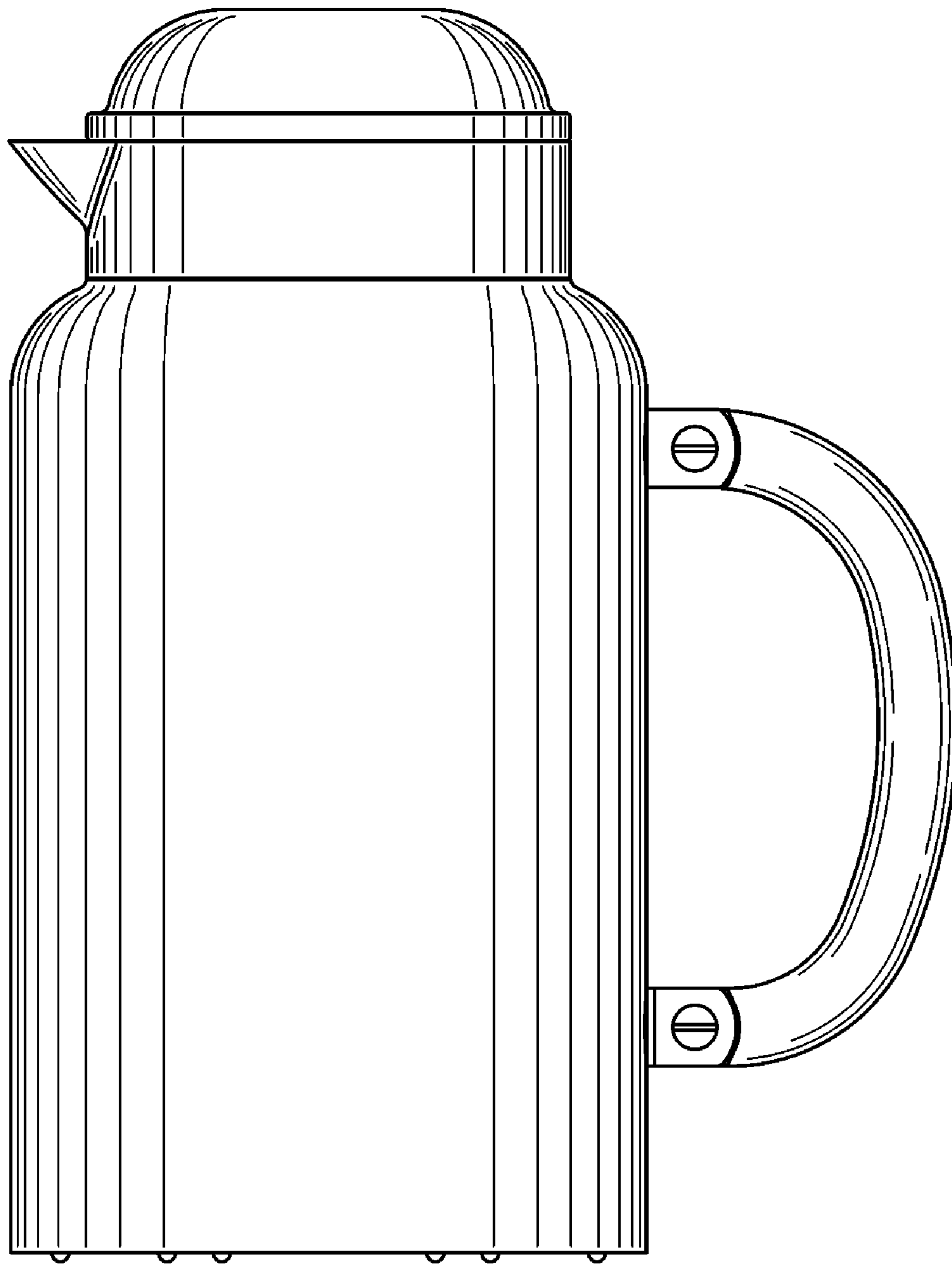


FIG. 9

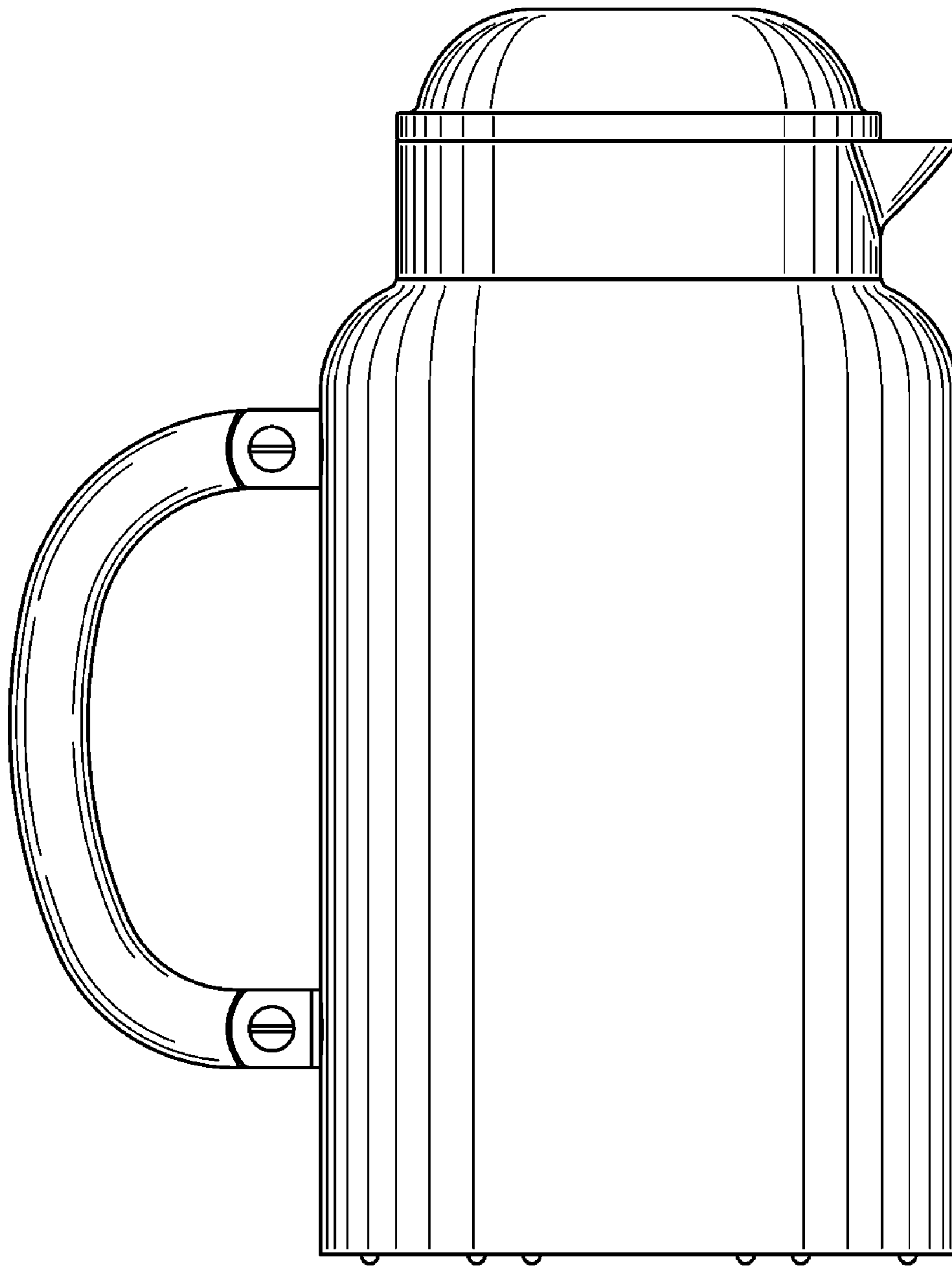


FIG. 10

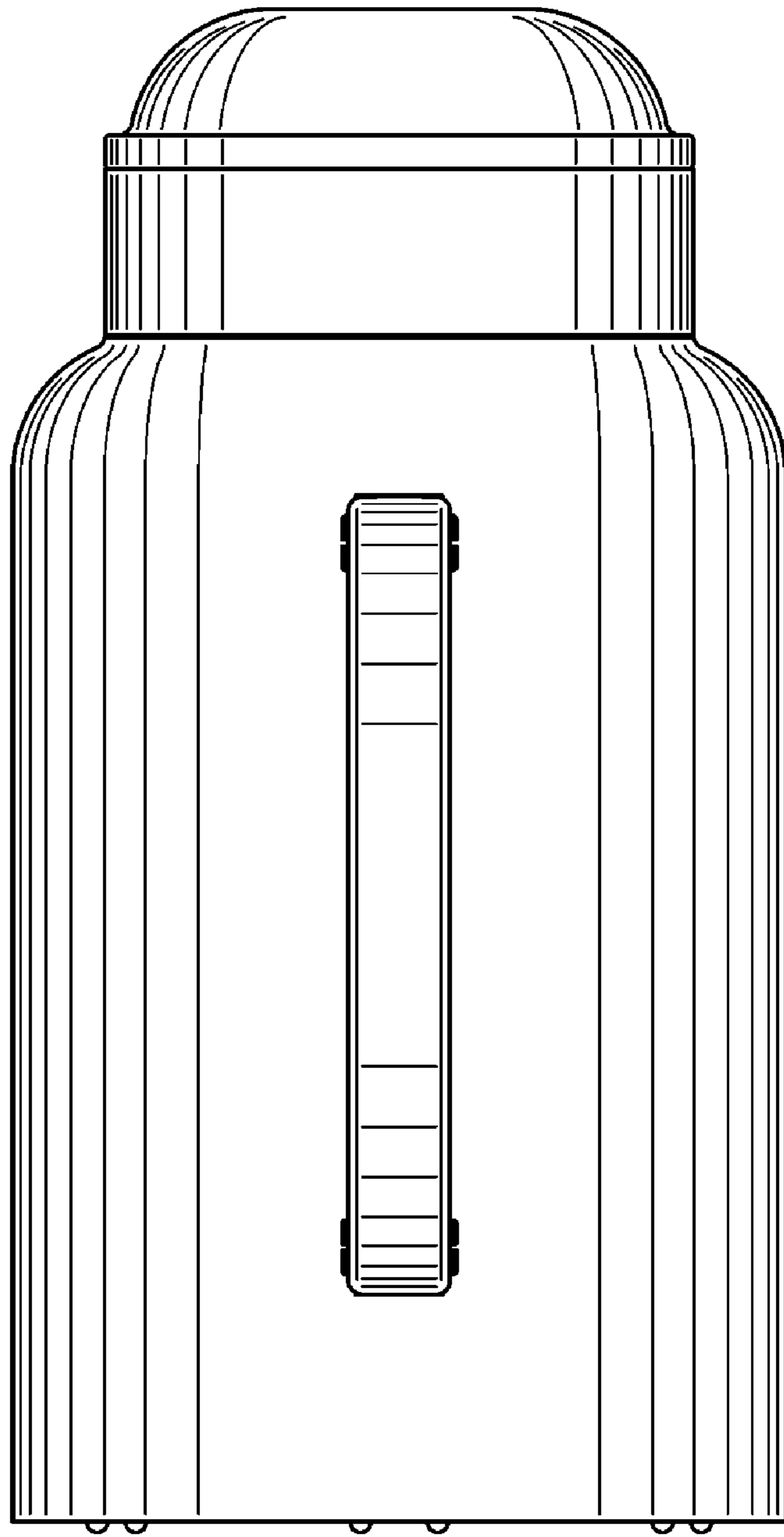


FIG. 11

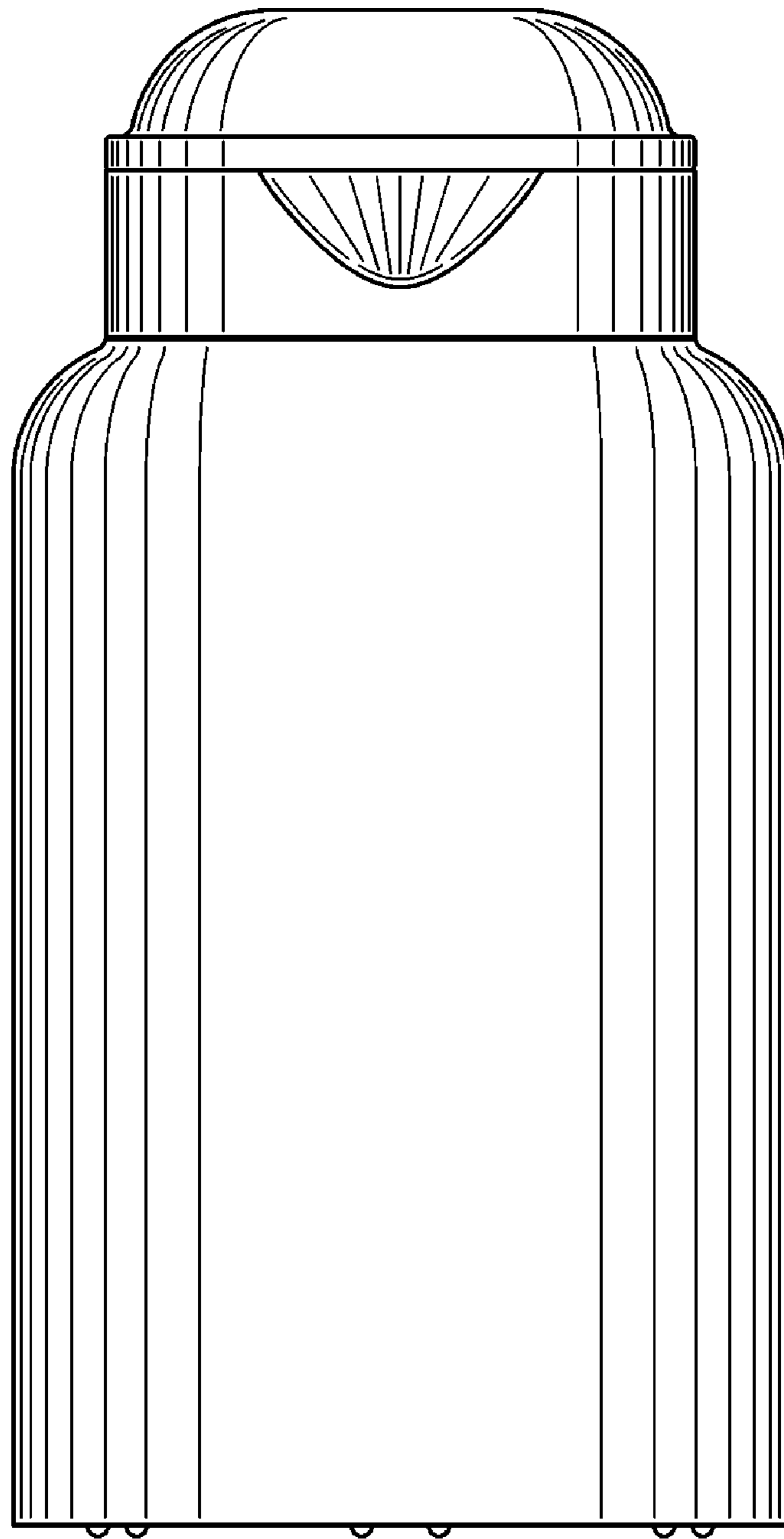


FIG. 12

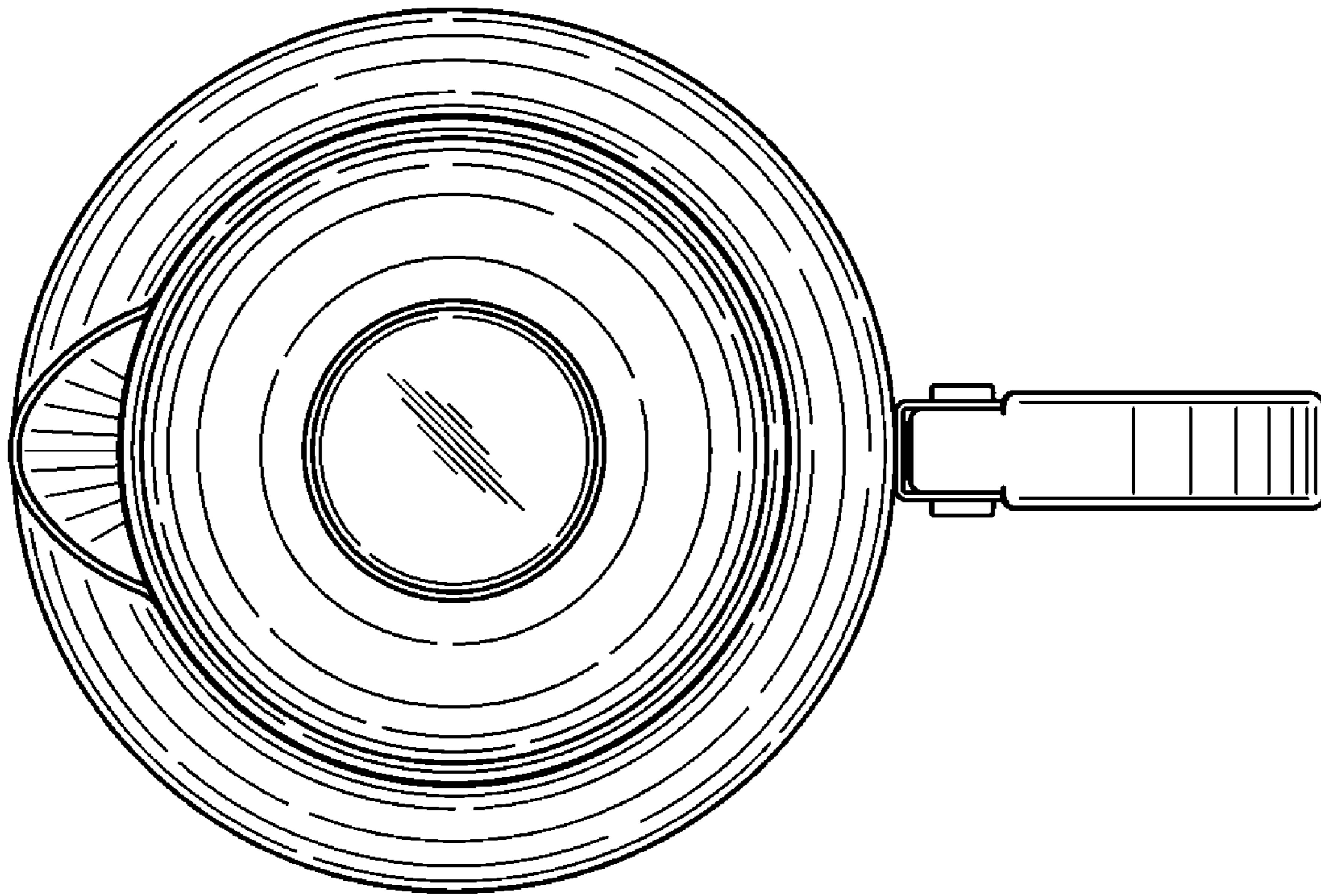


FIG. 13

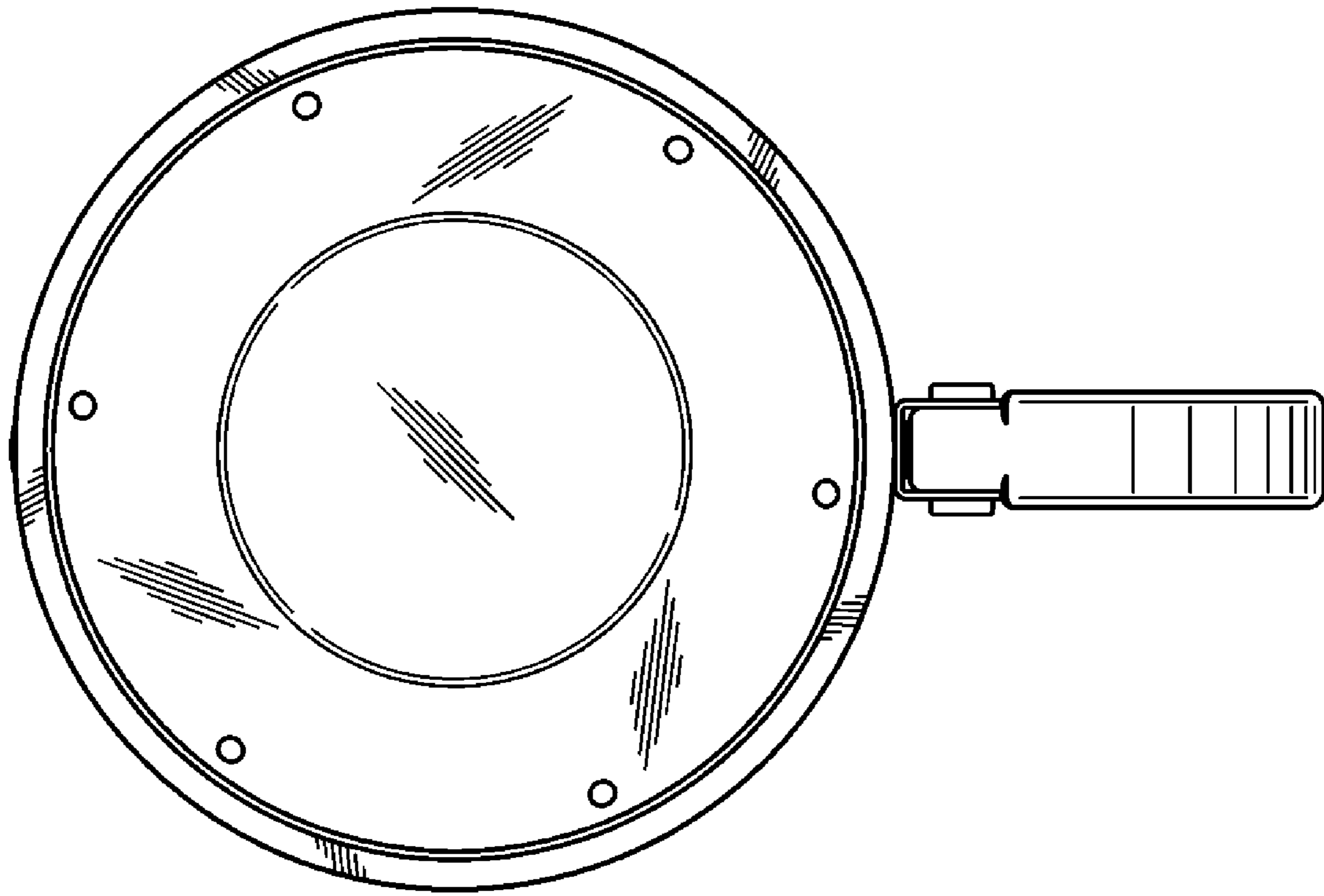


FIG. 14