



US00D584569S

(12) **United States Design Patent**
Buchman et al.

(10) **Patent No.:** **US D584,569 S**
(45) **Date of Patent:** **** Jan. 13, 2009**

- (54) **CONTAINER**
- (75) Inventors: **James E. Buchman**, Hortonville, WI (US); **Erica L. Gretz**, Appleton, WI (US)
- (73) Assignee: **Reynolds Consumer Products, Inc.**, Richmond, VA (US)
- (**) Term: **14 Years**
- (21) Appl. No.: **29/284,174**
- (22) Filed: **Aug. 31, 2007**
- (51) **LOC (9) Cl.** **07-07**
- (52) **U.S. Cl.** **D7/602**
- (58) **Field of Classification Search** D7/602, D7/612-615, 629, 538-542; D9/428-432; 220/780-806, 23.88; D10/46.2, 46.3
See application file for complete search history.

- 3,615,039 A 10/1971 Ward
- 3,653,575 A 4/1972 Schrepper
- 3,677,435 A 7/1972 Davis
- 3,737,093 A 6/1973 Amberg et al.
- 3,743,133 A 7/1973 Rathbun
- 3,759,416 A 9/1973 Constantine
- 3,773,207 A 11/1973 Dokoupil et al.
- 3,779,418 A 12/1973 Davis
- 3,797,694 A 3/1974 See et al.
- D235,621 S 7/1975 Cawrse
- D244,357 S 5/1977 Gardiner
- 4,027,776 A 6/1977 Douglas
- 4,058,247 A 11/1977 Florian
- 4,082,184 A 4/1978 Hammer
- D248,217 S 6/1978 Allen et al.
- 4,157,144 A 6/1979 Weiler et al.

(Continued)

Primary Examiner—Terry A Wallace
(74) *Attorney, Agent, or Firm*—Merchant & Gould P.C.

(56) **References Cited**

U.S. PATENT DOCUMENTS

- D100,515 S 7/1936 Fleisch
- 2,721,595 A 10/1955 Nichols
- 2,985,354 A 5/1961 Aldington
- D192,945 S 5/1962 Foss et al.
- 3,065,875 A 11/1962 Negoro
- 3,122,296 A 2/1964 Fotos
- 3,128,903 A 4/1964 Crisci
- 3,262,602 A 7/1966 McConnell et al.
- 3,281,001 A 10/1966 Stuart
- 3,349,941 A 10/1967 Wanderer
- 3,360,162 A 12/1967 Miles
- D210,168 S 2/1968 Plochman, Jr.
- 3,381,872 A 5/1968 Holder et al.
- 3,401,825 A 9/1968 Weiss
- 3,424,342 A 1/1969 Scopp et al.
- 3,520,441 A 7/1970 Fitzgerald
- 3,527,372 A 9/1970 Manning
- 3,539,552 A 11/1970 Mounts et al.
- D221,420 S 8/1971 Davis
- 3,613,938 A 10/1971 Westcott

(57) **CLAIM**

The ornamental design for container, as shown and described.

DESCRIPTION

- FIG. 1 is a top perspective view of a container showing our new design.
- FIG. 2 is a bottom perspective view thereof.
- FIG. 3 is a rear view thereof.
- FIG. 4 is a front view thereof.
- FIG. 5 is a top plan view thereof.
- FIG. 6 is a bottom plan view thereof.
- FIG. 7 is a left side view thereof; and,
- FIG. 8 is a right side view thereof.

1 Claim, 8 Drawing Sheets



US D584,569 S

U.S. PATENT DOCUMENTS							
4,241,841	A	12/1980	Boller	D415,684	S	10/1999	Reidenbach
4,279,358	A	7/1981	Jacobs	5,972,292	A	10/1999	DeMeo
4,306,664	A	12/1981	Bawden	5,992,679	A	11/1999	Porchia et al.
D266,906	S	11/1982	Guerette	D418,757	S	1/2000	Reidenbach
D267,703	S	1/1983	Chase et al.	D428,310	S	7/2000	Zettle et al.
4,399,926	A	8/1983	Eidels-Dubovoy	D428,777	S	8/2000	Hayes et al.
4,412,630	A	11/1983	Daenen	6,105,810	A	8/2000	Daenen et al.
4,444,332	A	4/1984	Widen et al.	6,135,286	A	10/2000	Strumor
4,471,878	A	9/1984	Davis et al.	6,164,484	A	12/2000	Fiore et al.
4,474,305	A	10/1984	Marco	6,168,044	B1	1/2001	Zettle et al.
4,504,009	A	3/1985	Boik et al.	6,170,696	B1	1/2001	Tucker et al.
D286,844	S	11/1986	Daenen et al.	D440,470	S	4/2001	Tucker et al.
D292,380	S	10/1987	Smith	D440,830	S	4/2001	Tucker et al.
4,727,998	A	3/1988	Simon	6,213,301	B1	4/2001	Landis et al.
4,765,506	A	8/1988	Fishman et al.	6,213,302	B1	4/2001	Sanders et al.
4,787,527	A	11/1988	Monetti	6,216,905	B1	4/2001	Mogard et al.
4,809,868	A	3/1989	Pomroy	6,217,136	B1	4/2001	Dorfman et al.
4,819,824	A	4/1989	Longbottom et al.	D442,484	S	5/2001	Maxwell et al.
D301,691	S	6/1989	Mobberley	D442,860	S	5/2001	Symons et al.
4,836,407	A	6/1989	Bruce et al.	6,230,924	B1	5/2001	Weiss et al.
4,844,263	A	7/1989	Hadtke	D443,184	S	6/2001	Maxwell et al.
4,854,472	A	* 8/1989	Semersky 220/783	D443,484	S	6/2001	Maxwell et al.
D305,002	S	12/1989	Hayes et al.	D443,798	S	6/2001	Tucker et al.
D305,003	S	12/1989	Hayes et al.	D445,649	S	7/2001	Maxwell et al.
4,917,261	A	4/1990	Borst	D445,650	S	7/2001	Maxwell et al.
D312,400	S	11/1990	Schwaikert	6,257,434	B1	7/2001	Lizzio
4,974,742	A	12/1990	Farrell et al.	6,260,729	B1	7/2001	Mitchell et al.
D313,353	S	1/1991	Hart et al.	6,260,731	B1	7/2001	Cummings
4,986,438	A	1/1991	Borst	D446,077	S	8/2001	Tucker et al.
D315,503	S	3/1991	Hart et al.	D446,450	S	8/2001	Zettle et al.
5,012,928	A	5/1991	Proffitt et al.	6,273,258	B1	8/2001	Piacenza
5,040,682	A	8/1991	Palisin, Jr. et al.	6,276,555	B1	8/2001	Edwards
D319,978	S	9/1991	Wolff	D447,382	S	9/2001	Tucker et al.
D320,744	S	10/1991	Palisin, Jr.	D448,288	S	9/2001	Zettle et al.
D321,652	S	11/1991	Palisin, Jr.	D448,297	S	9/2001	Sindermann
5,065,889	A	11/1991	Conti	6,283,298	B1	9/2001	Seidler
D322,032	S	12/1991	Palisin, Jr.	D448,991	S	10/2001	Zettle et al.
D322,033	S	12/1991	Palisin, Jr. et al.	D449,495	S	10/2001	Tucker et al.
D327,849	S	7/1992	Armstrong	6,305,546	B1	10/2001	Saunders et al.
D328,014	S	7/1992	DeCoster et al.	D450,983	S	11/2001	Tucker et al.
D329,595	S	9/1992	Kung	6,325,234	B1	12/2001	Lagaspi
5,143,219	A	9/1992	Yates, Jr.	6,343,709	B1	2/2002	DeForrest et al.
5,147,059	A	9/1992	Olsen et al.	6,349,820	B1	2/2002	Kelley et al.
D339,525	S	9/1993	Morris, Sr.	6,364,112	B1	4/2002	Pitschka
5,293,997	A	3/1994	Hustad et al.	6,364,152	B1	4/2002	Poslinski et al.
5,297,688	A	3/1994	Beck et al.	6,382,440	B1	5/2002	Brant et al.
5,310,074	A	5/1994	Jochem et al.	D458,138	S	6/2002	Fuchs et al.
5,344,021	A	9/1994	Rose	D462,012	S	8/2002	Manderfield, Jr.
5,348,181	A	9/1994	Smit et al.	6,439,412	B2	8/2002	Luch
D351,795	S	10/1994	Ogden	D462,880	S	9/2002	Maxwell et al.
5,356,026	A	10/1994	Andress et al.	D463,281	S	9/2002	Druitt
5,388,714	A	2/1995	Zutler	D465,154	S	11/2002	O'Brien
5,390,797	A	2/1995	Smalley et al.	D466,299	S	12/2002	Zimmerman
5,489,036	A	2/1996	Arkins	D471,813	S	3/2003	Shenkar
D369,942	S	5/1996	Ahern, Jr.	D474,377	S	5/2003	Holsinger
5,542,234	A	8/1996	Wyslotsky et al.	D475,923	S	6/2003	Renz
D374,178	S	10/1996	Valls et al.	D476,898	S	7/2003	Schuller et al.
5,624,051	A	4/1997	Ahern, Jr. et al.	6,637,611	B2	10/2003	Luch
D384,864	S	* 10/1997	Carlson D7/602	D503,667	S	4/2005	Keefer et al.
D390,109	S	2/1998	Tucker et al.	D506,359	S	6/2005	Zettle et al.
D392,187	S	3/1998	King	D507,155	S	* 7/2005	Gosen et al. D7/629
D394,184	S	5/1998	Demore	D507,937	S	8/2005	Dais et al.
5,758,791	A	6/1998	Mangla	D508,187	S	* 8/2005	Dais et al. D7/602
5,758,793	A	6/1998	Forsyth et al.	D508,188	S	8/2005	Zettle et al.
5,806,710	A	9/1998	Shiffer et al.	D510,523	S	10/2005	Pitman et al.
5,823,345	A	10/1998	Nask et al.	6,983,859	B2	* 1/2006	Azzarello 220/288
5,894,953	A	4/1999	Ramirez	D517,322	S	3/2006	Zettle et al.
5,896,993	A	4/1999	Nask et al.	D519,327	S	* 4/2006	Tucker et al. D7/629
D411,714	S	6/1999	Wilson et al.	D519,373	S	4/2006	Pitman et al.
D411,741	S	6/1999	Wilson et al.	D542,591	S	* 5/2007	Carlson D7/354
5,938,055	A	8/1999	Philips et al.	D545,618	S	7/2007	Zettle et al.

* cited by examiner

FIG. 1

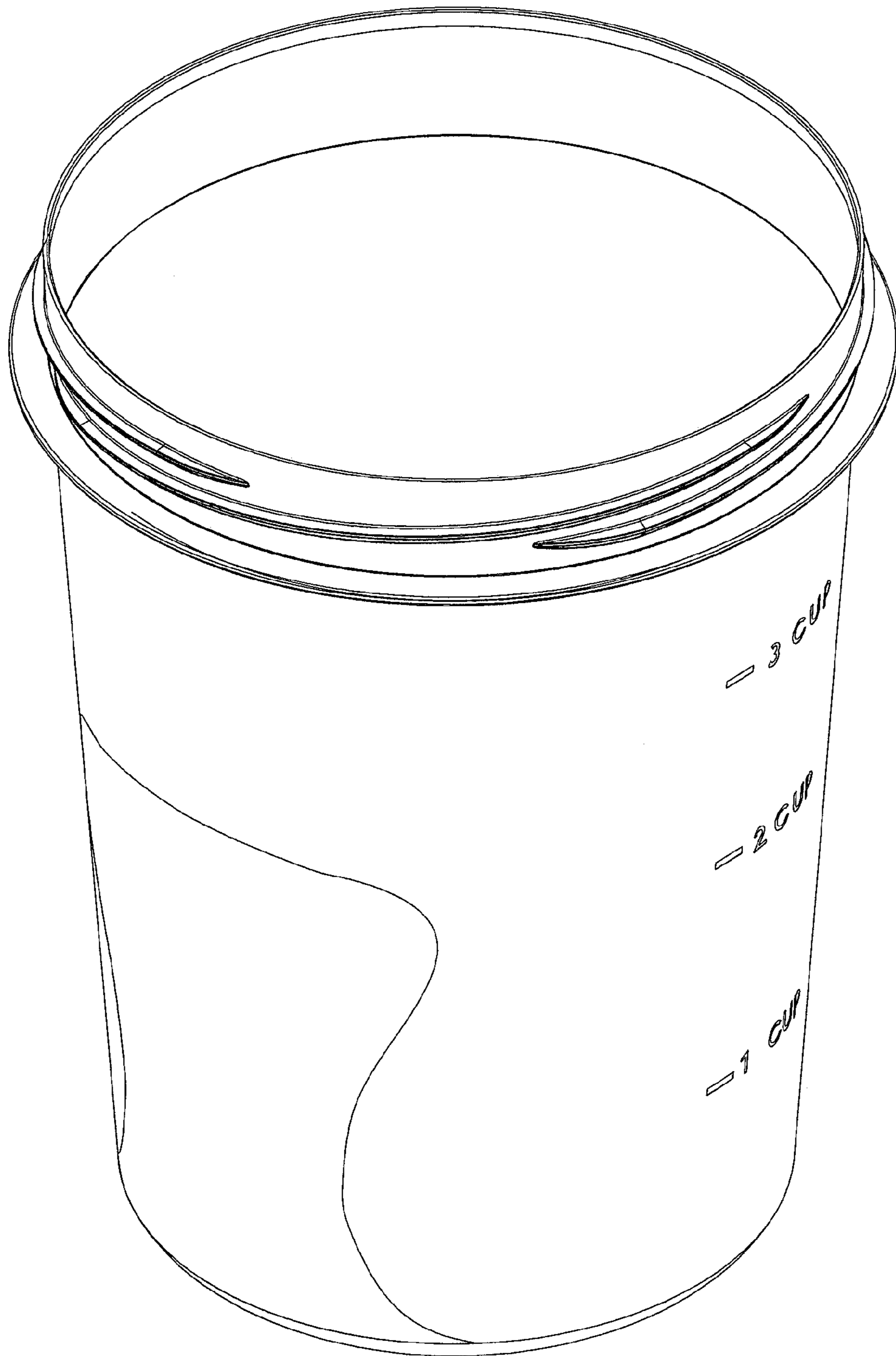


FIG. 2

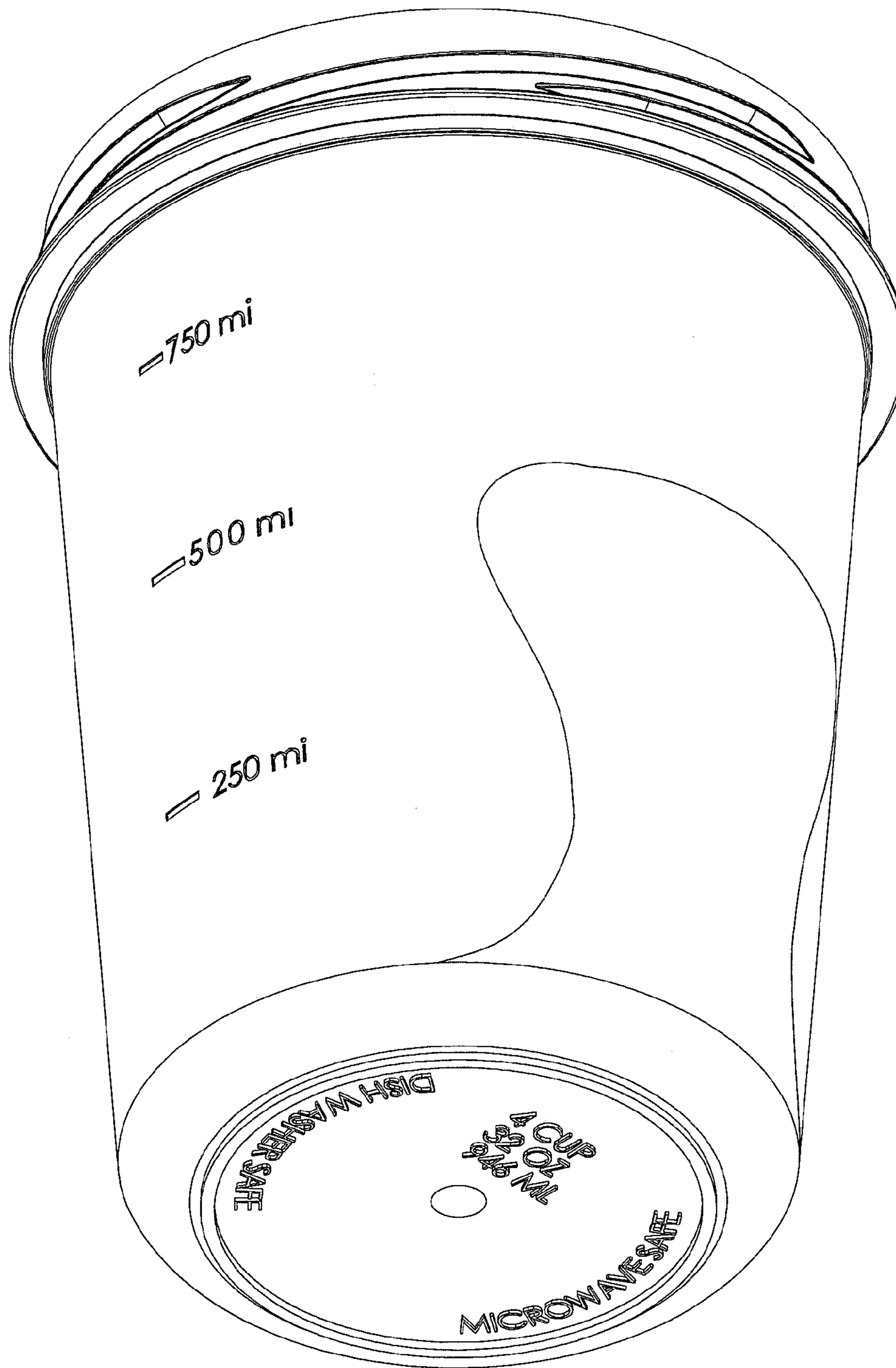


FIG. 3

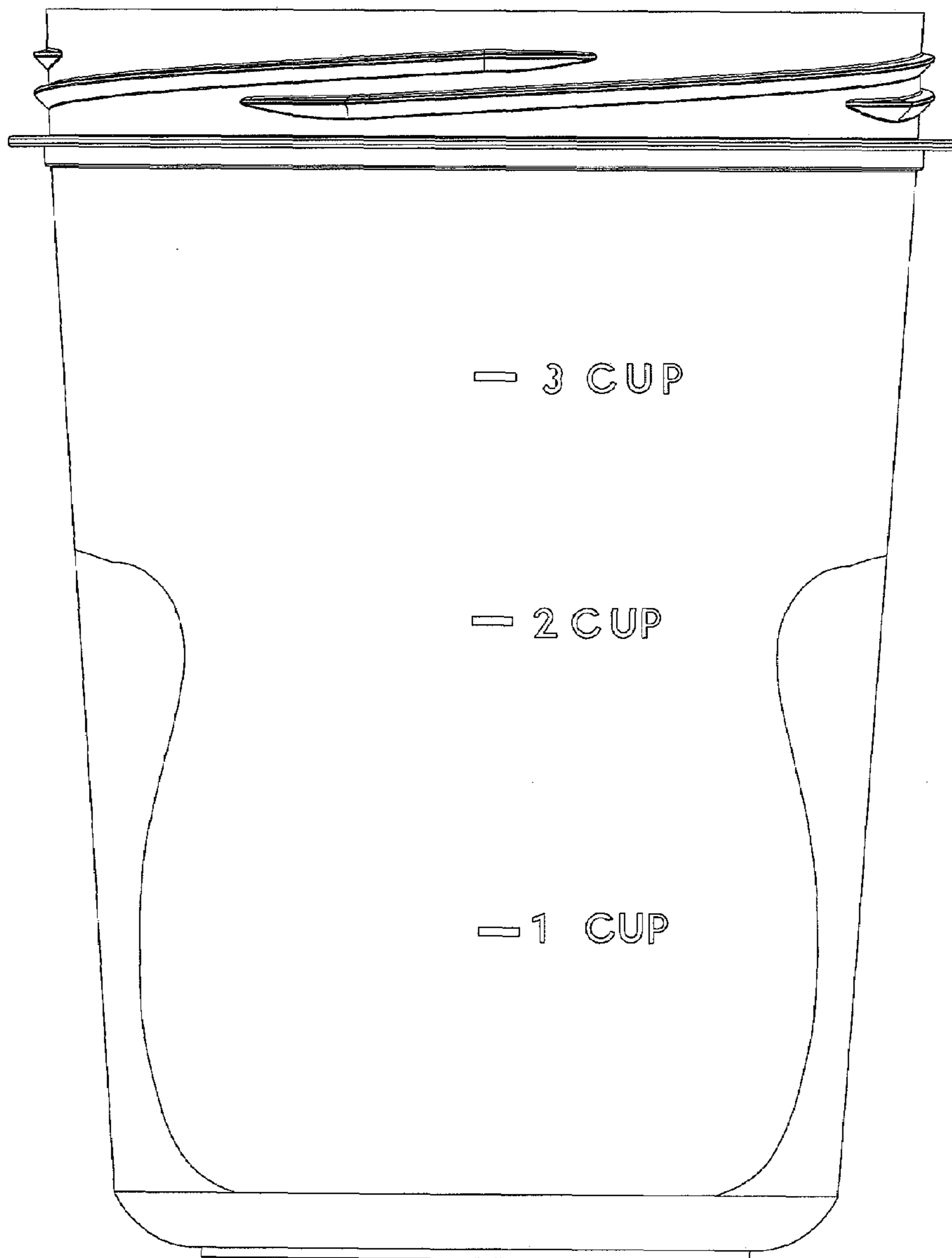


FIG. 4

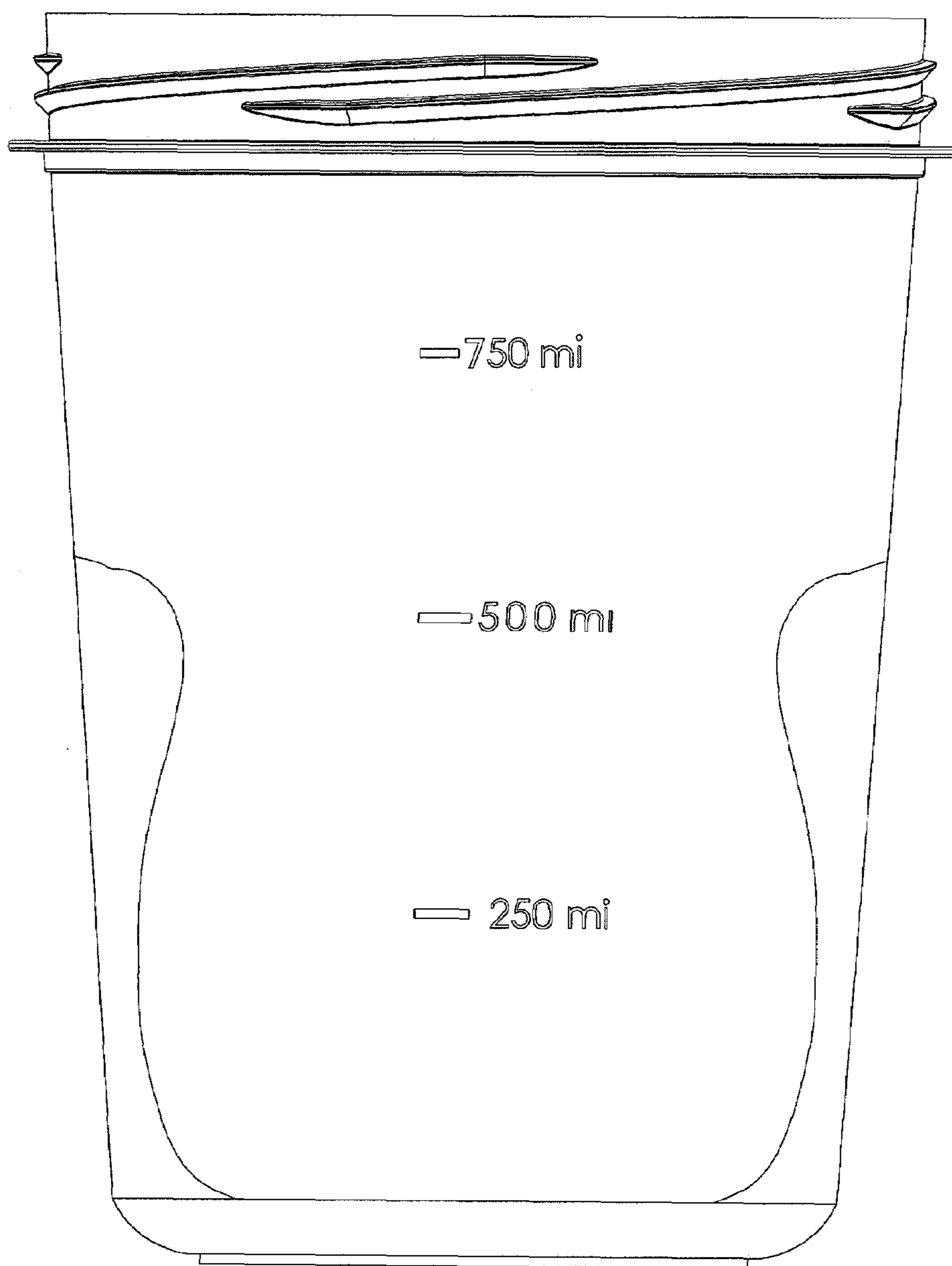


FIG. 5

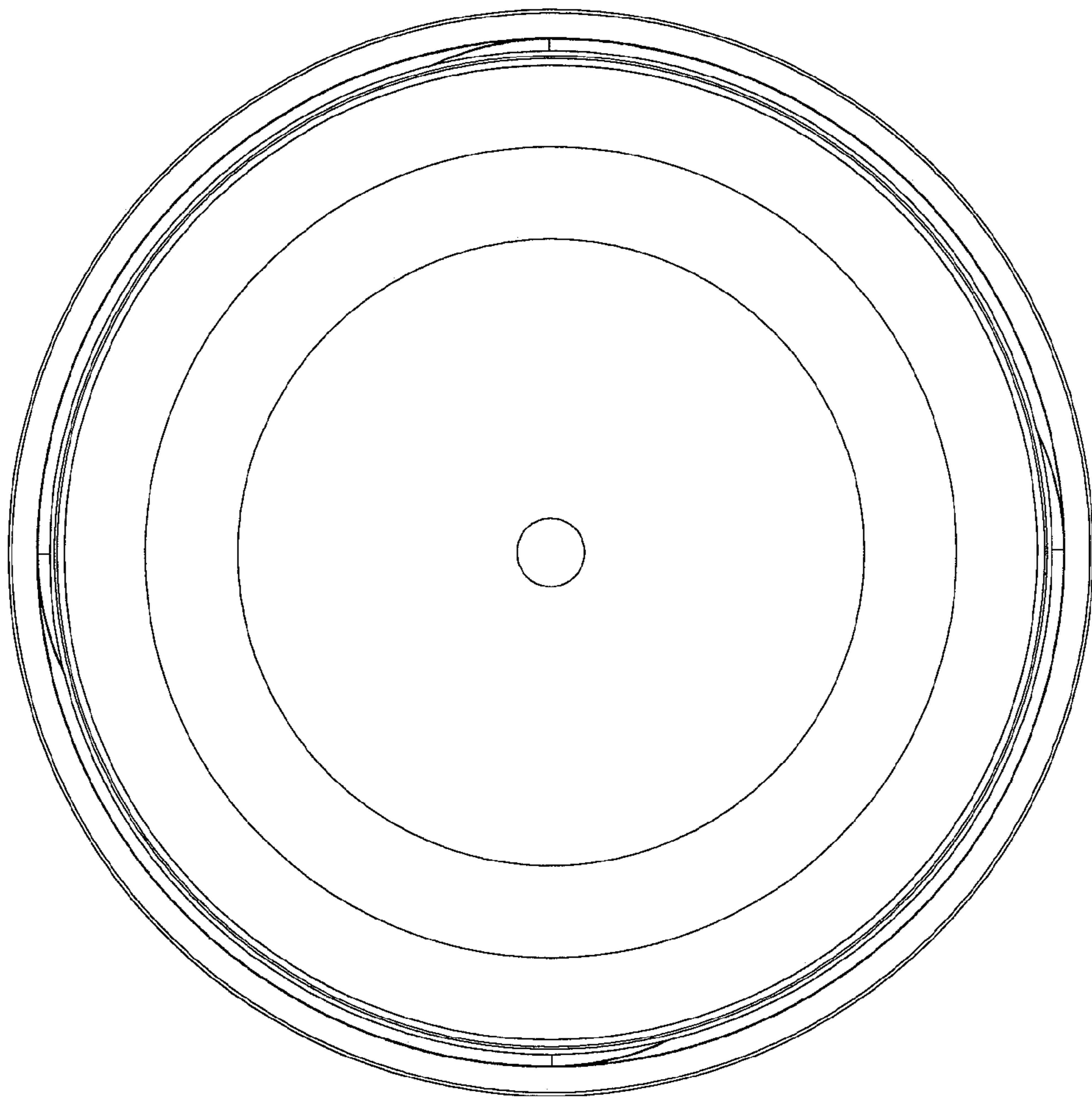


FIG. 6

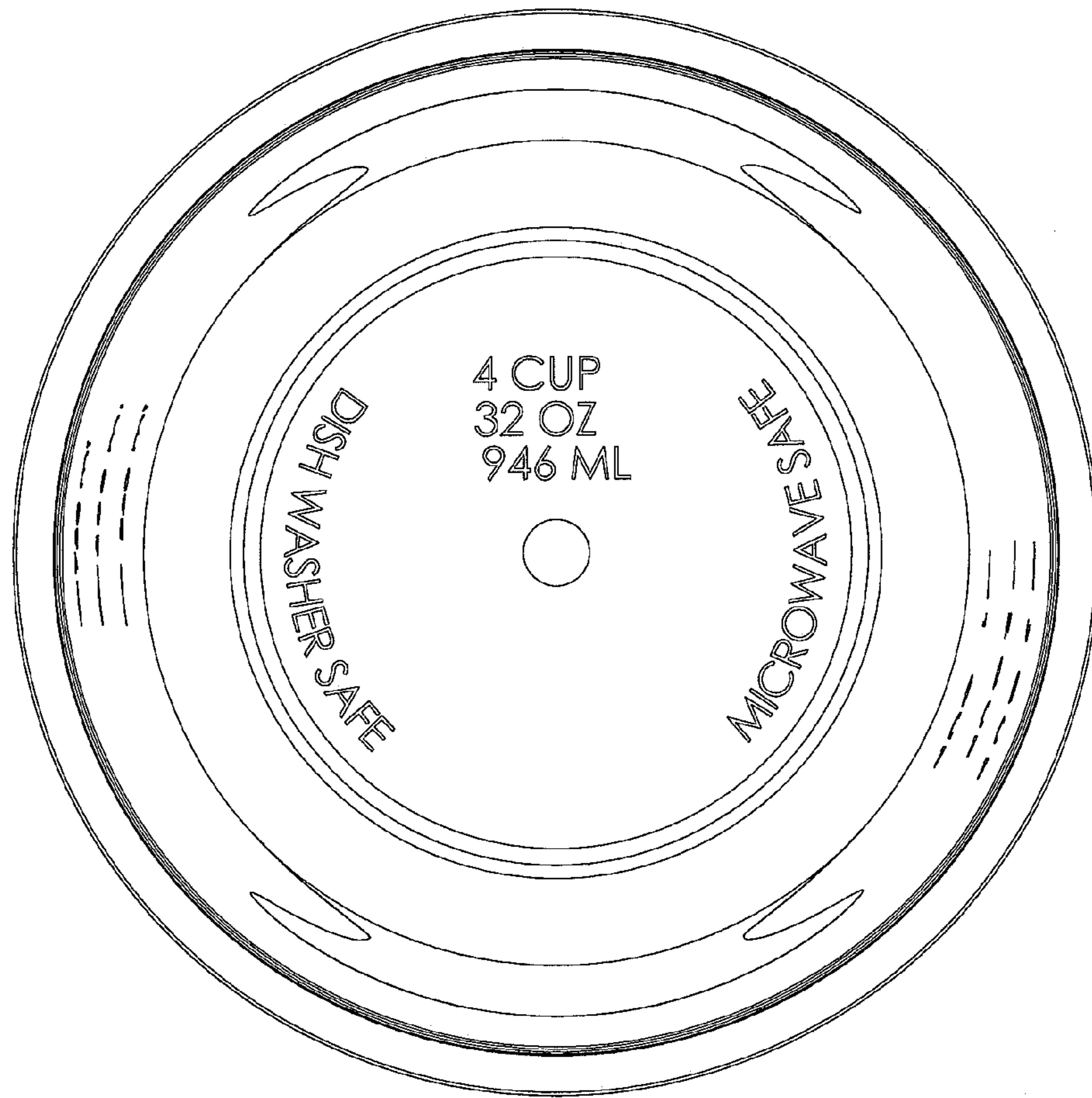


FIG. 7

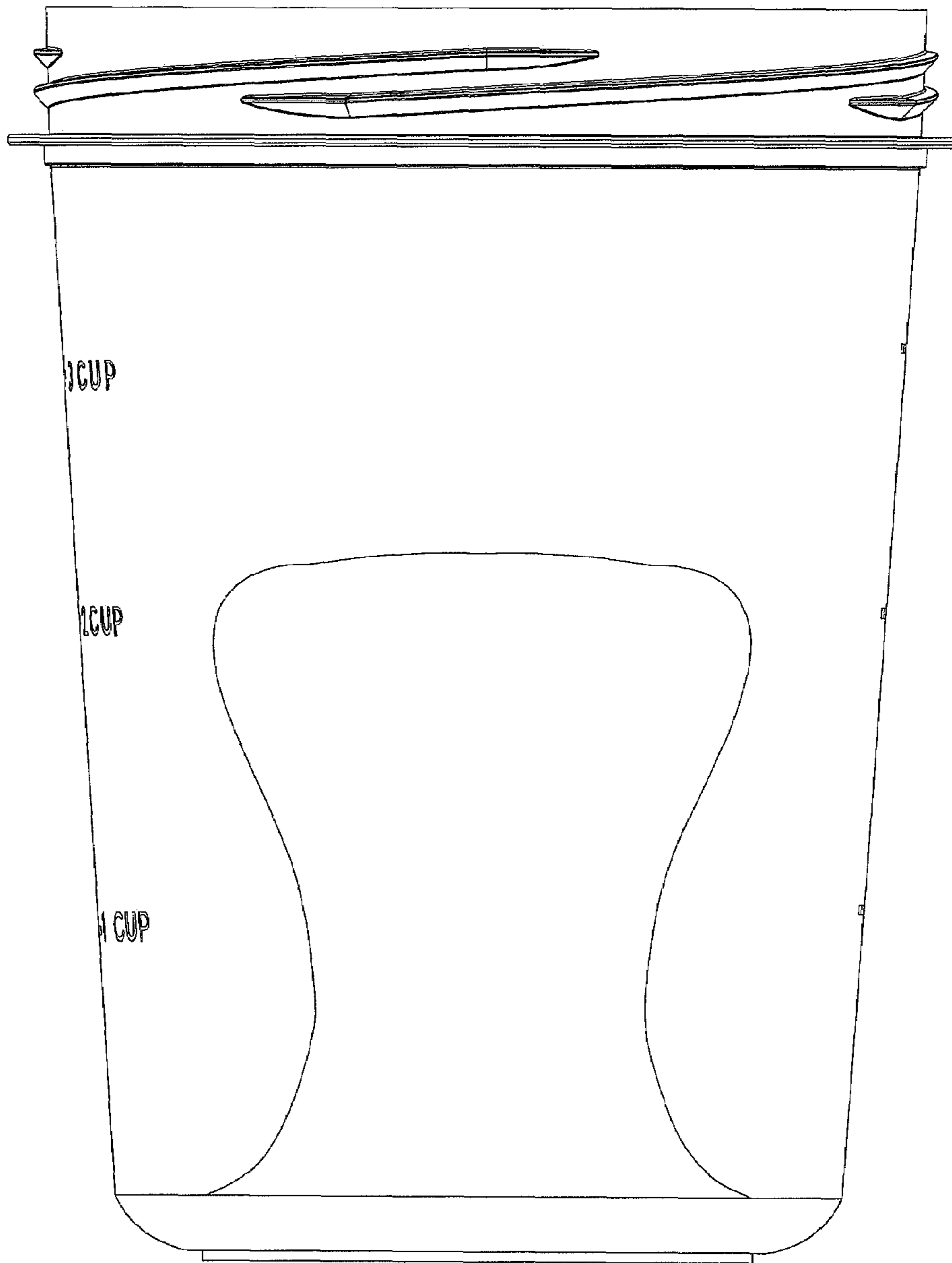


FIG. 8

