



US00D584566S

(12) **United States Design Patent**  
**Fuller**

(10) **Patent No.:** **US D584,566 S**

(45) **Date of Patent:** **\*\* Jan. 13, 2009**

(54) **TOP FOR BEVERAGE CONTAINER**

(76) **Inventor:** **Mark A. Fuller**, P.O. Box 216,  
Sandpoint, ID (US) 83864

(\*\*) **Term:** **14 Years**

(21) **Appl. No.:** **29/295,000**

(22) **Filed:** **Feb. 7, 2008**

(51) **LOC (9) Cl.** ..... **07-01**

(52) **U.S. Cl.** ..... **D7/396.2; D7/396.1; D7/387**

(58) **Field of Classification Search** ..... D7/624.2,  
D7/396.2, 388, 900, 396.1, 391, 601, 602,  
D7/608, 541, 510, 511; D9/444, 443, 447,  
D9/435; 220/703, 254.9, 719, 797, 711,  
220/713, 254; 222/542

See application file for complete search history.

(56) **References Cited**

**U.S. PATENT DOCUMENTS**

D160,491	S	*	10/1950	Goldman	.....	D9/443
3,273,745	A	*	9/1966	Stec	.....	220/231
3,655,099	A	*	4/1972	Hazard	.....	222/153.06
D271,284	S	*	11/1983	Bainton	.....	D9/438
4,881,668	A	*	11/1989	Kitterman et al.	.....	222/482
5,244,113	A	*	9/1993	Stymiest	.....	220/710.5
D416,755	S	*	11/1999	Trombly	.....	D7/392.1
D453,446	S	*	2/2002	Bodum	.....	D7/510
D476,892	S	*	7/2003	Martin et al.	.....	D9/449
6,752,287	B1	*	6/2004	Lin	.....	220/254.9

D494,425	S	*	8/2004	Segura	.....	D7/608
D547,605	S	*	7/2007	Edelstein et al.	.....	D7/392.1
D562,065	S	*	2/2008	Smaldone	.....	D7/396.2

\* cited by examiner

*Primary Examiner*—Philip S Hyder

*Assistant Examiner*—Cynthia Underwood

(74) *Attorney, Agent, or Firm*—Bergman & Jeckle PLLC

(57) **CLAIM**

The ornamental design for top for beverage container, as shown.

**DESCRIPTION**

FIG. 1 is an isometric view of top for beverage container in an open position showing my design, the broken line showing of the beverage container has been provided to show environmental setting, and forms no part of the claimed design.

FIG. 2 is an enlarged isometric top and side view of my top for beverage container in a closed condition, showing my design;

FIG. 3 is an orthographic top view thereof;

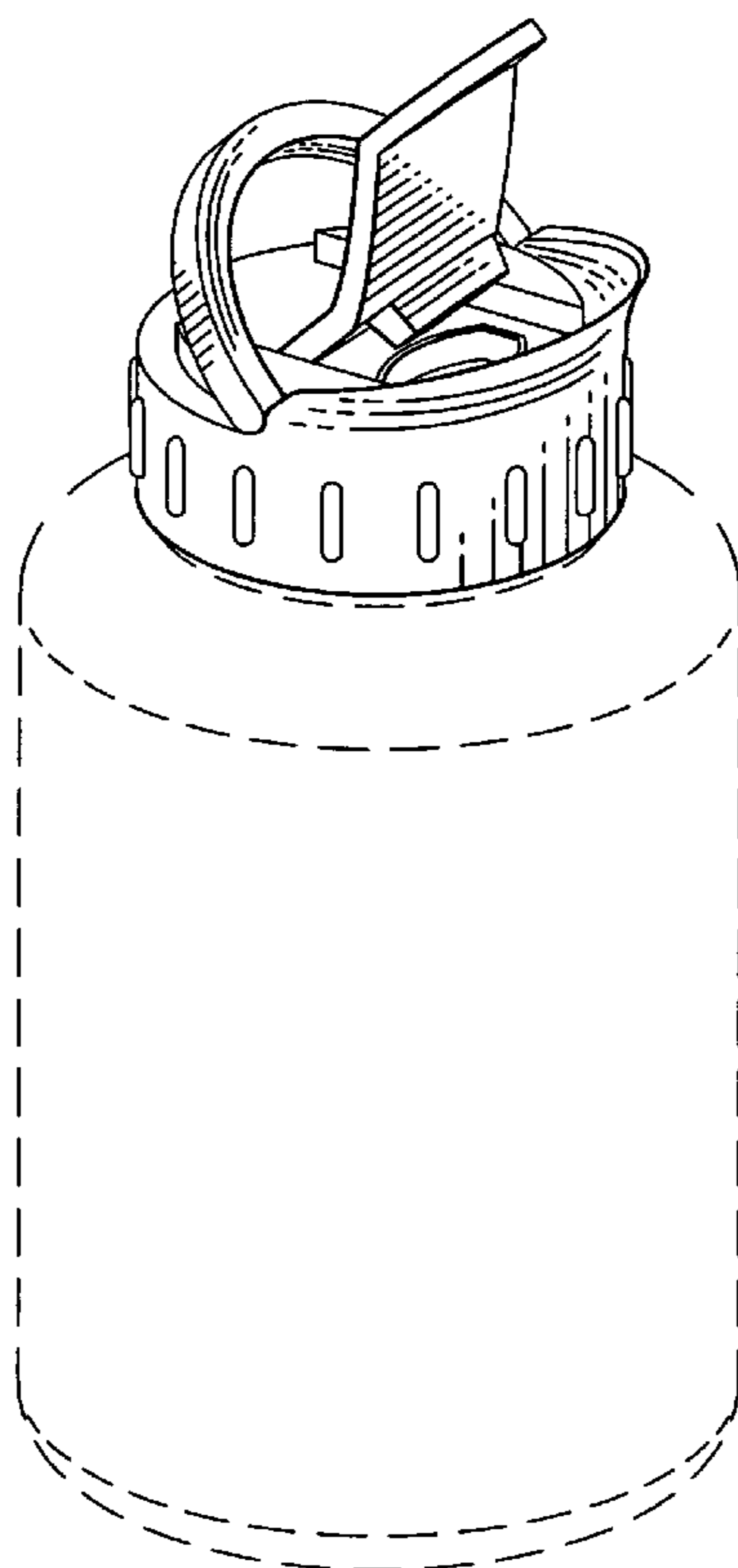
FIG. 4 is an orthographic side view thereof;

FIG. 5 is an orthographic back view thereof;

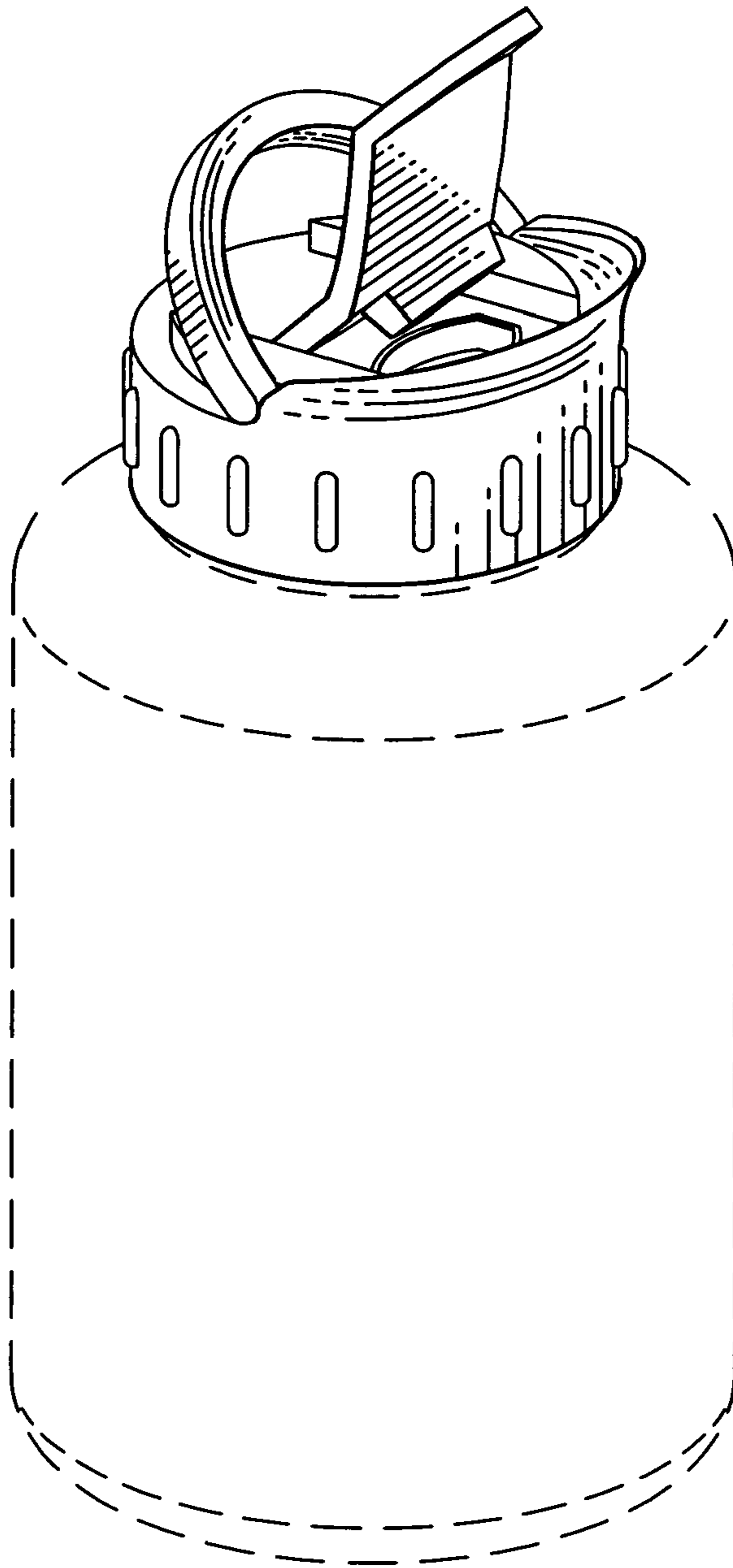
FIG. 6 is an orthographic front view thereof; and,

FIG. 7 is an orthographic bottom view thereof. The broken lines are for environmental purposes and form no part of the claimed design.

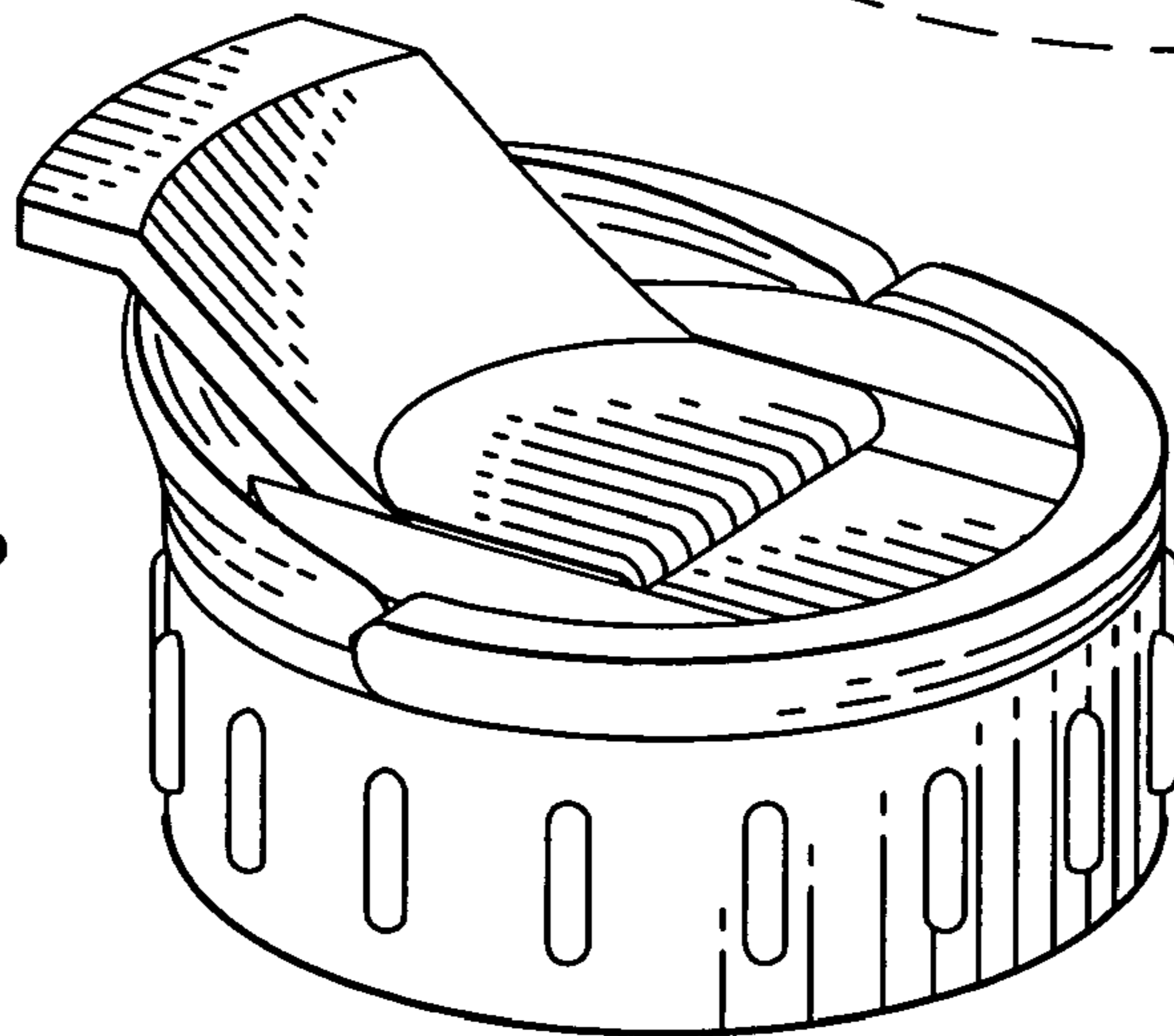
**1 Claim, 2 Drawing Sheets**

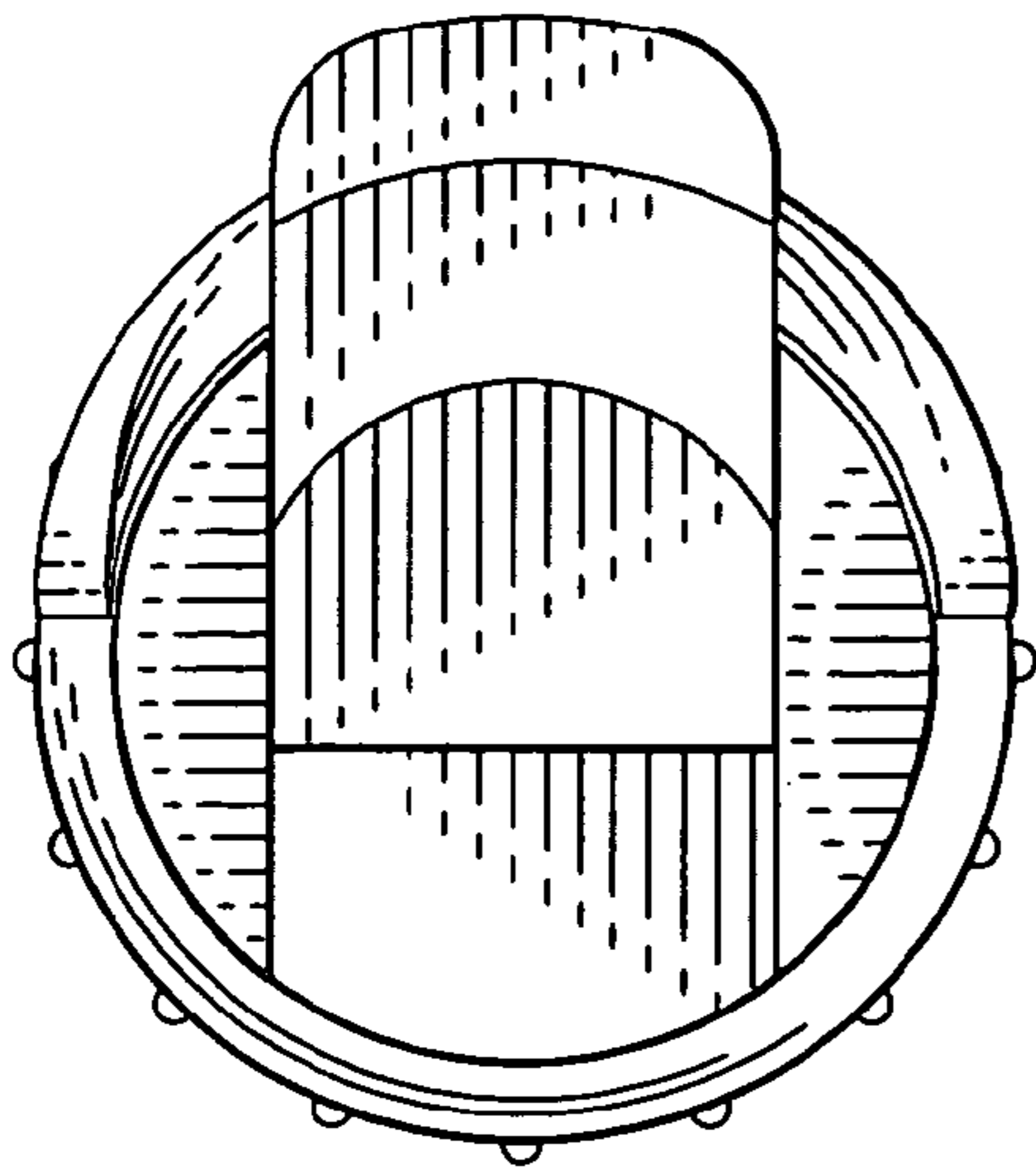


*Fig. 1*

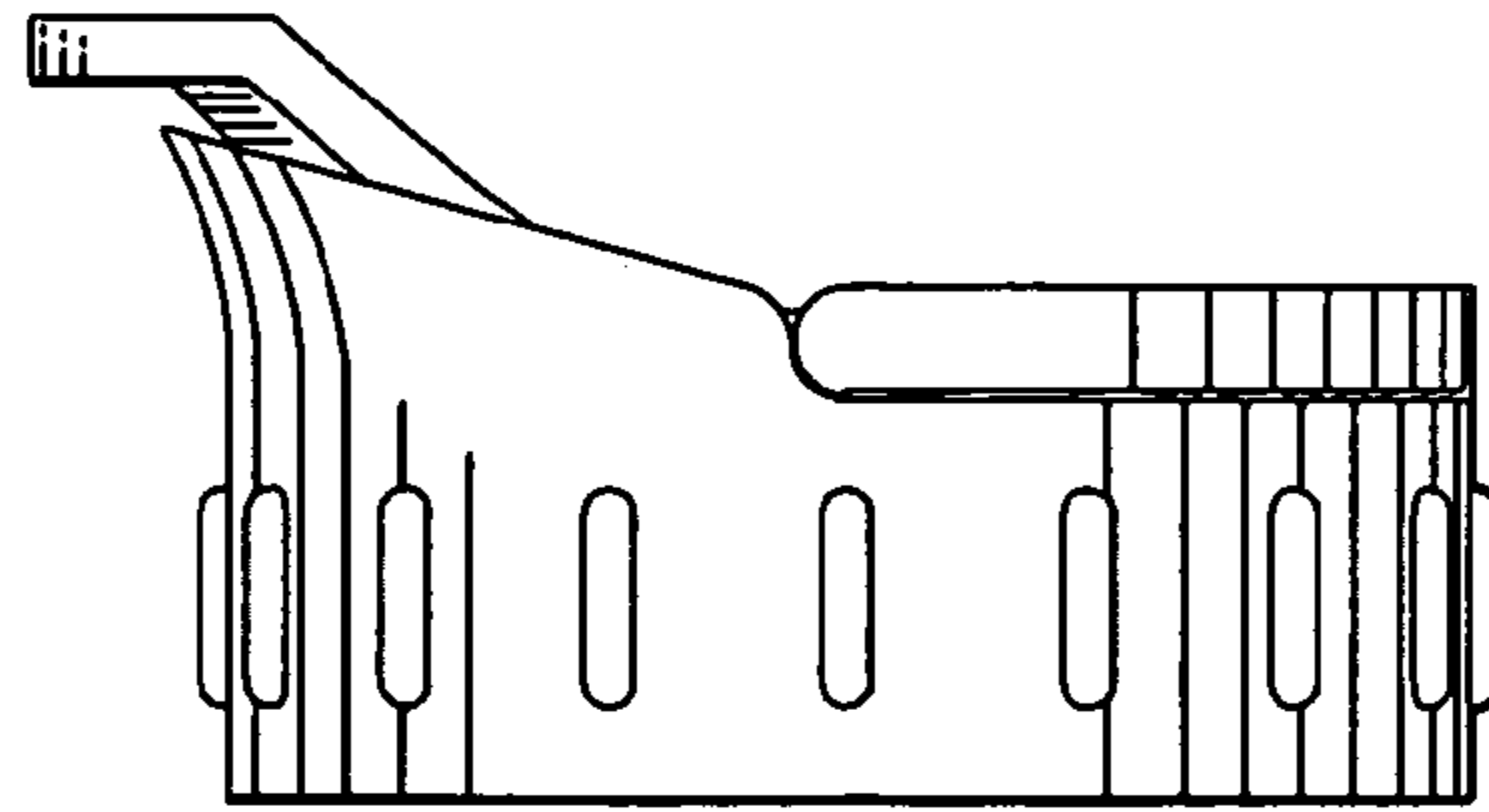


*Fig. 2*

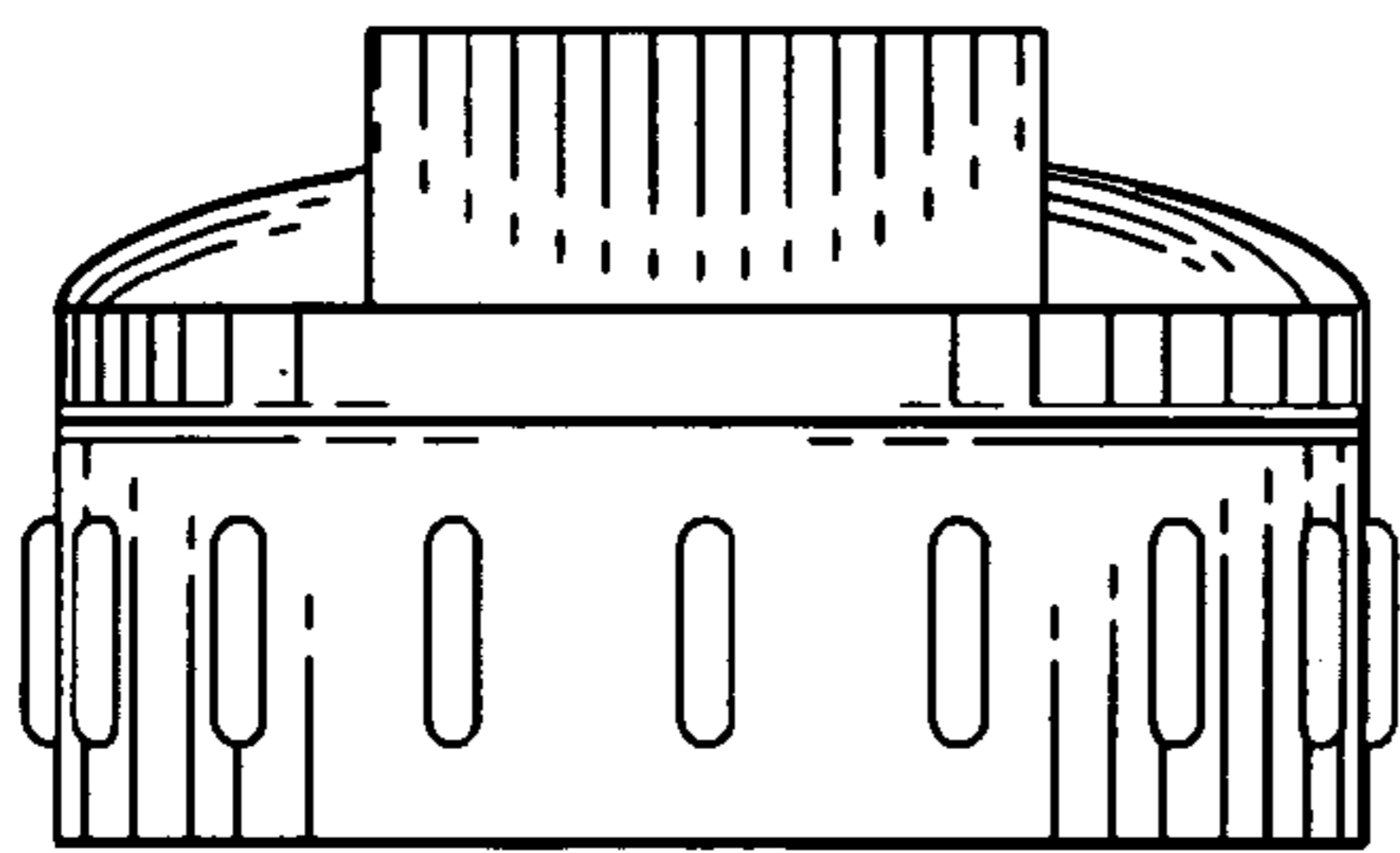




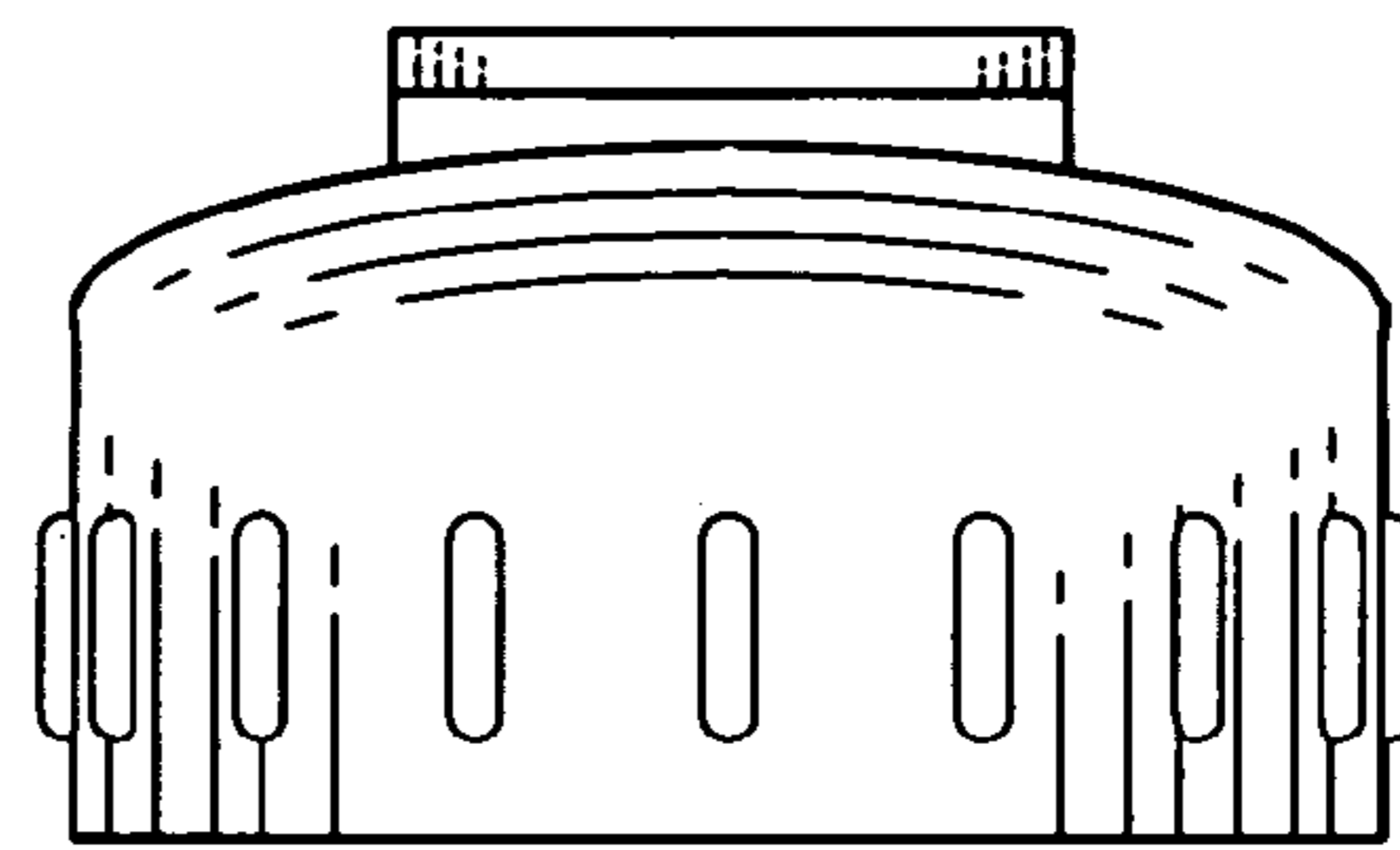
*Fig. 3*



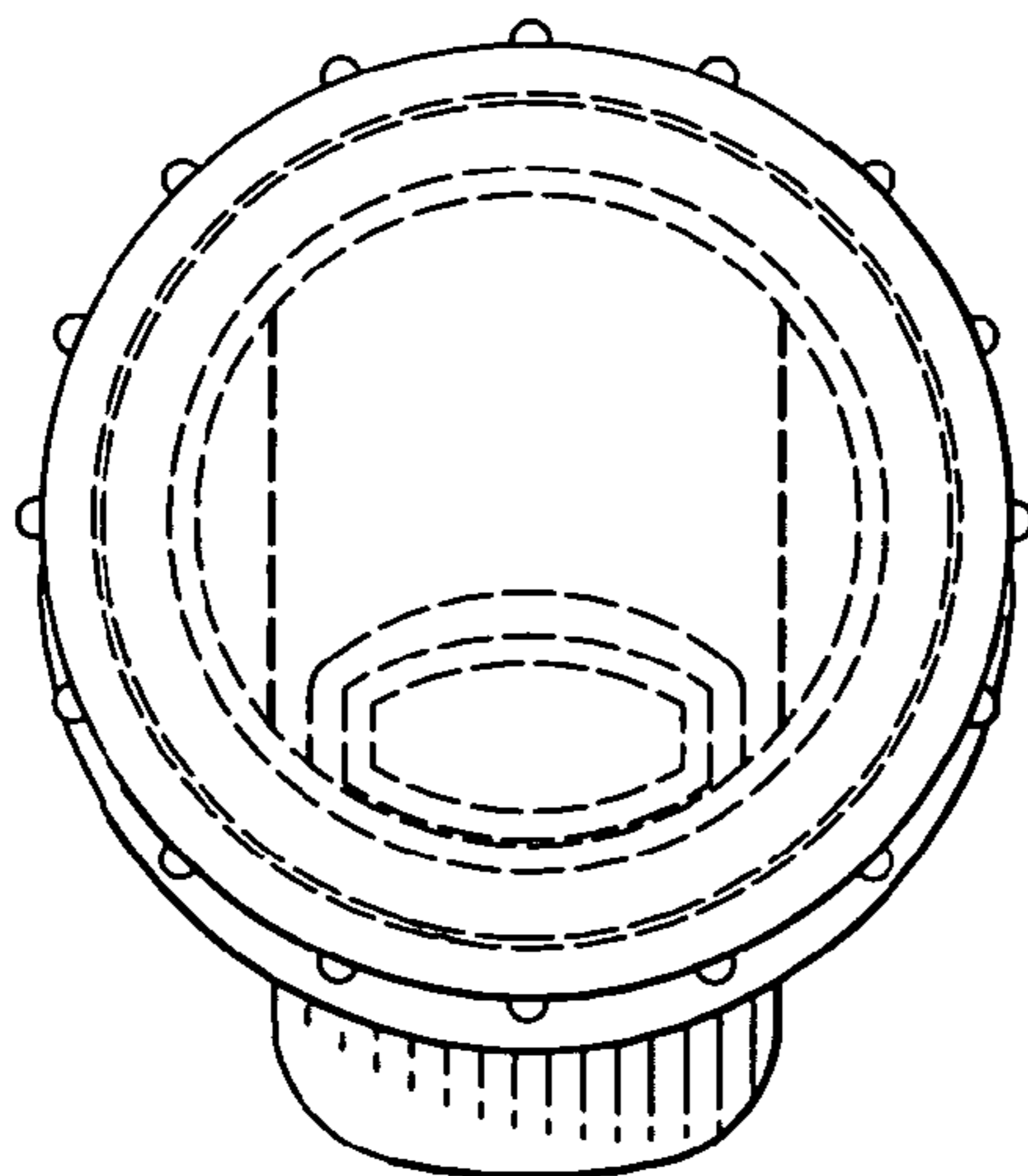
*Fig. 4*



*Fig. 5*



*Fig. 6*



*Fig. 7*