



US00D584565S

(12) **United States Design Patent**  
**Goodman et al.**

(10) **Patent No.:** **US D584,565 S**  
(45) **Date of Patent:** **\*\* Jan. 13, 2009**

(54) **TRIVET**

(75) Inventors: **Sheldon H. Goodman**, Solon, OH (US);  
**Omer I. Sazir**, Cleveland, OH (US)

(73) Assignee: **Spectrum Diversified Designs, Inc.**,  
Streetsboro, OH (US)

(\*\*) Term: **14 Years**

(21) Appl. No.: **29/306,387**

(22) Filed: **Apr. 9, 2008**

(51) **LOC (9) Cl.** ..... **07-01**

(52) **U.S. Cl.** ..... **D7/388; D7/387**

(58) **Field of Classification Search** ..... D7/387,  
D7/388, 403, 409, 704, 213, 408, 624.1, 602;  
D27/126; D26/149; 47/41.11; 126/30; 249/77;  
D6/313, 403, 455, 464, 487, 499; 99/440,  
99/419, 450; 108/156

See application file for complete search history.

(56) **References Cited**

**U.S. PATENT DOCUMENTS**

681,936 A \* 9/1901 Soady ..... 99/440  
1,527,856 A \* 2/1925 France ..... 47/41.11  
3,679,467 A \* 7/1972 Betzer ..... 428/450

D322,735 S \* 12/1991 Morton ..... D7/400  
D399,386 S \* 10/1998 Goodman ..... D7/388  
5,934,185 A \* 8/1999 Sonnier ..... 99/440  
D420,831 S \* 2/2000 Rehmert et al. .... D6/403  
D434,598 S \* 12/2000 Goodman et al. .... D7/388  
D479,093 S \* 9/2003 Ancona ..... D7/388  
D479,783 S \* 9/2003 Ancona ..... D7/388  
6,655,084 B1 \* 12/2003 Missry ..... 47/71  
D545,616 S \* 7/2007 Goodman et al. .... D7/387  
D551,018 S \* 9/2007 Goodman et al. .... D7/388

\* cited by examiner

*Primary Examiner*—Philip S Hyder

*Assistant Examiner*—Cynthia Underwood

(74) *Attorney, Agent, or Firm*—Pearne & Gordon LLP

(57) **CLAIM**

The ornamental design for a trivet, as shown and described.

**DESCRIPTION**

FIG. 1 is a perspective view of a trivet, showing our new design;

FIG. 2 is a front elevational view thereof, the side and rear elevational views being identical; and,

FIG. 3 is a top plan view thereof.

**1 Claim, 1 Drawing Sheet**

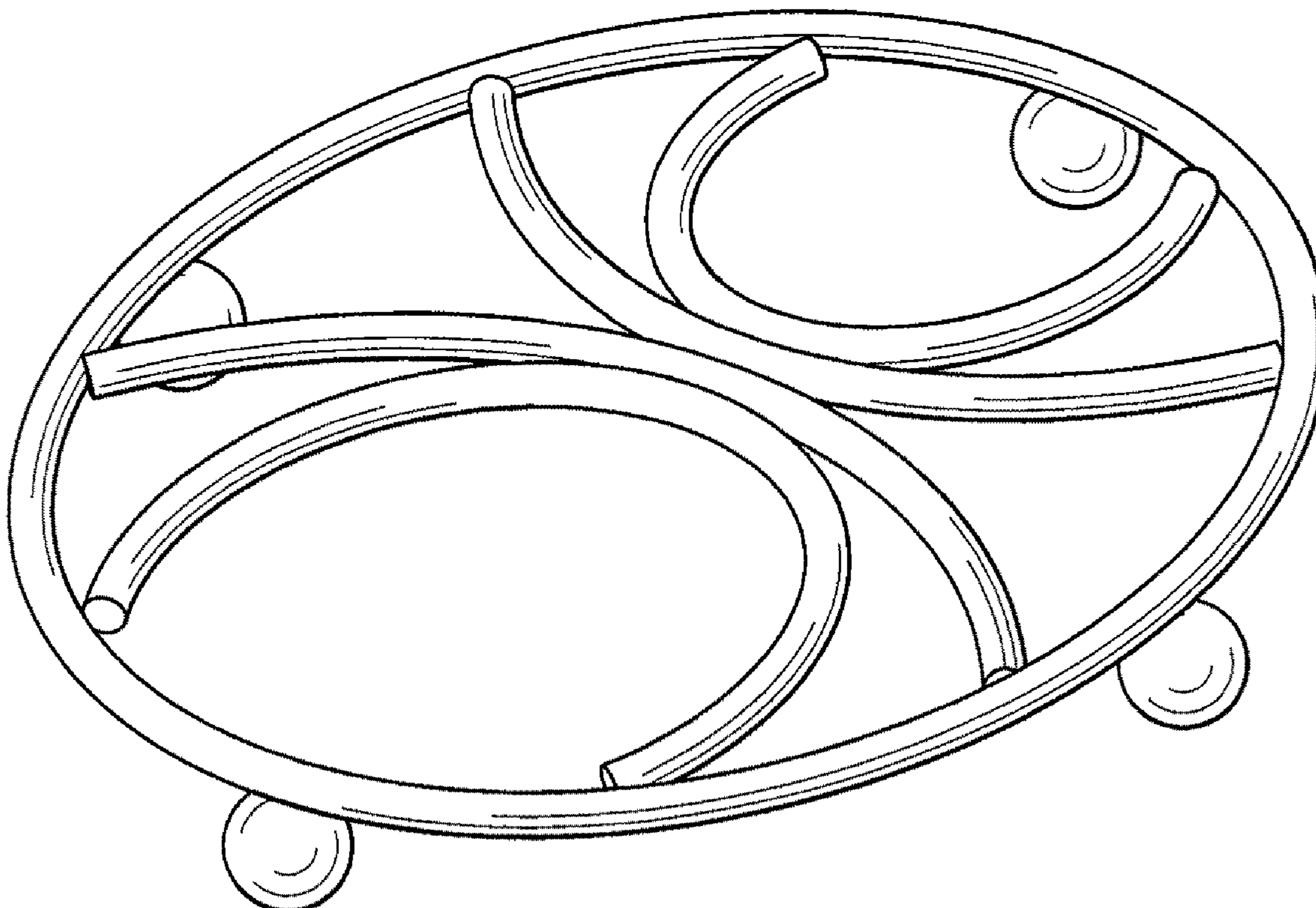


FIG. 1

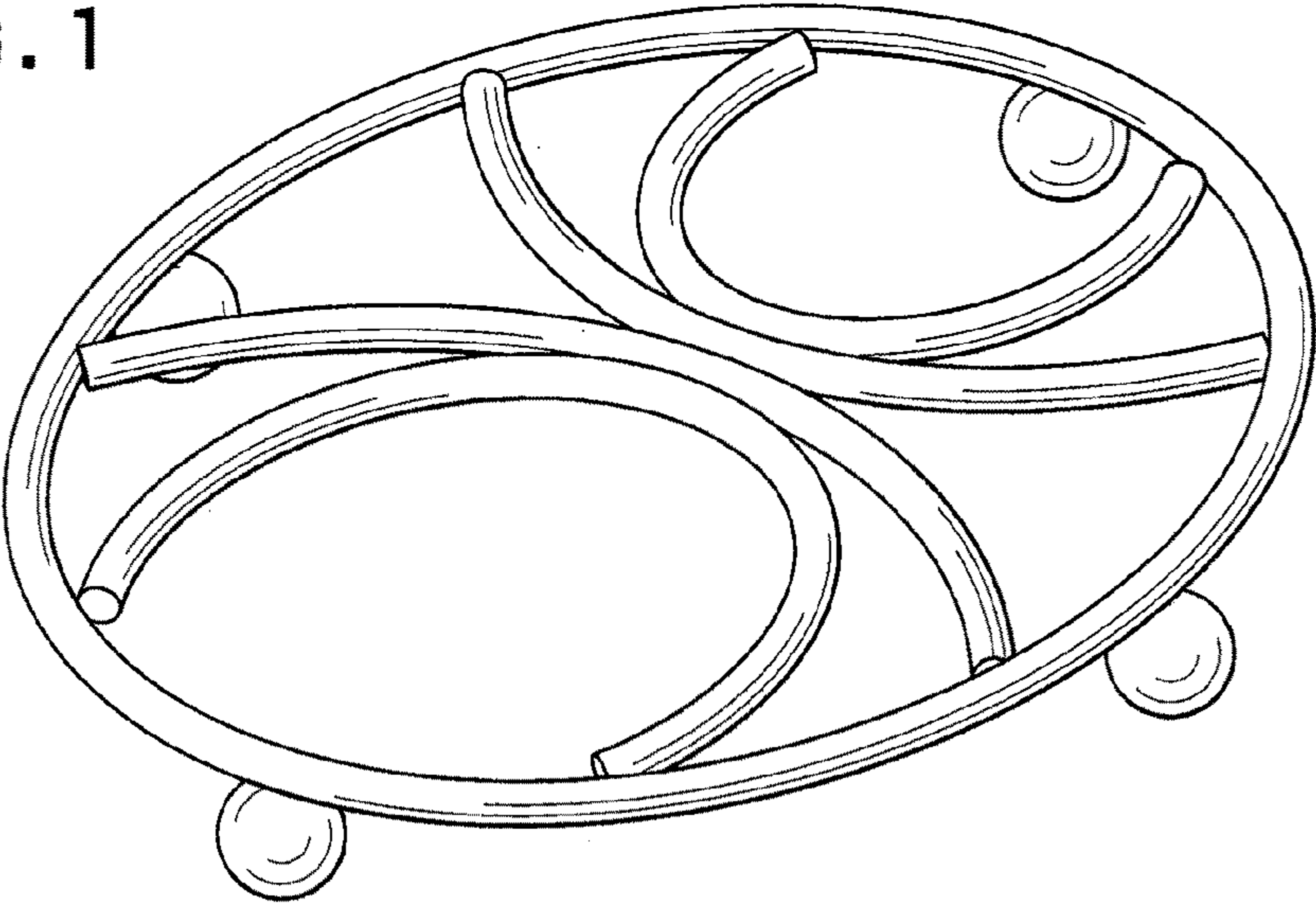


FIG. 2

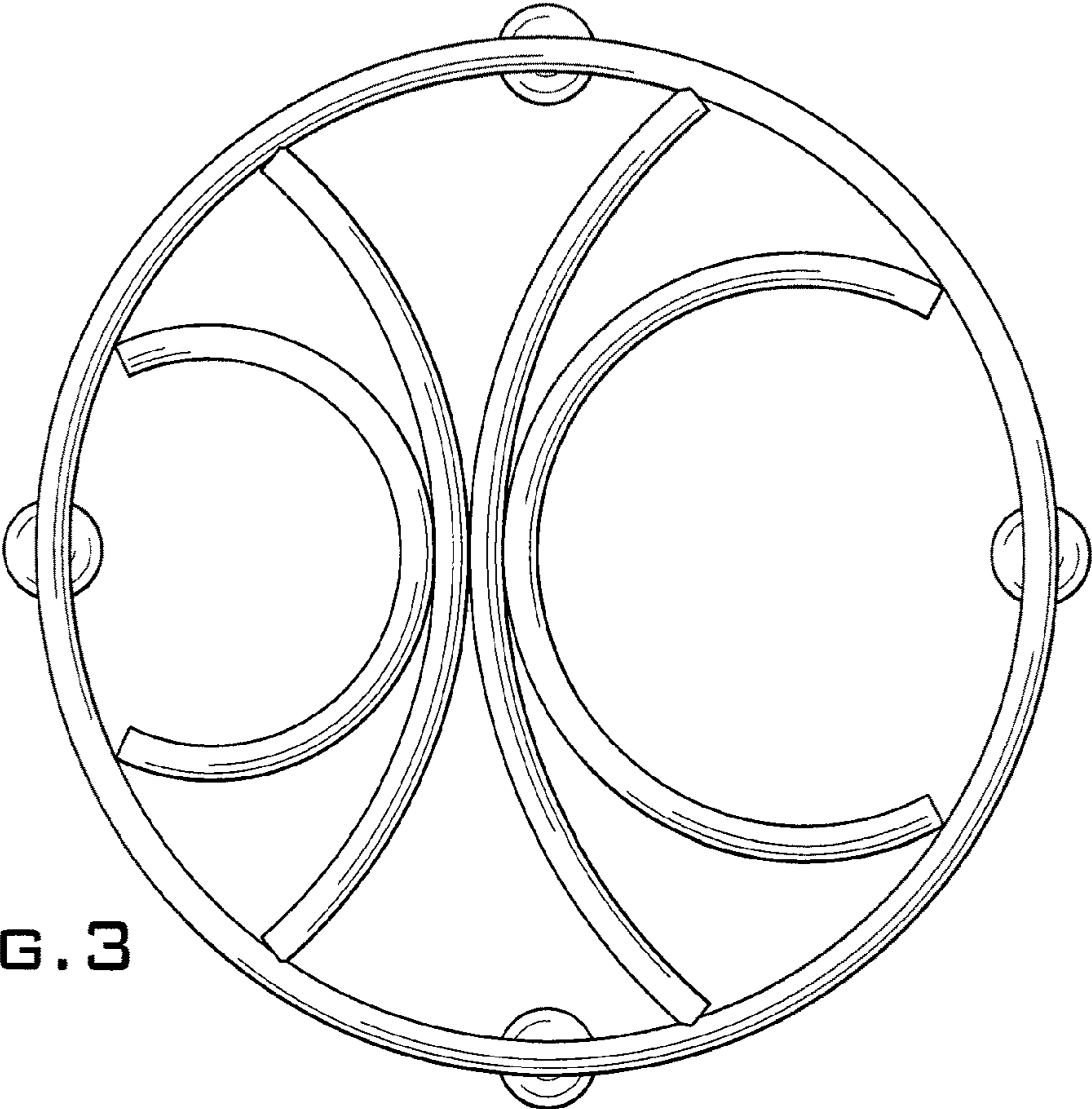


FIG. 3