



US00D584564S

(12) **United States Design Patent**  
**Karasch**

(10) **Patent No.:** **US D584,564 S**  
(45) **Date of Patent:** **\*\* Jan. 13, 2009**

(54) **BEVERAGE INFUSION SPIRAL**

D506,109 S \* 6/2005 Deal et al. .... D7/683  
6,966,250 B2 \* 11/2005 Eustis ..... 99/277.1

(76) Inventor: **Russ D. Karasch**, 34235 County Road  
9, Avon, MN (US) 56310

\* cited by examiner

(\*\*) Term: **14 Years**

*Primary Examiner*—Terry A Wallace  
(74) *Attorney, Agent, or Firm*—Albert W. Watkins

(21) Appl. No.: **29/303,816**

(22) Filed: **Feb. 18, 2008**

(57) **CLAIM**

**Related U.S. Application Data**

I claim the ornamental design for a beverage infusion spiral,  
as shown and described.

(63) Continuation of application No. 10/884,607, filed on  
Jul. 2, 2004, now Pat. No. 7,357,069.

**DESCRIPTION**

(51) **LOC (9) Cl.** ..... **07-99**

FIG. 1 is a front plan view showing my new design of inde-  
terminate length;

(52) **U.S. Cl.** ..... **D7/368**

FIG. 2 is a right side view thereof; and,

(58) **Field of Classification Search** ..... D7/368,  
D7/669; 99/277, 277.1, 277.2; 426/422,  
426/330.4; D23/209, 210; D13/184, 199  
See application file for complete search history.

FIG. 3 is a perspective view showing my new design of  
indeterminate length.

(56) **References Cited**

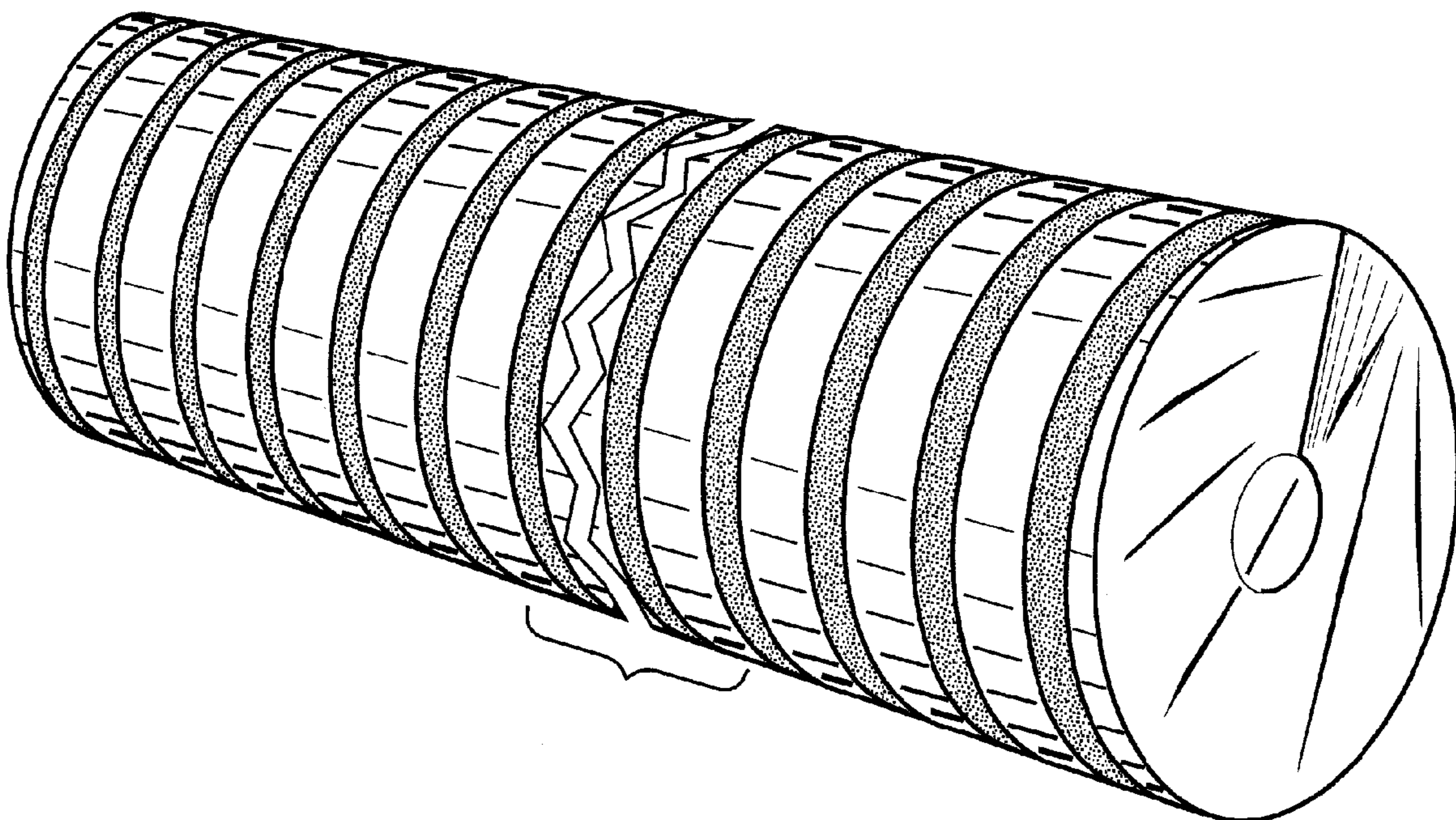
The left side view is identical to the right side view of FIG. 2,  
though it is understood that the orientation of the termination  
of the spiral will change depending upon finished length.

**U.S. PATENT DOCUMENTS**

The bottom, front, and rear views are identical to the top view,  
though it is understood that the angular orientation of the  
spiral terminations at the extreme ends of the spiral will  
change depending upon view angle and finished length, the  
differences which are apparent without the need for addi-  
tional views thereto.

2,114,009	A *	4/1938	Ramsay	.....	99/277.1
2,203,229	A *	6/1940	Nilsson et al.	.....	99/277.1
4,322,446	A *	3/1982	Heess et al.	.....	426/330.4
4,558,639	A *	12/1985	Hojnoski	.....	99/277.1
D372,624	S *	8/1996	Chein	.....	D7/300.2
D422,678	S *	4/2000	King	.....	D23/209
D476,058	S *	6/2003	Norton	.....	D23/209

**1 Claim, 3 Drawing Sheets**



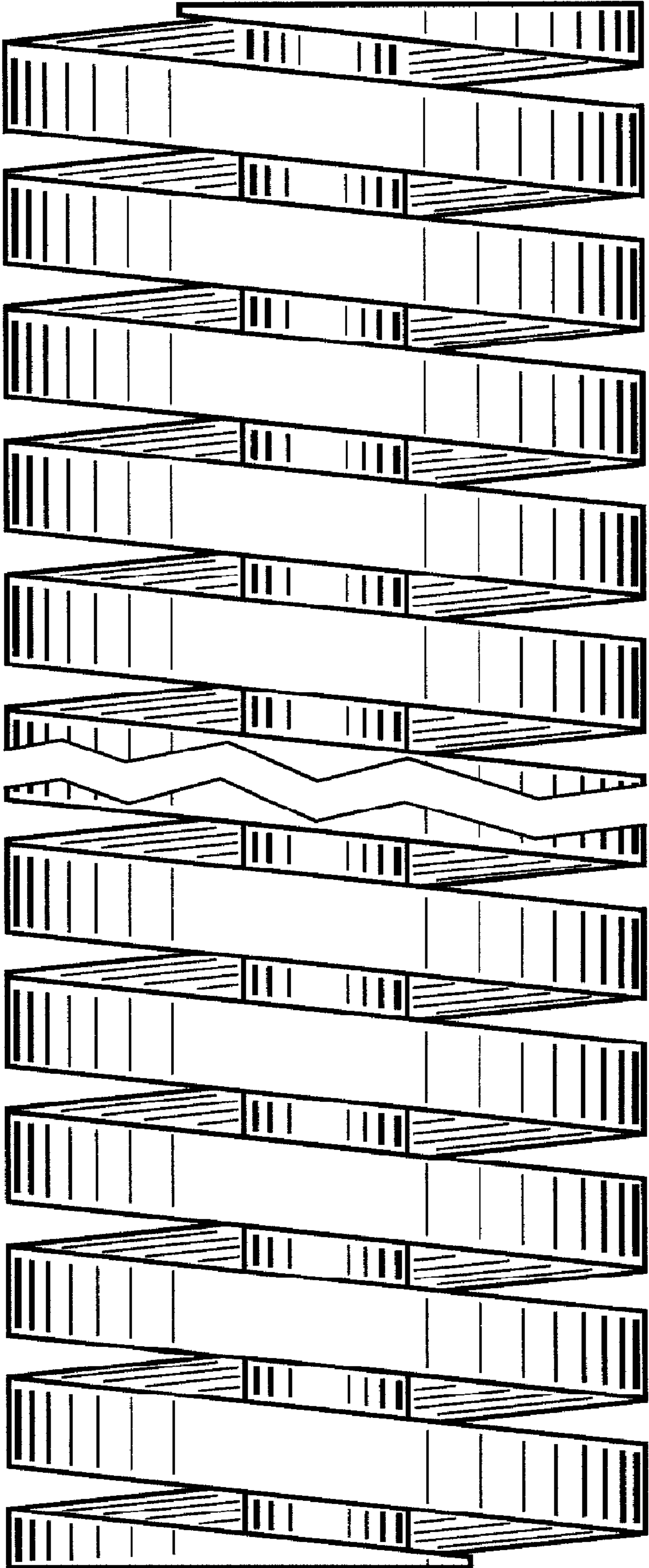


FIG. 1

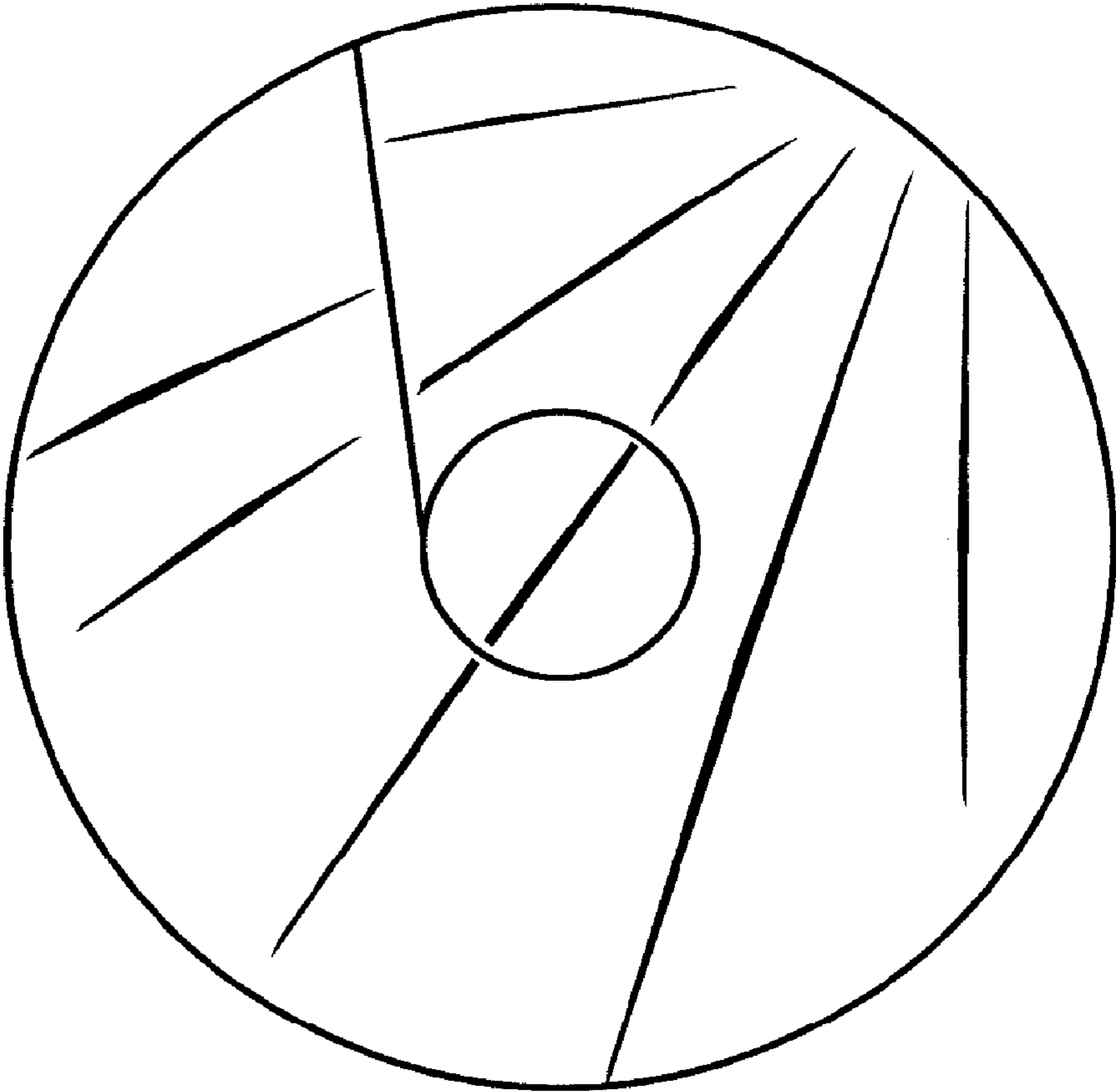


FIG. 2



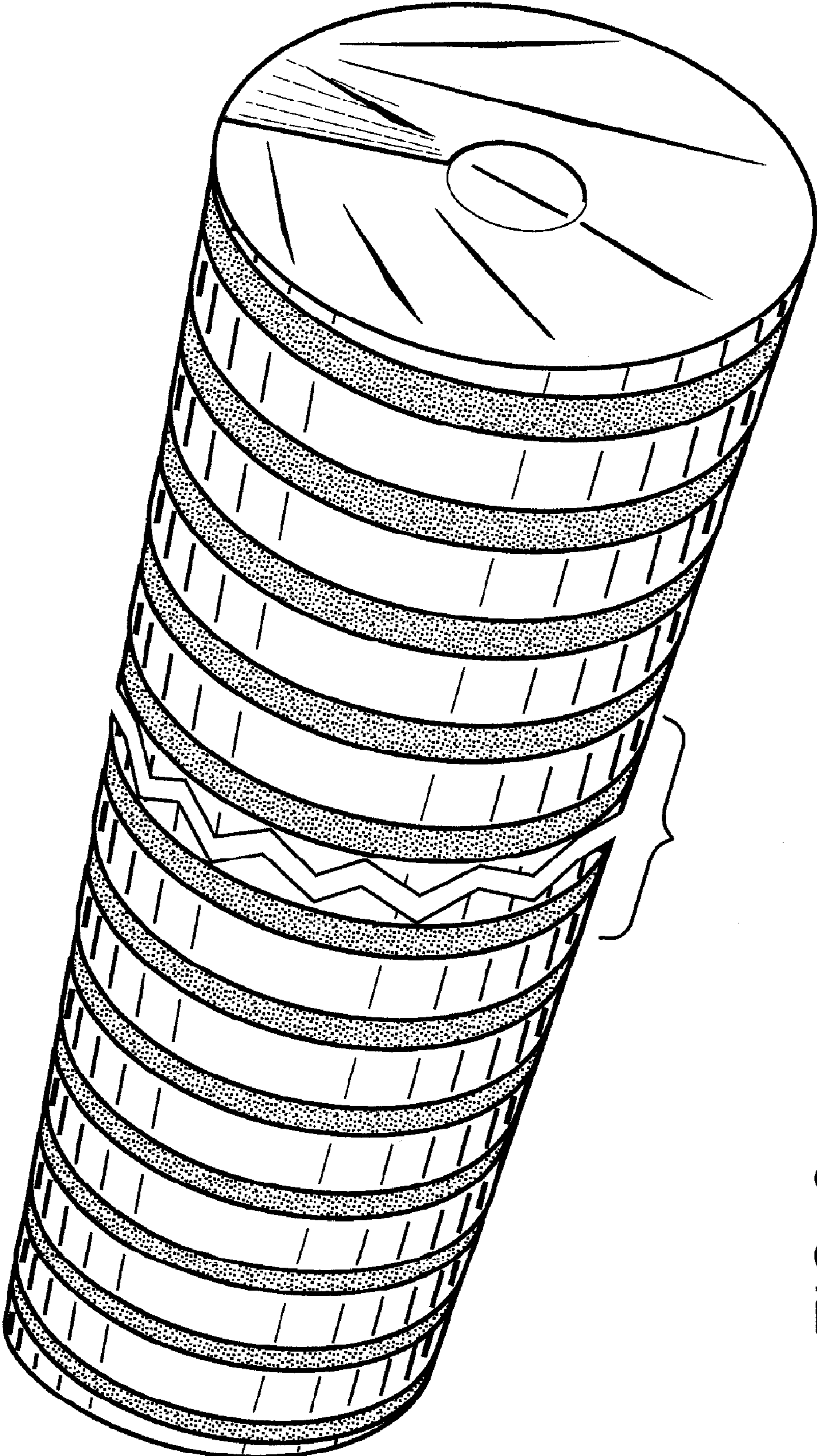


FIG. 3