



US00D584562S

(12) **United States Design Patent**
Chau et al.

(10) **Patent No.:** **US D584,562 S**

(45) **Date of Patent:** **** Jan. 13, 2009**

(54) **GRILL**

(75) Inventors: **Nam Wai Chau**, Kennedy Town (CN);
Randall May, Plano, TX (US); **Jack Lockhart**, Birmingham, AL (US)

(73) Assignee: **The Brinkmann Corporation**, Dallas, TX (US)

(**) Term: **14 Years**

(21) Appl. No.: **29/294,461**

(22) Filed: **Jan. 11, 2008**

Related U.S. Application Data

(63) Continuation of application No. 29/288,023, filed on May 24, 2007, now abandoned.

(51) **LOC (9) Cl.** **07-02**

(52) **U.S. Cl.** **D7/334**

(58) **Field of Classification Search** D7/332,
D7/334-37, 402-404; 126/25 R, 25 A, 25 AA,
126/37 R, 38, 41 R, 40, 39 B, 268, 276, 9 R;
99/449, 473, 481, 482

See application file for complete search history.

(56) **References Cited**

U.S. PATENT DOCUMENTS

D293,067 S	12/1987	Stephen et al.
4,886,045 A	12/1989	Ducate, Jr. et al.
D316,355 S	4/1991	Stephen et al.
5,536,518 A	7/1996	Rummel
5,755,154 A	5/1998	Schroeter et al.
D406,009 S	2/1999	Wagner et al.
D406,488 S	3/1999	Bates et al.

D406,489 S	3/1999	Williams et al.
D417,587 S	12/1999	Wagner et al.
D438,060 S	2/2001	Campbell et al.
D438,427 S	3/2001	Campbell et al.
6,332,395 B1	12/2001	Home
D454,276 S	3/2002	Pai
D461,359 S	8/2002	Coleman et al.
D466,368 S	12/2002	Neal et al.
D466,756 S	12/2002	Bossler et al.
D470,357 S	2/2003	Home
D471,057 S	3/2003	Chung
D471,761 S	3/2003	Choi et al.
D472,756 S	4/2003	Pai
D474,070 S	5/2003	McKenzie

(Continued)

Primary Examiner—Ruth McInroy

(74) *Attorney, Agent, or Firm*—Sheppard, Mullin, Richter & Hampton LLP

(57) **CLAIM**

We claim the ornamental design for a grill, as shown and described.

DESCRIPTION

FIG. 1 is a perspective view of the grill showing the new design;

FIG. 2 is a front elevational view thereof;

FIG. 3 is a rear elevational view thereof;

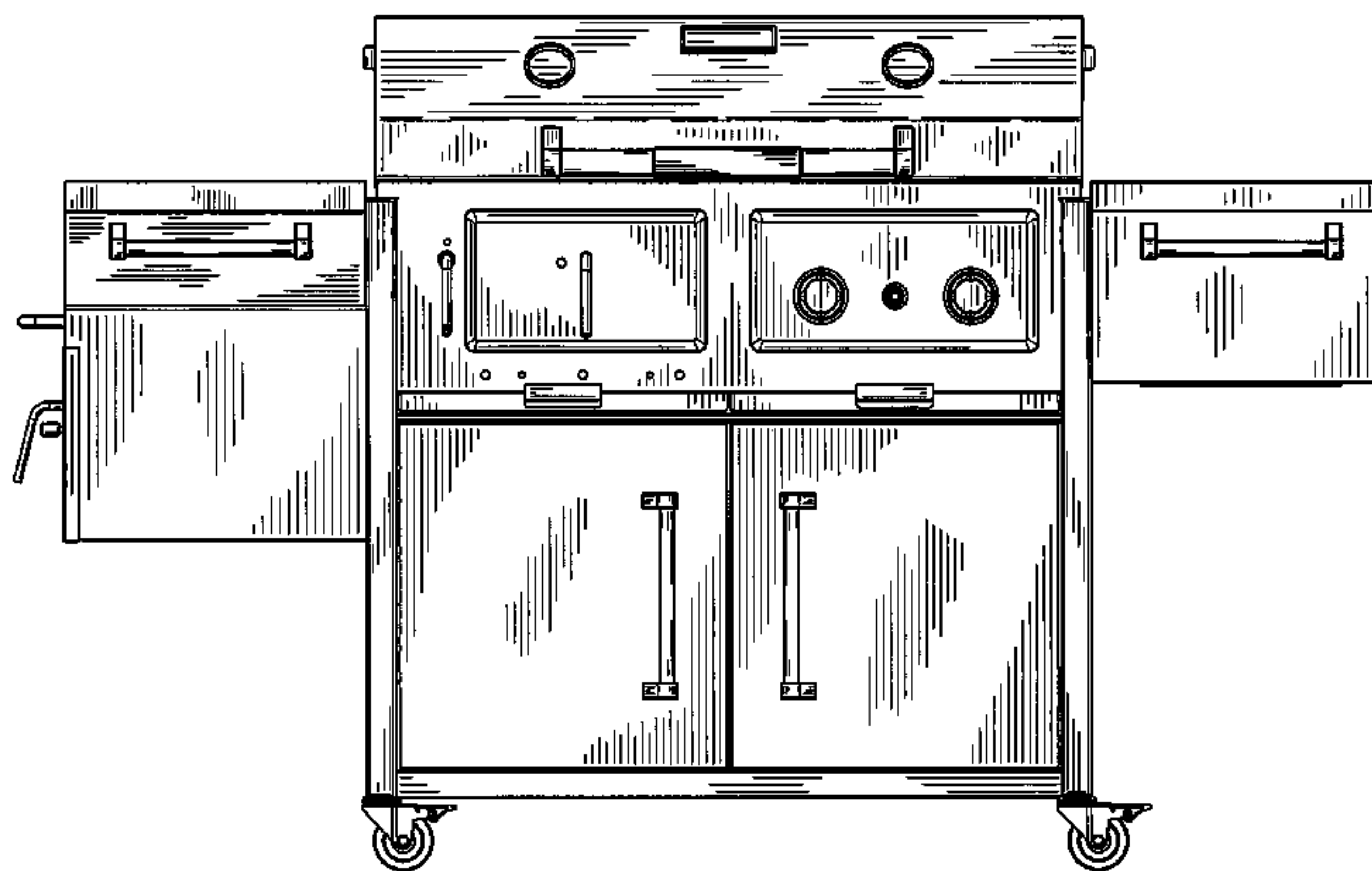
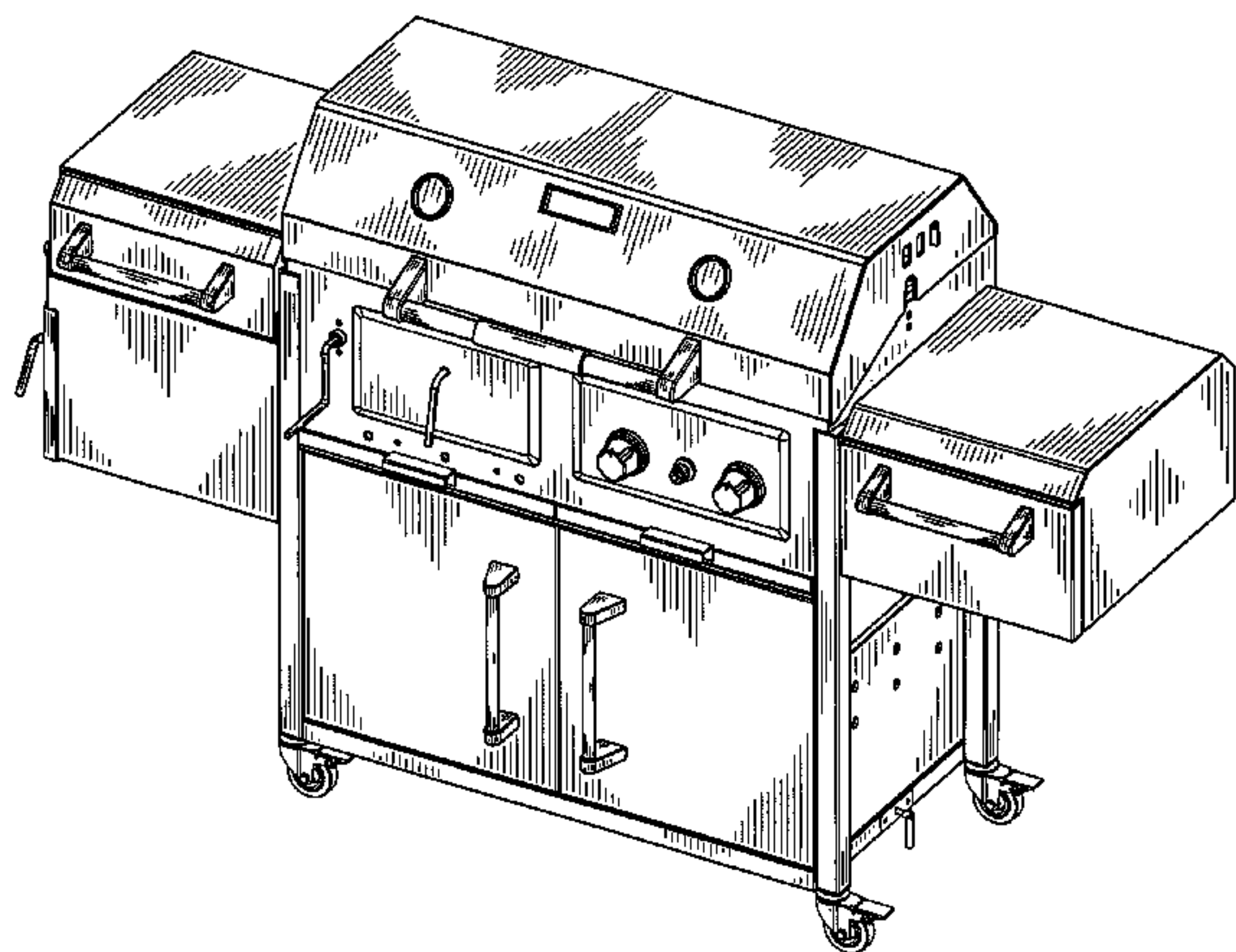
FIG. 4 is a right side elevational view thereof;

FIG. 5 is a left side elevational view thereof;

FIG. 6 is a top plan view thereof; and,

FIG. 7 is a bottom plan view thereof.

1 Claim, 6 Drawing Sheets



US D584,562 S

Page 2

U.S. PATENT DOCUMENTS

D475,235 S	6/2003	Home		D514,381 S	2/2006	Chung	
D479,092 S	9/2003	Lewis et al.		D520,298 S	5/2006	Huegerich et al.	
D485,467 S *	1/2004	Pai	D7/334	D521,308 S	5/2006	Tseng	
D488,025 S	4/2004	Tseng		D528,349 S *	9/2006	Chung	D7/334
D491,414 S	6/2004	Nichols et al.		D533,010 S *	12/2006	Pai	D7/334
D494,009 S	8/2004	Joss et al.		D544,289 S *	6/2007	Tseng	D7/332
D494,413 S	8/2004	Joss et al.		D546,116 S *	7/2007	Tseng	D7/334
D497,284 S	10/2004	Pai		D547,108 S *	7/2007	Tseng	D7/332
D503,065 S *	3/2005	Pai	D7/334	D560,415 S *	1/2008	Wood et al.	D7/334
D504,048 S	4/2005	Joss et al.		D571,602 S *	6/2008	Chung	D7/334
6,923,172 B2	8/2005	Muldoon		D571,604 S *	6/2008	Chung	D7/334
6,935,327 B1	8/2005	Williams et al.		2006/0054156 A1	3/2006	Zelek et al.	
D512,268 S	12/2005	Pai		2006/0144385 A1	7/2006	Coleman et al.	

* cited by examiner

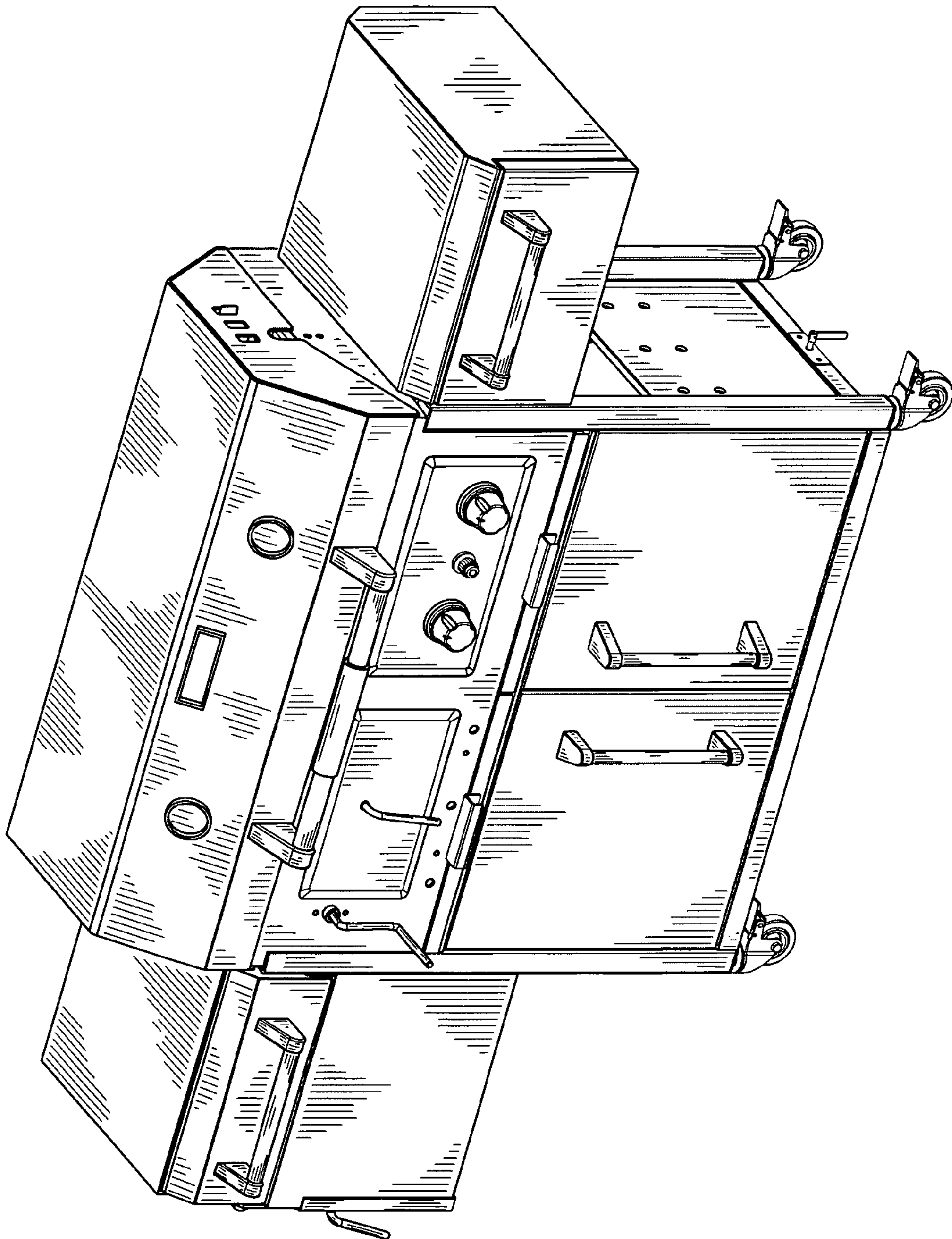


FIG. 1

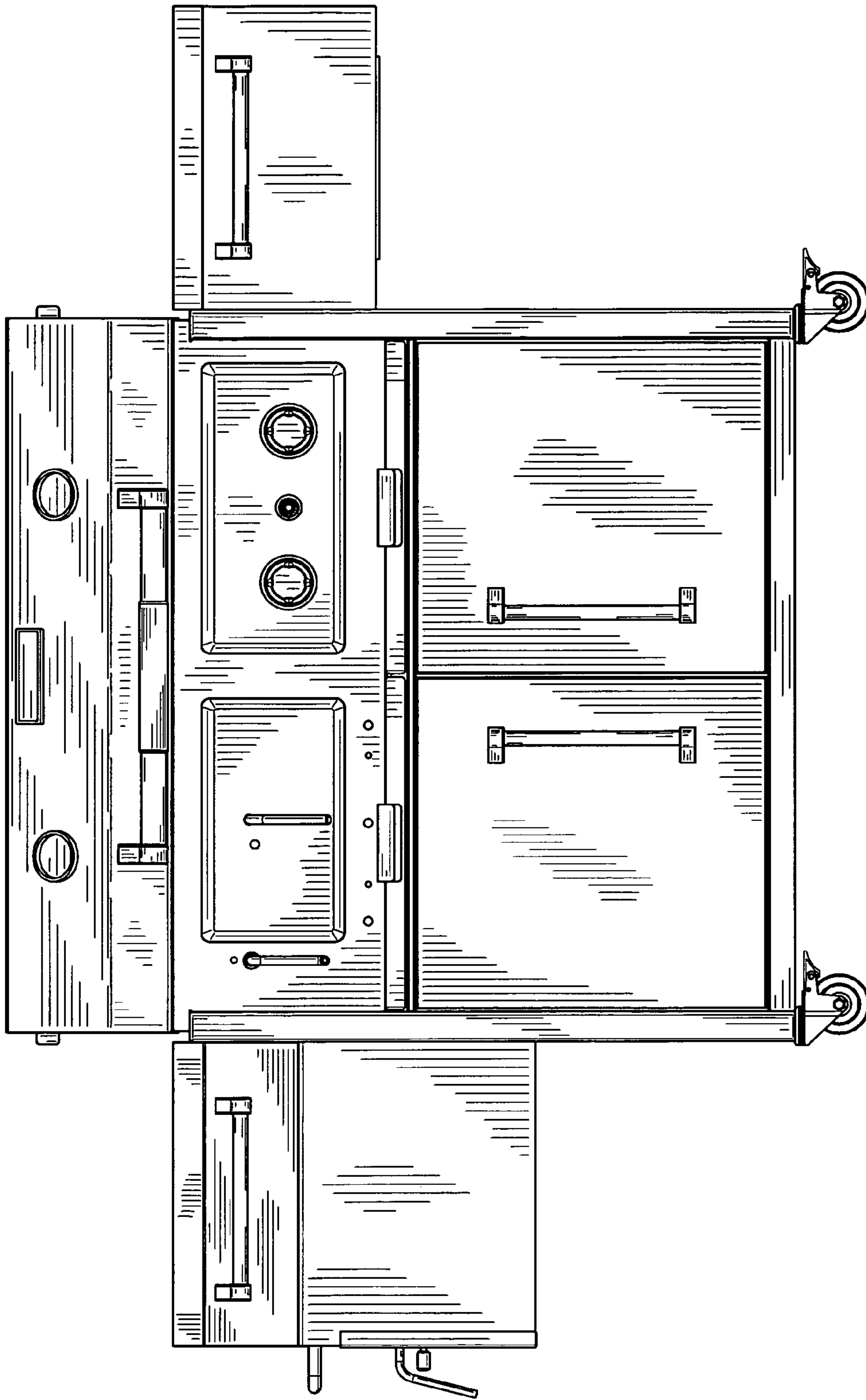


FIG. 2

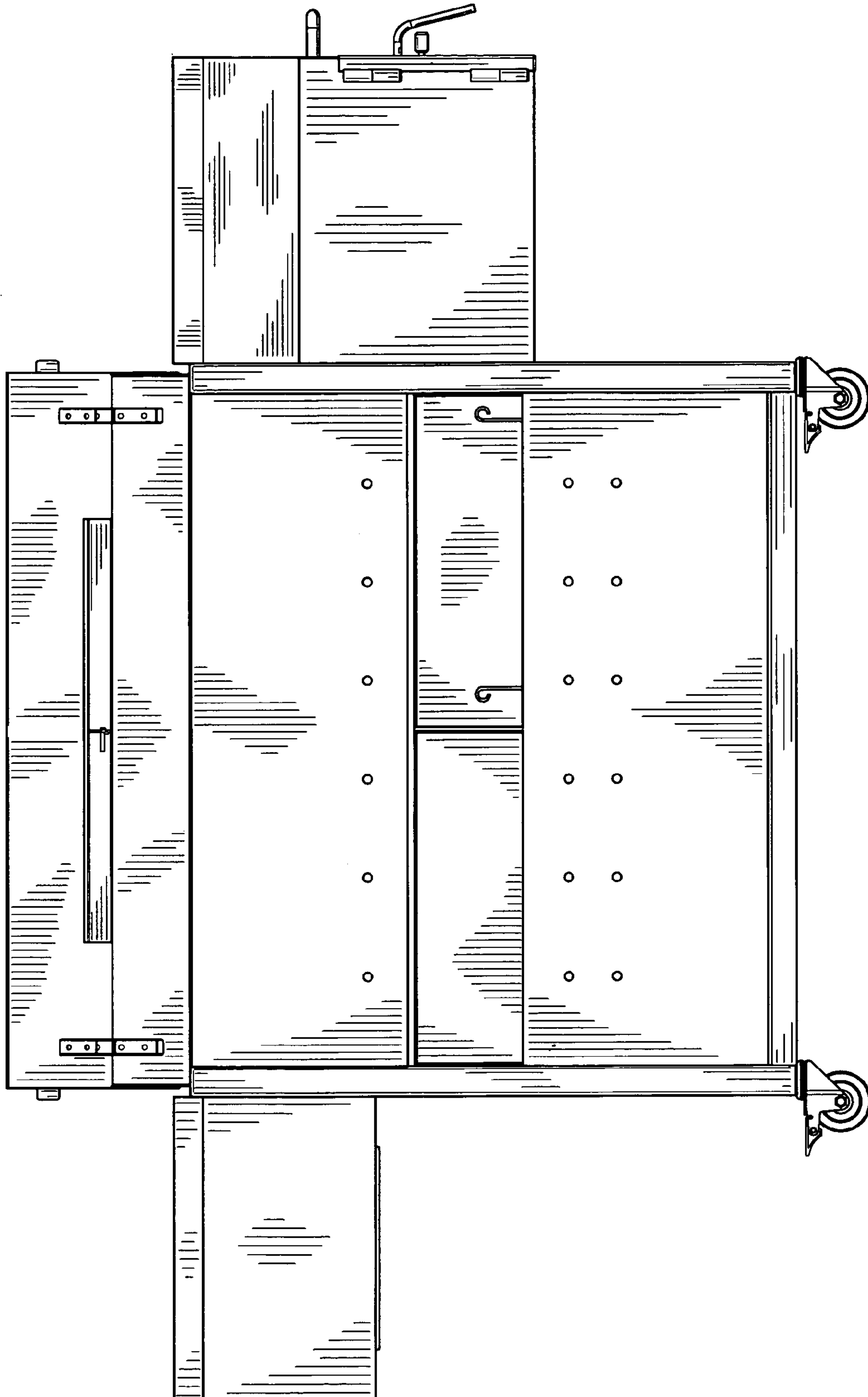


FIG. 3

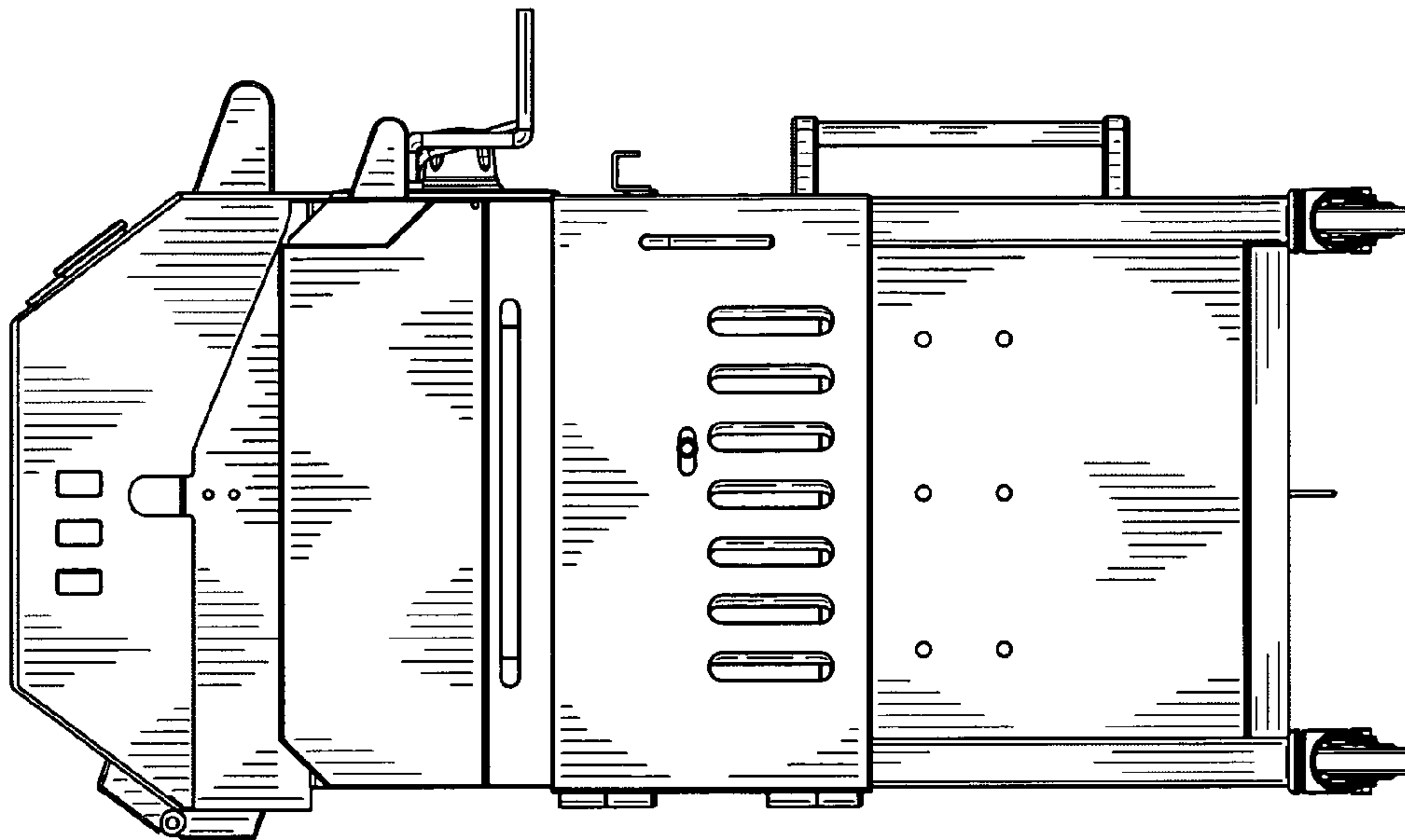


FIG. 5

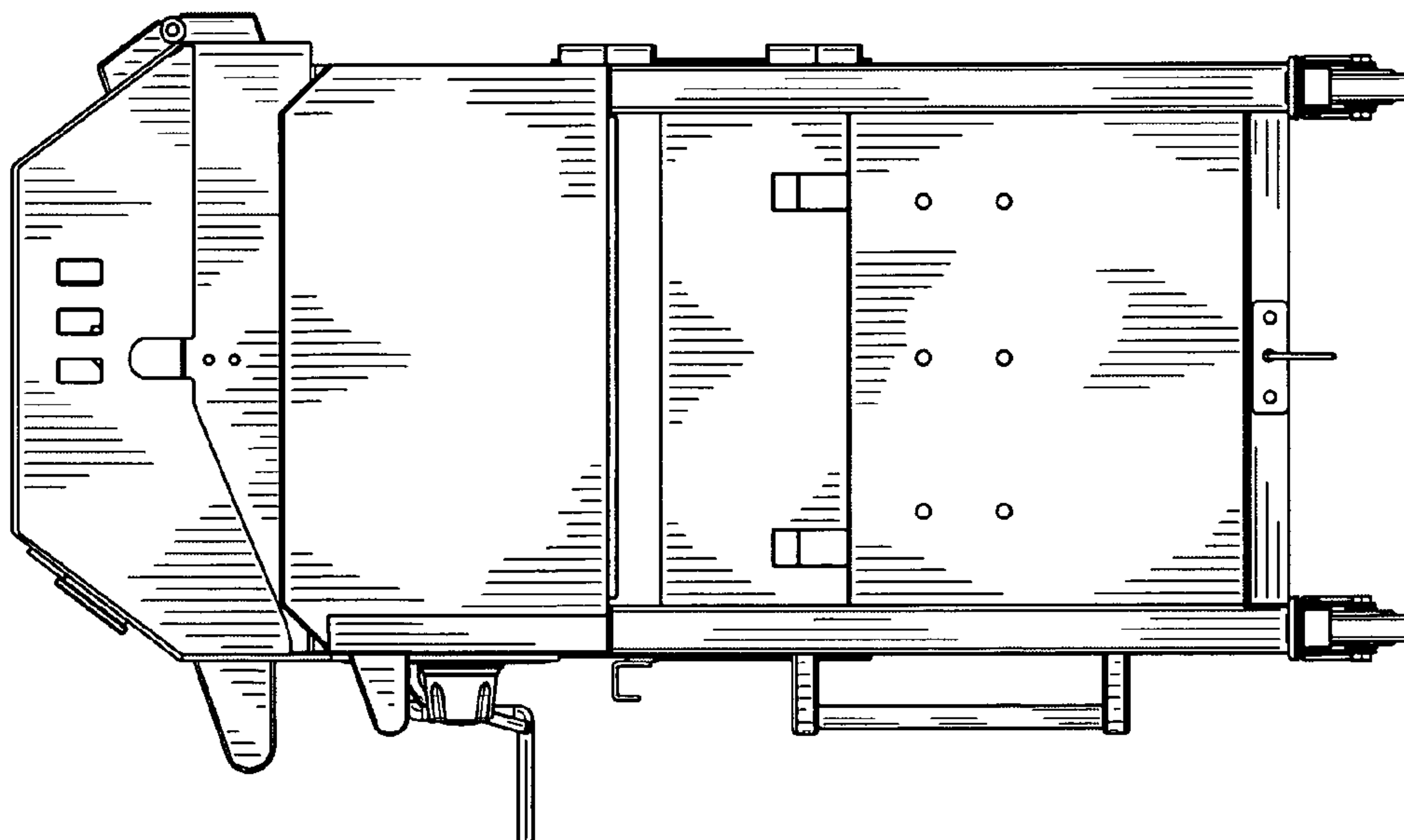


FIG. 4

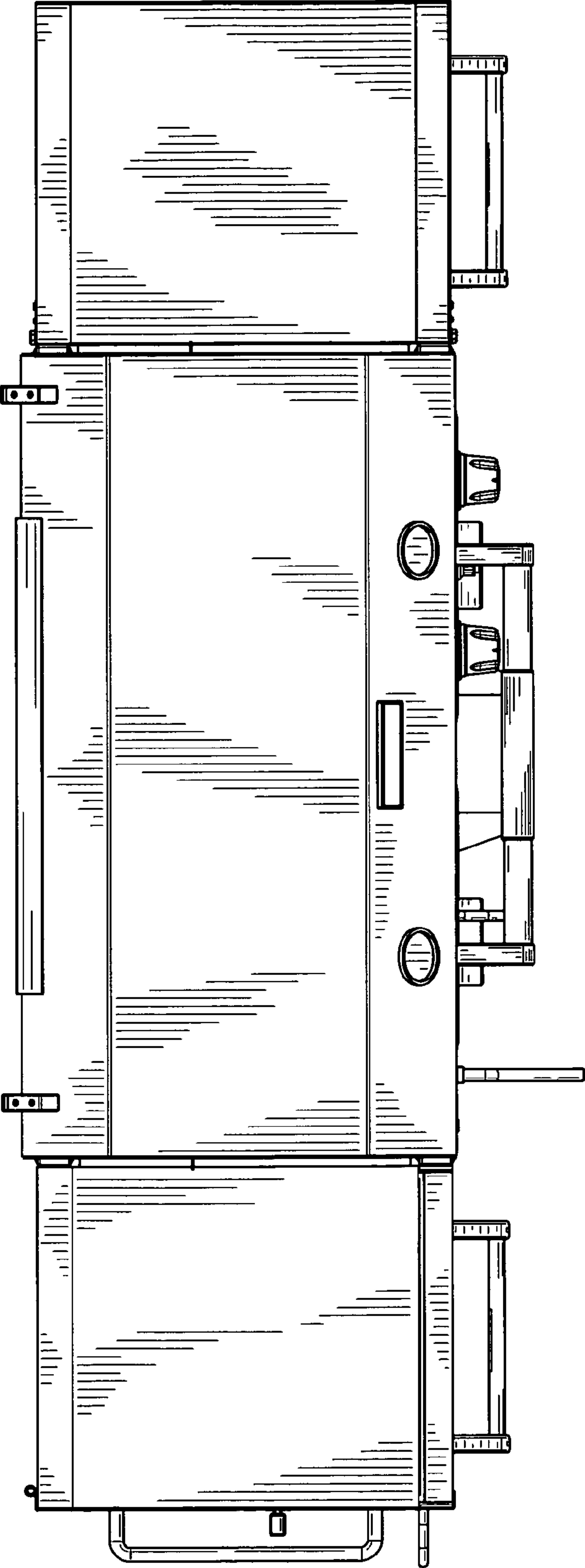


FIG. 6

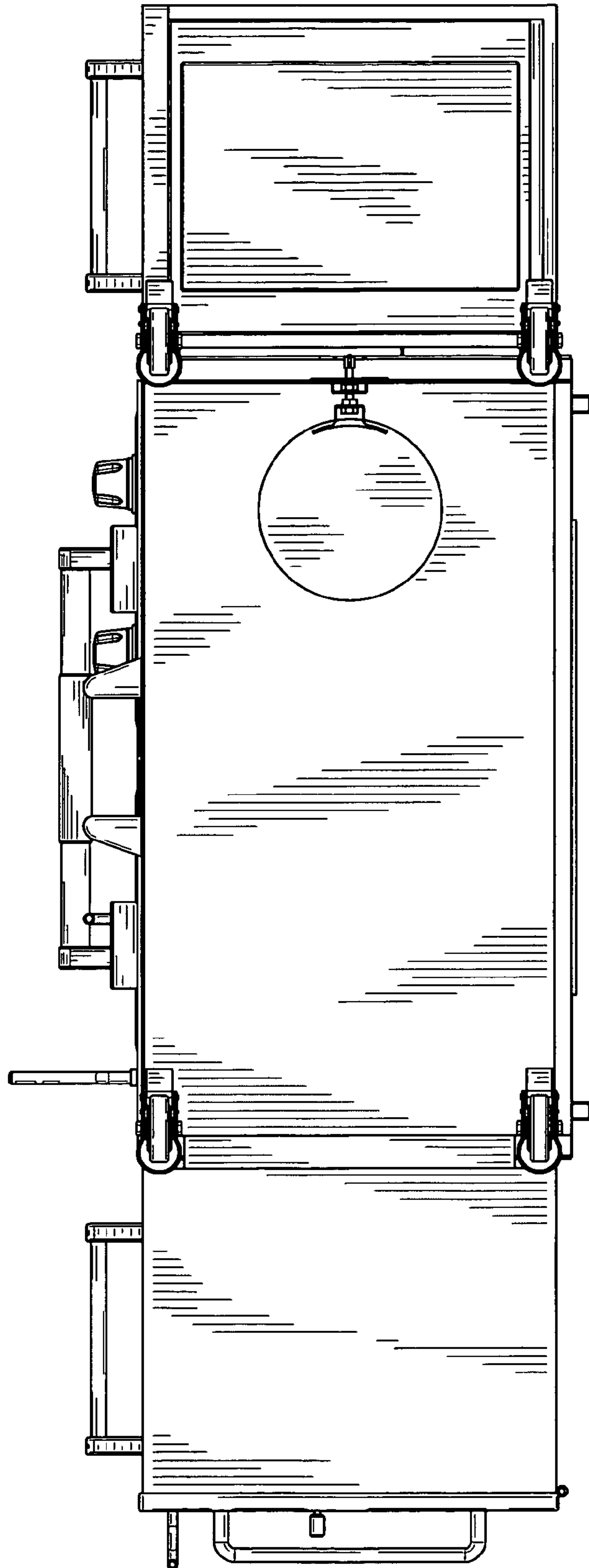


FIG. 7