



US00D584561S

(12) **United States Design Patent**
Ljunggren et al.

(10) **Patent No.:** **US D584,561 S**
(45) **Date of Patent:** **** Jan. 13, 2009**

(54) **TEA KETTLE**
(75) Inventors: **Anton Ljunggren**, New York, NY (US);
Anthony DiBitonto, Brooklyn, NY
(US); **Steven Michael Dibdin**,
Bloomfield, NJ (US); **Eugene Ryu**
Kaneko, Astoria, NY (US)

(73) Assignee: **Helen of Troy Limited**, St. Michael
(BB)

(**) Term: **14 Years**

(21) Appl. No.: **29/293,262**

(22) Filed: **Nov. 13, 2007**

(51) **LOC (9) Cl.** **07-01**

(52) **U.S. Cl.** **D7/322; D7/321; D7/320**

(58) **Field of Classification Search** **D7/300,**
D7/321, 322, 320, 312, 600, 598; 222/1,
222/469, 474; 220/298

See application file for complete search history.

(56) **References Cited**

U.S. PATENT DOCUMENTS

D48,652 S *	2/1916	Smith	D7/321
1,486,802 A	3/1924	Royse		
2,102,349 A	12/1937	Baron		
2,105,201 A *	1/1938	Richheimer	220/298
2,169,239 A	8/1939	Hacmac		
2,294,594 A	9/1942	Bloomfield		
2,624,493 A	1/1953	Porter		
2,718,338 A	9/1955	Cicero		
D251,173 S *	2/1979	Umanoff	D7/321
D279,756 S *	7/1985	Lax	D7/320
4,756,442 A	7/1988	Halm et al.		

5,135,128 A	8/1992	Kuhn		
5,307,950 A	5/1994	Li		
D373,500 S *	9/1996	Lee	D7/320
D380,337 S *	7/1997	Lien	D7/322
6,006,959 A	12/1999	Naden et al.		
D454,026 S *	3/2002	Bodum	D7/321
6,540,120 B2	4/2003	Lebowitz		
D501,355 S *	2/2005	Graves et al.	D7/322
D558,509 S *	1/2008	Bodum	D7/321
D574,658 S *	8/2008	Grund et al.	D7/322
D575,094 S *	8/2008	Lebowitz	D7/321

FOREIGN PATENT DOCUMENTS

WO WO 01/03556 1/2001

* cited by examiner

Primary Examiner—Marianne Pandozzi

(74) *Attorney, Agent, or Firm*—Seyfarth Shaw LLP

(57) **CLAIM**

The ornamental design for the tea kettle, as shown and described.

DESCRIPTION

FIG. 1 is a top plan view of the tea kettle showing our new design;

FIG. 2 is a bottom plan view thereof;

FIG. 3 is a right side view thereof;

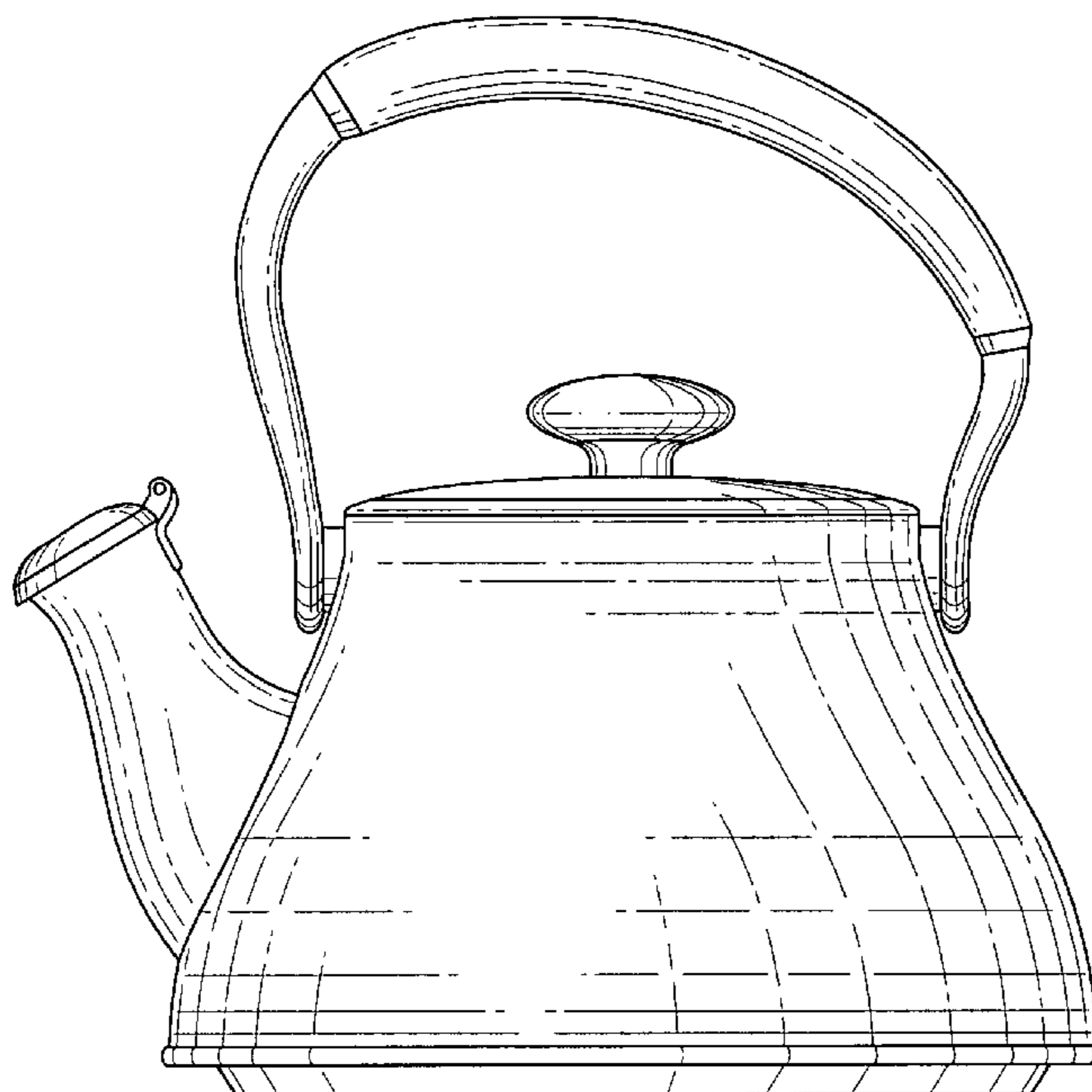
FIG. 4 is a left side view thereof;

FIG. 5 is a front plan view thereof;

FIG. 6 is a back plan view thereof; and,

FIG. 7 is a perspective view.

1 Claim, 7 Drawing Sheets



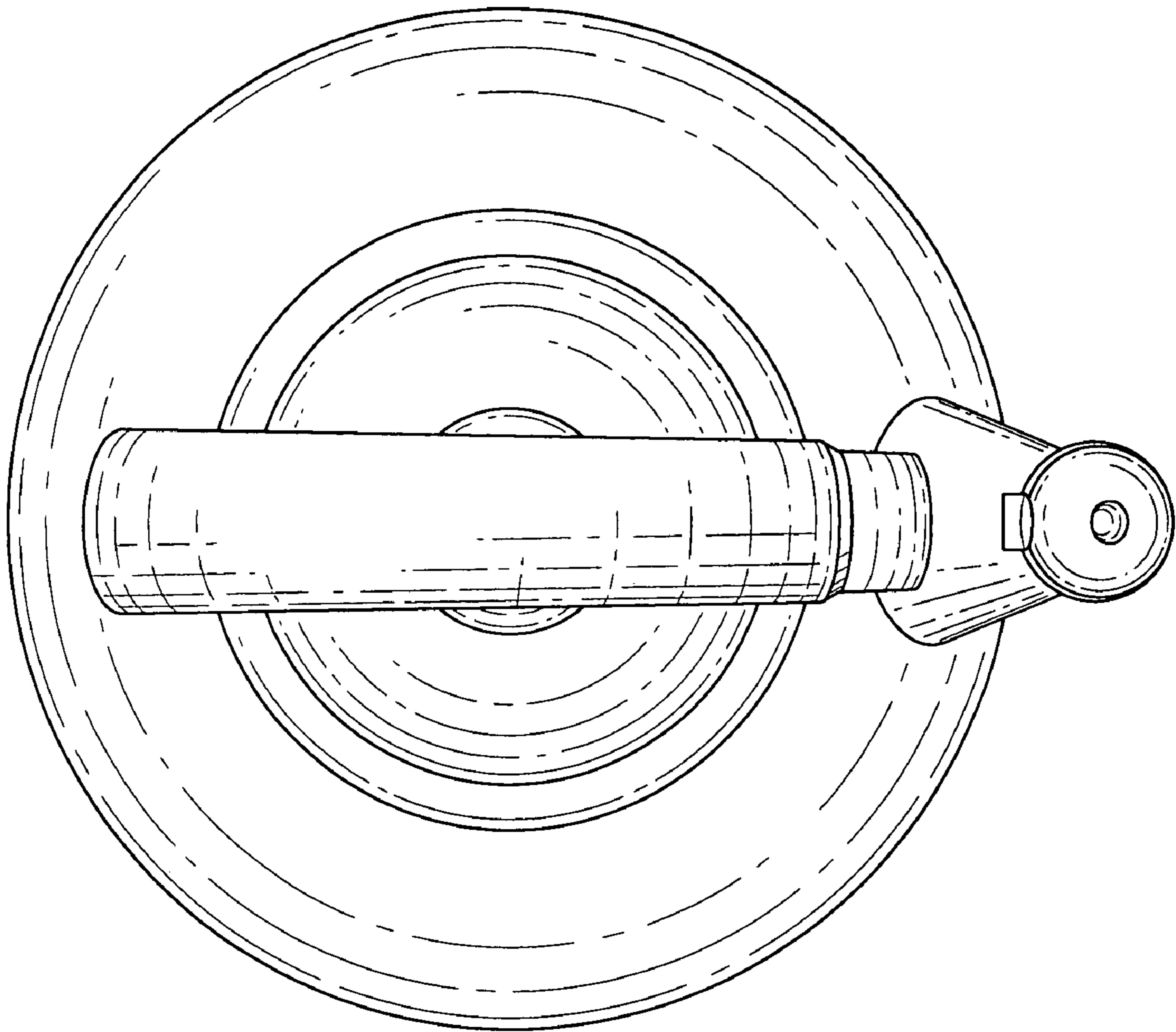


Fig. 1

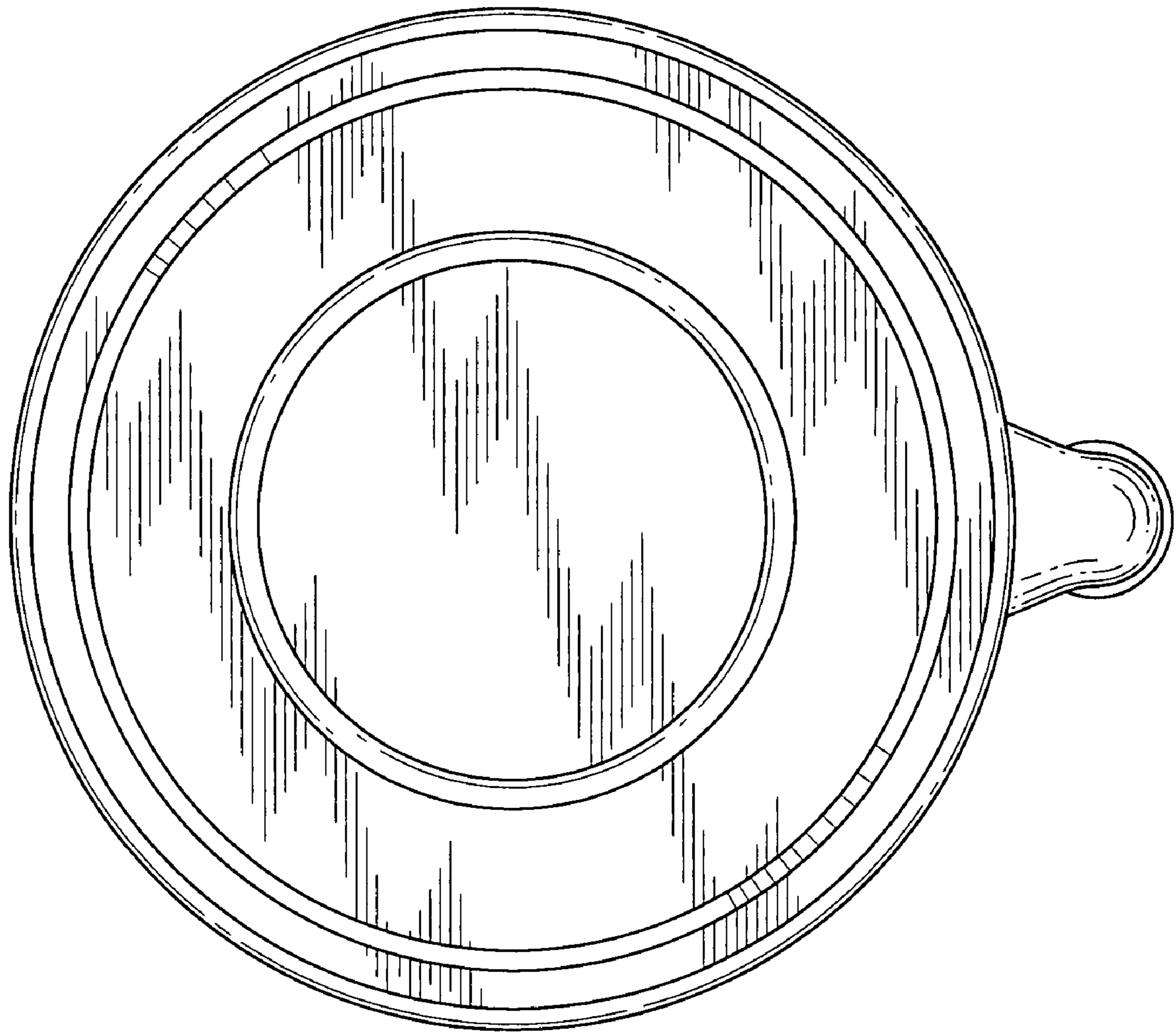


Fig. 2



Fig. 3

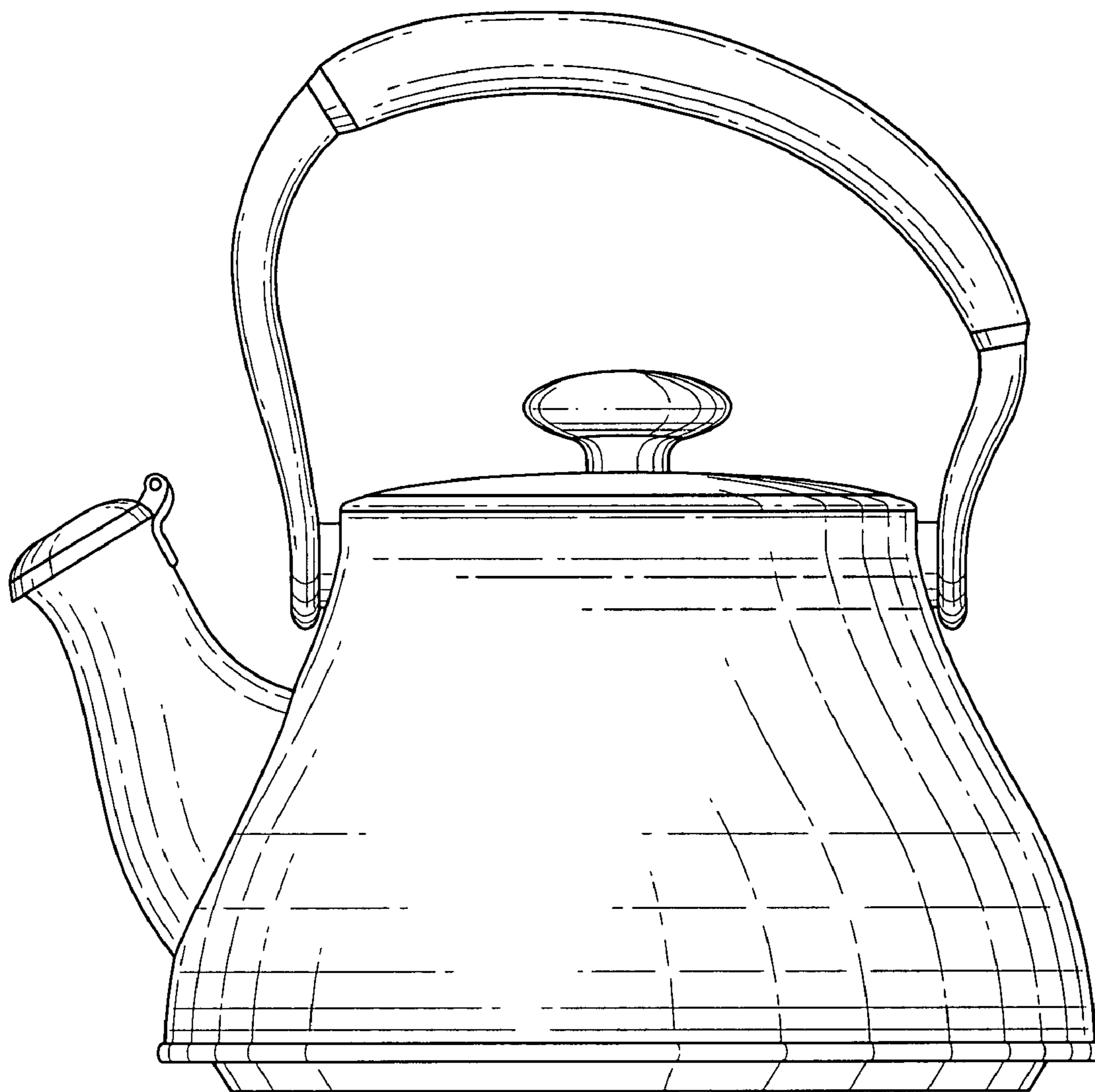


Fig. 4

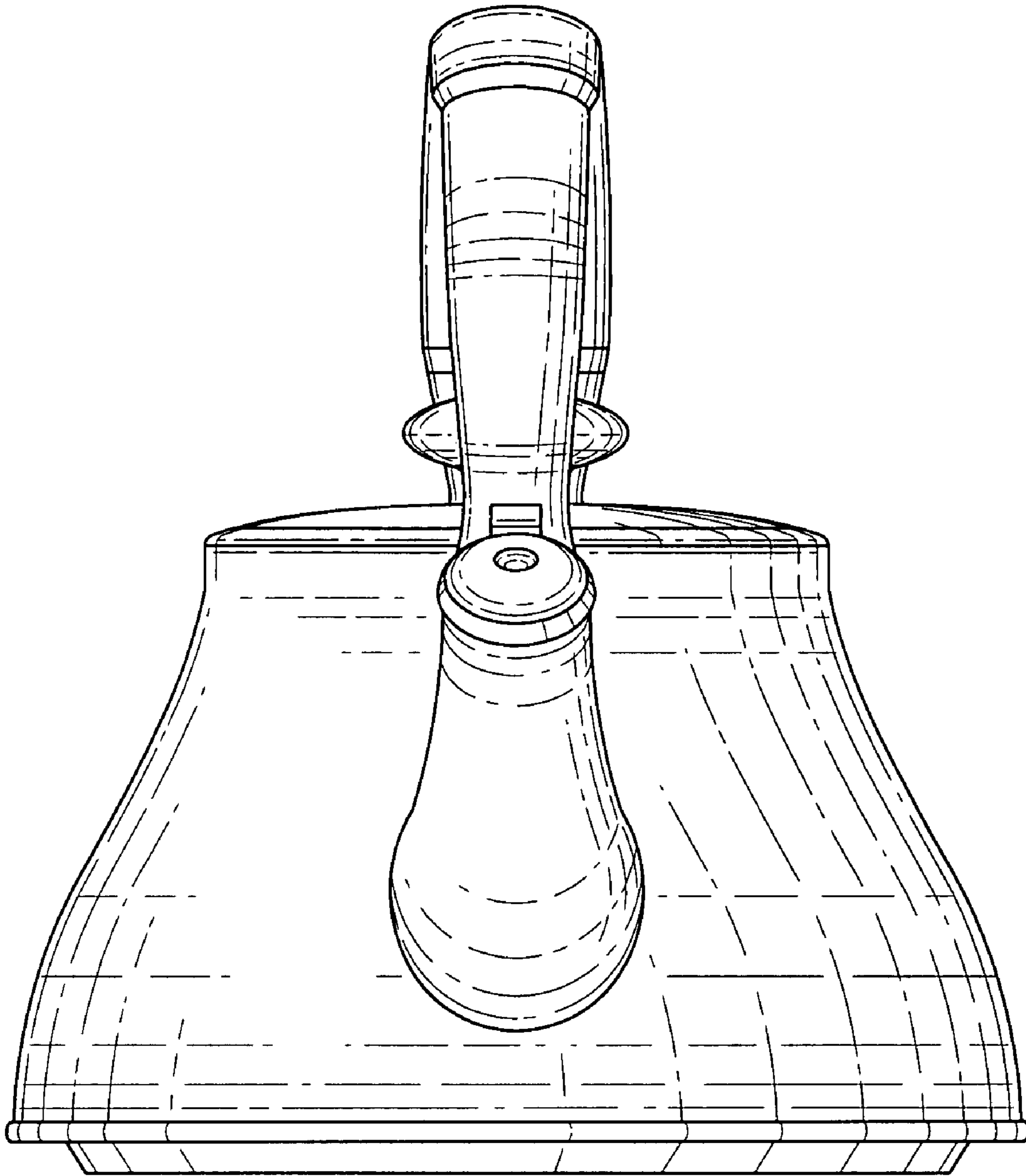


Fig. 5

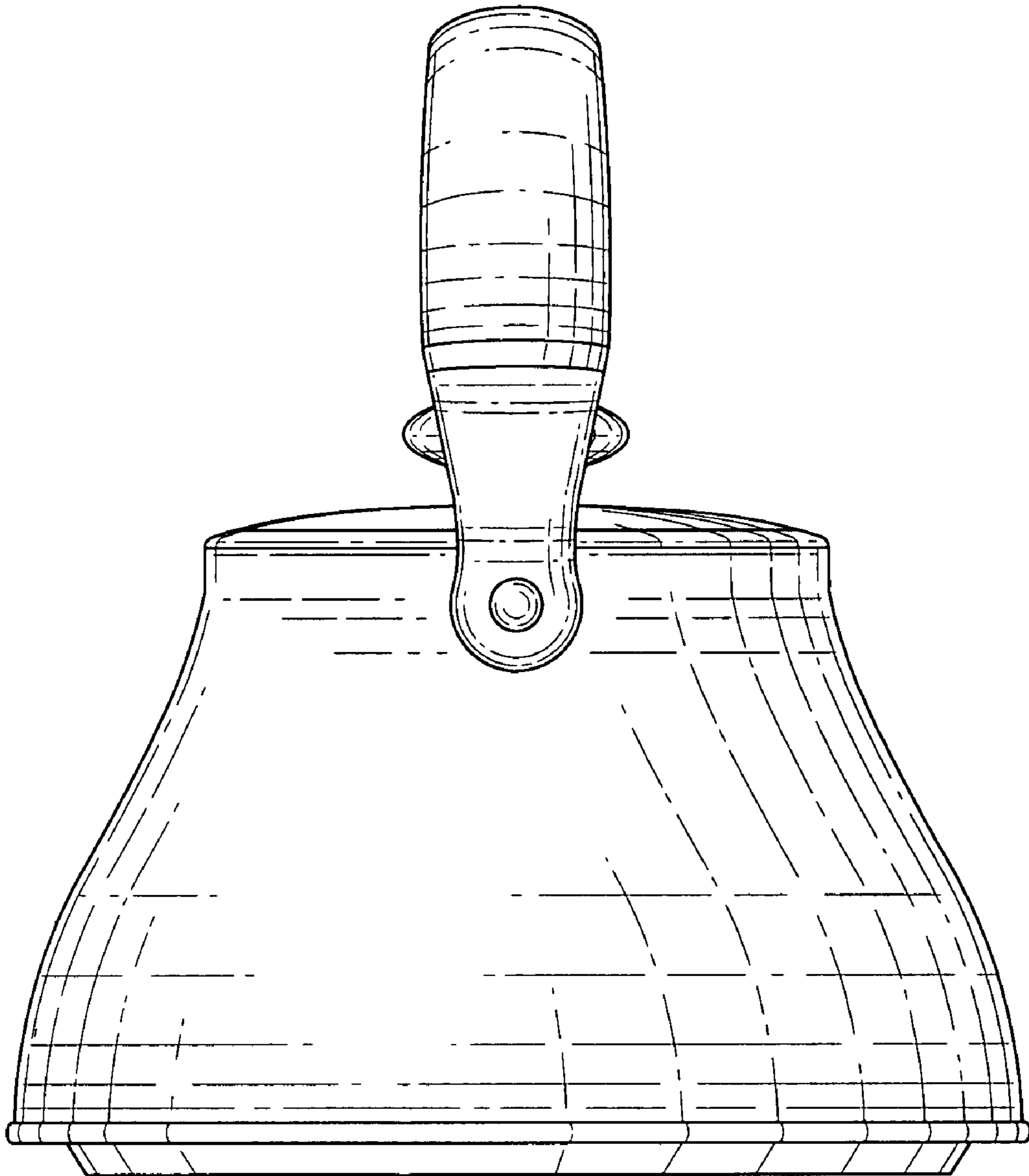


Fig. 6

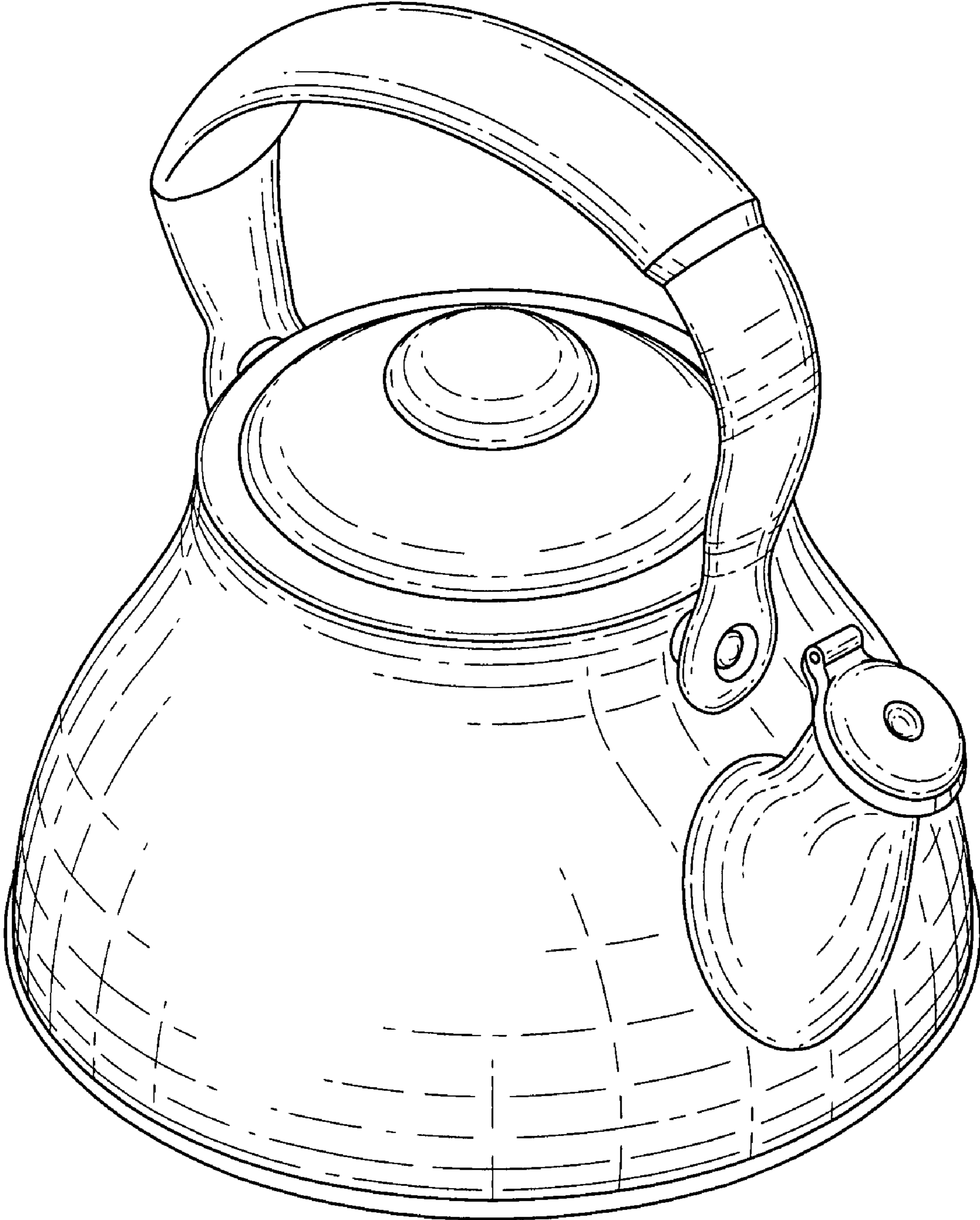


Fig. 7