



US00D584559S

(12) **United States Design Patent**
Bodum

(10) **Patent No.:** **US D584,559 S**
(45) **Date of Patent:** **** Jan. 13, 2009**

(54) **DOUBLE WALL COFFEE PRESS**

(57) **CLAIM**

(75) Inventor: **Jørgen Bodum**, Meggen (CH)

The ornamental design for a double wall coffee press, as shown and described.

(73) Assignee: **Pi-Design, AG**, Triengen (CH)

(**) Term: **14 Years**

(21) Appl. No.: **29/297,950**

(22) Filed: **Nov. 23, 2007**

(30) **Foreign Application Priority Data**

May 23, 2007 (DK) DA 2007 00133
Jun. 8, 2007 (DK) DA 2007 00142

(51) **LOC (9) Cl.** **07-01**

(52) **U.S. Cl.** **D7/319; D7/317**

(58) **Field of Classification Search** D7/300–322,
D7/516, 533, 536; D23/207, 209; 99/297,
99/319; 210/282, 635; 222/164, 165, 465.1,
222/466

See application file for complete search history.

(56) **References Cited**

U.S. PATENT DOCUMENTS

2,459,498 A * 1/1949 Cameron 99/287
D368,404 S * 4/1996 Zive D7/317
D542,078 S * 5/2007 Bodum D7/319

* cited by examiner

Primary Examiner—Antoine D Davis

(74) *Attorney, Agent, or Firm*—Cowan, Liebowitz & Latman,
PC

DESCRIPTION

FIG. 1 is a perspective view of a first embodiment of the double wall coffee press showing my design thereof;

FIG. 2 is a front view thereof;

FIG. 3 is a back view thereof;

FIG. 4 is a right side view thereof;

FIG. 5 is a left side view thereof;

FIG. 6 is a top view thereof;

FIG. 7 is a bottom view thereof;

FIG. 8 is a cross-sectional view thereof taken along line 8—8 of FIG. 6;

FIG. 9 is a perspective view of a second embodiment of the double wall coffee press showing my design thereof;

FIG. 10 is a front view thereof;

FIG. 11 is a back view thereof;

FIG. 12 is a right side view thereof;

FIG. 13 is a left side view thereof;

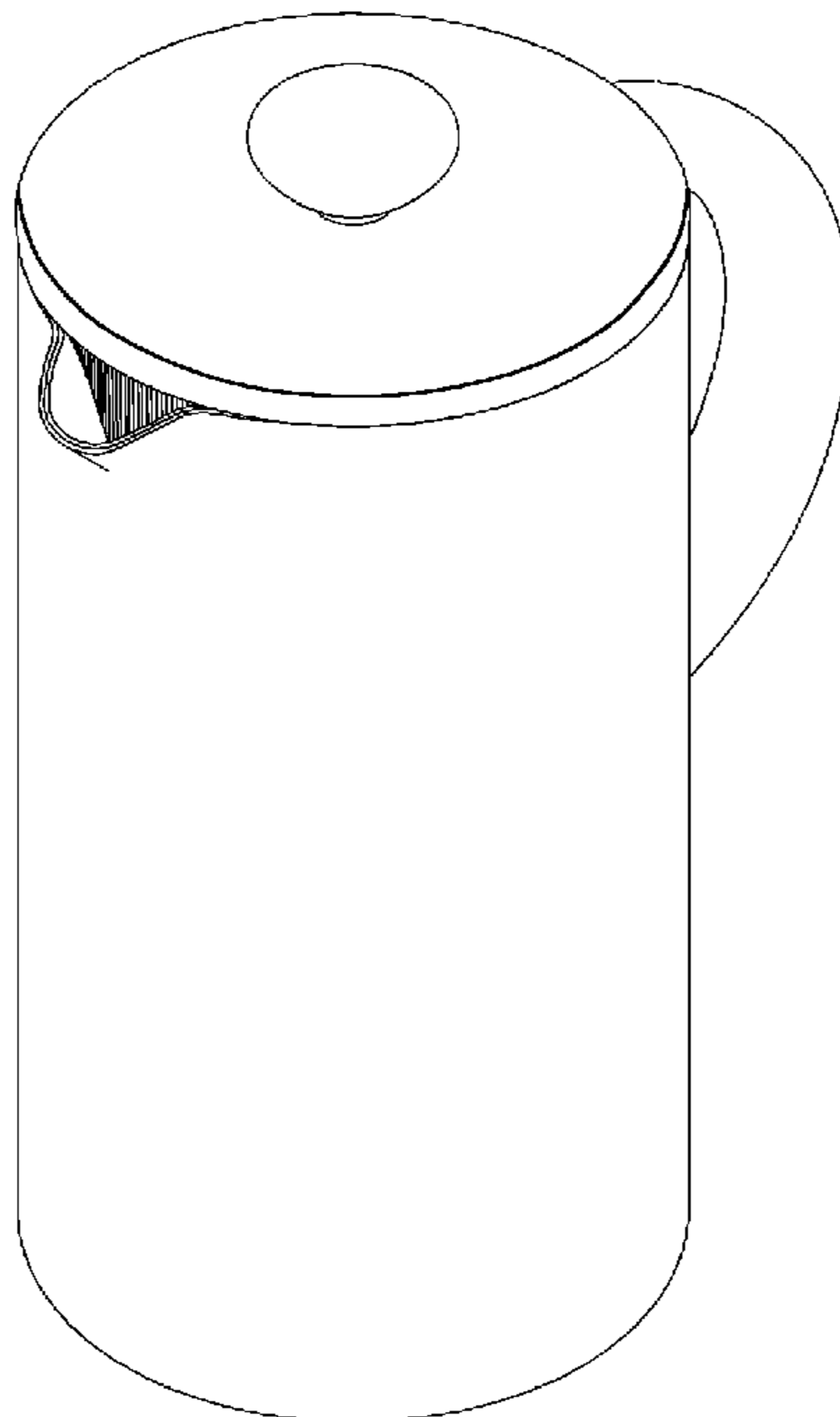
FIG. 14 is a top view thereof;

FIG. 15 is a bottom view thereof; and,

FIG. 16 is a cross-sectional view thereof taken along line 16—16 of FIG. 14.

A new and original design for the double wall coffee press is shown in FIGS. 1–8. The body of the coffee press can be made of metal, including stainless steel.

1 Claim, 16 Drawing Sheets



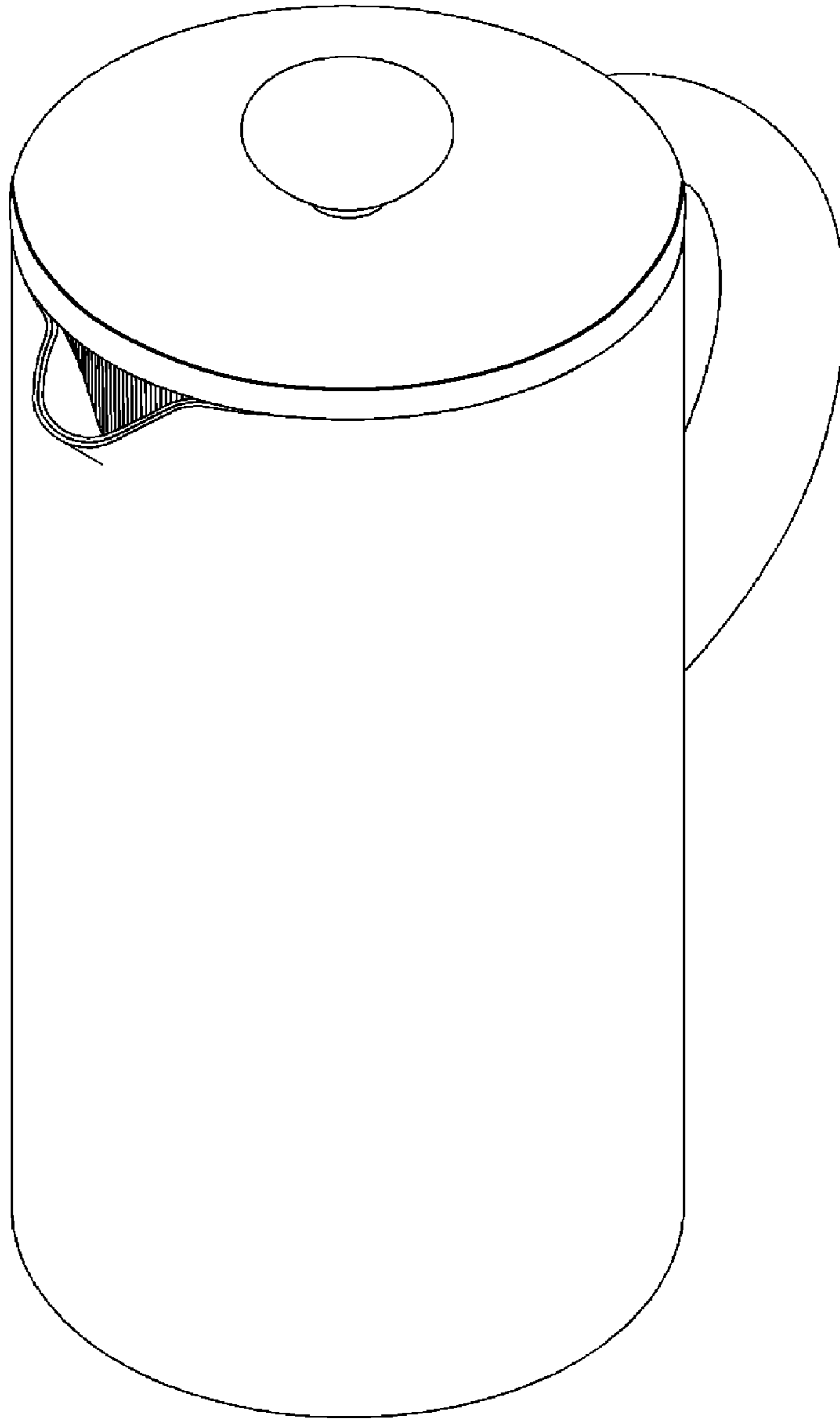


FIG. 1

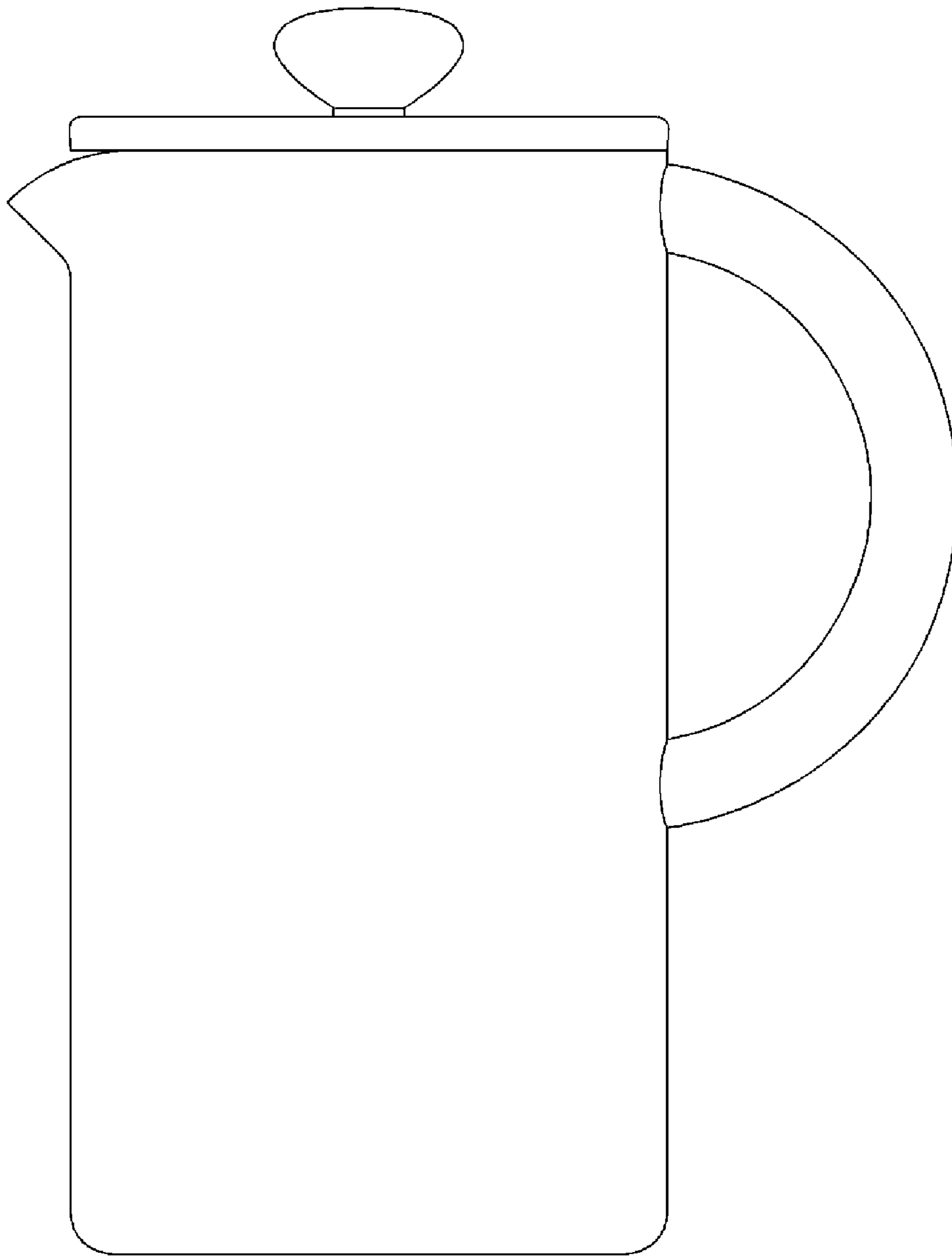


FIG. 2

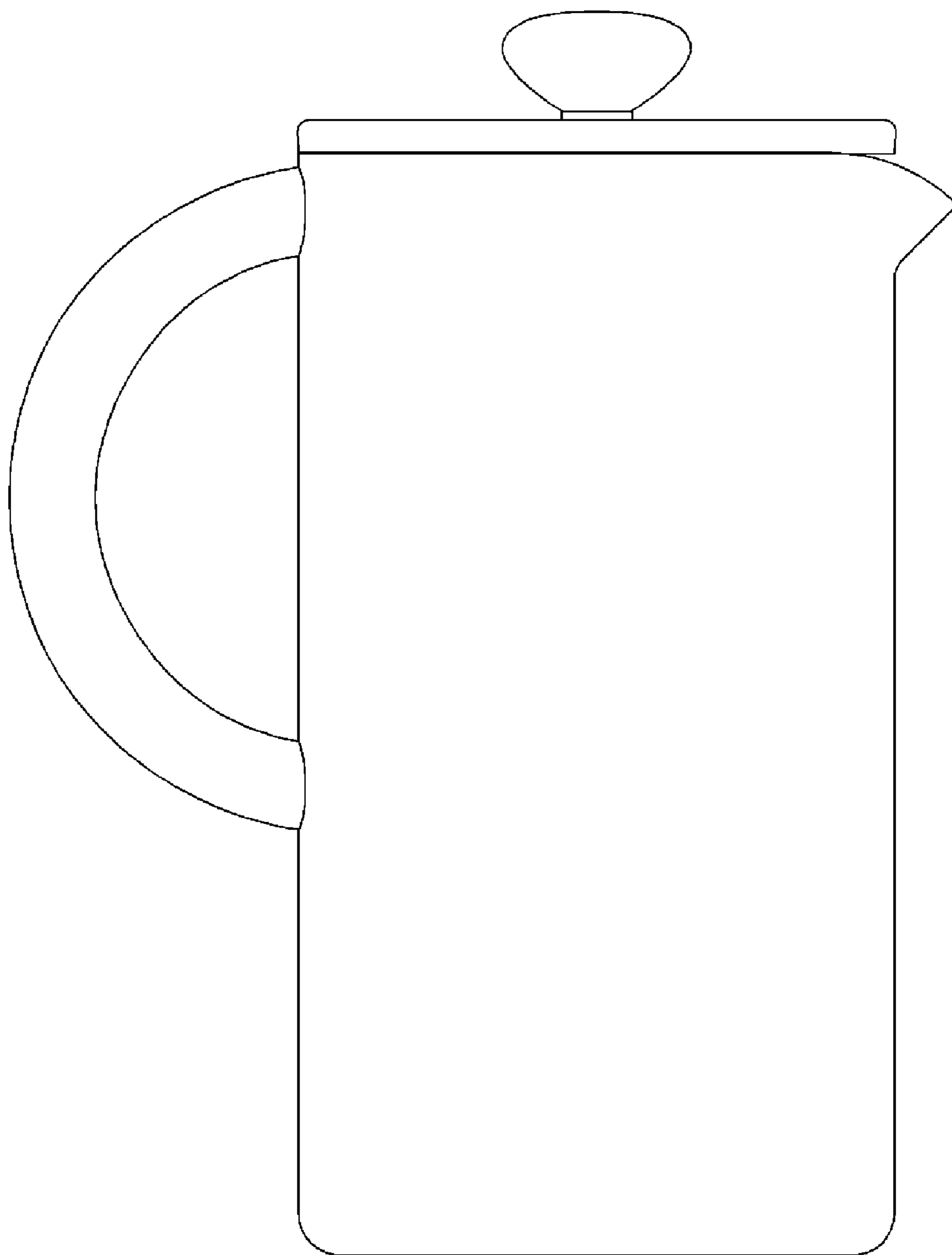


FIG. 3

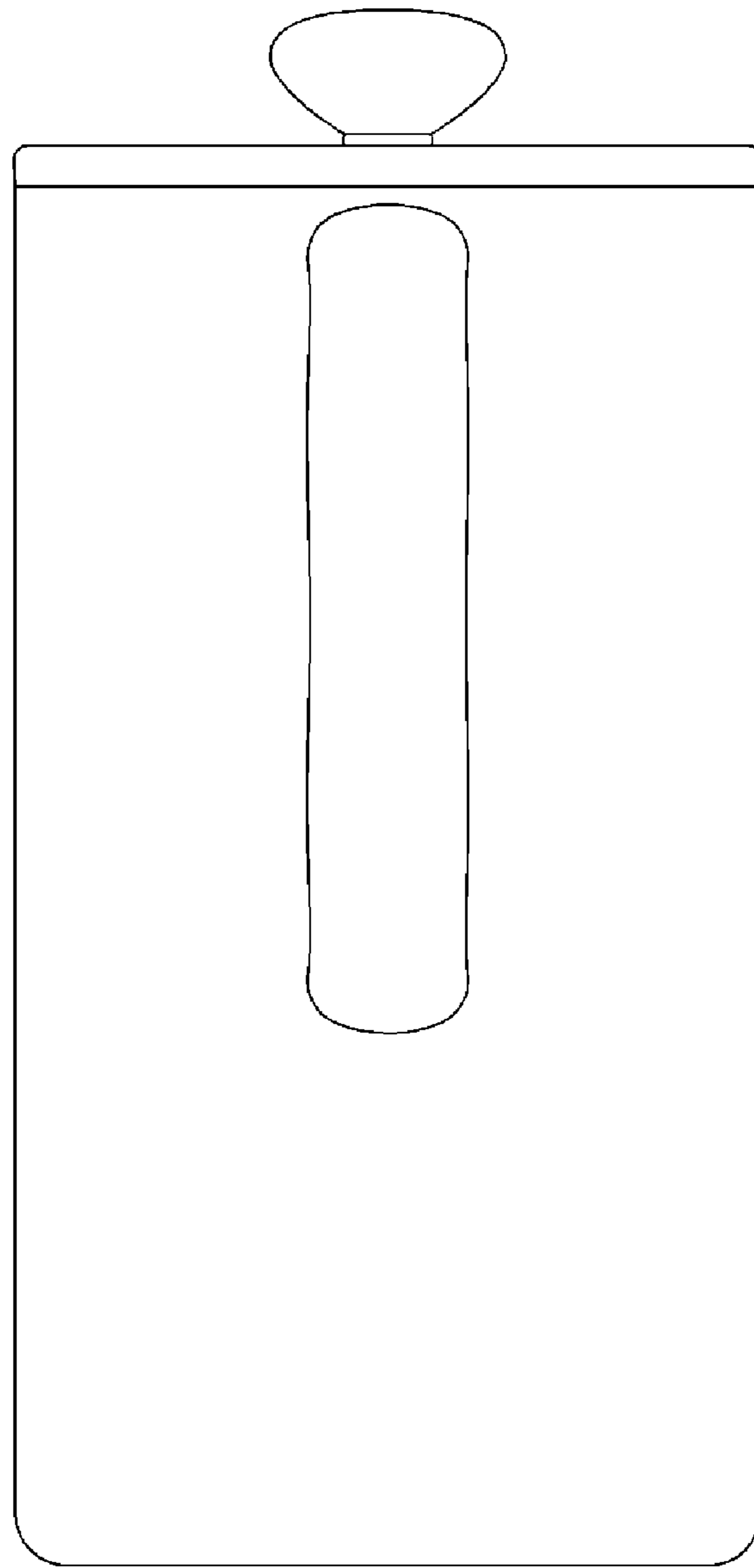


FIG. 4

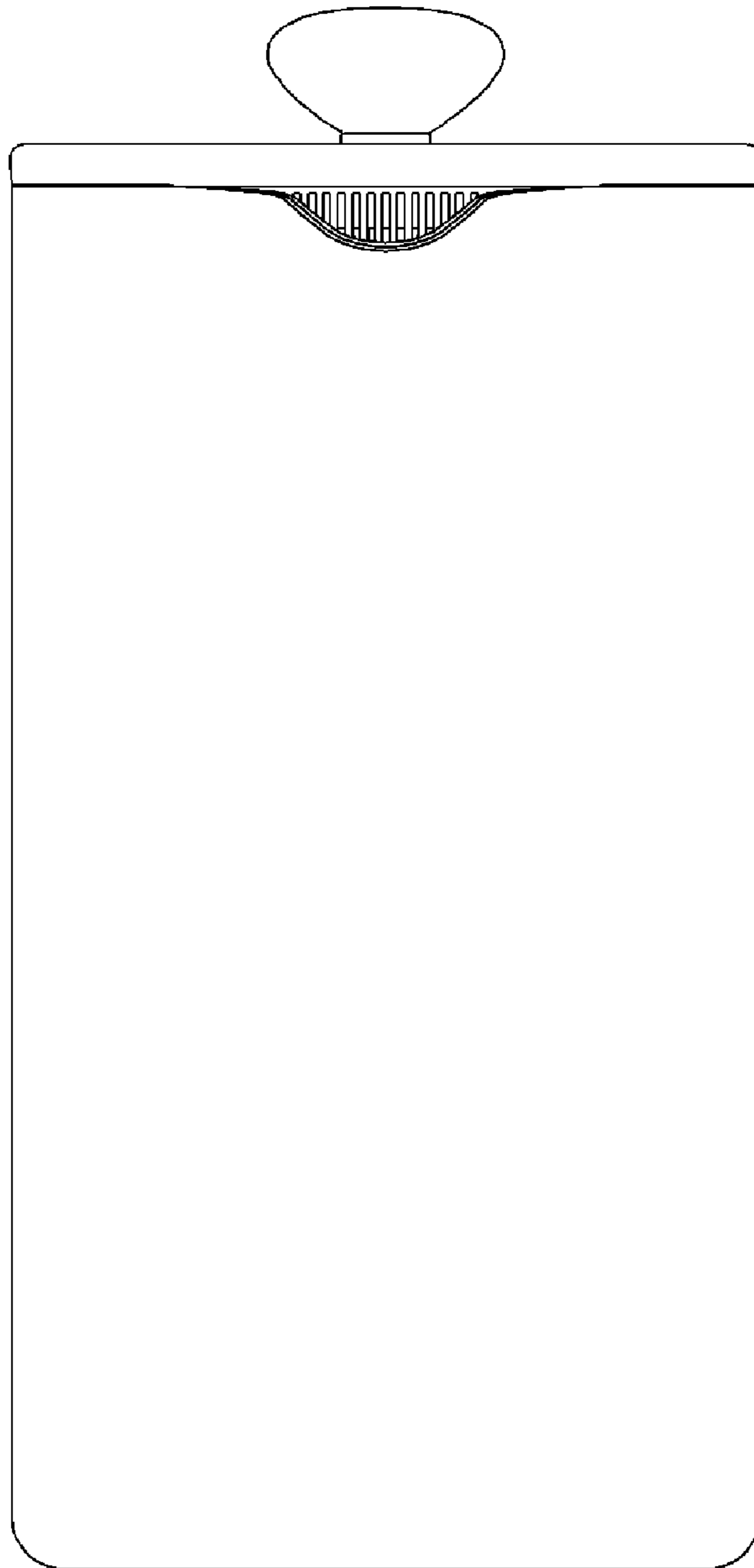


FIG. 5

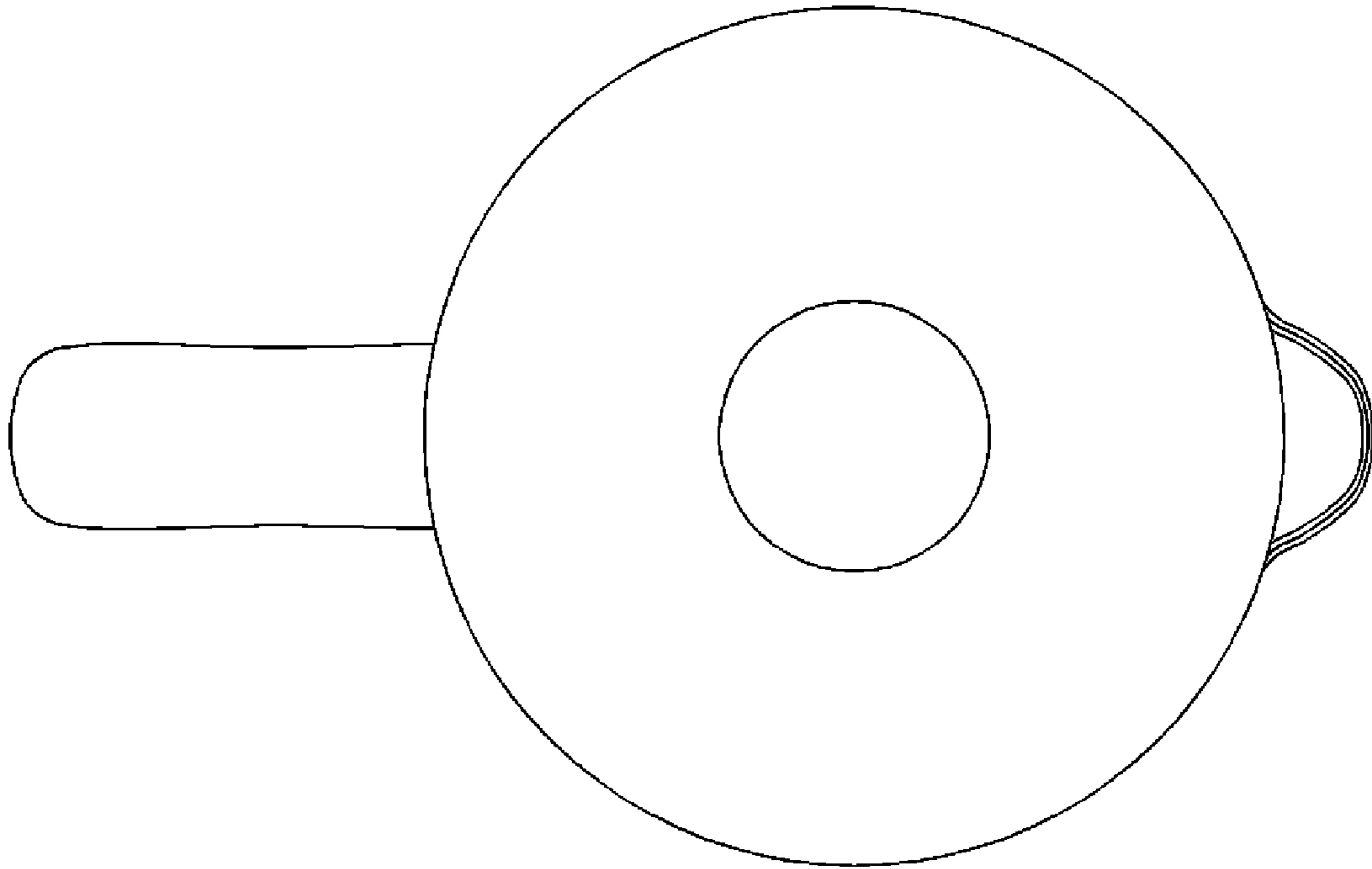


FIG. 6

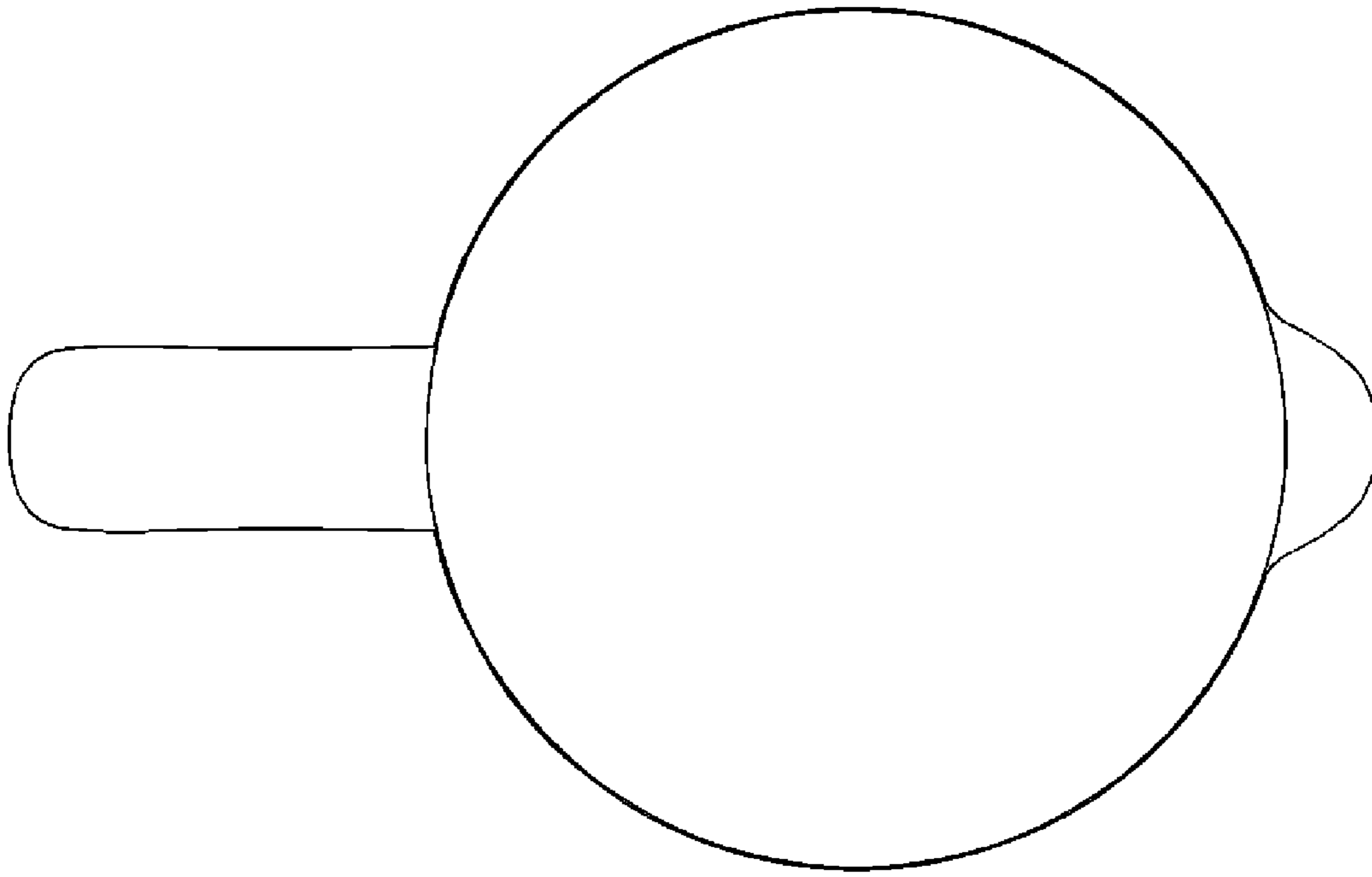


FIG. 7

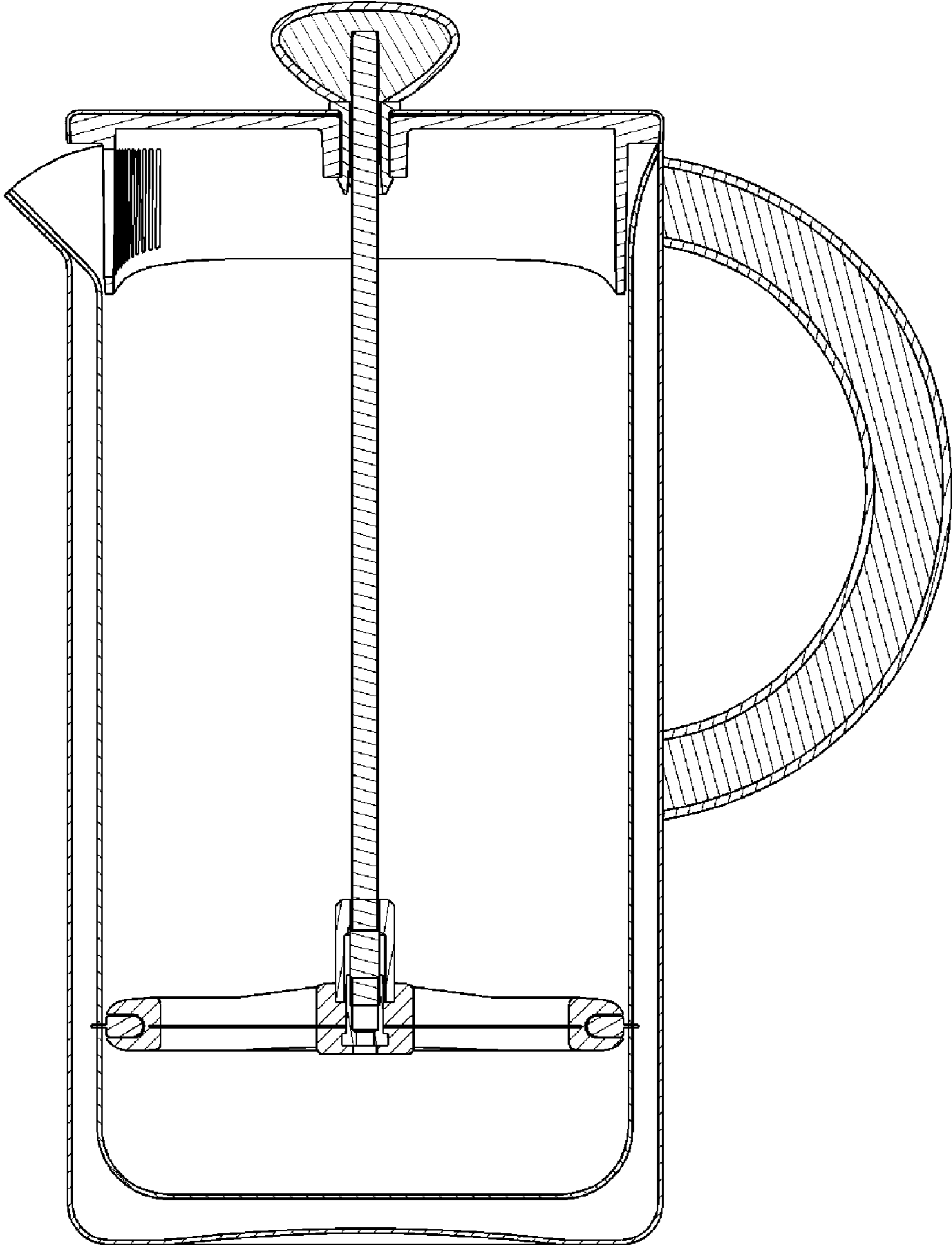


FIG. 8

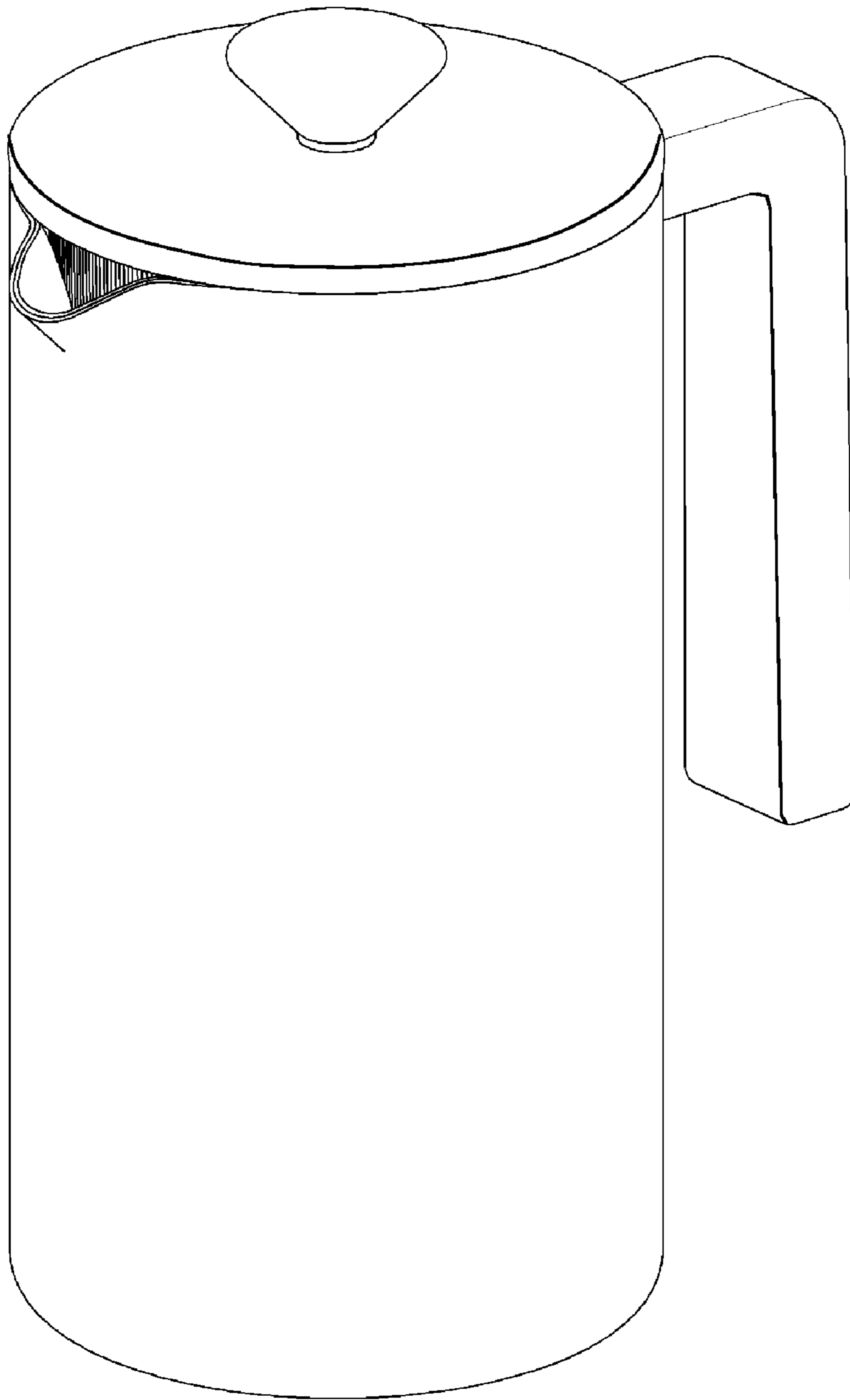


FIG. 9

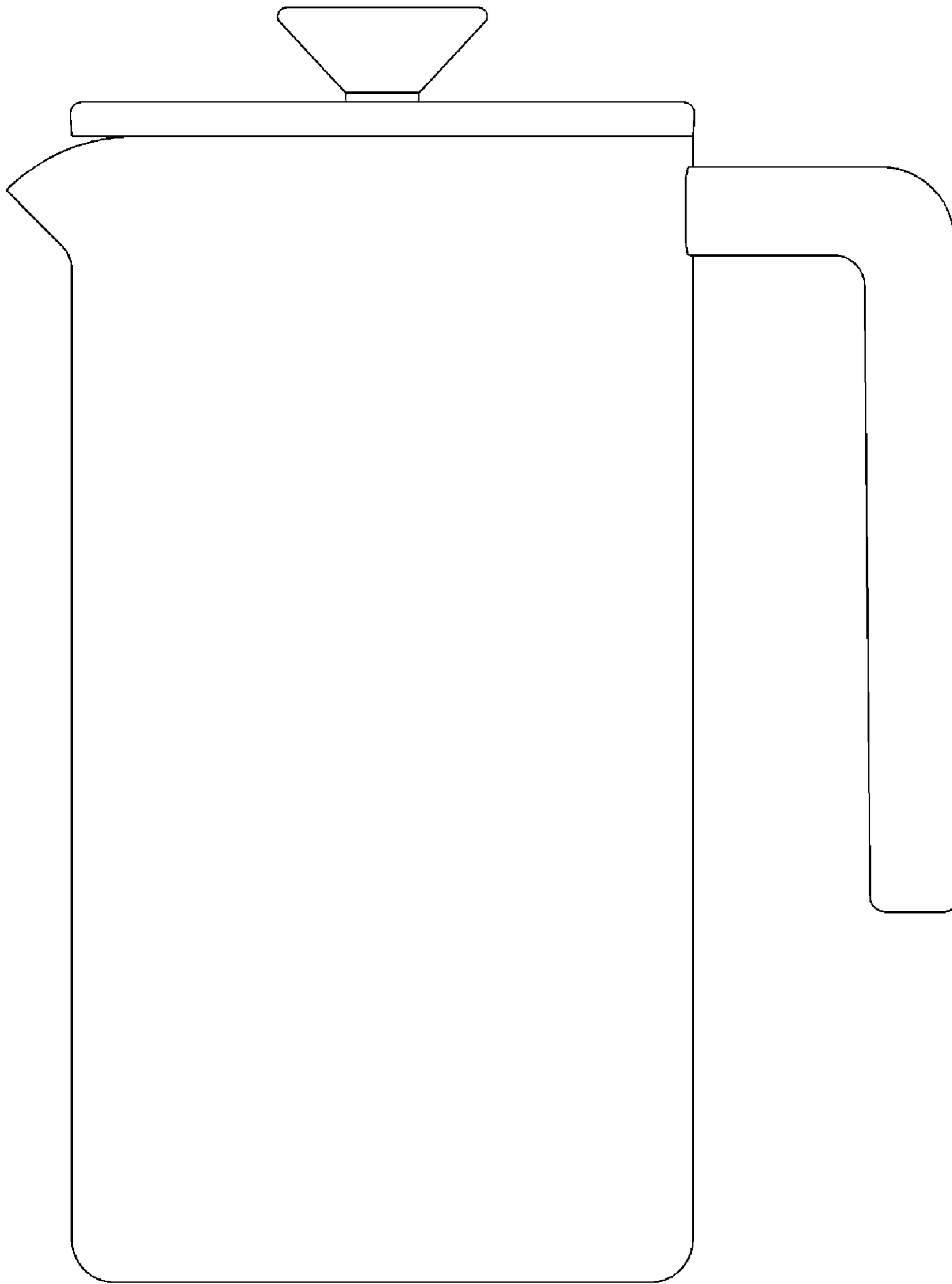


FIG. 10

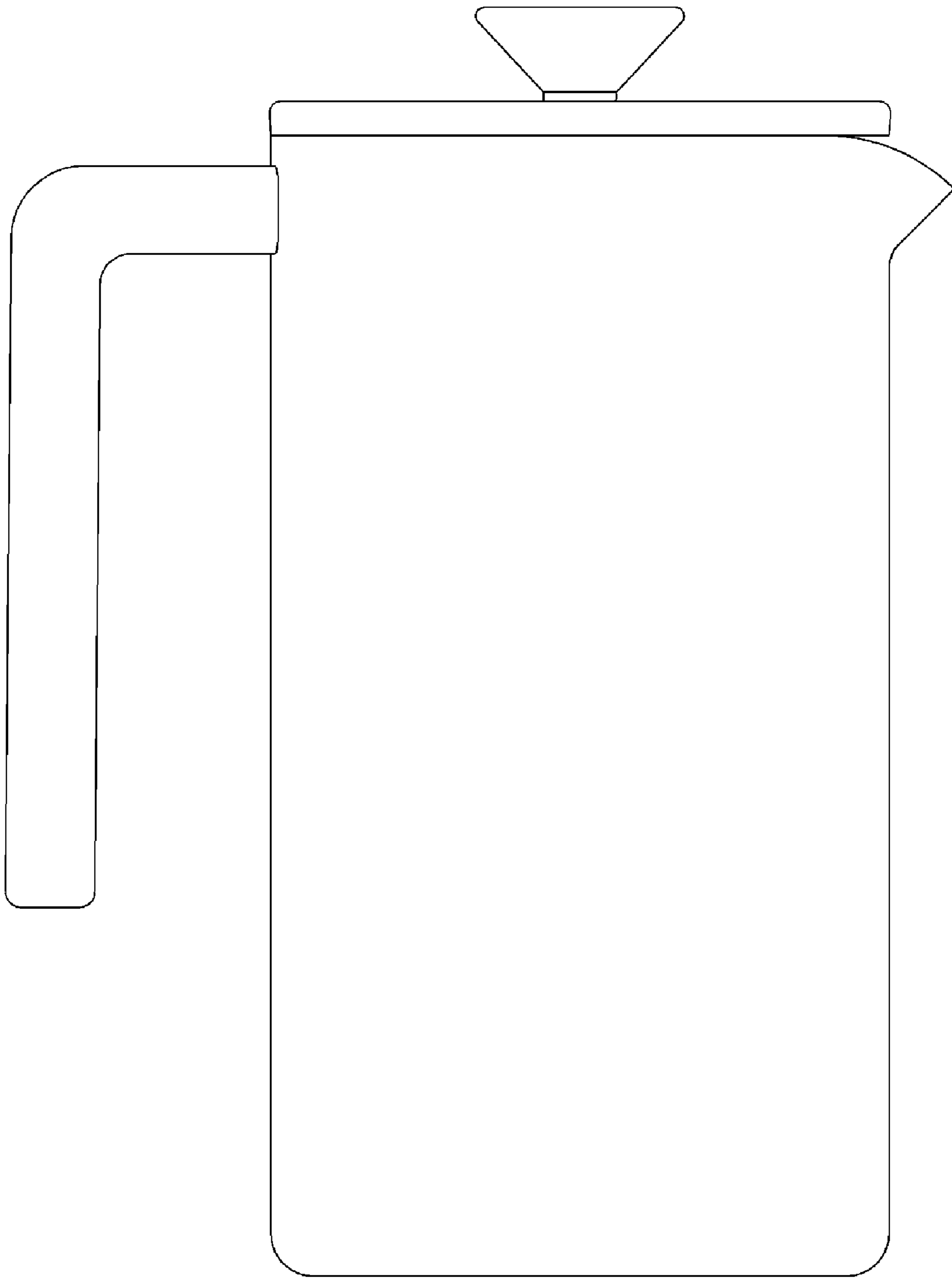


FIG. 11

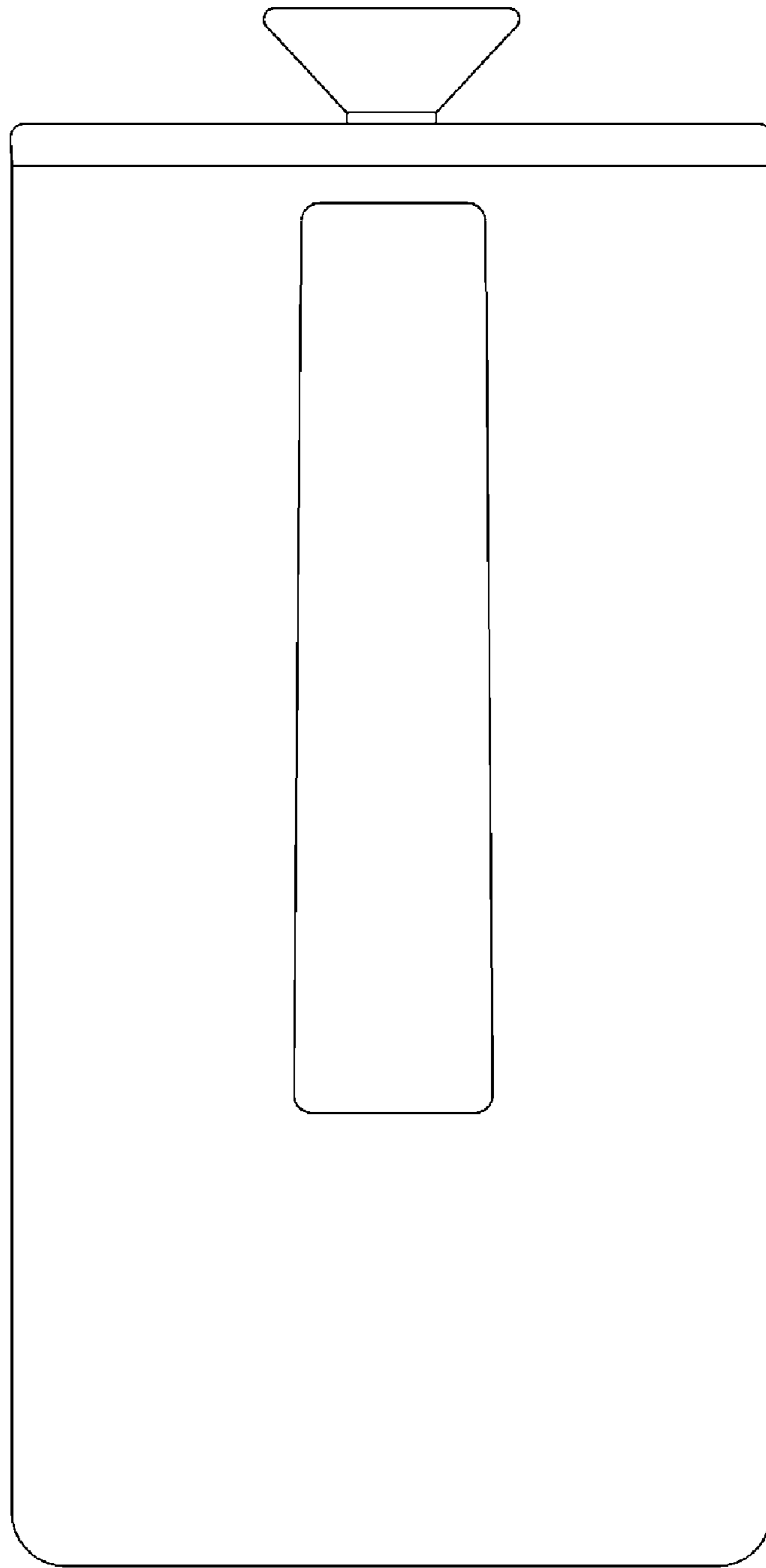


FIG. 12

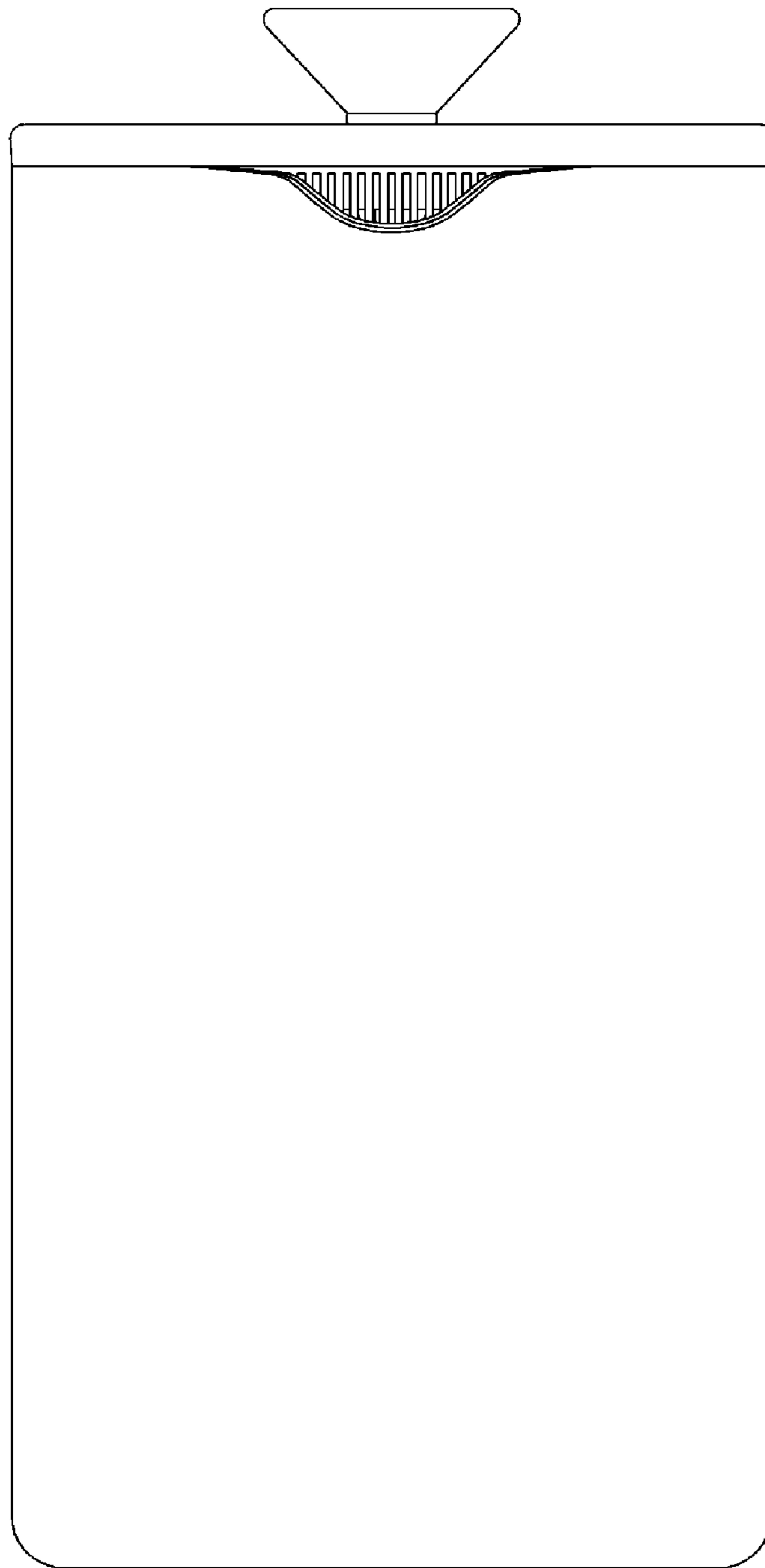


FIG. 13

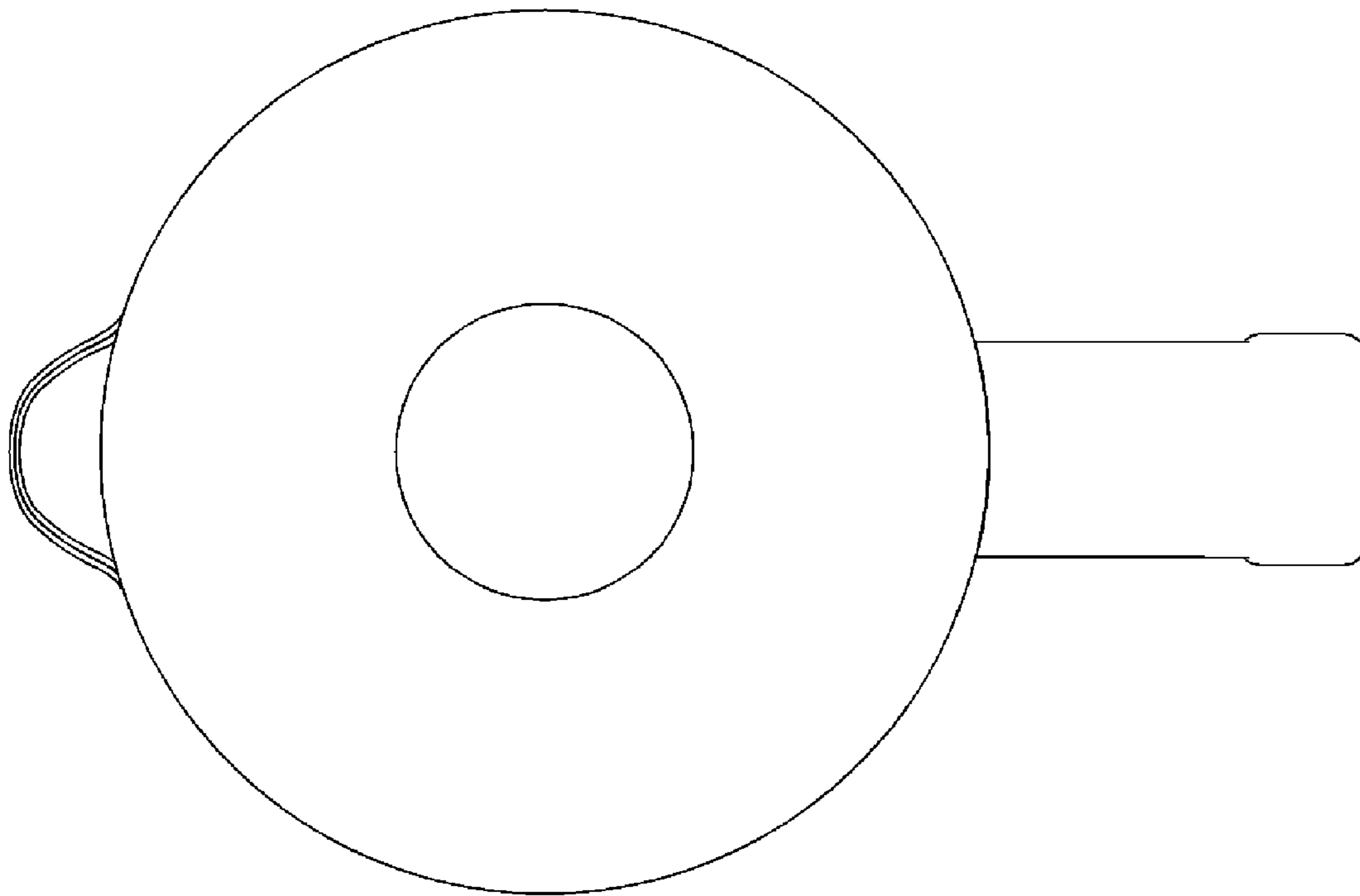


FIG. 14

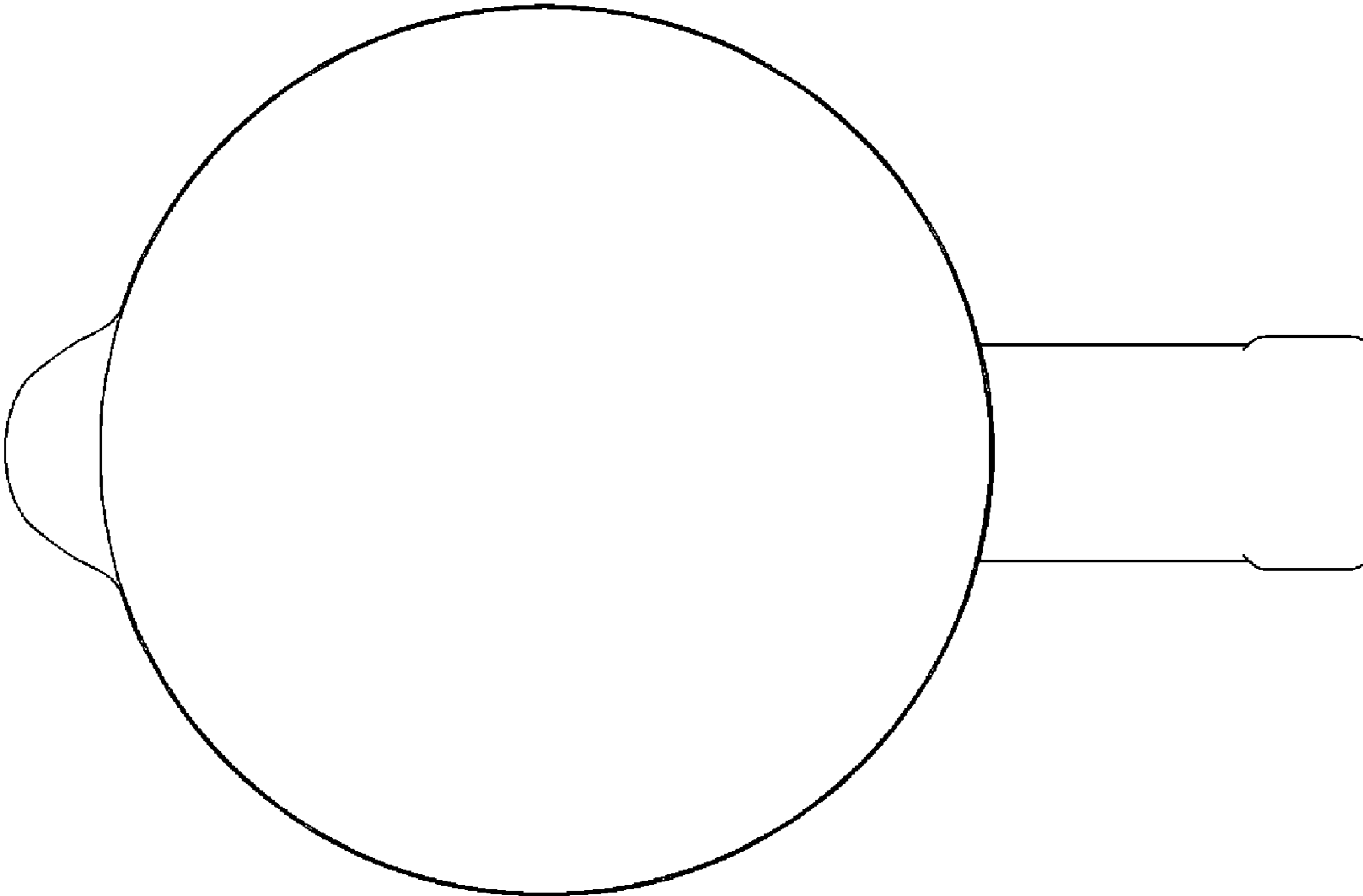


FIG. 15

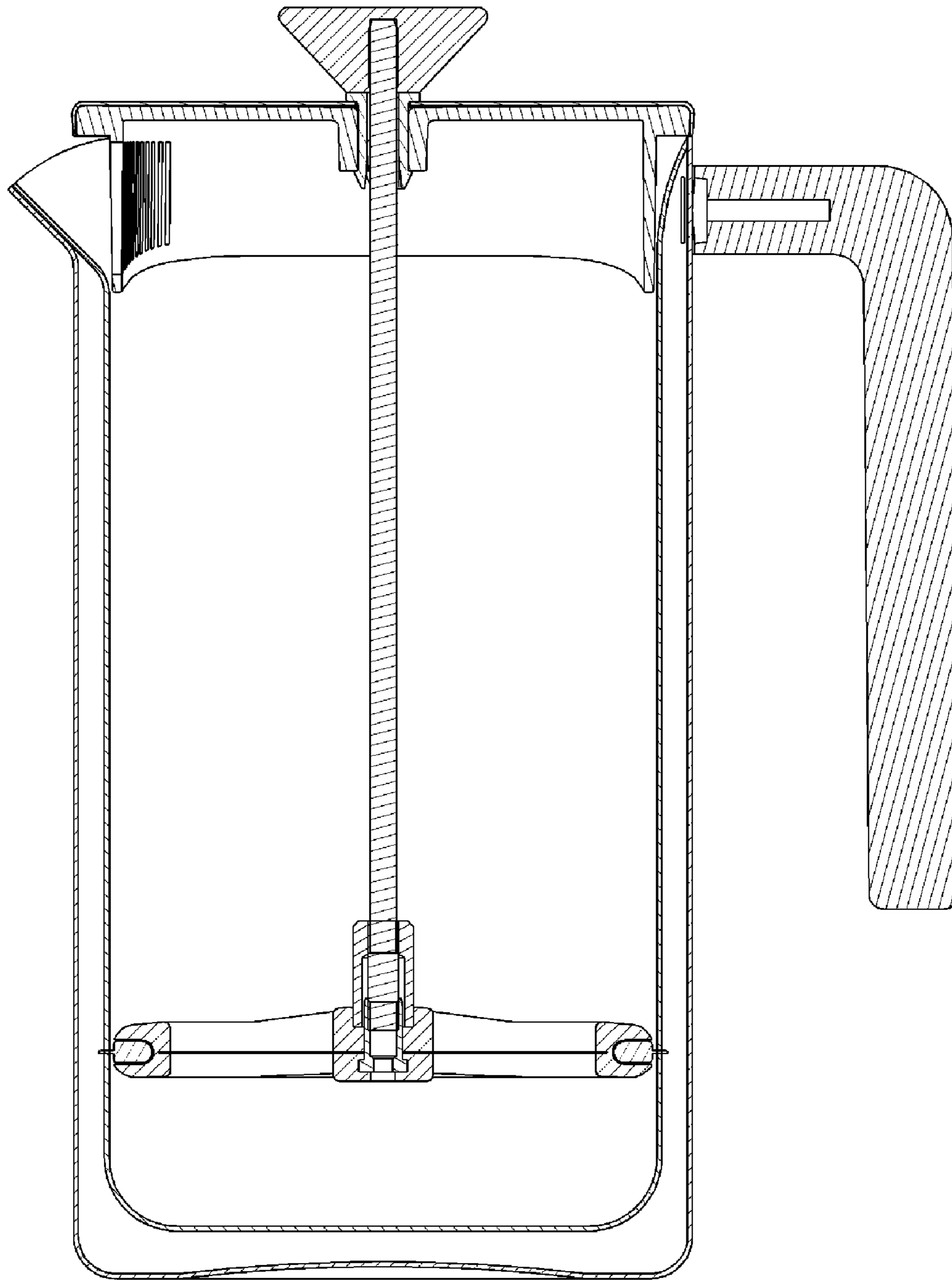


FIG. 16