



US00D584549S

(12) **United States Design Patent**
Pettigrew

(10) **Patent No.:** **US D584,549 S**

(45) **Date of Patent:** **** Jan. 13, 2009**

(54) **HOLDER FOR PAPER ROLLS**

(76) Inventor: **Errol L. Pettigrew**, 2287 106th Ave.,
Elmont, NY (US) 11003

(**) Term: **14 Years**

(21) Appl. No.: **29/302,934**

(22) Filed: **Jan. 29, 2008**

Related U.S. Application Data

(62) Division of application No. 29/276,290, filed on Jan. 22, 2007, now Pat. No. Des. 564,813.

(51) **LOC (9) Cl.** **20-02**

(52) **U.S. Cl.** **D6/520**

(58) **Field of Classification Search** D6/515-523,
D6/546-550; 206/389; 221/282-283; 312/34.8;
242/570, 590, 598, 560
See application file for complete search history.

(56) **References Cited**

U.S. PATENT DOCUMENTS

D482,916 S *	12/2003	Smurlick et al.	D6/518
D486,332 S *	2/2004	Hoernig	D6/520
D486,681 S *	2/2004	Hoernig	D6/523
D506,632 S *	6/2005	Holsclaw	D6/520
D513,680 S *	1/2006	Snell	D6/523
D540,591 S *	4/2007	Snell	D6/523

D540,593 S *	4/2007	Hoernig	D6/523
D541,089 S *	4/2007	Massaud	D6/523
D547,985 S *	8/2007	Kubota	D6/522
D550,489 S *	9/2007	Williams et al.	D6/523

* cited by examiner

Primary Examiner—Brian N Vinson

(74) *Attorney, Agent, or Firm*—Scully, Scott, Murphy & Presser, P.C.

(57) **CLAIM**

The ornamental design for a holder for paper rolls, as shown and described.

DESCRIPTION

FIG. 1 is an exploded top, front, and right side perspective view of a holder for paper rolls showing my new design, the broken-line disclosure being for illustrative purposes only and forming no part of the claimed design;

FIG. 2 is a front elevational view thereof;

FIG. 3 is a rear elevational view thereof;

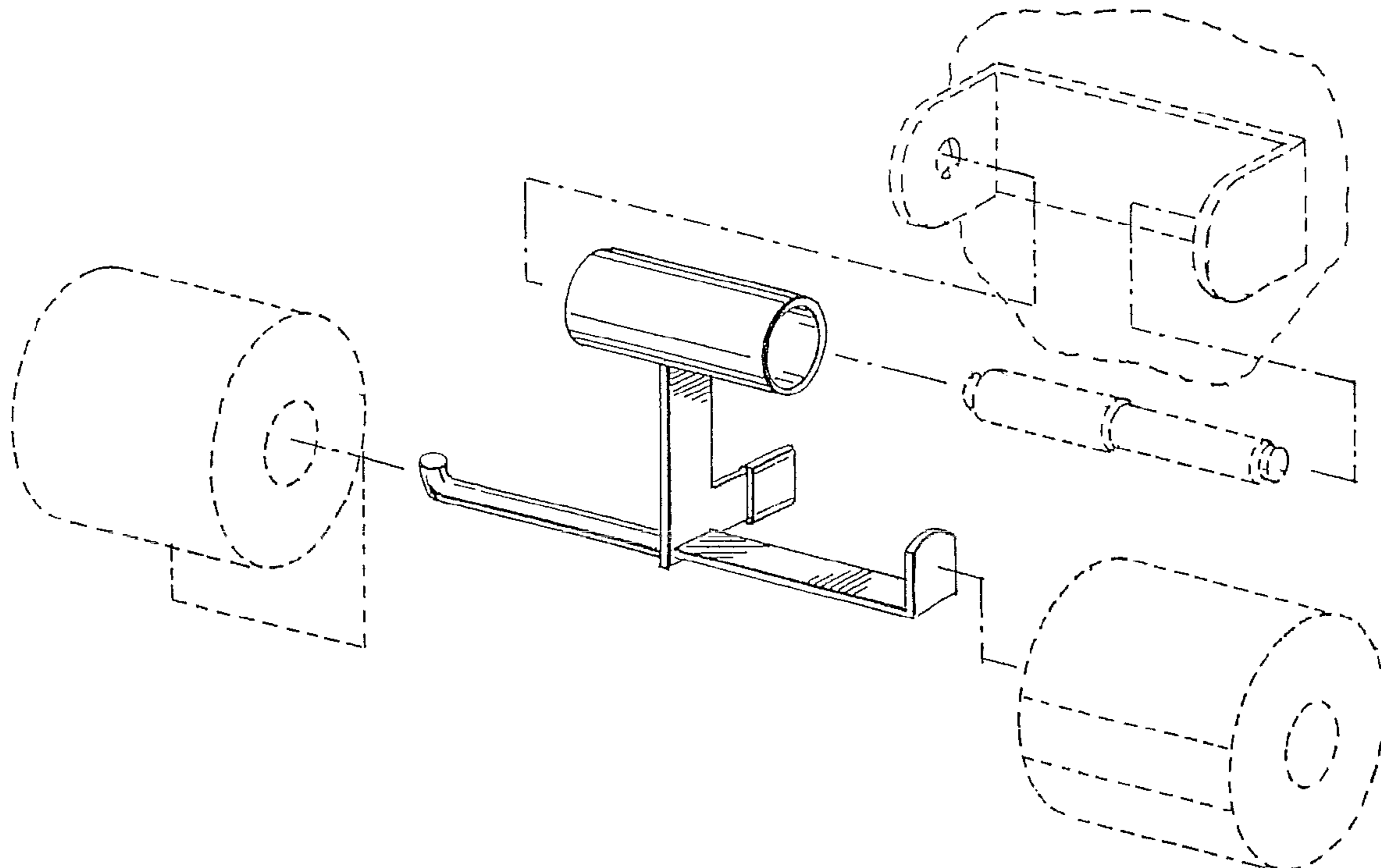
FIG. 4 is a right side elevational view thereof;

FIG. 5 is a left side elevational view thereof;

FIG. 6 is a top plan view thereof; and,

FIG. 7 is a bottom plan view thereof.

1 Claim, 1 Drawing Sheet



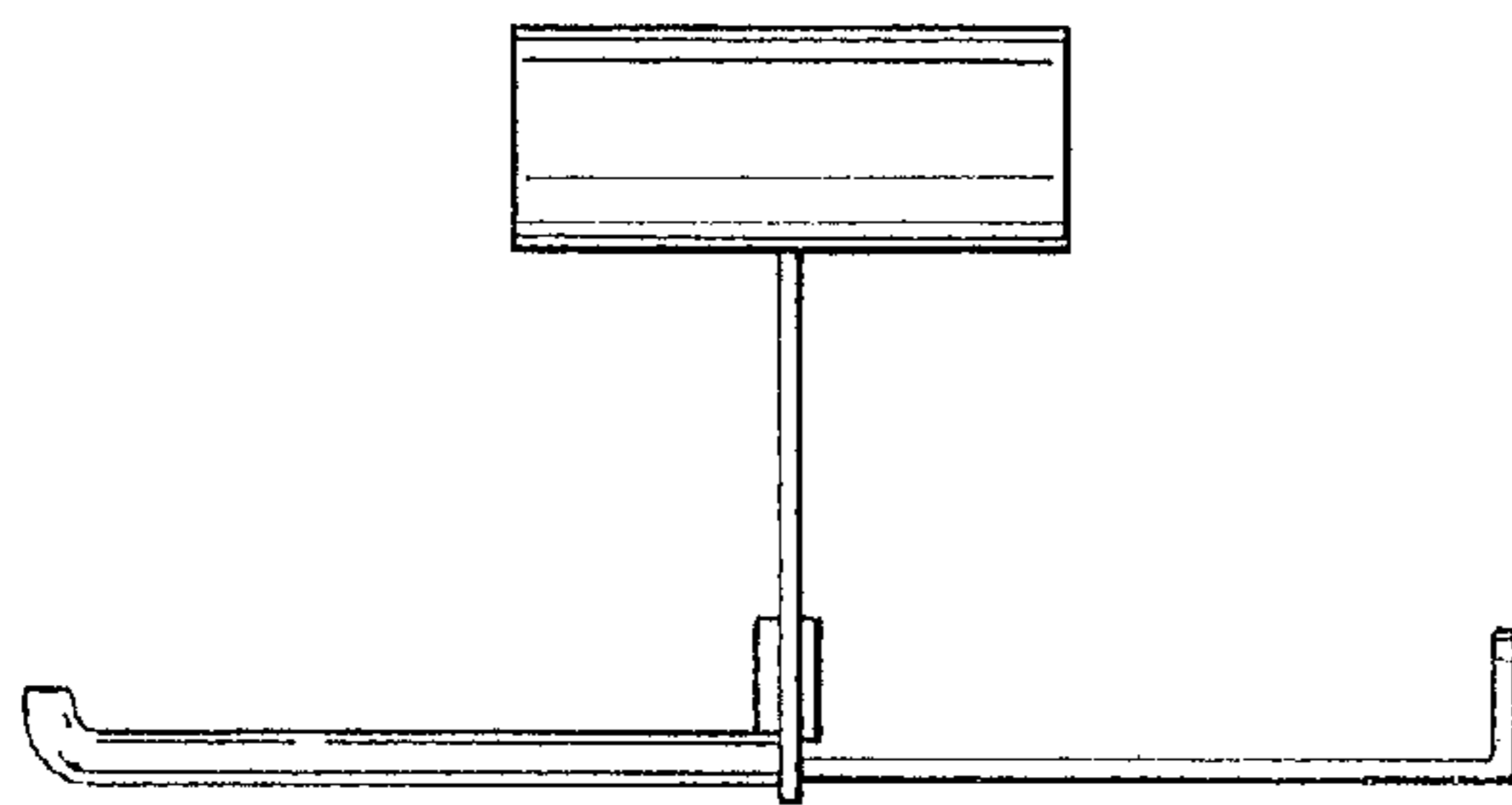
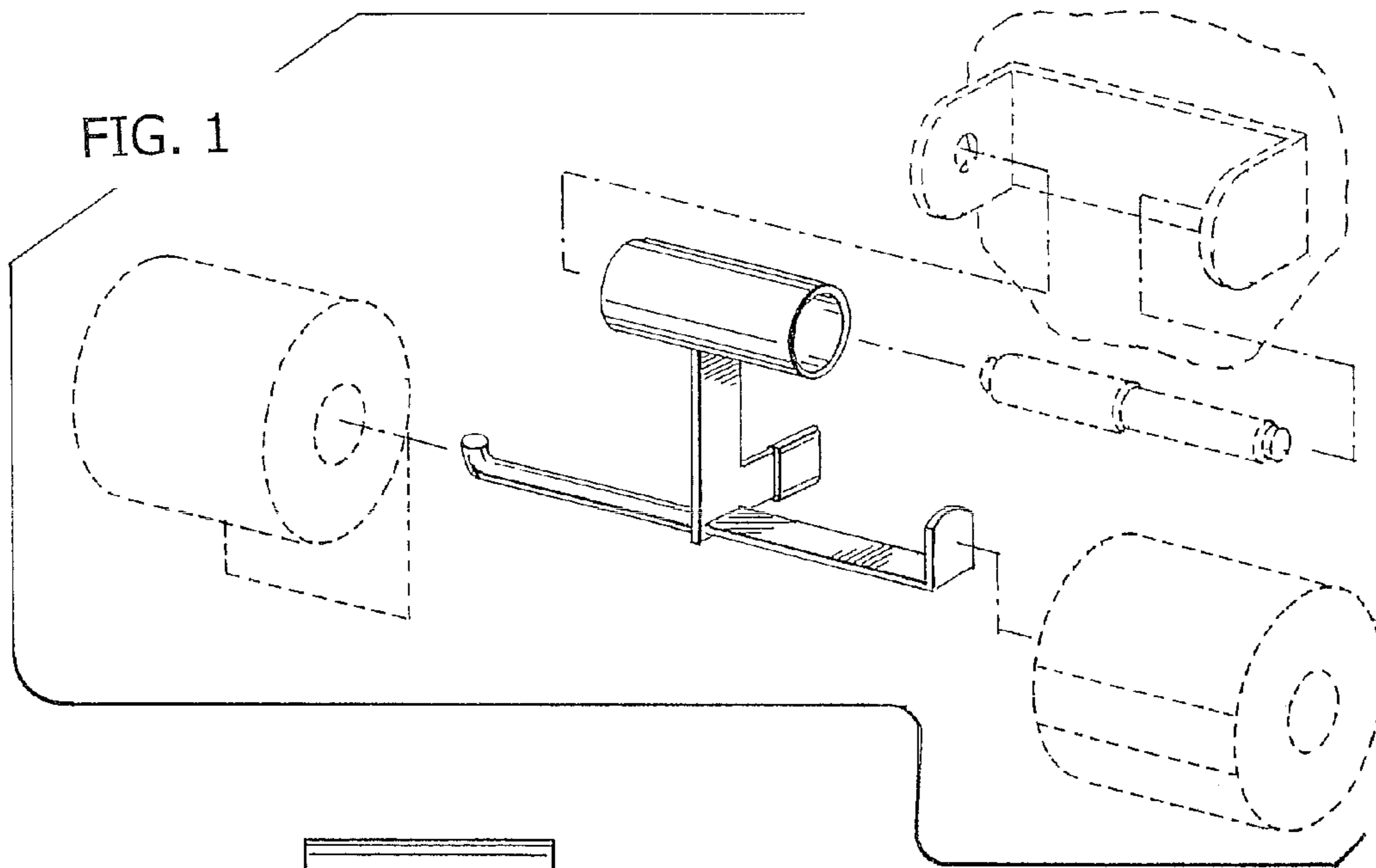


FIG. 2

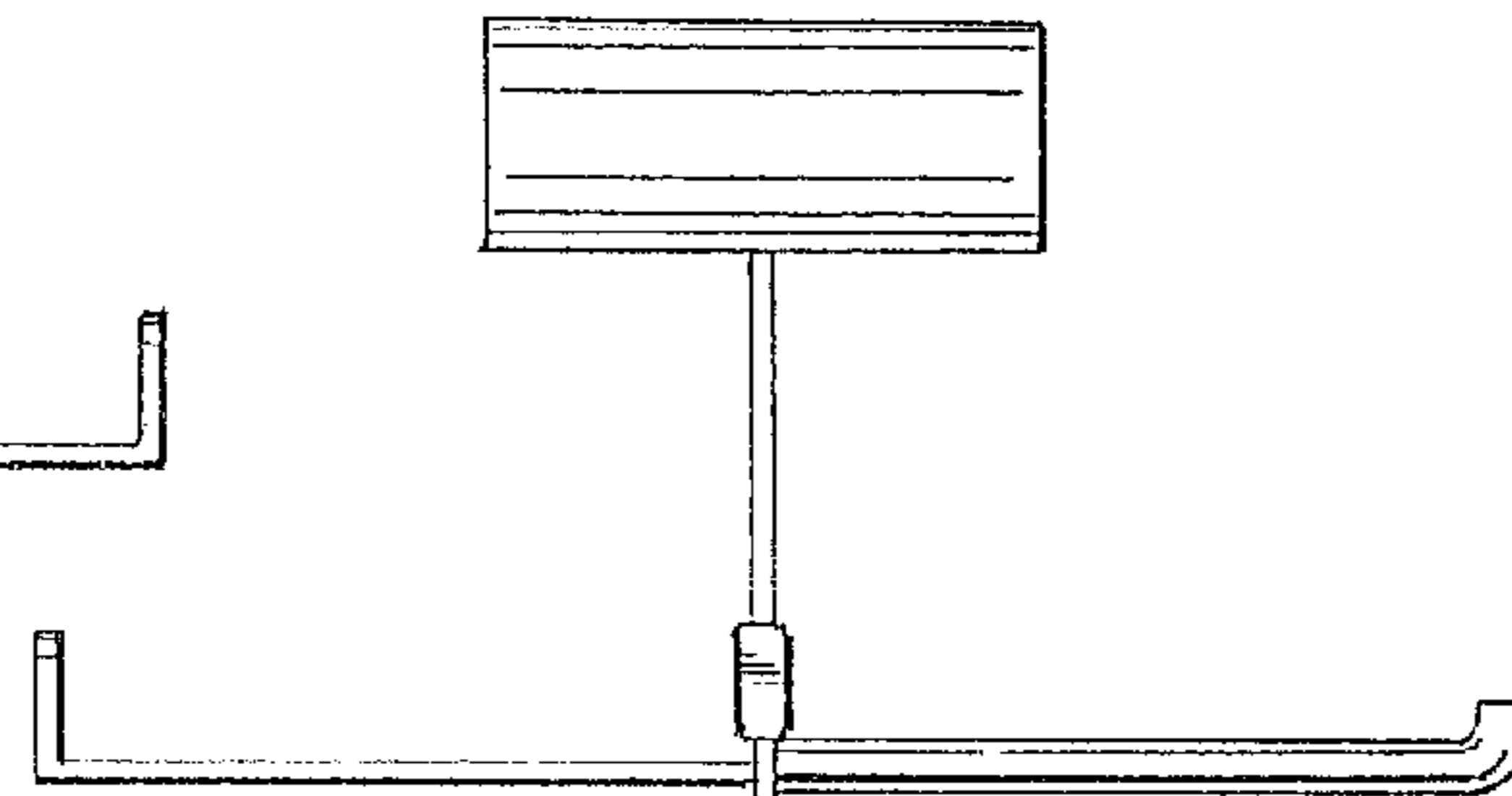


FIG. 3

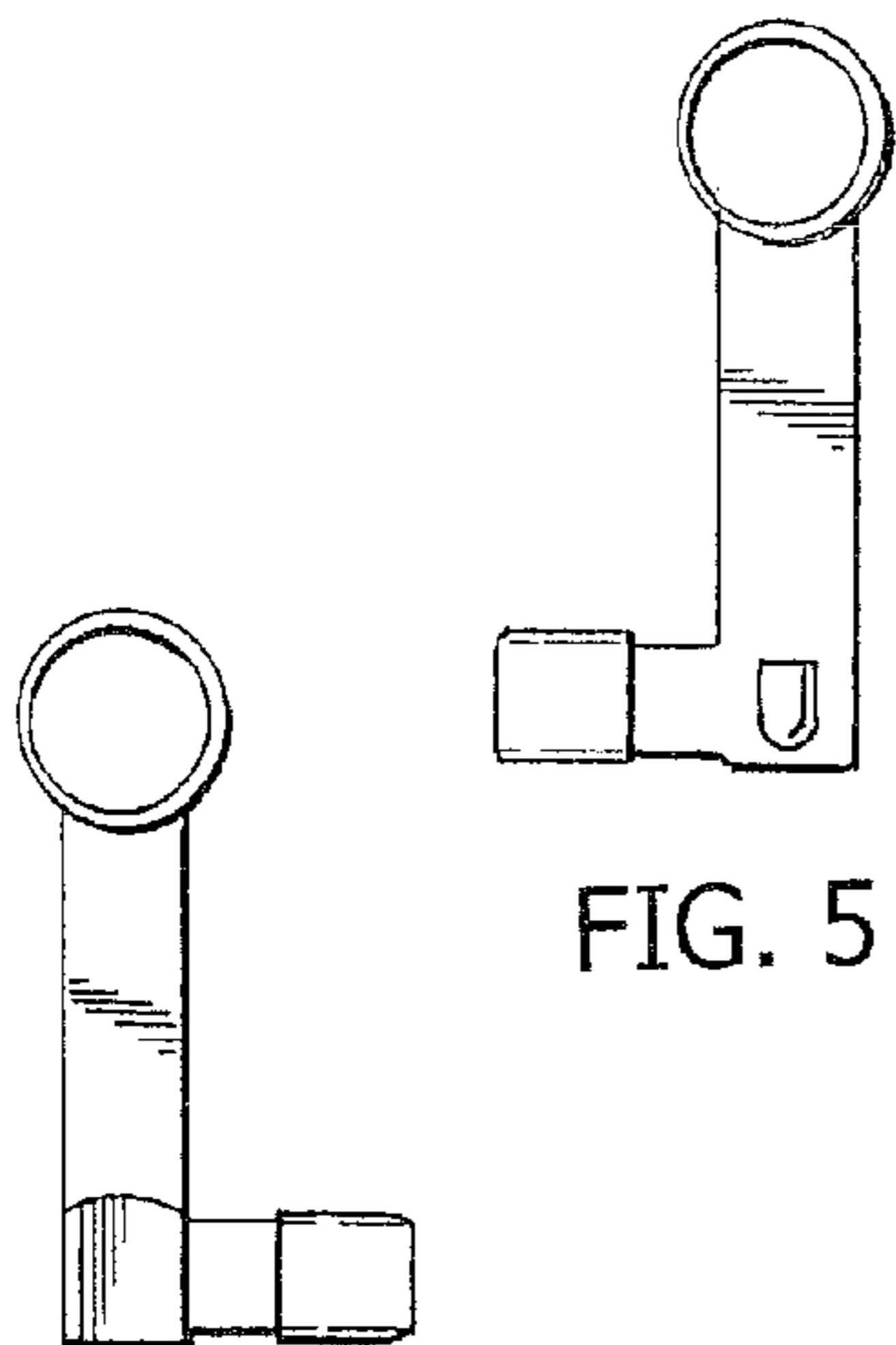


FIG. 5

FIG. 4

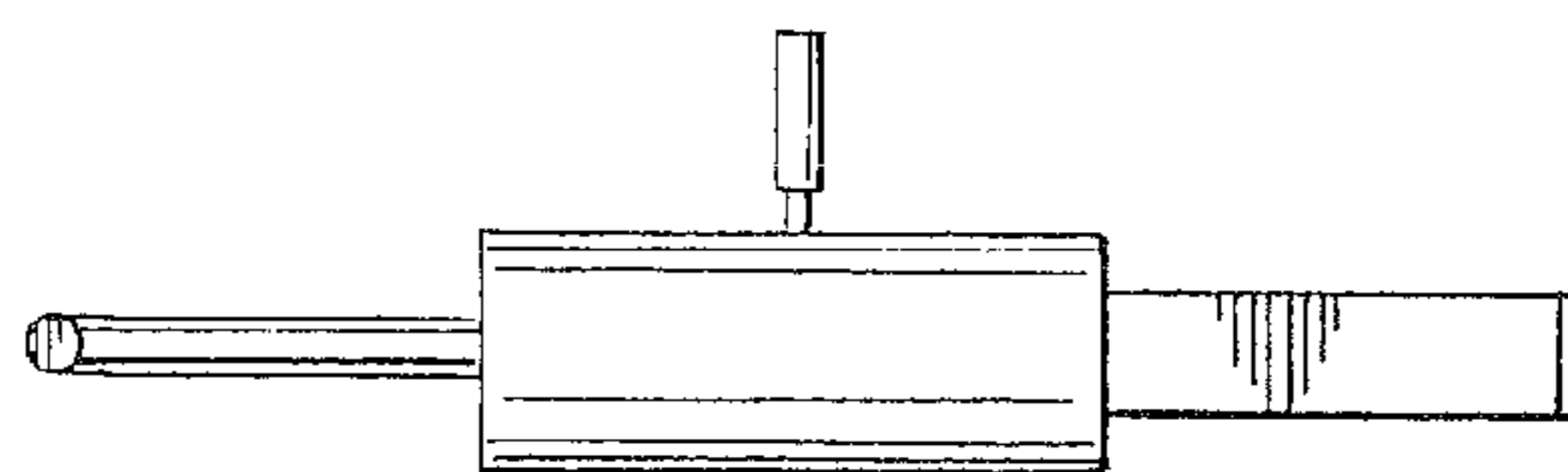


FIG. 6

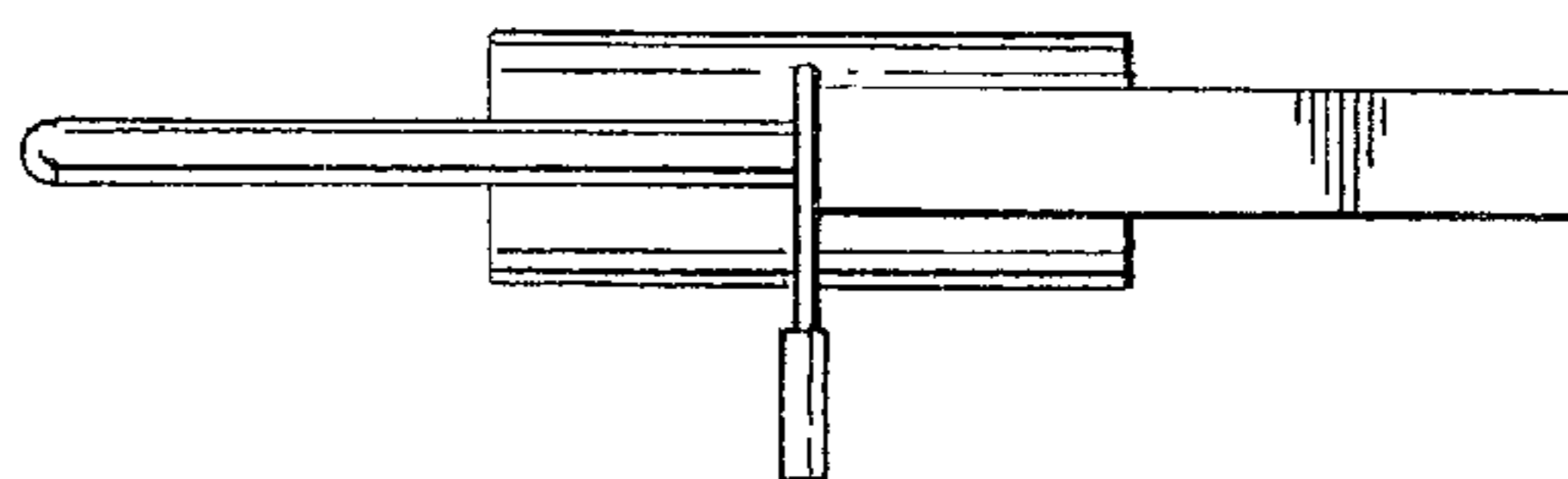


FIG. 7