



US00D584548S

(12) **United States Design Patent**  
**Parker et al.**

(10) **Patent No.:** **US D584,548 S**  
(45) **Date of Patent:** **\*\* Jan. 13, 2009**

(54) **BOTTLE DISPENSER AND DISPLAY**

(75) Inventors: **Aaron Scott Parker**, Nanuet, NY (US);  
**Joshua Michael Broehl**, Worthington,  
OH (US); **James Huang Lua**,  
Columbus, OH (US)

(73) Assignee: **PepsiCo, Inc.**, Purchase, NY (US)

(\*\*) Term: **14 Years**

(21) Appl. No.: **29/295,302**

(22) Filed: **Sep. 25, 2007**

(51) **LOC (9) Cl.** ..... **20-02**

(52) **U.S. Cl.** ..... **D6/515**

(58) **Field of Classification Search** ..... D6/515-523;  
206/389, 391; 211/13.1, 16, 44, 49.1, 50,  
211/59.2, 86.01; 222/173, 181.1; 221/282,  
221/283; 312/34, 34.8, 34.22, 309.1  
See application file for complete search history.

(56) **References Cited**

**U.S. PATENT DOCUMENTS**

D381,849 S \* 8/1997 Snyder ..... D6/515

5,788,117 A \* 8/1998 Zimmanck ..... 221/285  
D402,837 S \* 12/1998 Boire et al. .... D6/515  
D499,914 S \* 12/2004 Rimback ..... D6/515  
D563,127 S \* 3/2008 Henry et al. .... D6/515

\* cited by examiner

*Primary Examiner*—Brian N Vinson

(74) *Attorney, Agent, or Firm*—Banner & Witcoff, Ltd.

(57) **CLAIM**

The ornamental design for a bottle dispenser and display, as shown and described.

**DESCRIPTION**

FIG. 1 is a front right perspective view showing our design of a bottle dispenser and display;

FIG. 2 is a left view thereof;

FIG. 3 is a right view thereof;

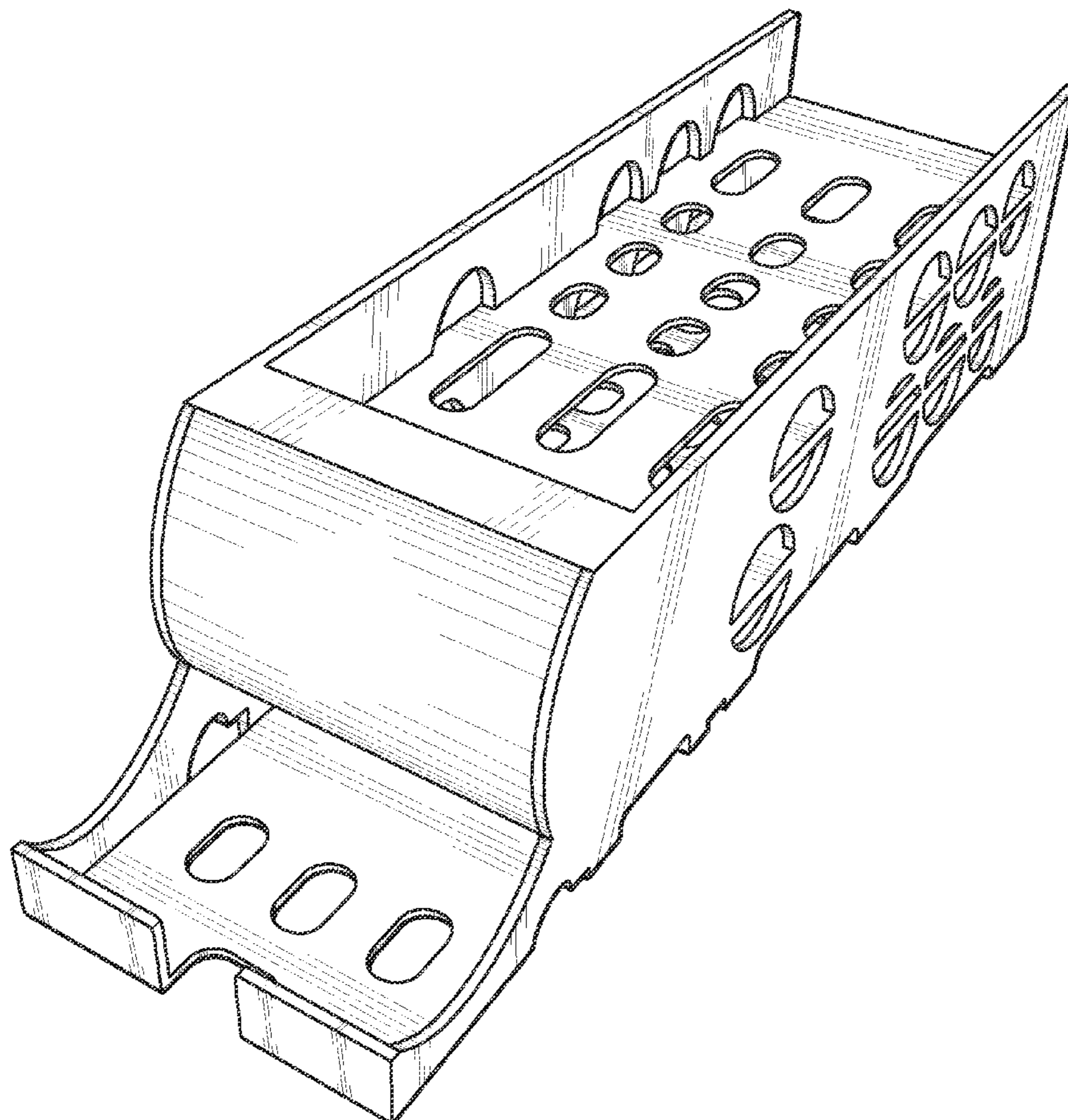
FIG. 4 is a front view thereof;

FIG. 5 is a rear view thereof;

FIG. 6 is a top view thereof; and,

FIG. 7 is a bottom view thereof.

**1 Claim, 6 Drawing Sheets**



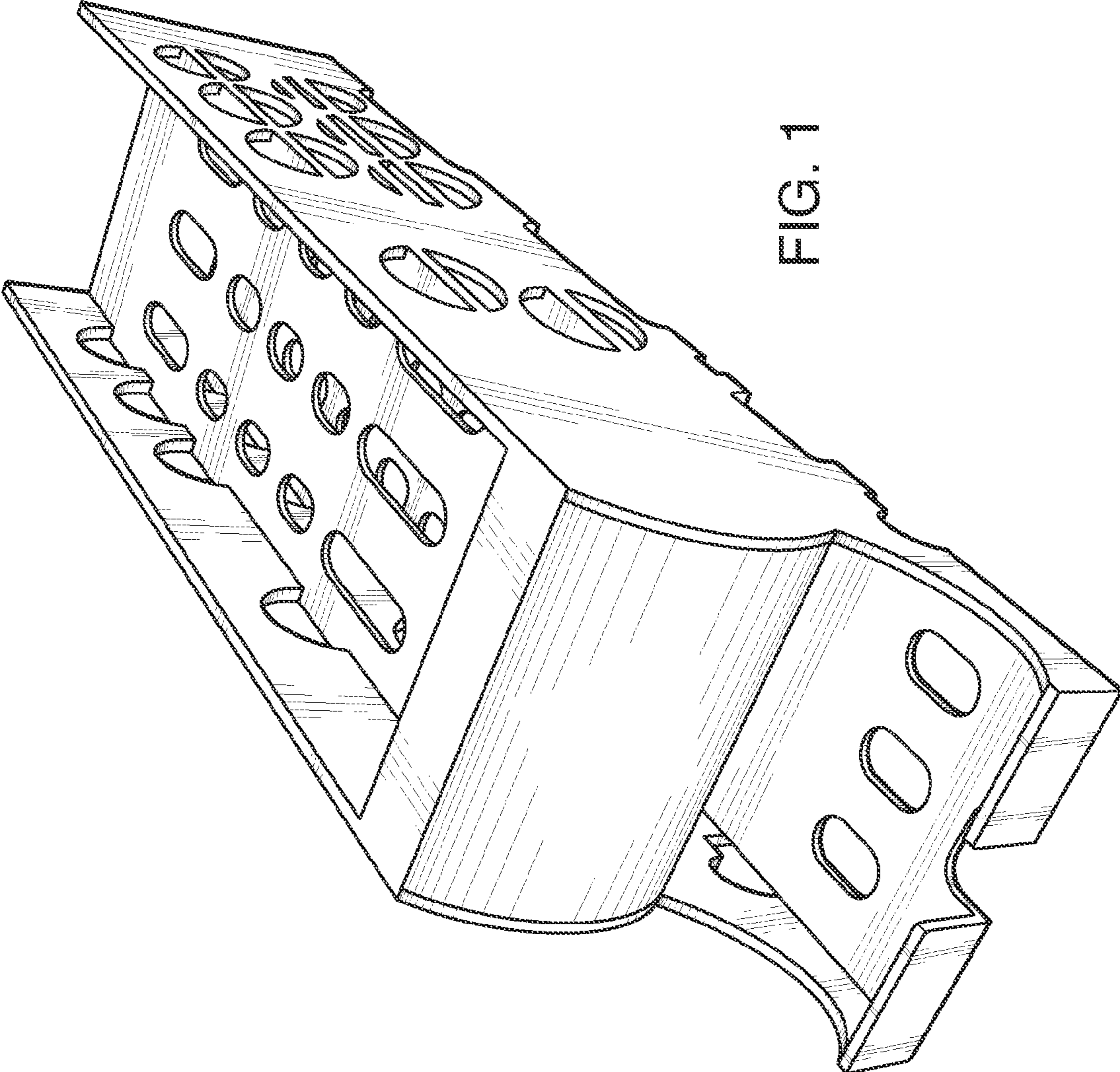


FIG. 1

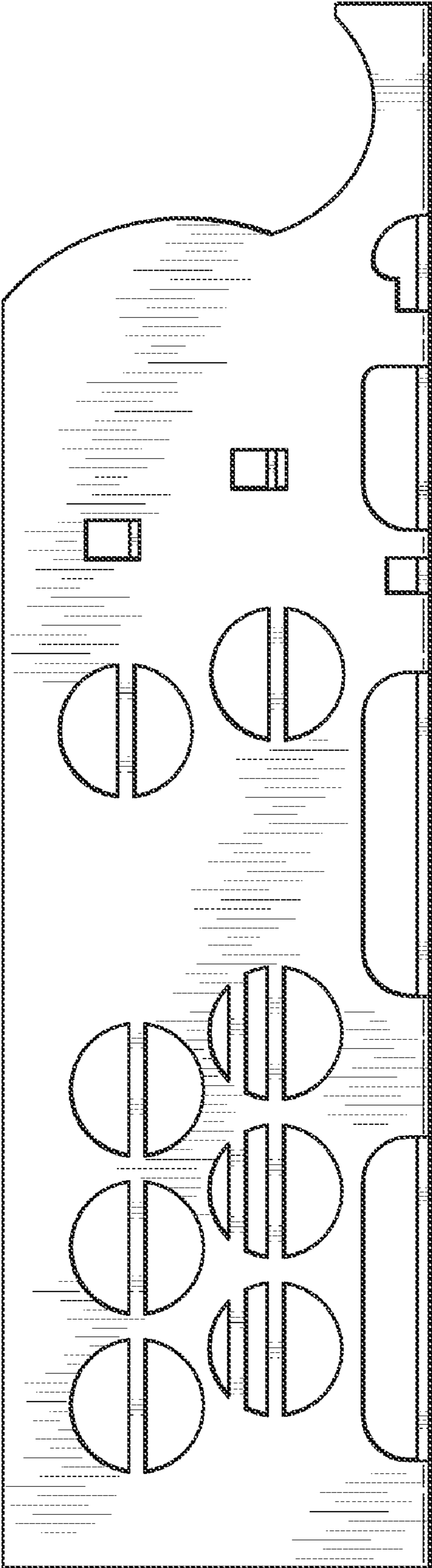


FIG. 2

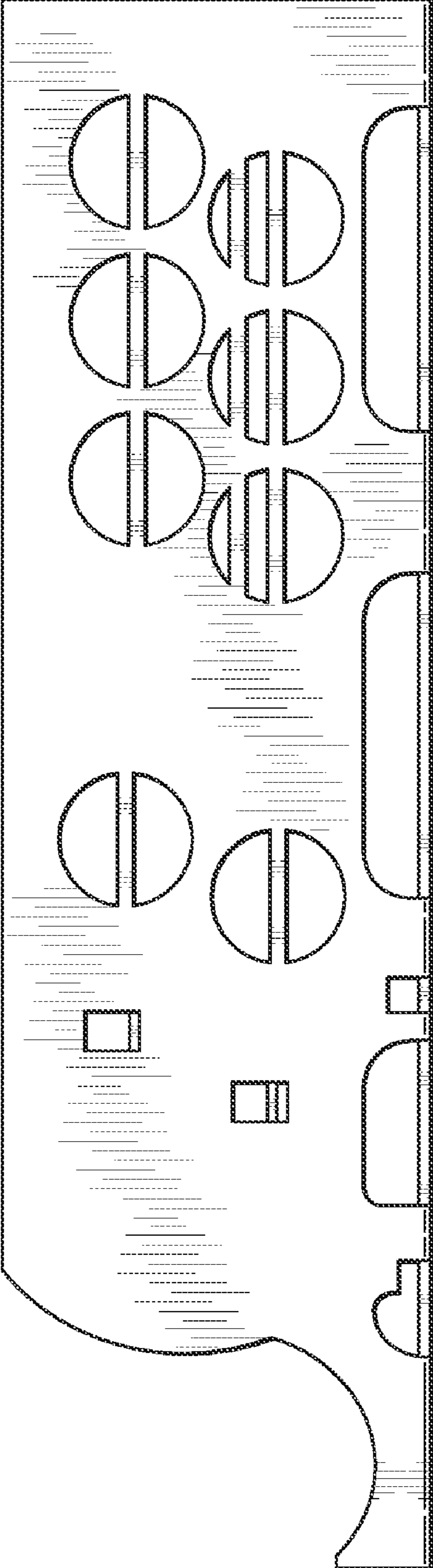


FIG. 3

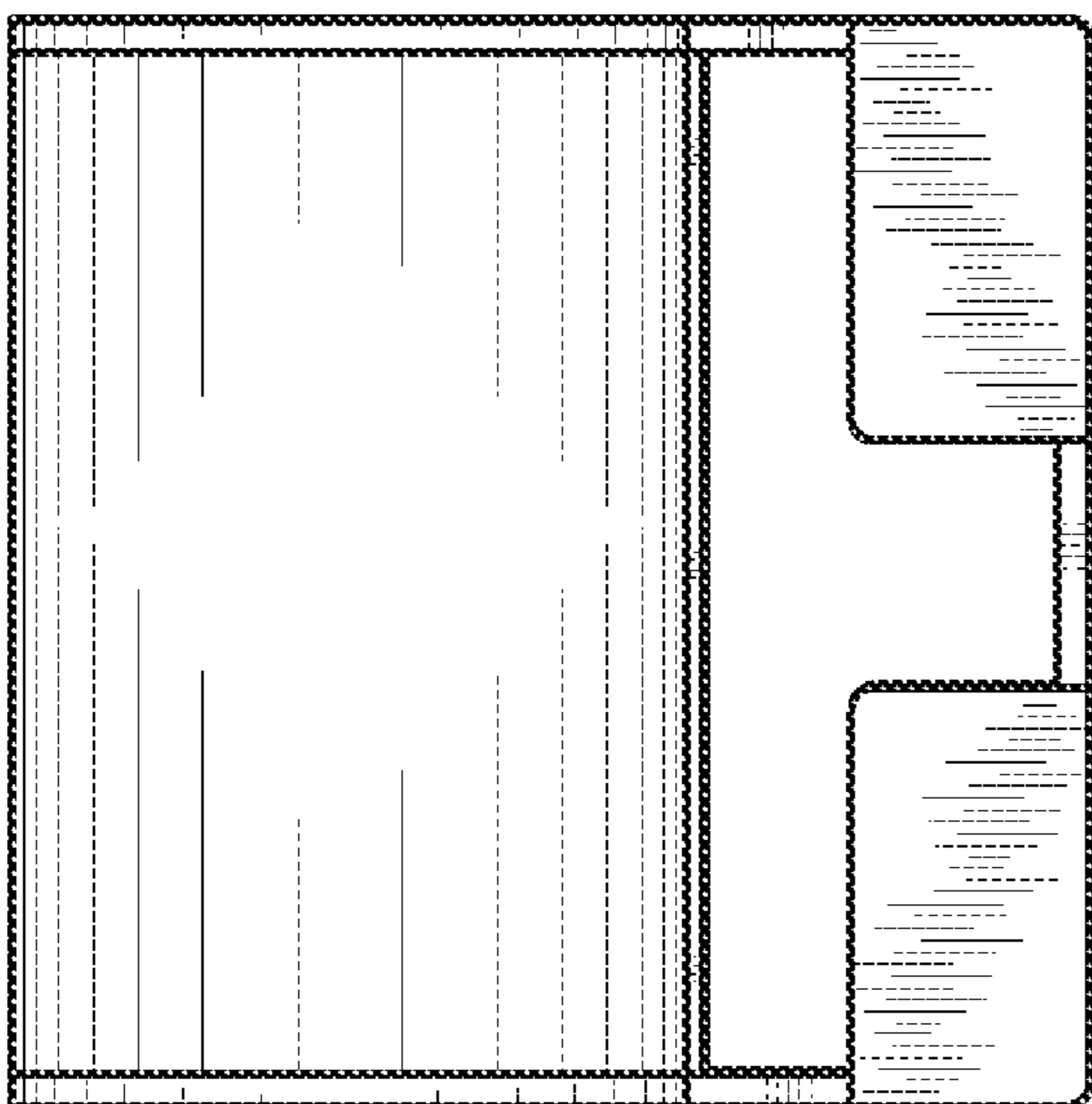


FIG. 4

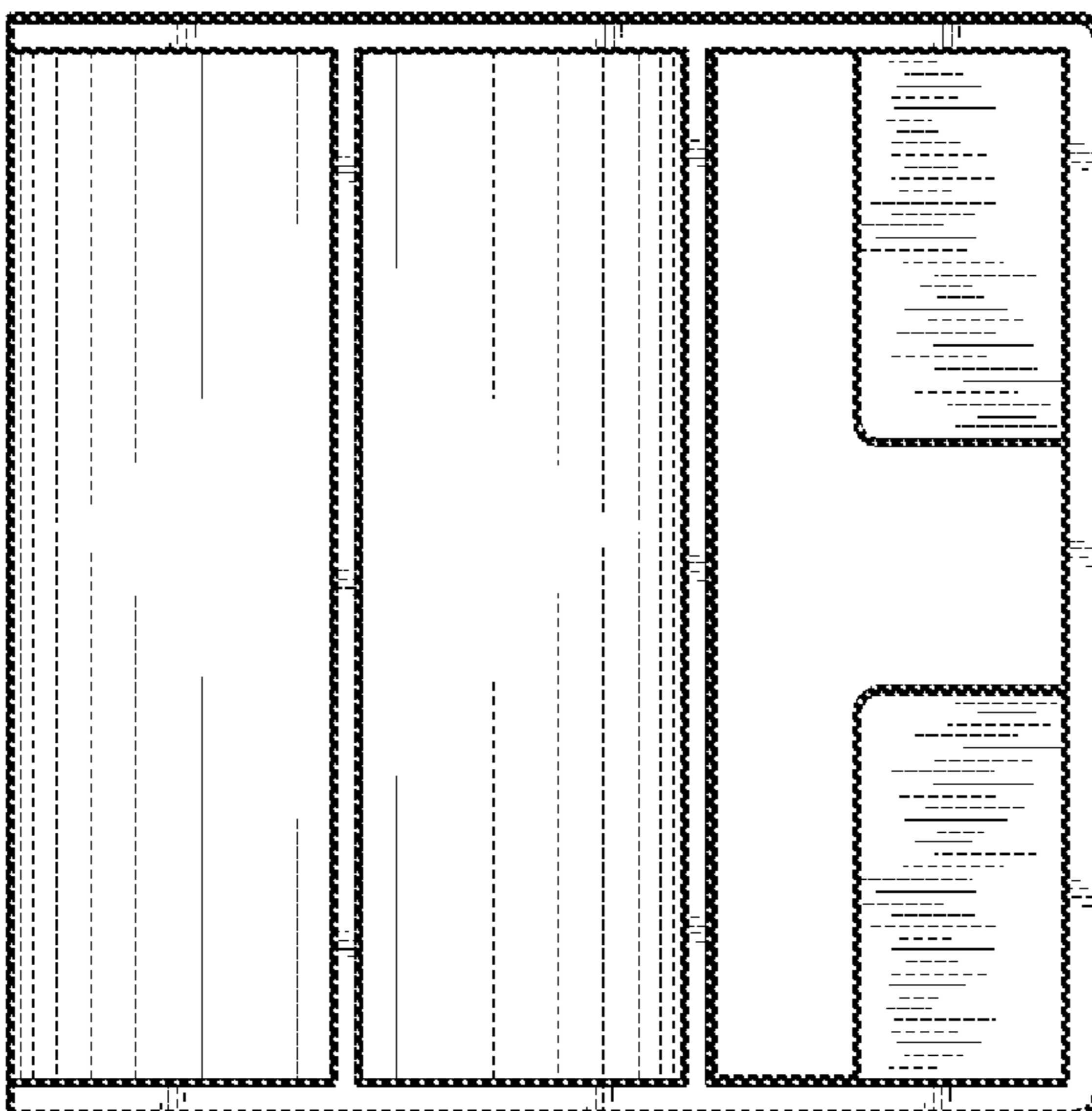


FIG. 5

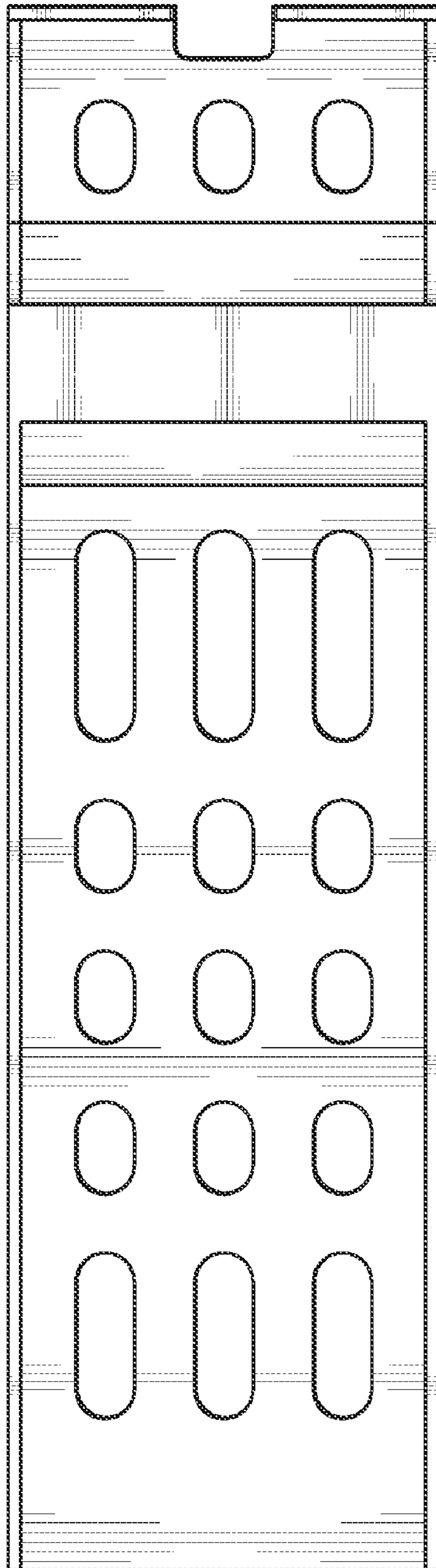


FIG. 6

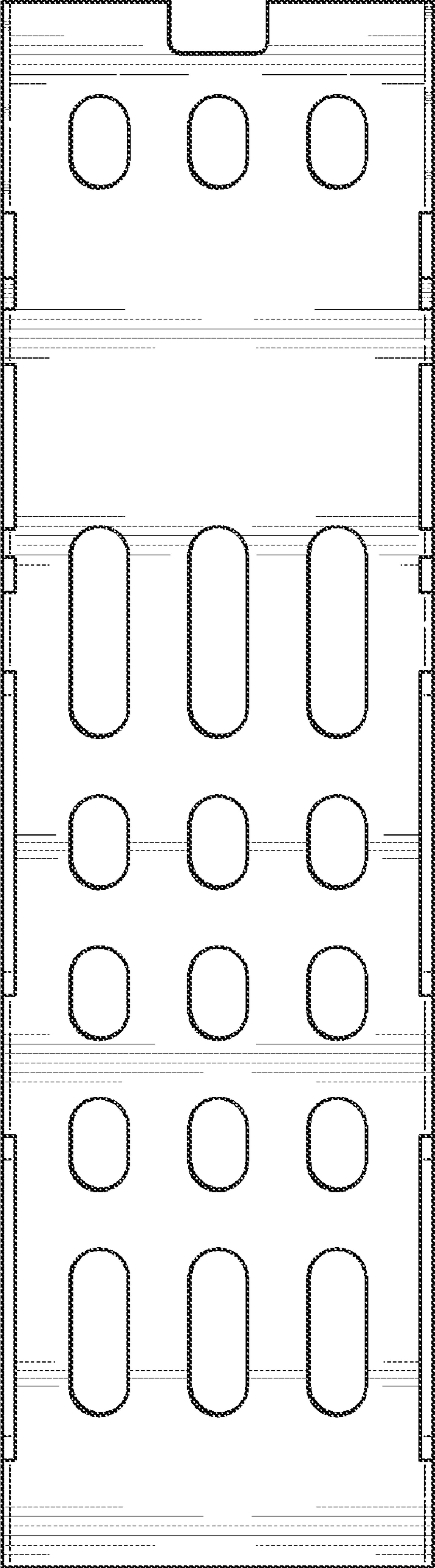


FIG. 7