



US00D584547S

(12) **United States Design Patent**
Merrick et al.

(10) **Patent No.:** **US D584,547 S**
(45) **Date of Patent:** **** Jan. 13, 2009**

(54) **FACADE FOR A CANNED PET FOOD DISPENSER**

Primary Examiner—Brian N Vinson
(74) *Attorney, Agent, or Firm*—Charles D. Gunter, Jr.

(75) Inventors: **Tyler W. Merrick**, Amarillo, TX (US);
Darren D. Dunham, Amarillo, TX (US)

(57) **CLAIM**

(73) Assignee: **Merrick Pet Care, Ltd.**, Amarillo, TX (US)

The ornamental design for a facade for a canned pet food dispenser, as shown and described.

(**) Term: **14 Years**

DESCRIPTION

(21) Appl. No.: **29/288,661**

FIG. 1 is a perspective view of the facade for a canned pet food dispenser of the invention in place on the front of a rack used for dispensing cans, the rack being shown in phantom lines as not forming a part of the invention;

(22) Filed: **Jun. 19, 2007**

(51) **LOC (9) Cl.** **20-02**

(52) **U.S. Cl.** **D6/515**

(58) **Field of Classification Search** D6/515–523;
206/389, 391; 211/13.1, 16, 44, 49.1, 50,
211/59.2, 86.01; 222/173, 181.1; 221/282,
221/283; 312/34, 34.8, 34.22, 309.1
See application file for complete search history.

FIG. 2 is a close-up view of the facade for a canned pet food dispenser of the invention showing the facade in greater detail, portions of the associated rack again being shown in phantom lines;

(56) **References Cited**

U.S. PATENT DOCUMENTS

D499,590 S *	12/2004	Meredith	D6/515
D533,739 S *	12/2006	Miesieski et al.	D6/515
D563,127 S *	3/2008	Henry et al.	D6/515
D572,955 S *	7/2008	Barcena Zafra	D6/515

FIG. 3 is a front plan view of the facade for a canned pet food dispenser of the invention;

FIG. 4 is a left side view of the facade of FIG. 3;

FIG. 5 is a right side view of the facade of FIG. 3;

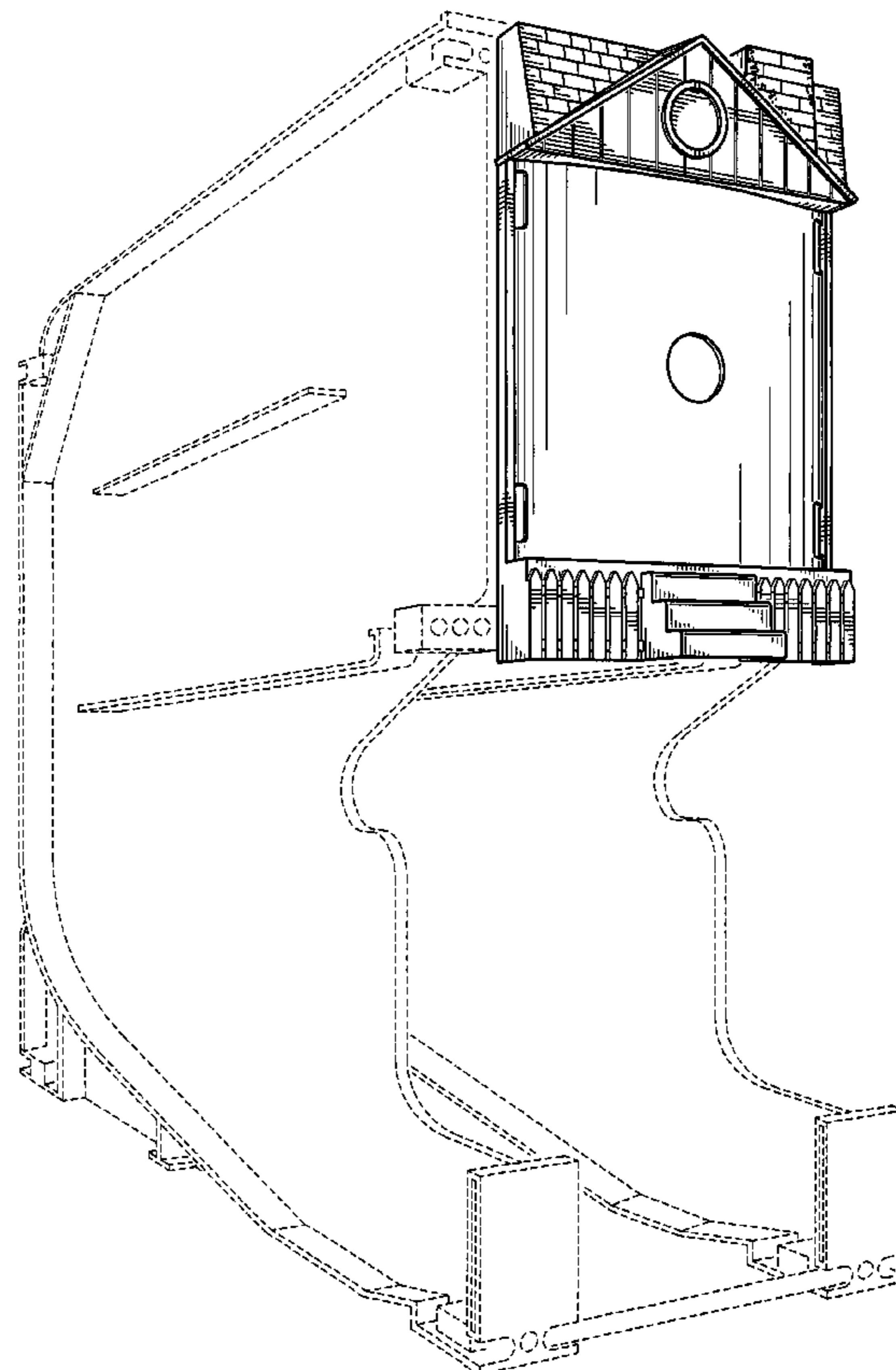
FIG. 6 is a back view of the facade of FIG. 3;

FIG. 7 is a top view of the facade of the invention; and,

FIG. 8 is a bottom view of the facade of the invention.

* cited by examiner

1 Claim, 6 Drawing Sheets



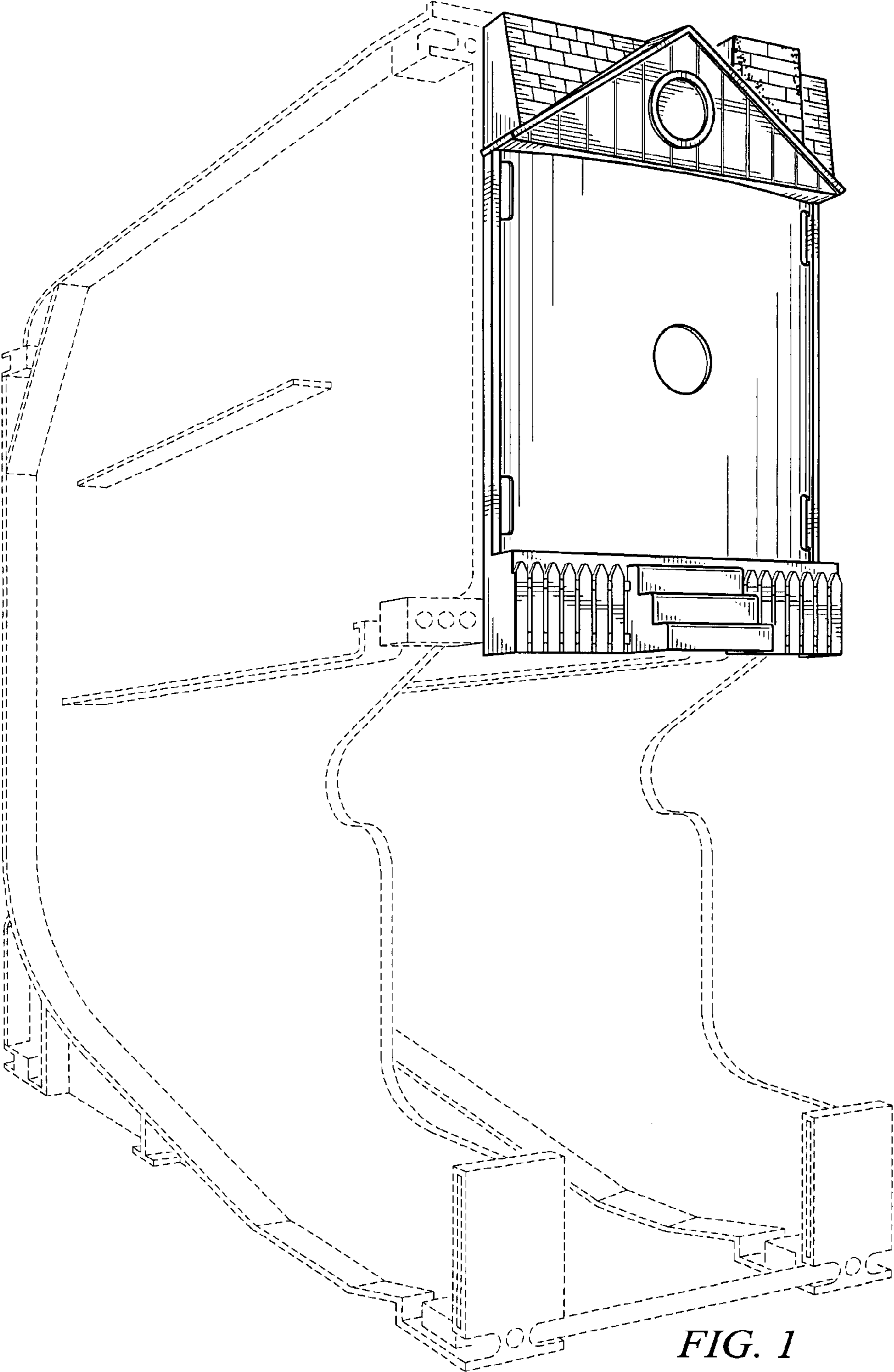


FIG. 1

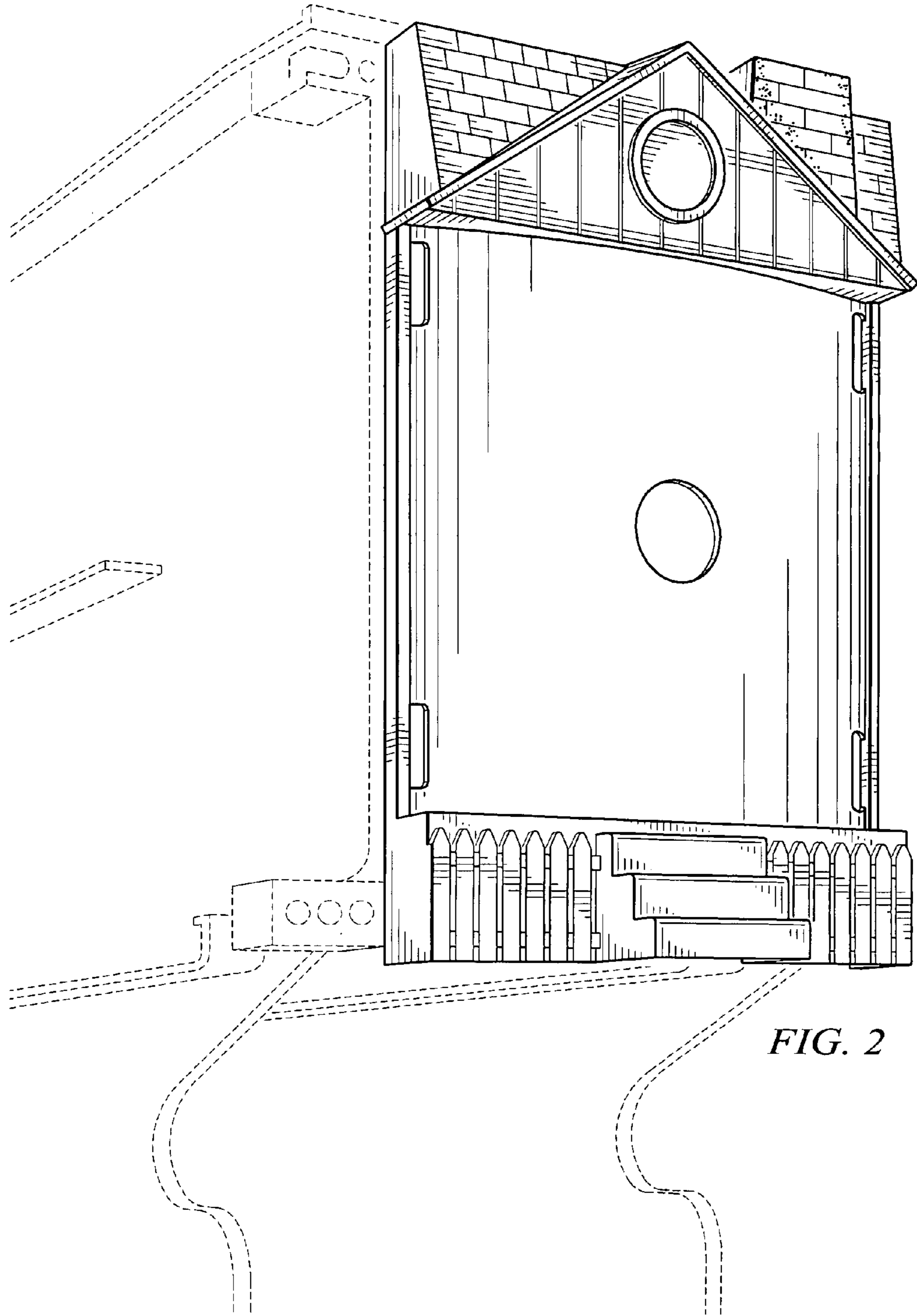


FIG. 2

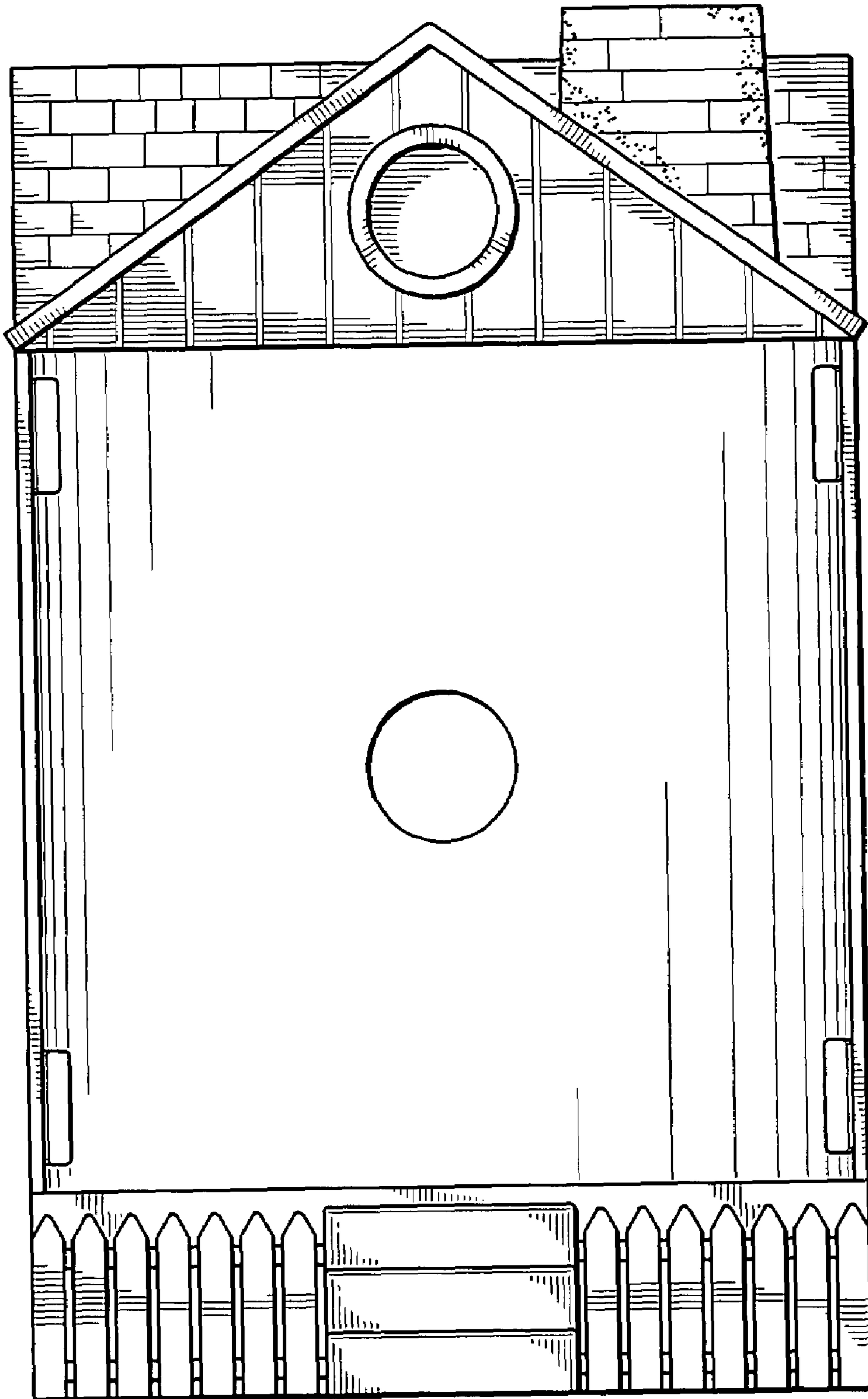


FIG. 3

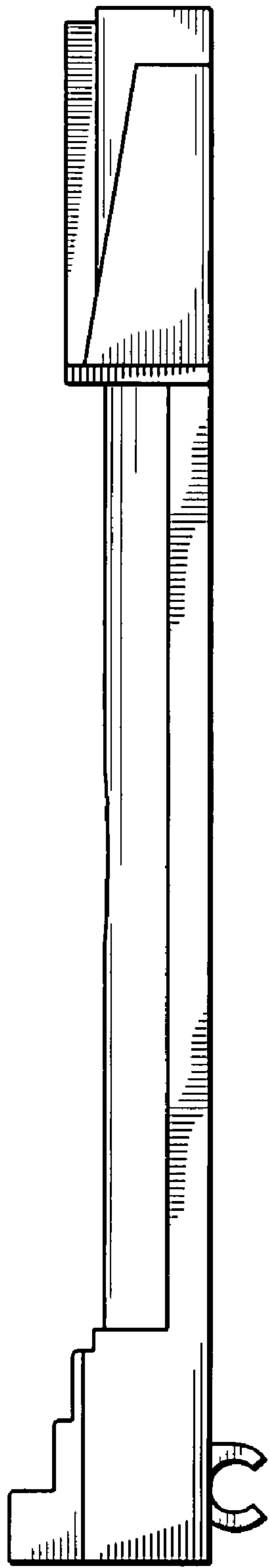


FIG. 4

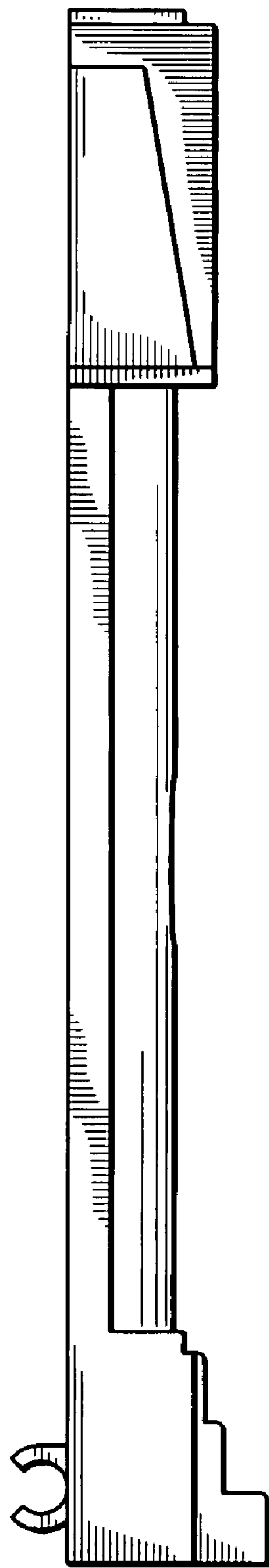


FIG. 5

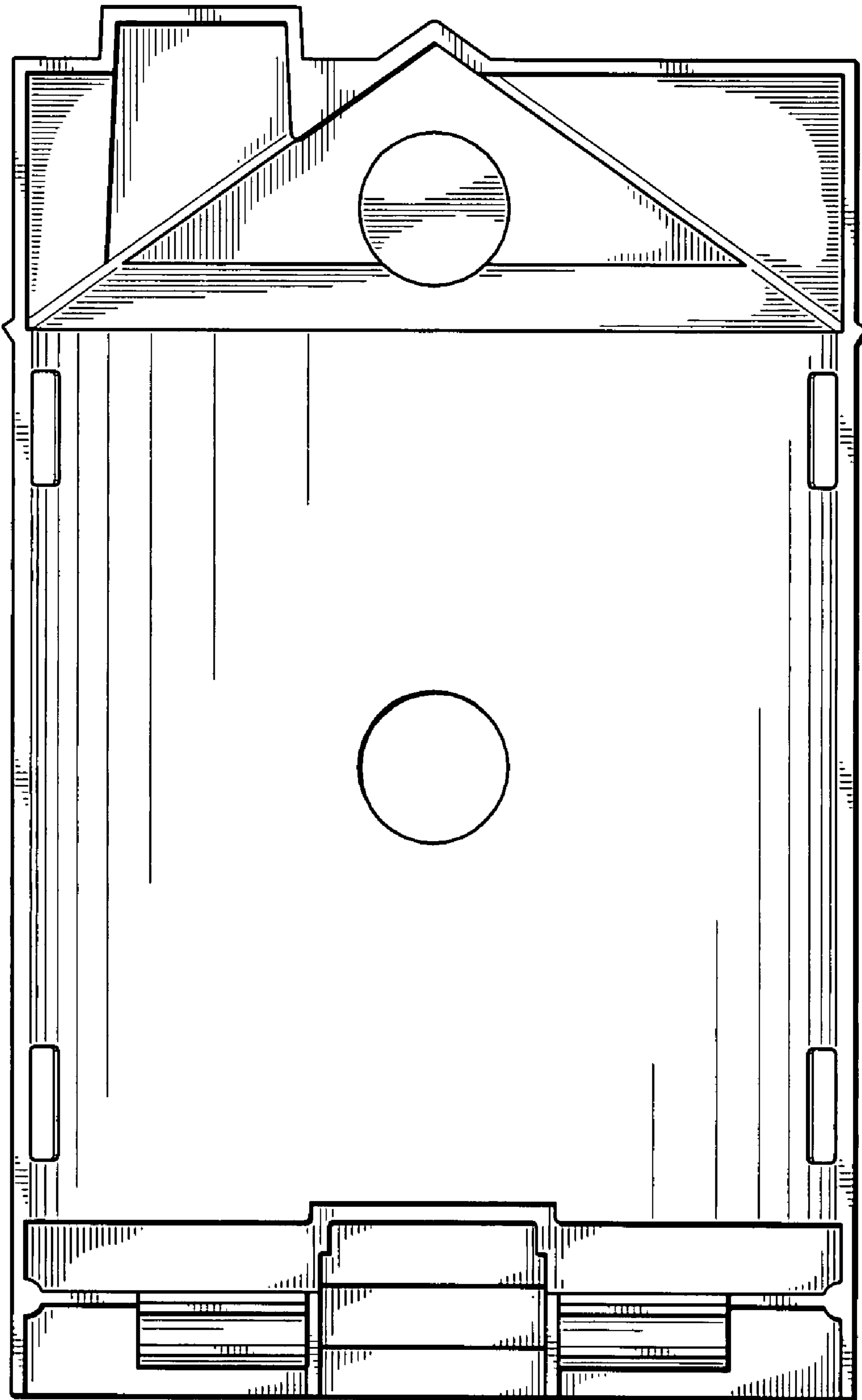


FIG. 6

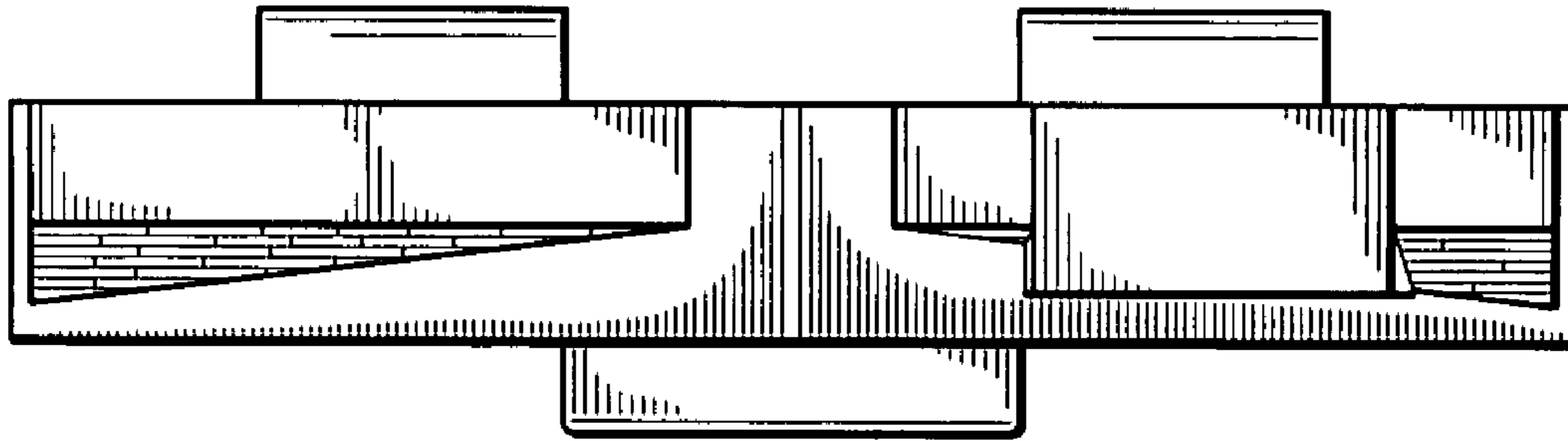


FIG. 7

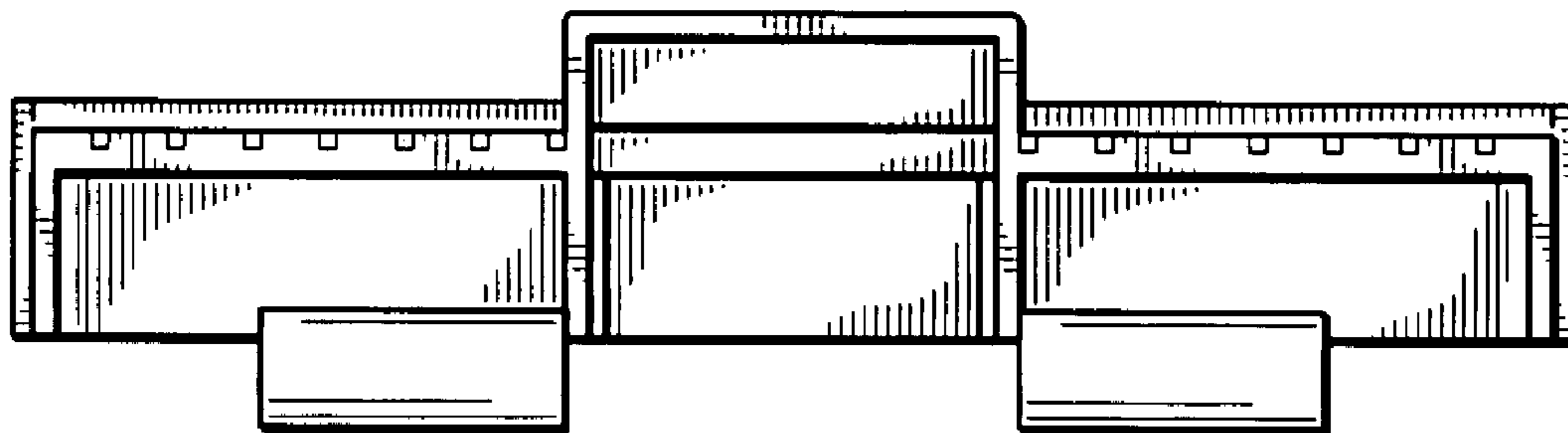


FIG. 8