



US00D584543S

(12) **United States Design Patent**  
**Taherirastgar**

(10) **Patent No.:** **US D584,543 S**  
(45) **Date of Patent:** **\*\* Jan. 13, 2009**

(54) **TABLE PEDESTAL**

(76) **Inventor:** **Foroogh Taherirastgar**, 362 Ilo La.,  
Danville, CA (US) 94526

(\*\*) **Term:** **14 Years**

(21) **Appl. No.:** **29/248,342**

(22) **Filed:** **Aug. 10, 2006**

(51) **LOC (9) Cl.** ..... **06-06**

(52) **U.S. Cl.** ..... **D6/495**

(58) **Field of Classification Search** ..... D6/480-489,  
D6/495-499; 108/150, 153.1, 155, 156,  
108/157.17, 161; 248/188, 188.1, 188.7,  
248/188.8

See application file for complete search history.

(56) **References Cited**

**U.S. PATENT DOCUMENTS**

D171,934 S *	4/1954	Dobbins	.....	D6/469
D236,673 S *	9/1975	Ehrman	.....	D6/484
D302,215 S *	7/1989	Fontanelli	.....	D6/335
D313,909 S *	1/1991	Kubryk	.....	D6/486
D406,470 S *	3/1999	Lin	.....	D6/349
D431,132 S *	9/2000	Lewis	.....	D6/486
D461,070 S *	8/2002	Diaz-Azcuy	.....	D6/495
D489,550 S *	5/2004	Berry et al.	.....	D6/480

\* cited by examiner

*Primary Examiner*—Janice E. Seeger

(74) *Attorney, Agent, or Firm*—GSS Law Group

(57) **CLAIM**

The ornamental design for a table pedestal, as shown and described.

**DESCRIPTION**

FIG. 1 is a perspective view of a table pedestal, showing my new design;

FIG. 2 is a top plan view thereof;

FIG. 3 is a bottom plan view thereof;

FIG. 4 is a side elevational view, the three other sides being identical thereto;

FIG. 5 is a perspective view of a table pedestal, showing a second embodiment of my new design;

FIG. 6 is a top plan view thereof;

FIG. 7 is a bottom plan view thereof;

FIG. 8 is a front elevational view, the rear being identical thereto;

FIG. 9 is a left side view; the right side being identical thereto;

FIG. 10 is a perspective view of a table pedestal, showing a third embodiment of my new design;

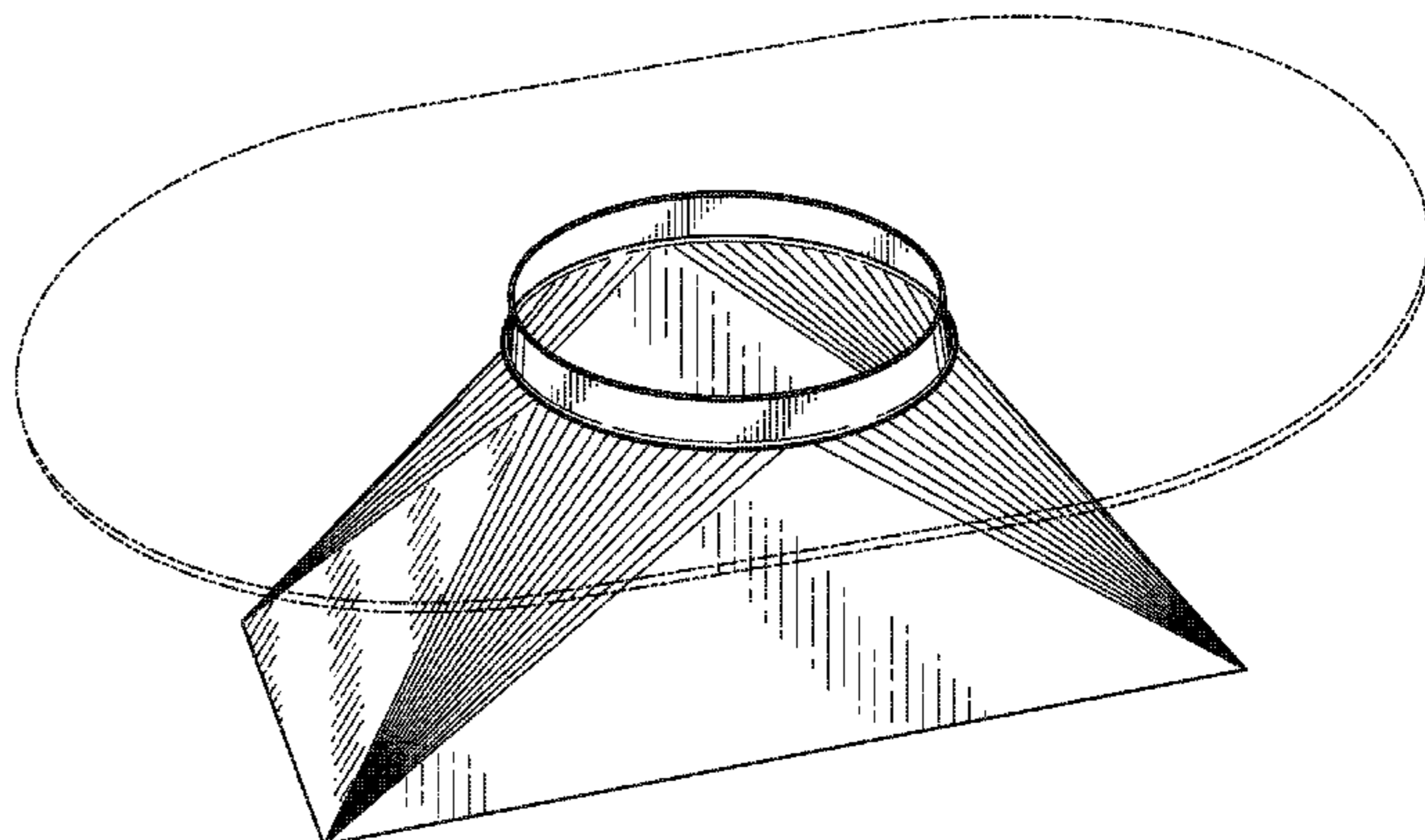
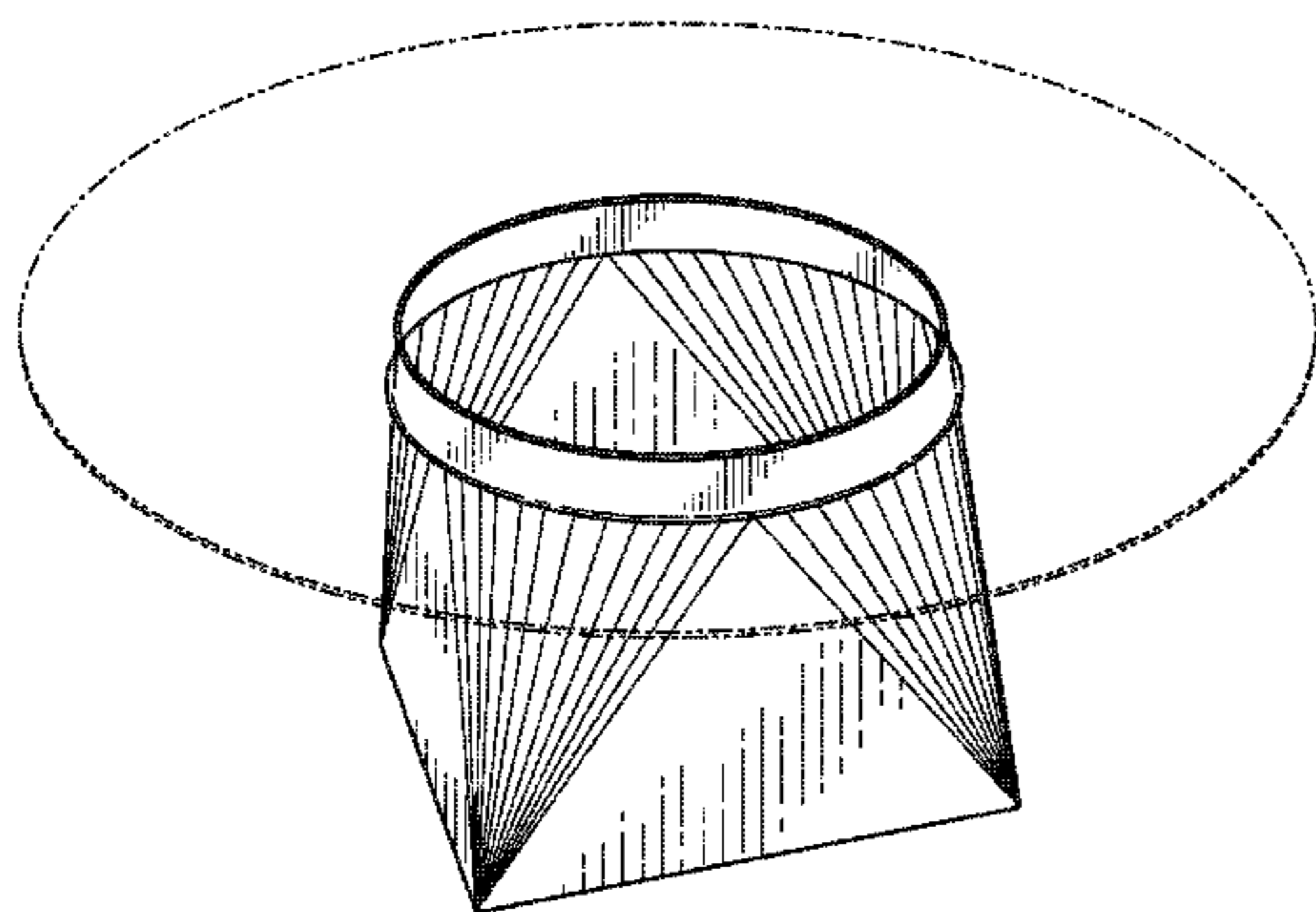
FIG. 11 is a top plan view thereof;

FIG. 12 is a bottom plan view thereof;

FIG. 13 is a front elevational view, the rear being identical thereto; and,

FIG. 14 is a left side view; the right side being identical thereto.

**1 Claim, 9 Drawing Sheets**



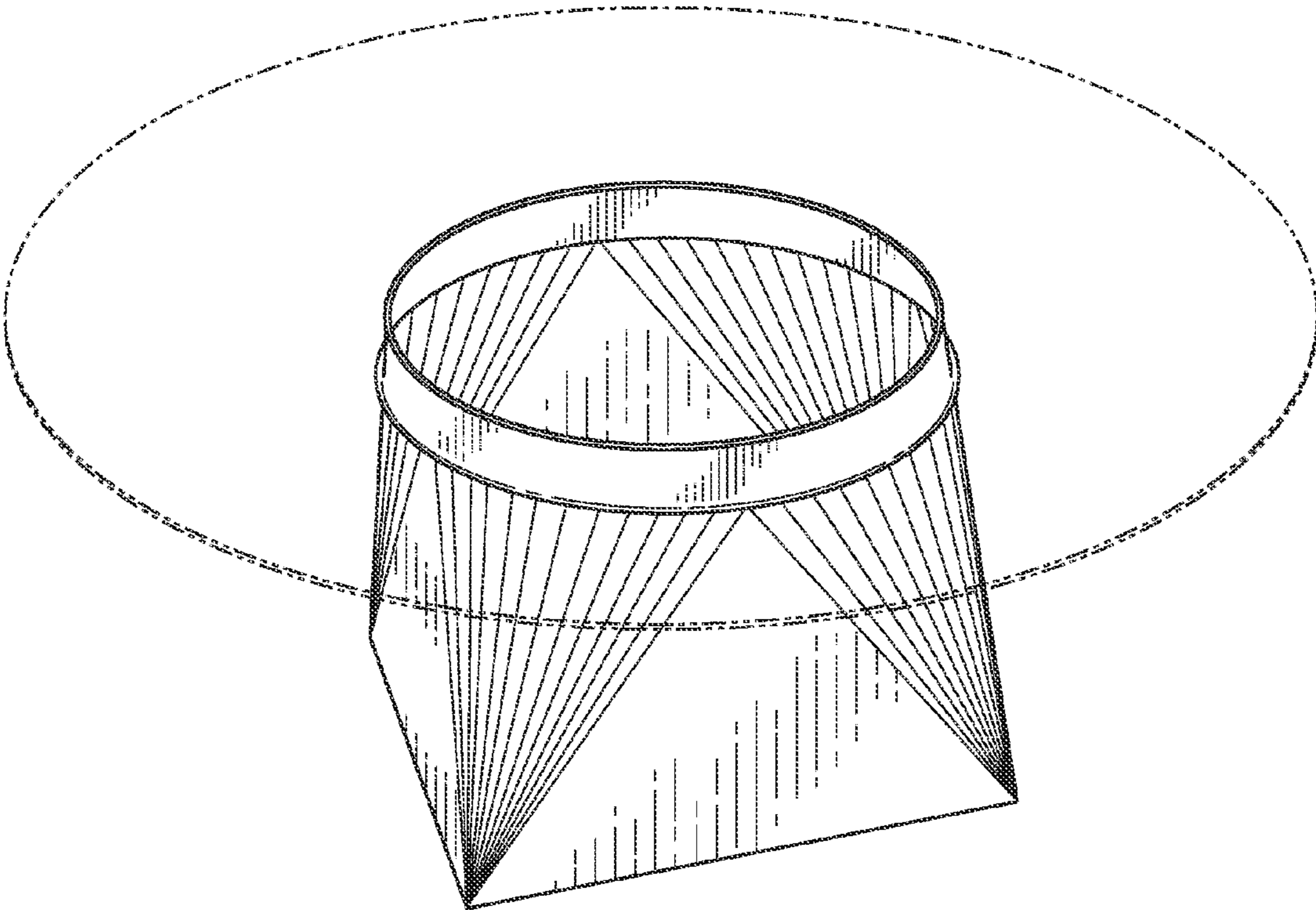


FIG. 1

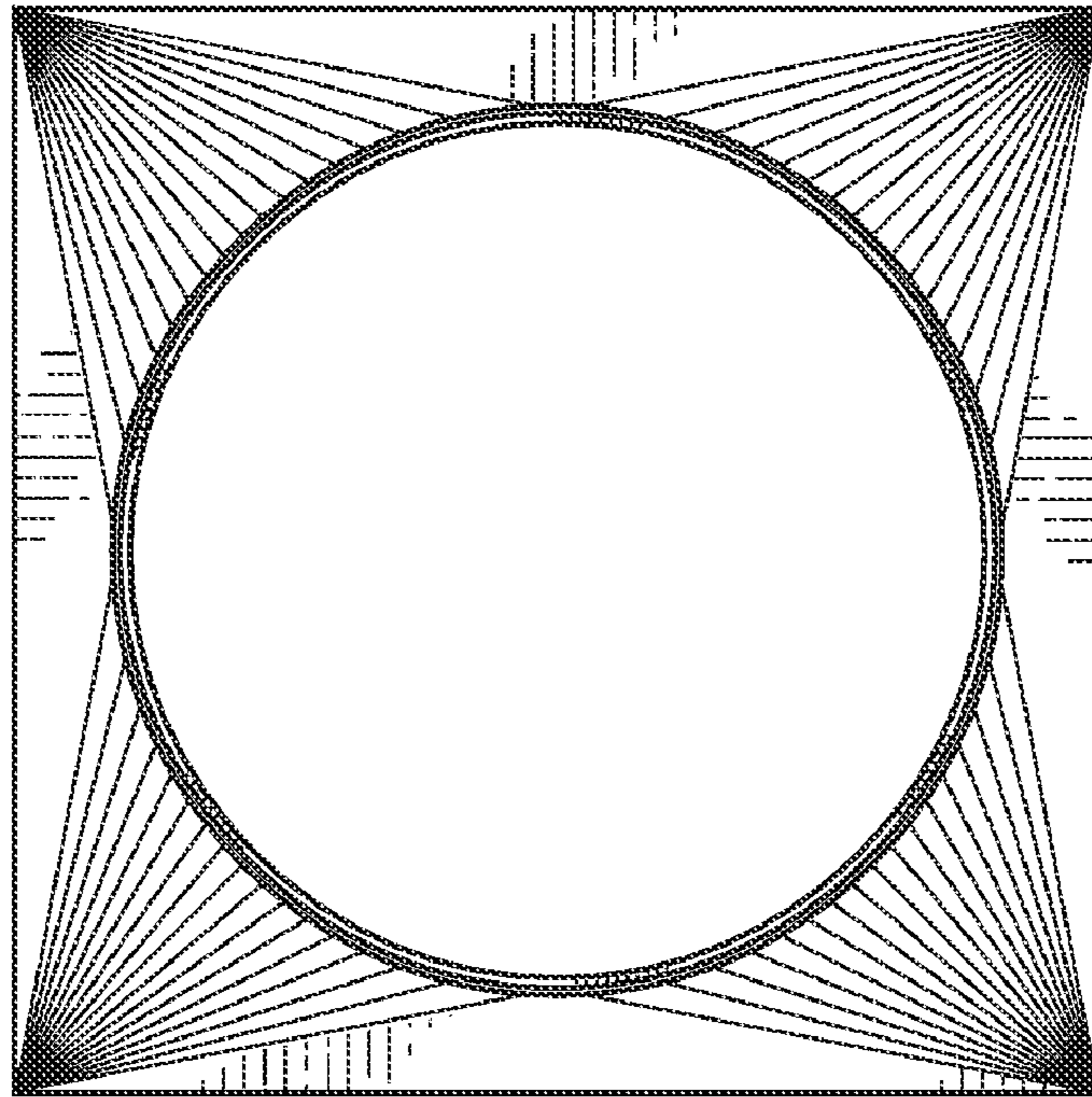


FIG. 2

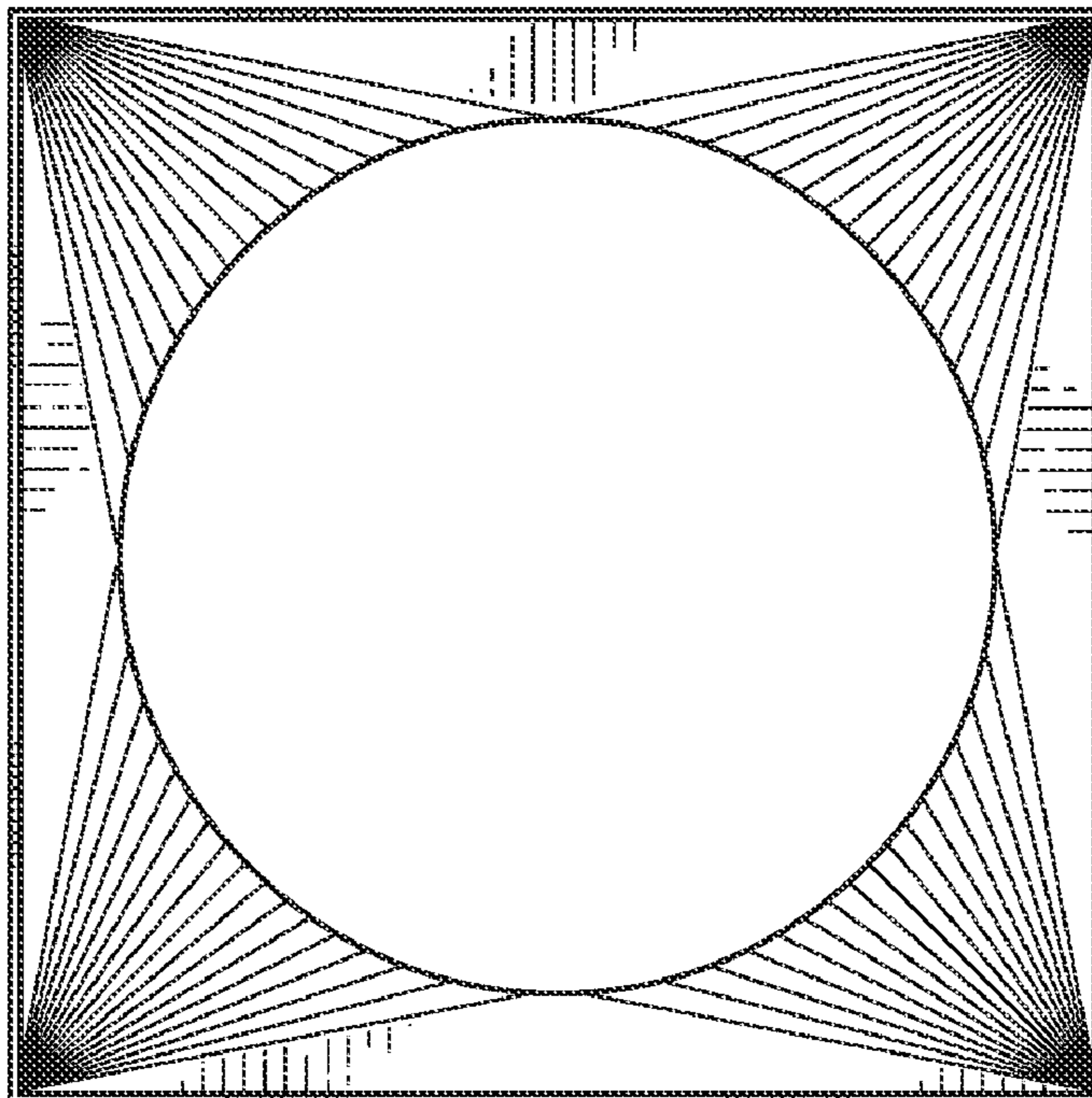


FIG. 3

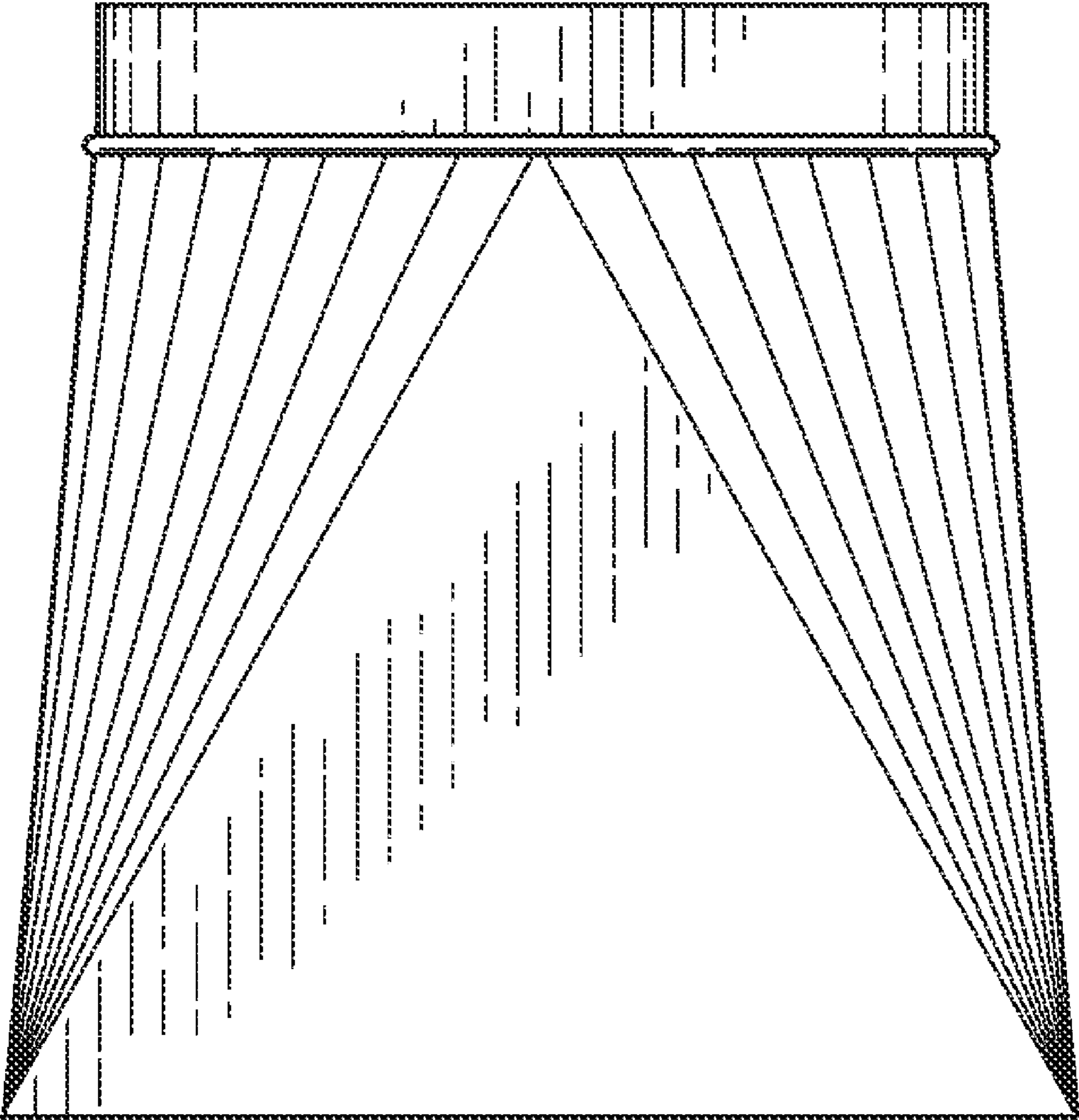


FIG. 4

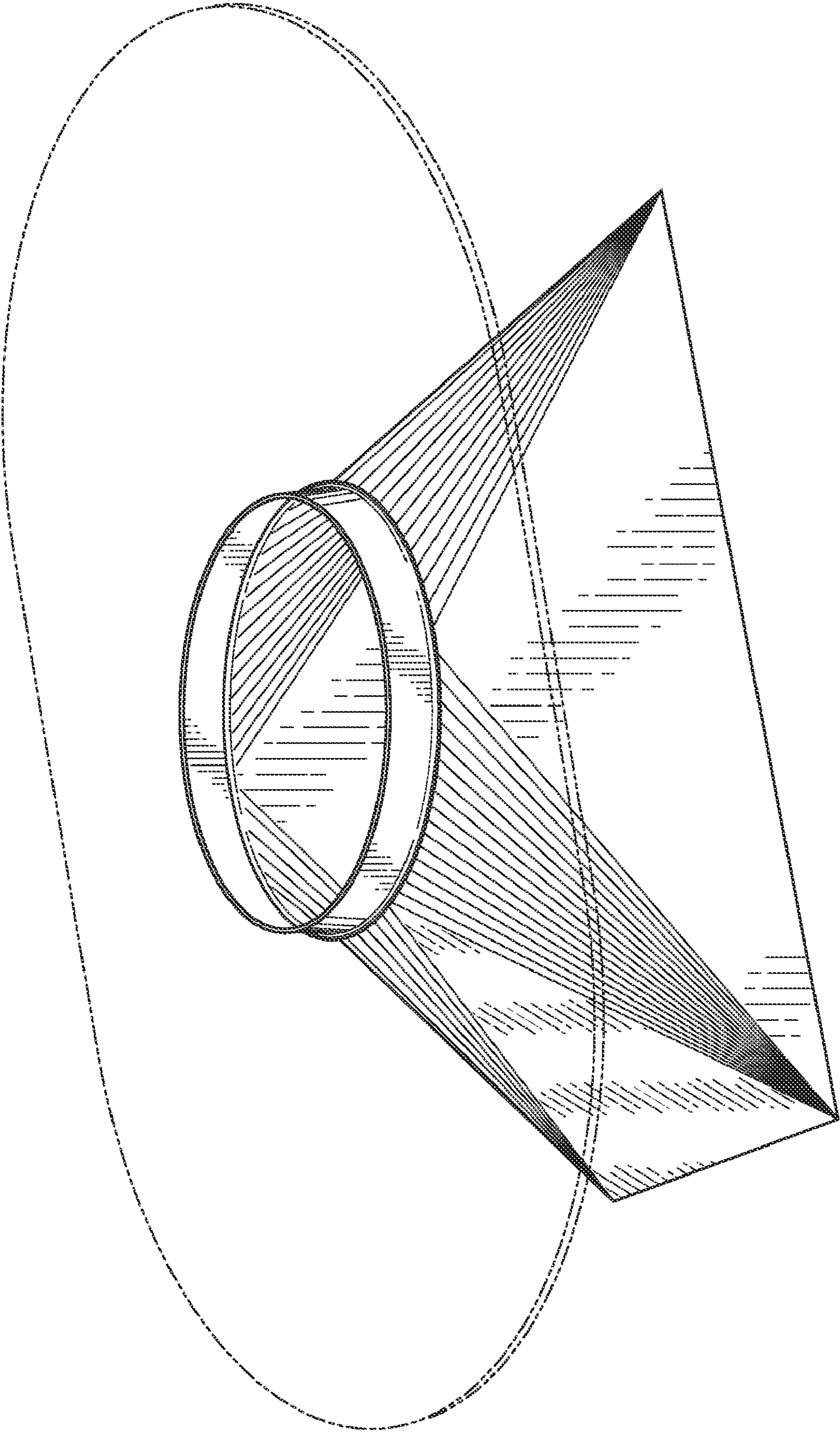


FIG. 5

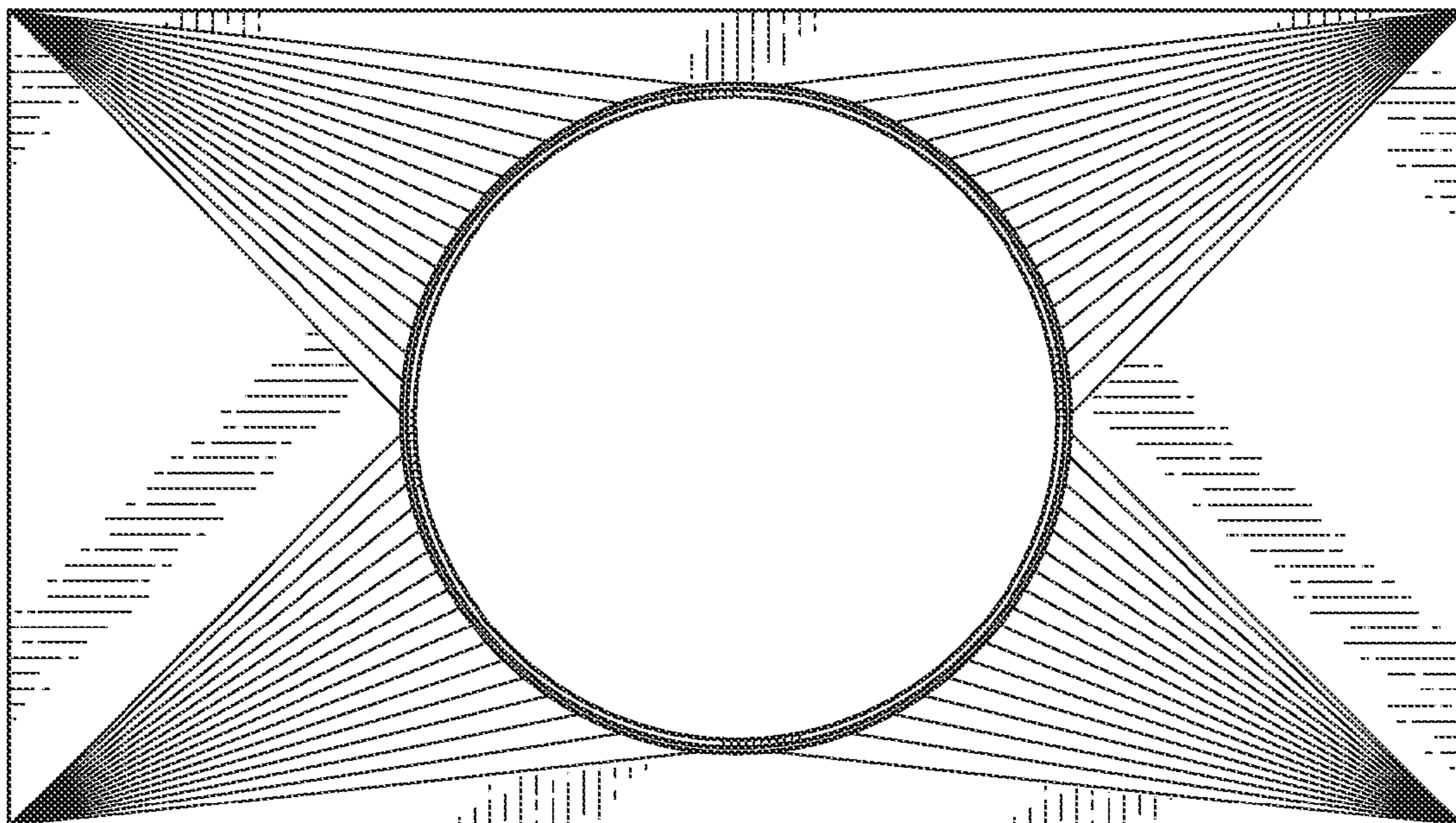


FIG. 6

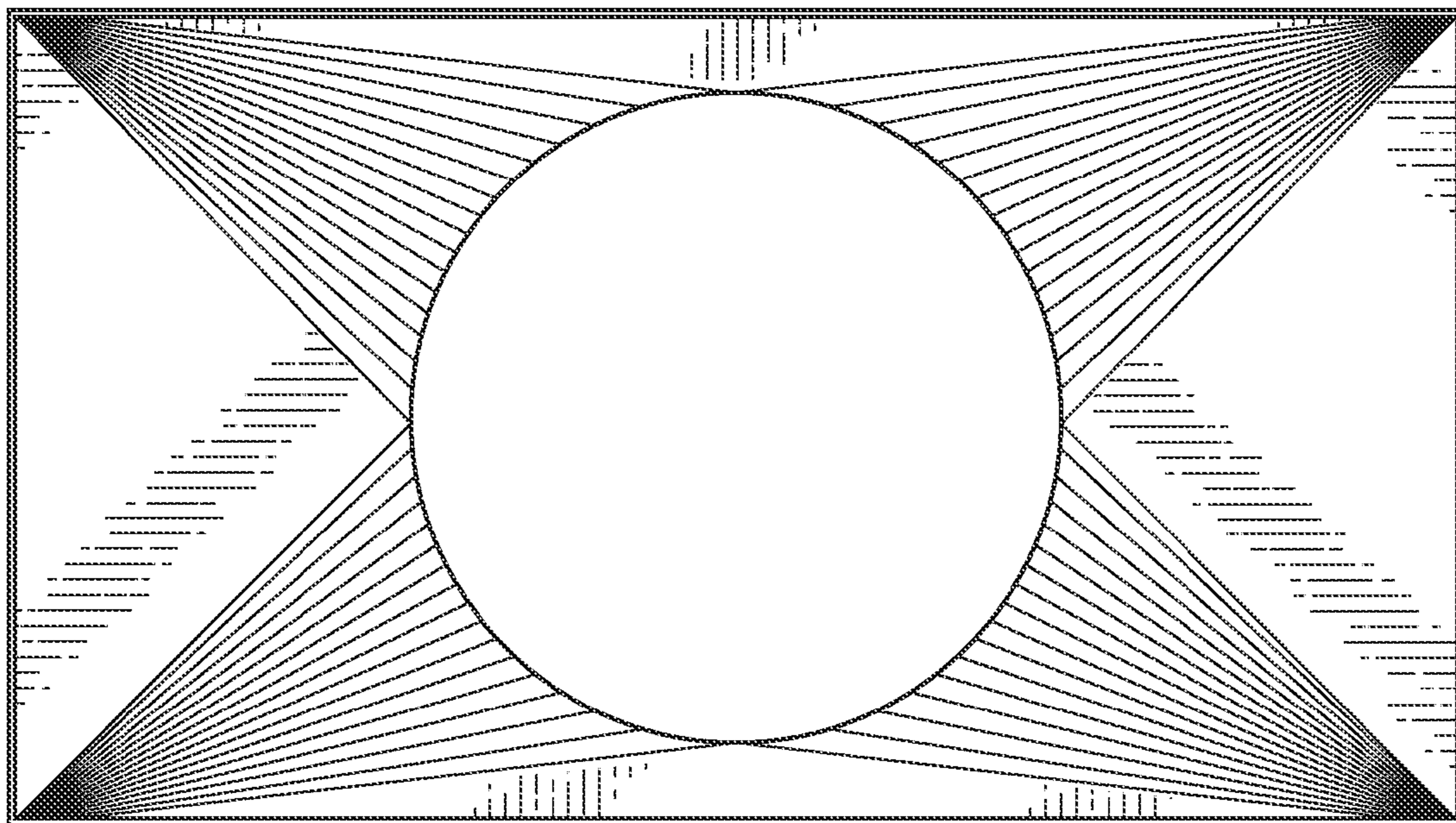


FIG. 7

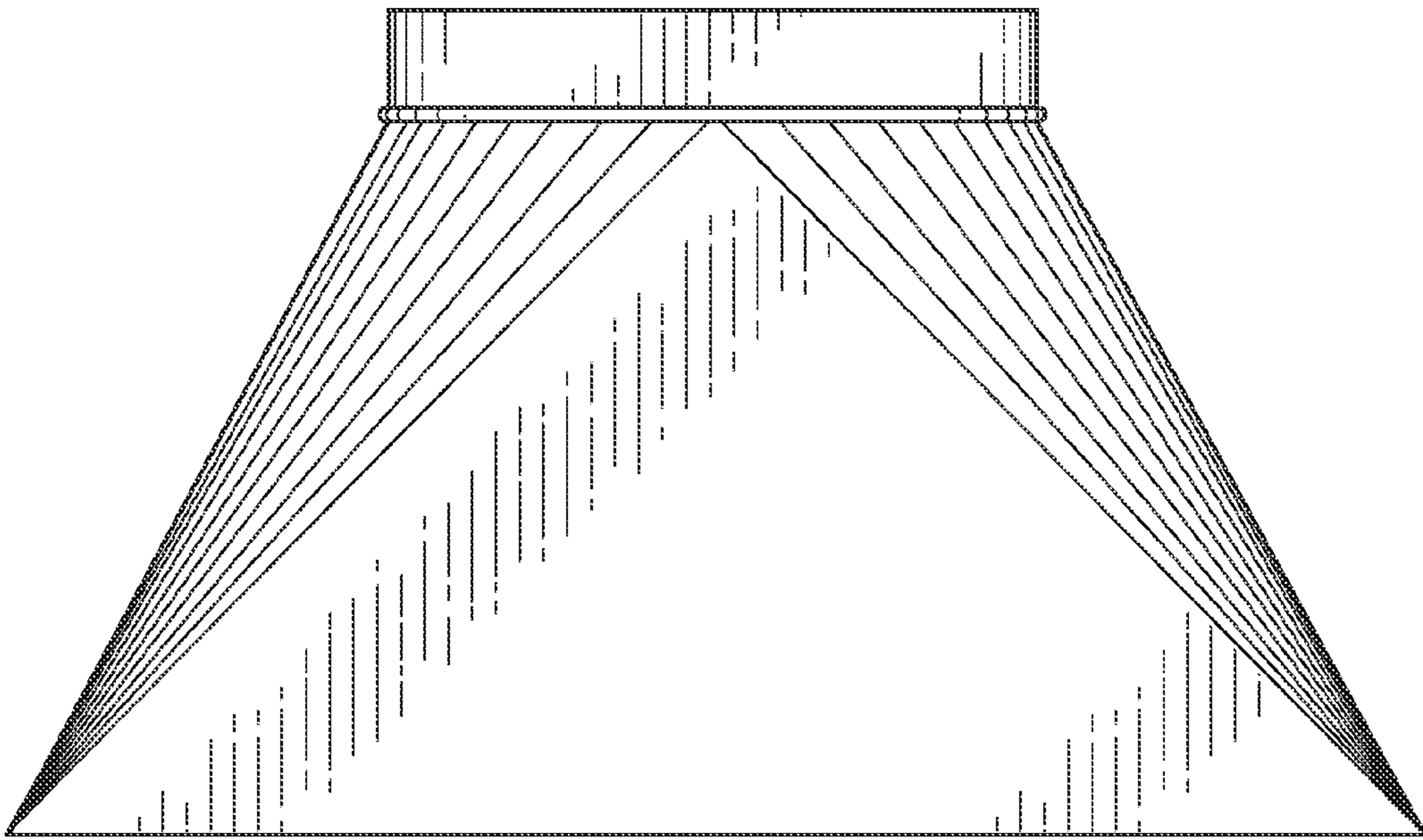


FIG. 8

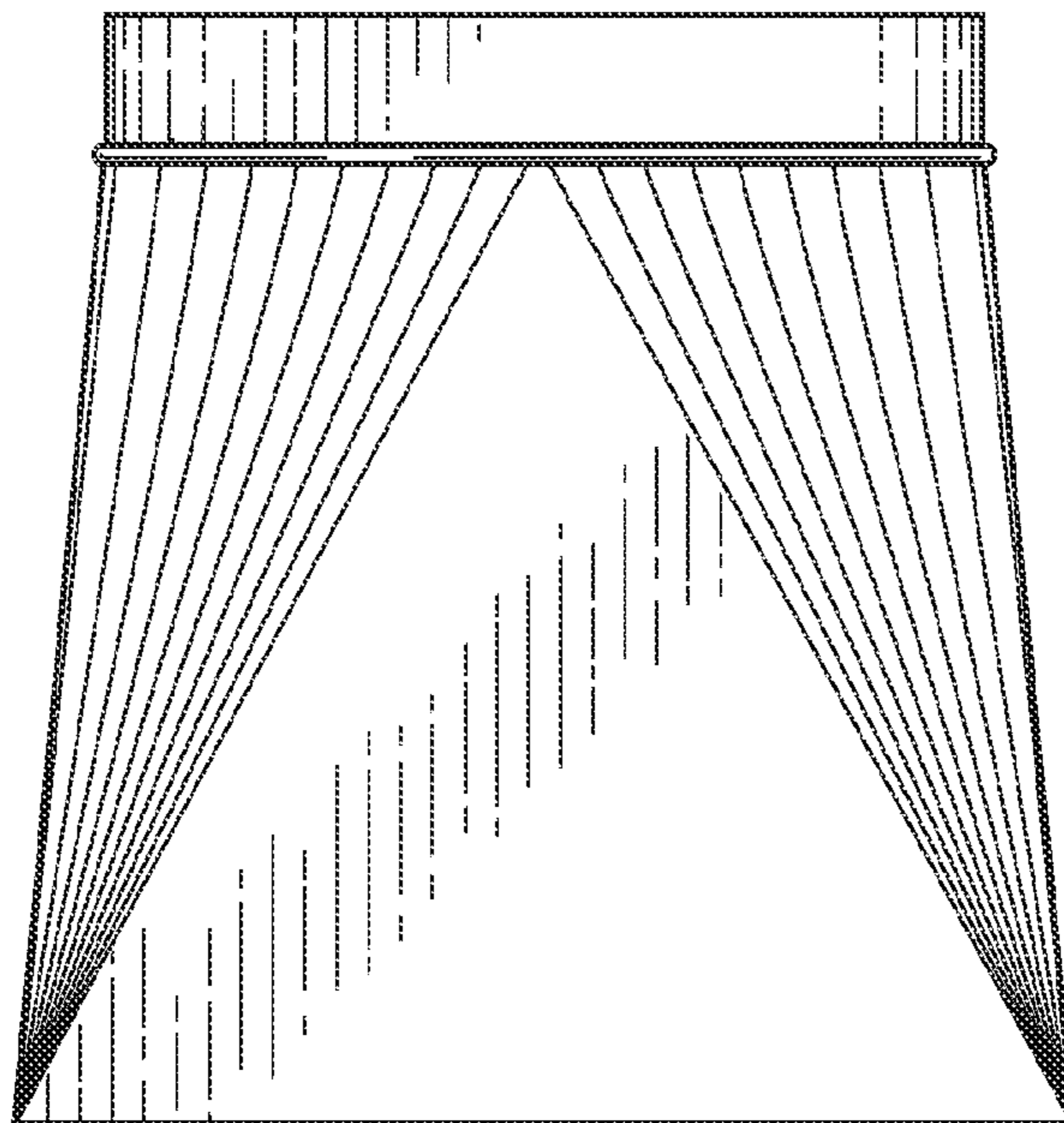


FIG. 9

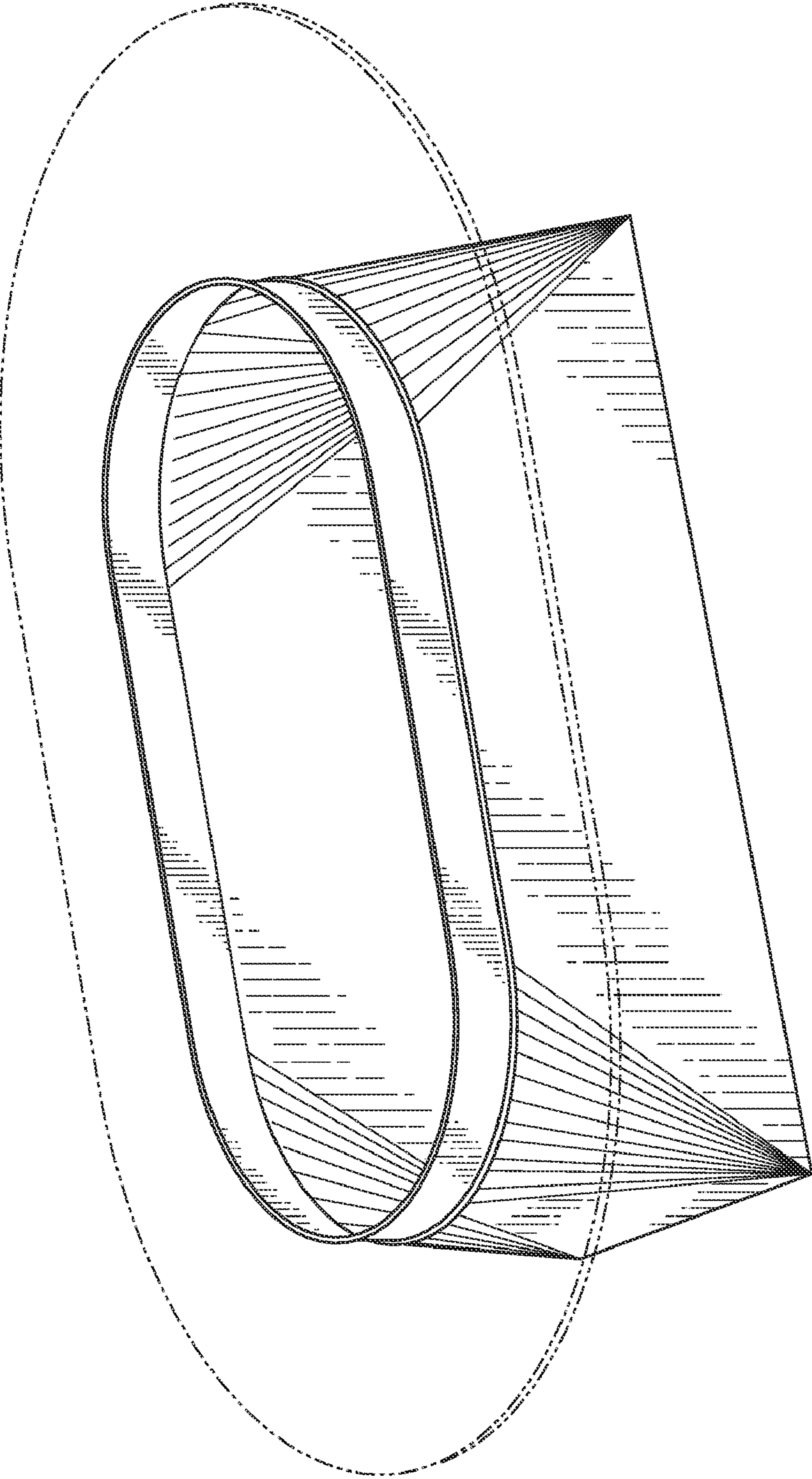


FIG. 10



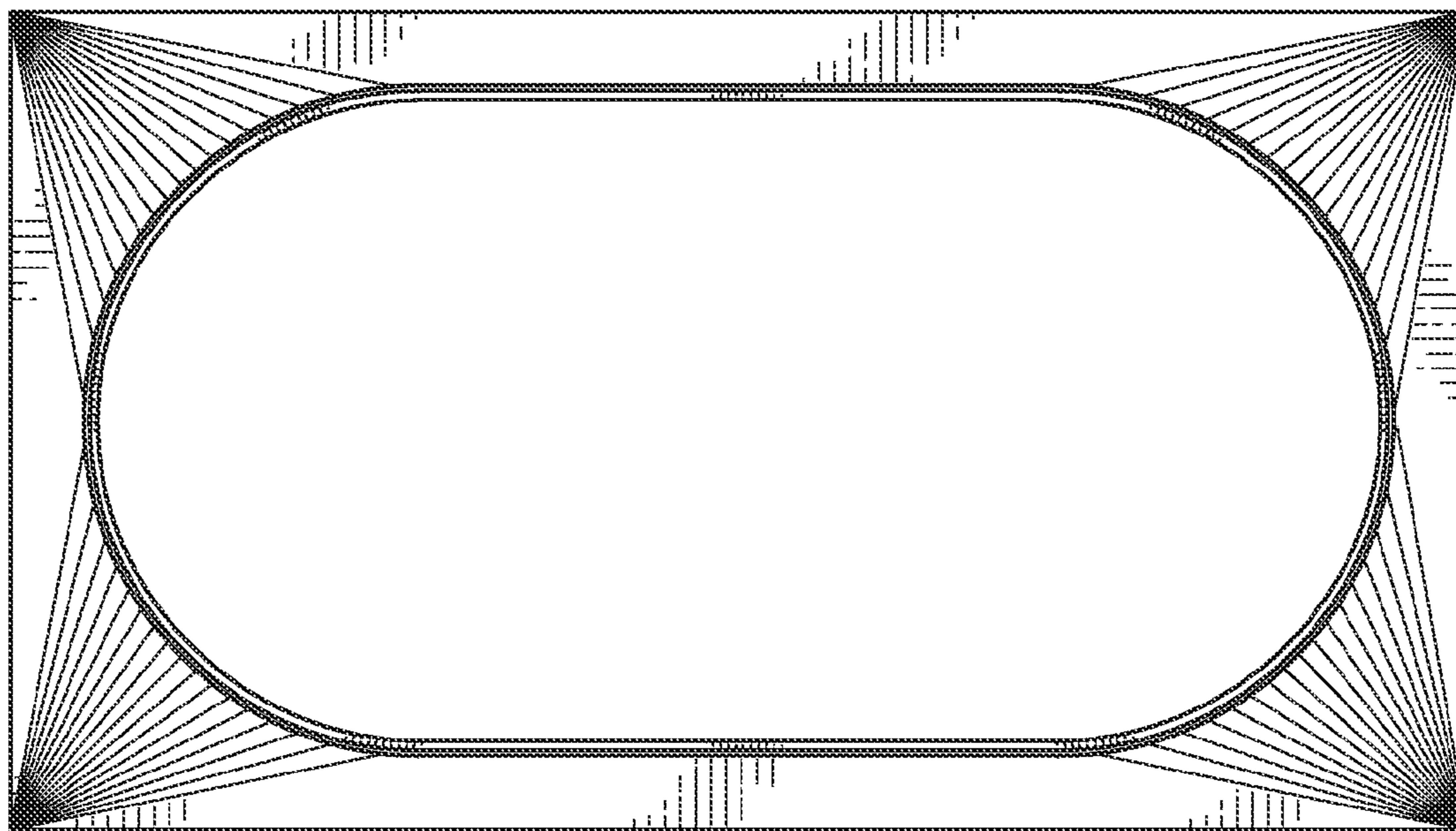


FIG. 11

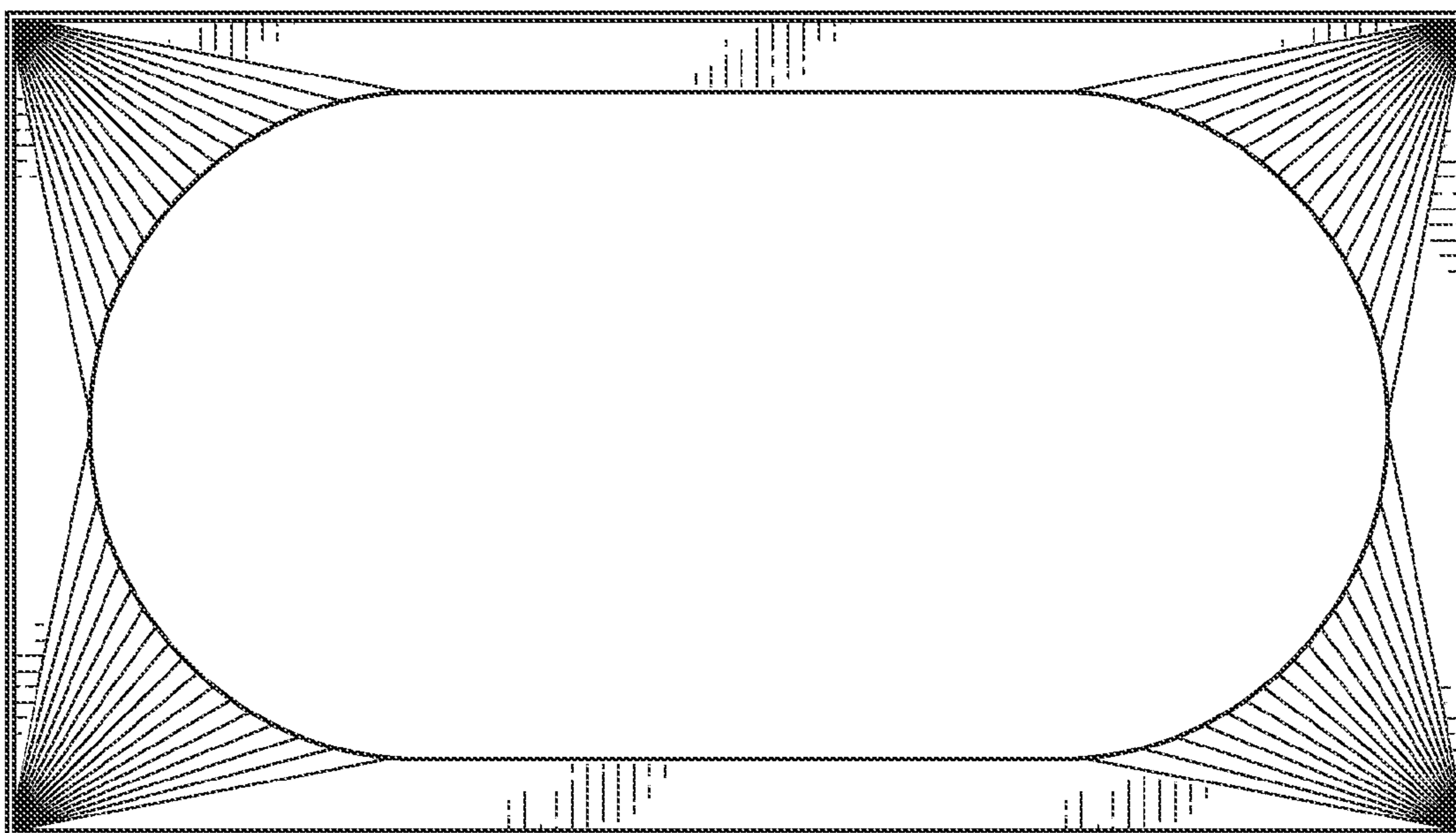


FIG. 12

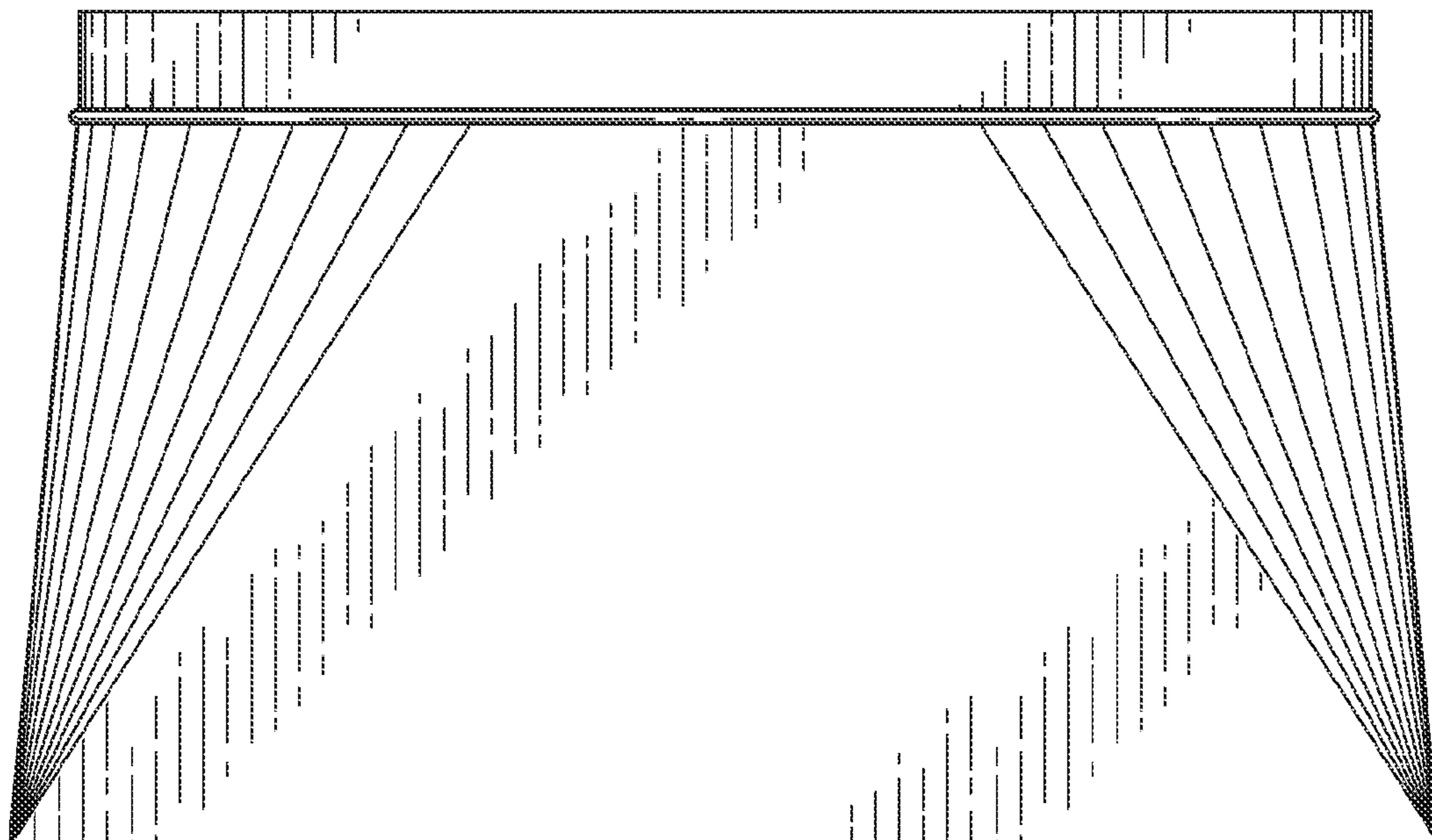


FIG. 13

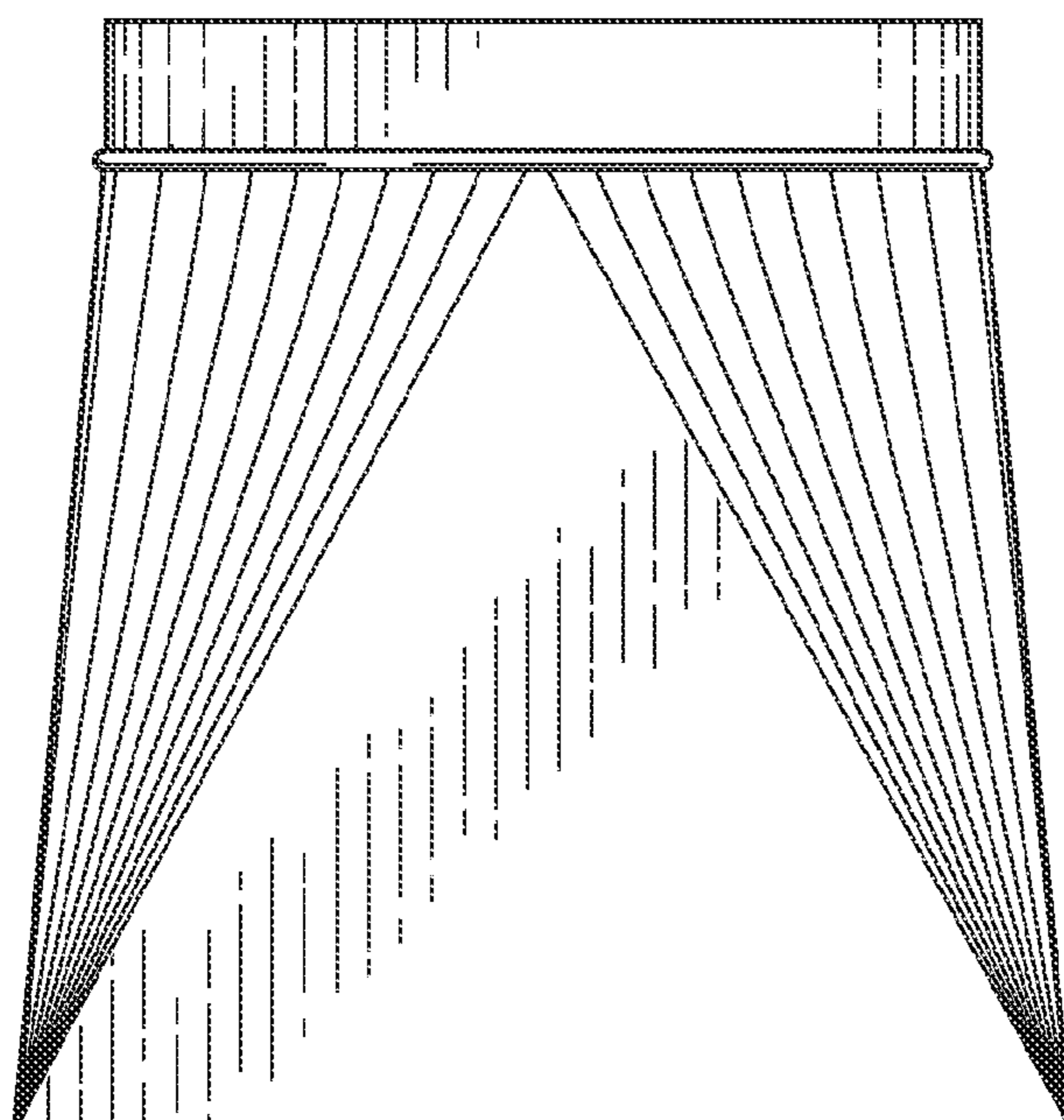


FIG. 14