



US00D584541S

(12) **United States Design Patent**
Mohundro

(10) **Patent No.:** **US D584,541 S**
(45) **Date of Patent:** **** Jan. 13, 2009**

(54) **END TABLE**

(75) Inventor: **James Glenn Mohundro**, Taichung (TW)

(73) Assignee: **Pacific Marketing International (H.K.), Ltd.**, Taichung (TW)

(**) Term: **14 Years**

(21) Appl. No.: **29/302,576**

(22) Filed: **Jan. 18, 2008**

(51) **LOC (9) Cl.** **06-03**

(52) **U.S. Cl.** **D6/480; D6/436**

(58) **Field of Classification Search** D6/480-489, D6/495-499, 429-431, 511, 419, 420, 440, D6/436, 422-426, 477, 479, 492; 108/150, 108/153.1, 156, 157.1, 161, 93-97, 106, 108/40, 145, 144.11, 147.18; 248/188, 188.1, 248/188.8; 312/205, 241

See application file for complete search history.

(56) **References Cited**

U.S. PATENT DOCUMENTS

| | | | | |
|--------------|---------|--------|-------|--------|
| D164,622 S * | 9/1951 | Broad | | D6/436 |
| D276,580 S * | 12/1984 | Mandl | | D6/397 |
| D350,452 S * | 9/1994 | Ward | | D6/480 |
| D509,375 S * | 9/2005 | O'Hare | | D6/425 |
| D540,070 S * | 4/2007 | Bibi | | D6/480 |

OTHER PUBLICATIONS

Progressive, Yesteryear II, end table at far right, c1991.*

* cited by examiner

Primary Examiner—Janice E Seeger

(74) *Attorney, Agent, or Firm*—Egbert Law Offices PLLC

(57) **CLAIM**

The ornamental design for a end table, as shown and described.

DESCRIPTION

FIG. 1 is an upper perspective view of the end table showing my design.

FIG. 2 is a front view thereof;

FIG. 3 is a back view thereof;

FIG. 4 is a side view thereof;

FIG. 5 is an opposite side view thereof;

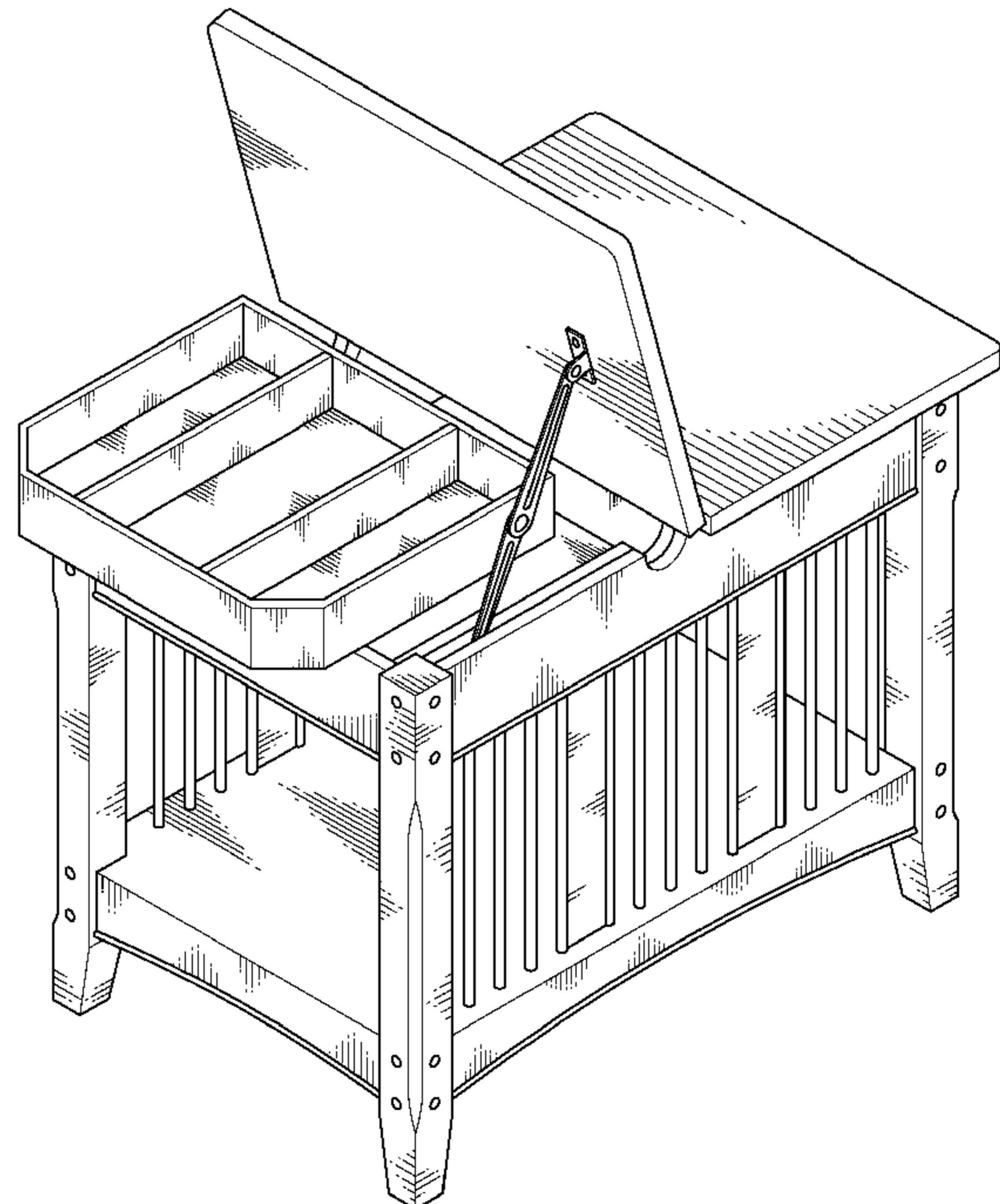
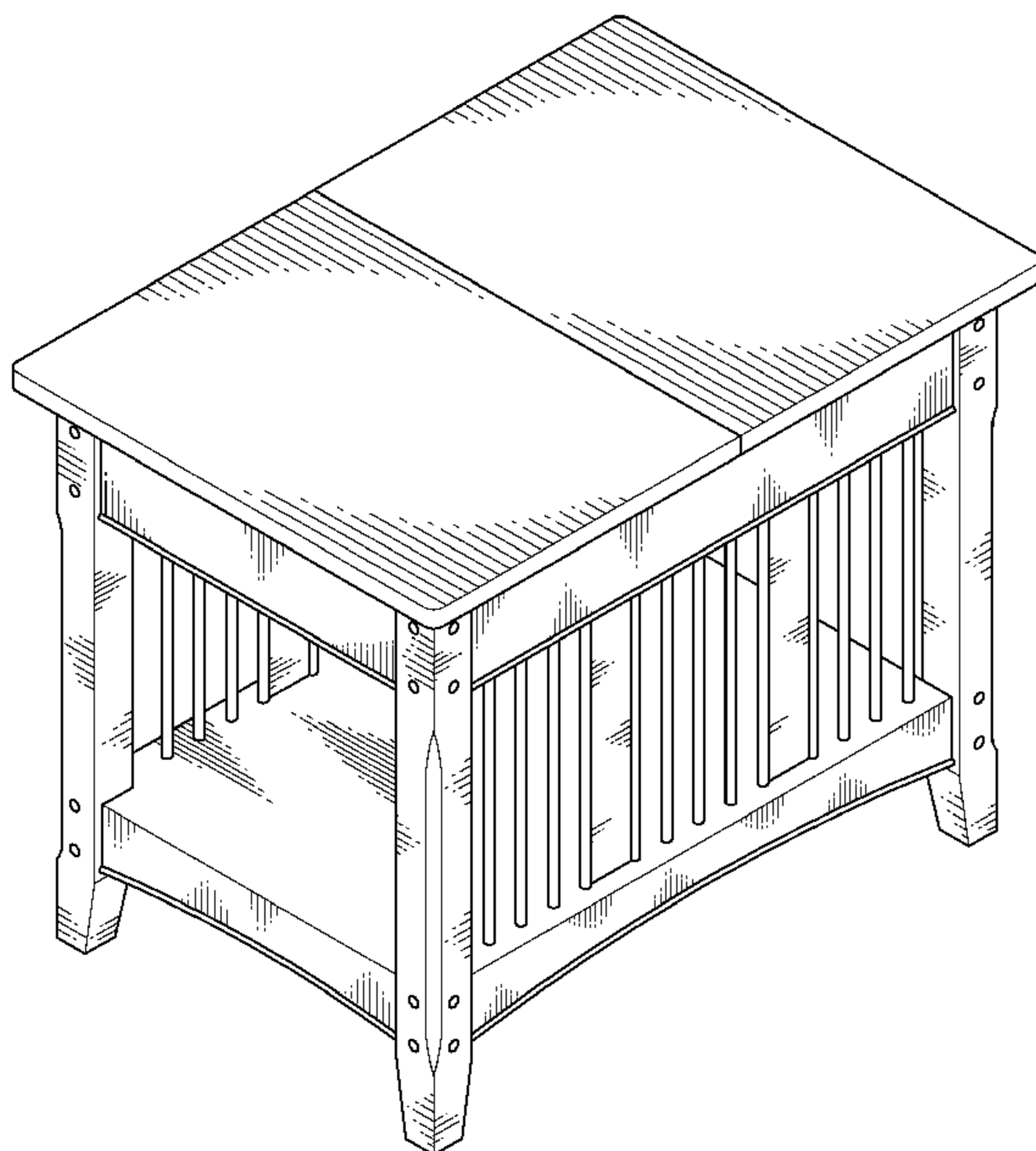
FIG. 6 is top view thereof;

FIG. 7 is another perspective view, showing an open position; and,

FIG. 8 is still another perspective view, showing an alternate perspective view of the tray element.

The end table is furniture. The bottom of the table forms no part of the claimed design.

1 Claim, 6 Drawing Sheets



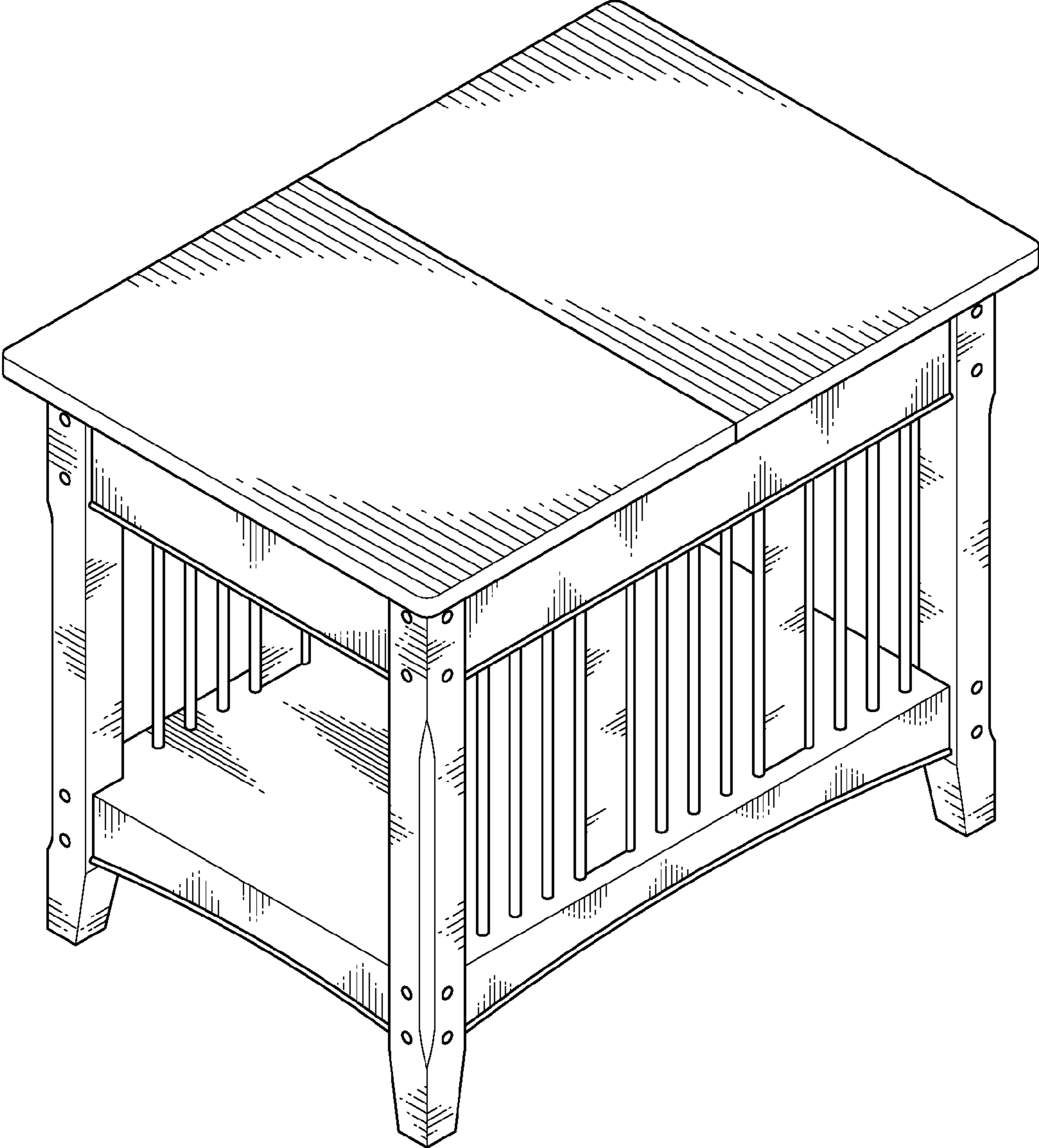


FIG.1

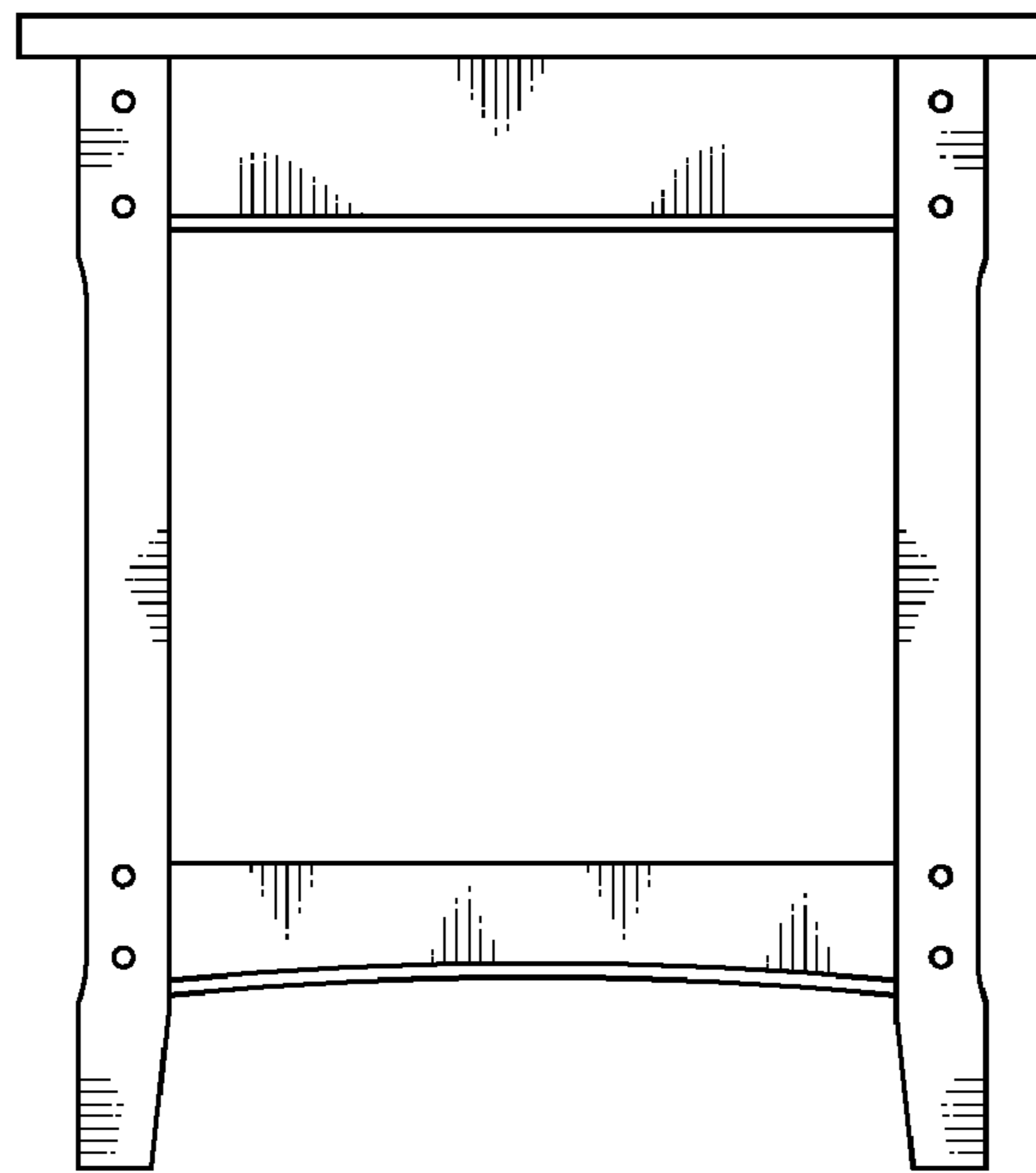


FIG. 2

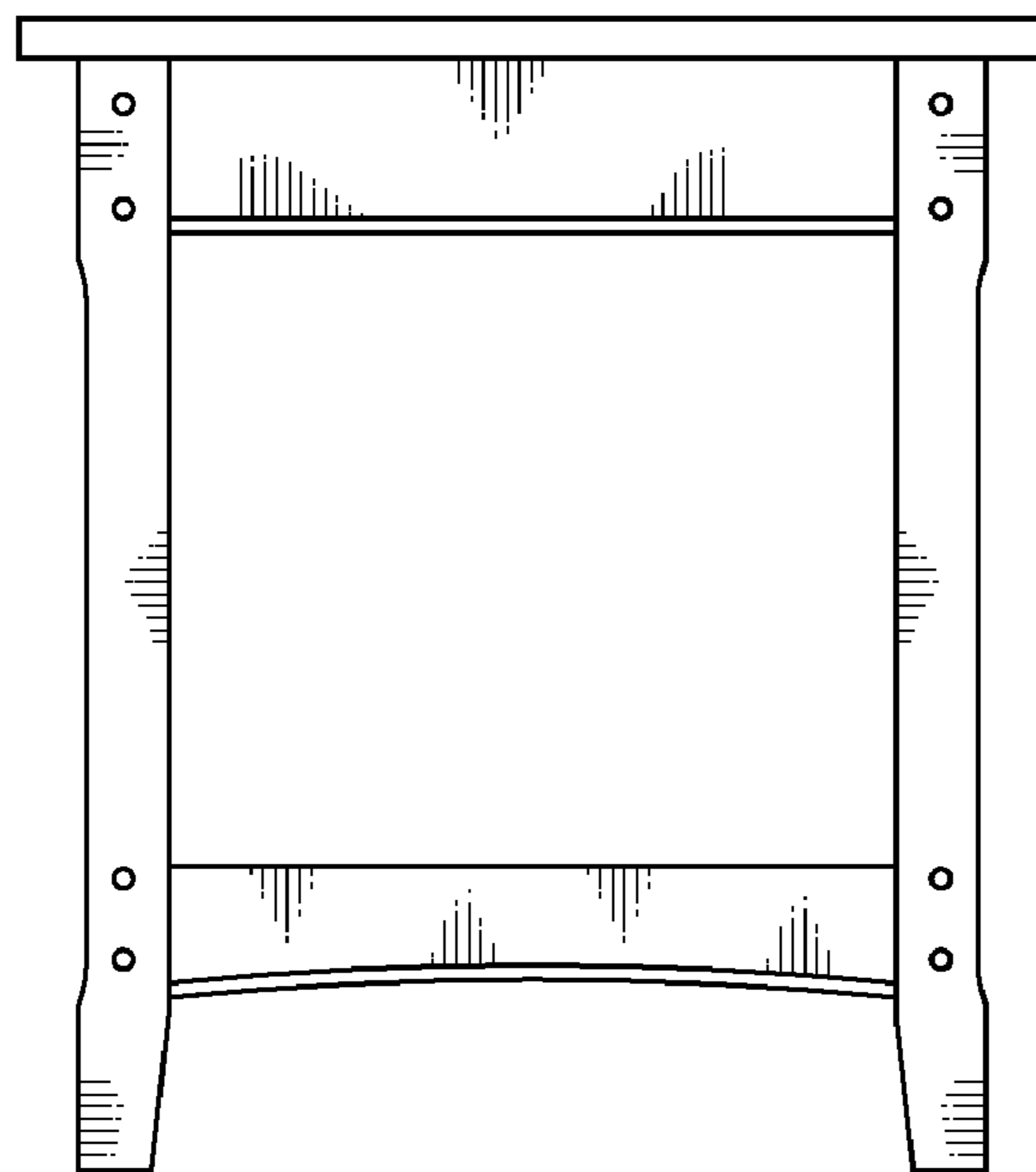


FIG. 3

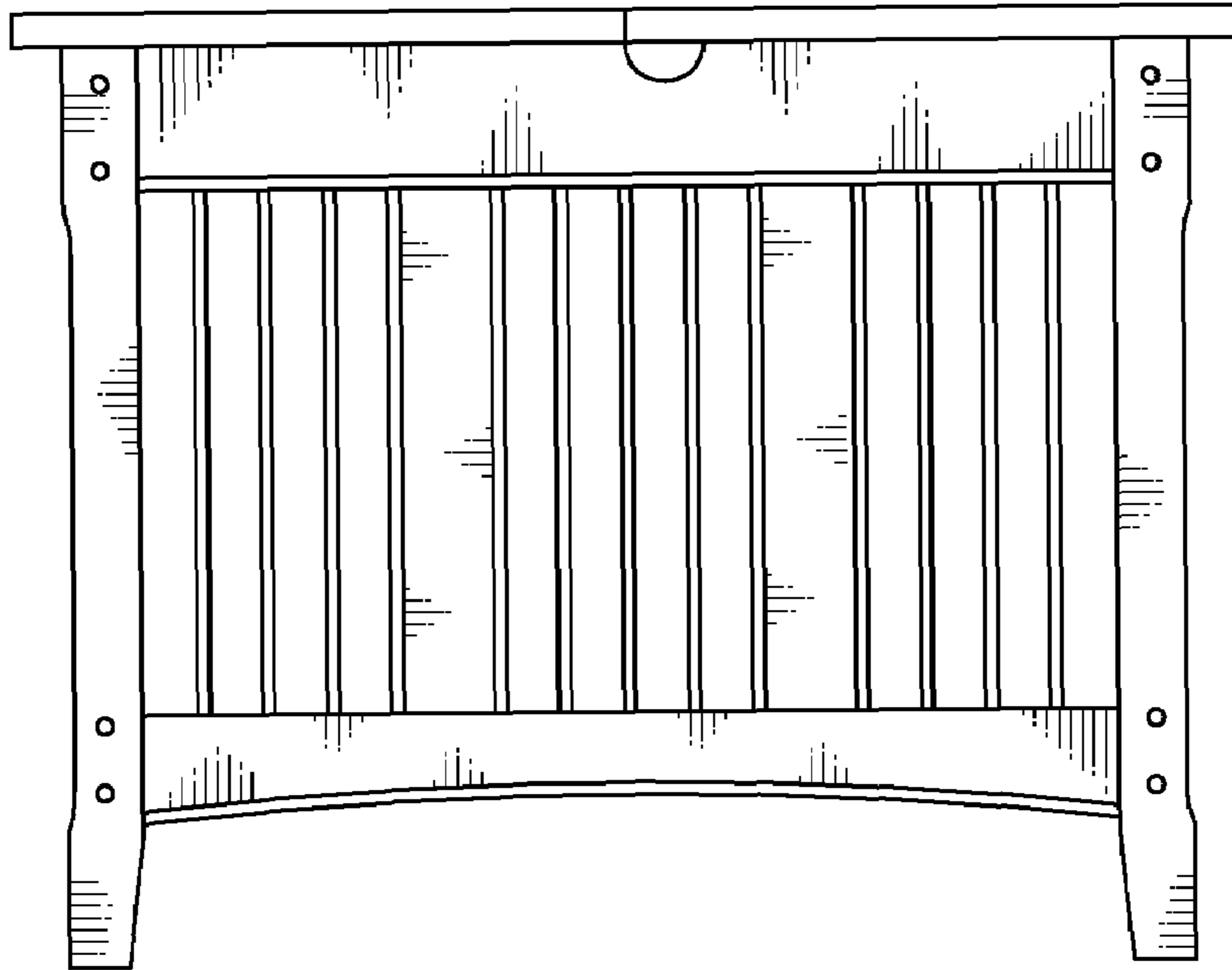


FIG. 4

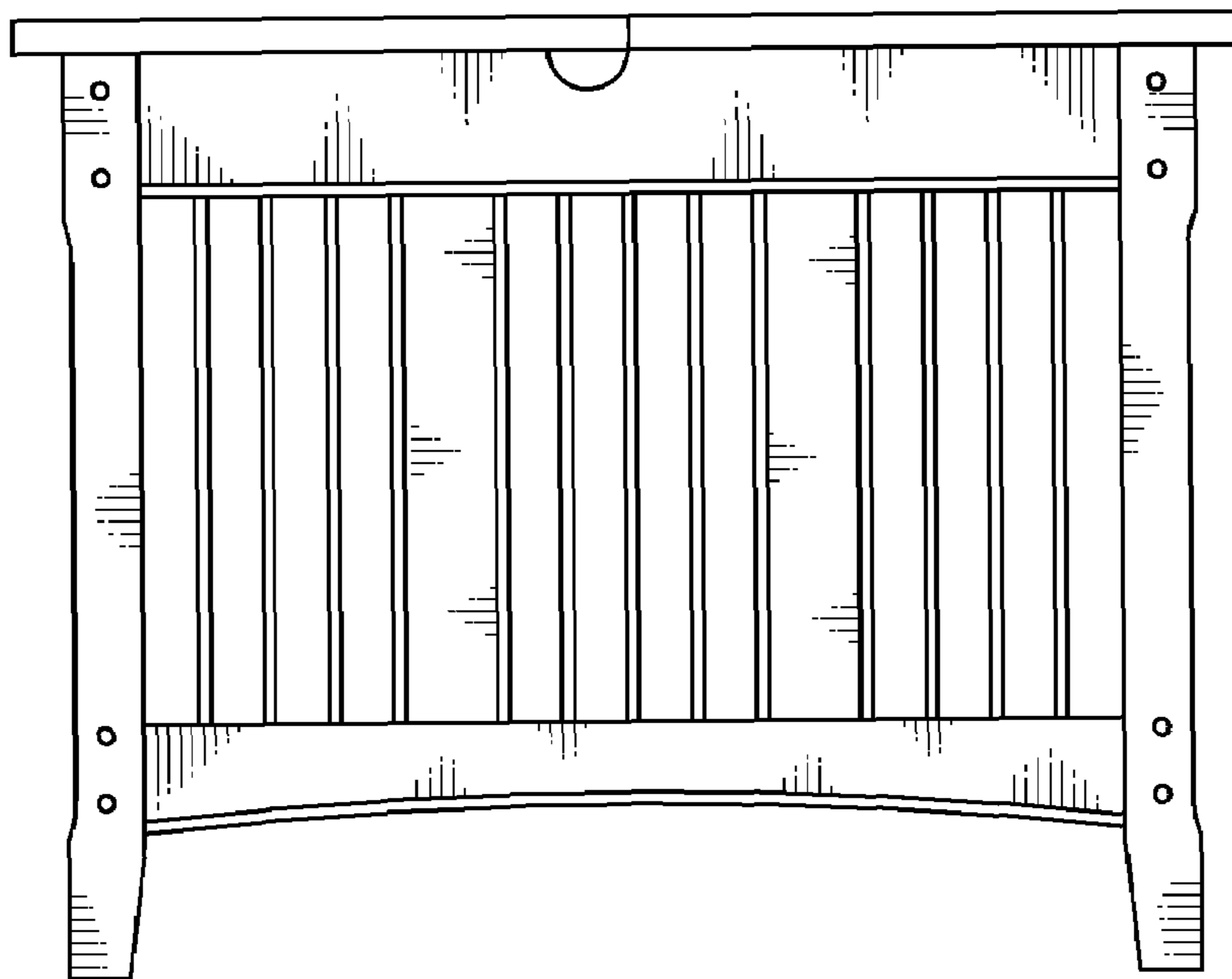


FIG. 5

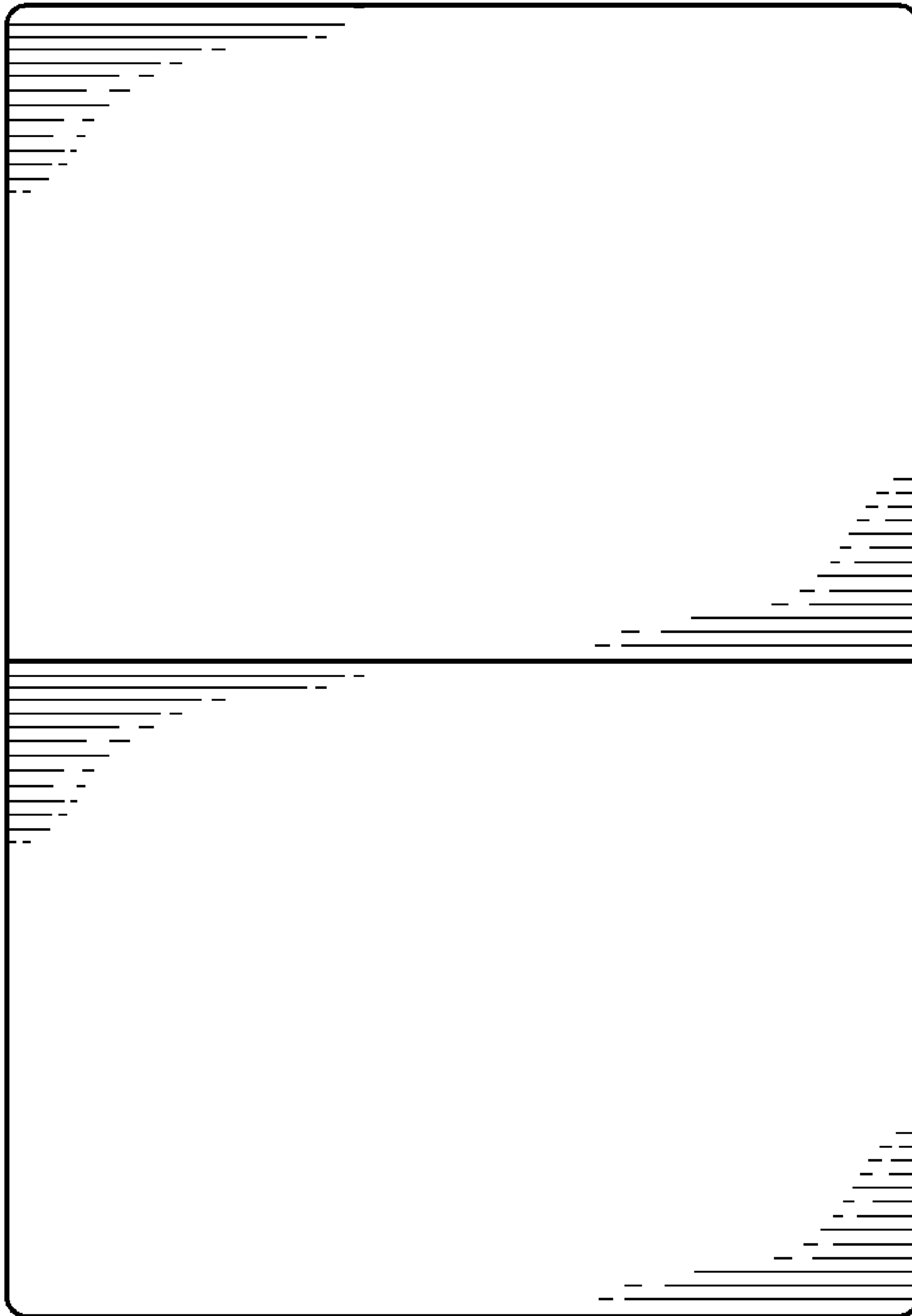


FIG.6

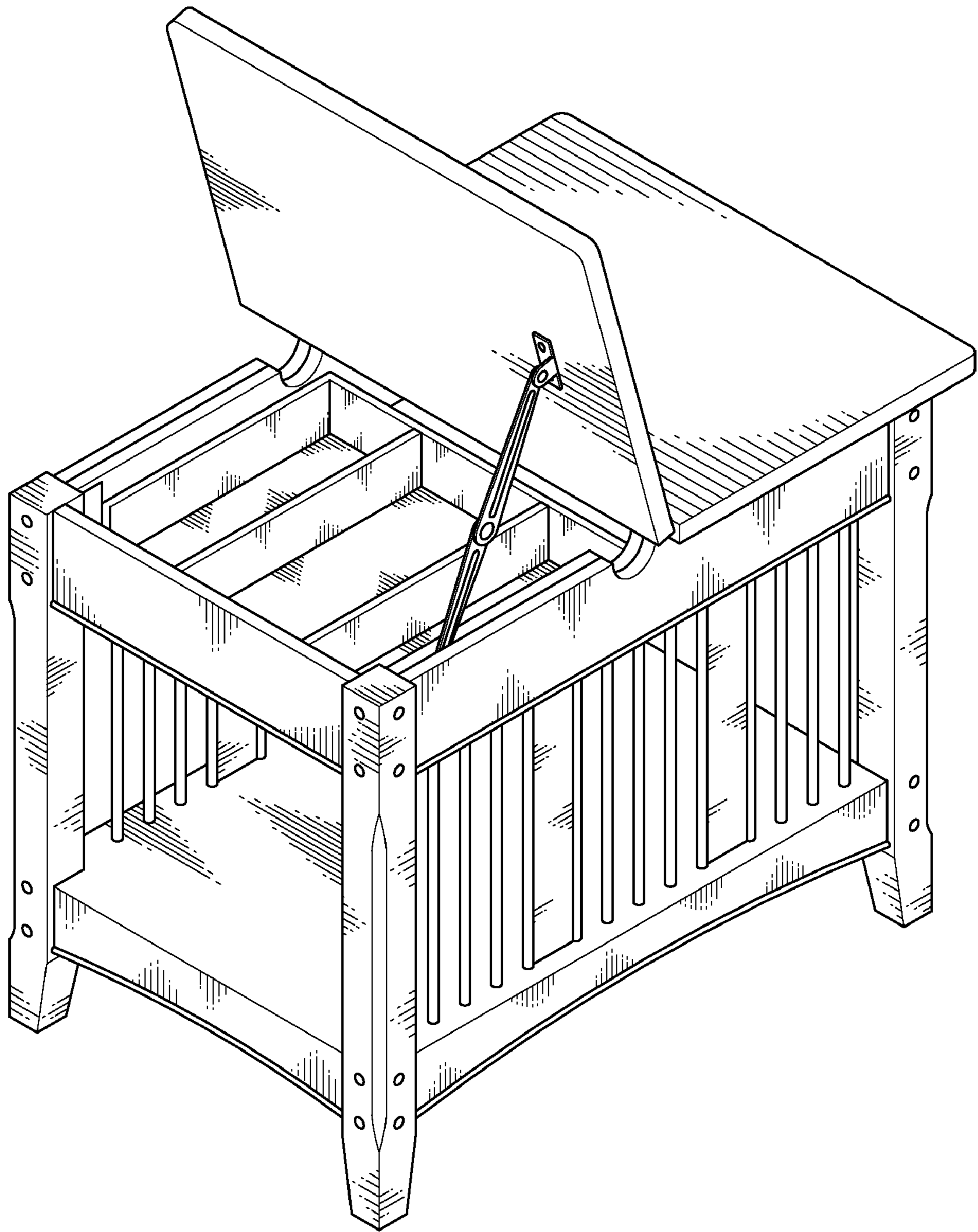


FIG. 7

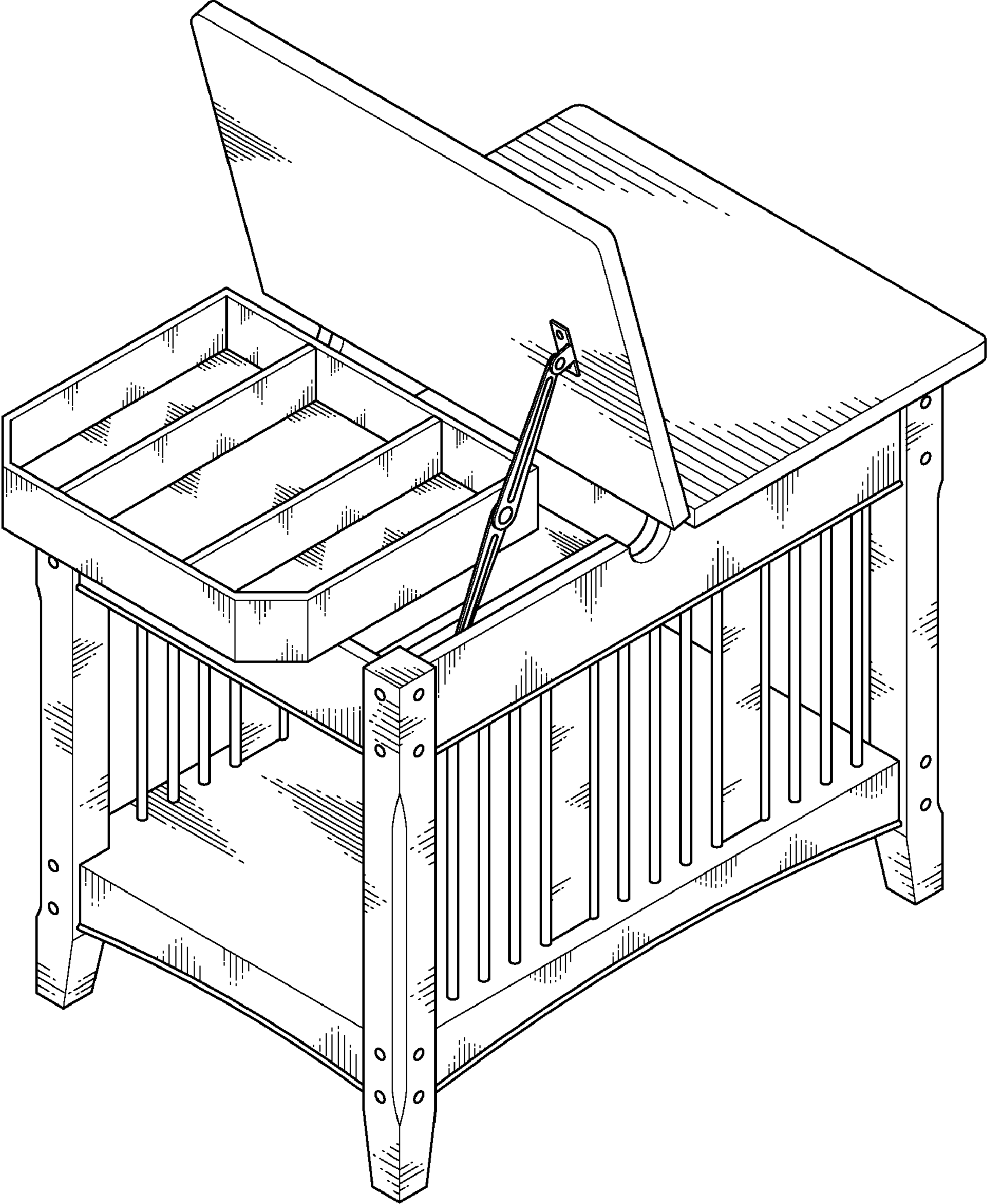


FIG. 8