



US00D584539S

(12) **United States Design Patent**
High

(10) **Patent No.:** **US D584,539 S**
(45) **Date of Patent:** **** Jan. 13, 2009**

- (54) **TABLE**
- (75) Inventor: **Bruce High**, Clitheroe (GB)
- (73) Assignee: **Senator International Limited** (GB)
- (**) Term: **14 Years**
- (21) Appl. No.: **29/285,928**
- (22) Filed: **Apr. 16, 2007**
- (30) **Foreign Application Priority Data**
Oct. 18, 2006 (EM) 000607411-0002
- (51) **LOC (9) Cl.** **06-03**
- (52) **U.S. Cl.** **D6/480**
- (58) **Field of Classification Search** D6/480-489,
D6/495-499, 511, 451, 421, 422; 108/150,
108/153.1, 156, 157.1, 161, 50.01, 50.02;
D14/305; 248/188, 188.1, 188.8
See application file for complete search history.
- (56) **References Cited**
U.S. PATENT DOCUMENTS
D451,301 S * 12/2001 Abboud et al. D6/422

- 6,564,723 B2 * 5/2003 Shapton 108/50.02
- D479,064 S * 9/2003 Goldberg D6/480
- D508,625 S * 8/2005 Frenkler et al. D6/484
- D526,811 S * 8/2006 Nicoletti D6/421

* cited by examiner

Primary Examiner—Janice E Seeger
(74) *Attorney, Agent, or Firm*—Salter & Michaelson

(57) **CLAIM**

The ornamental design for a table, as shown and described.

DESCRIPTION

FIG. 1 is a perspective view of a table showing my new design;

FIG. 2 is a front elevational view thereof;

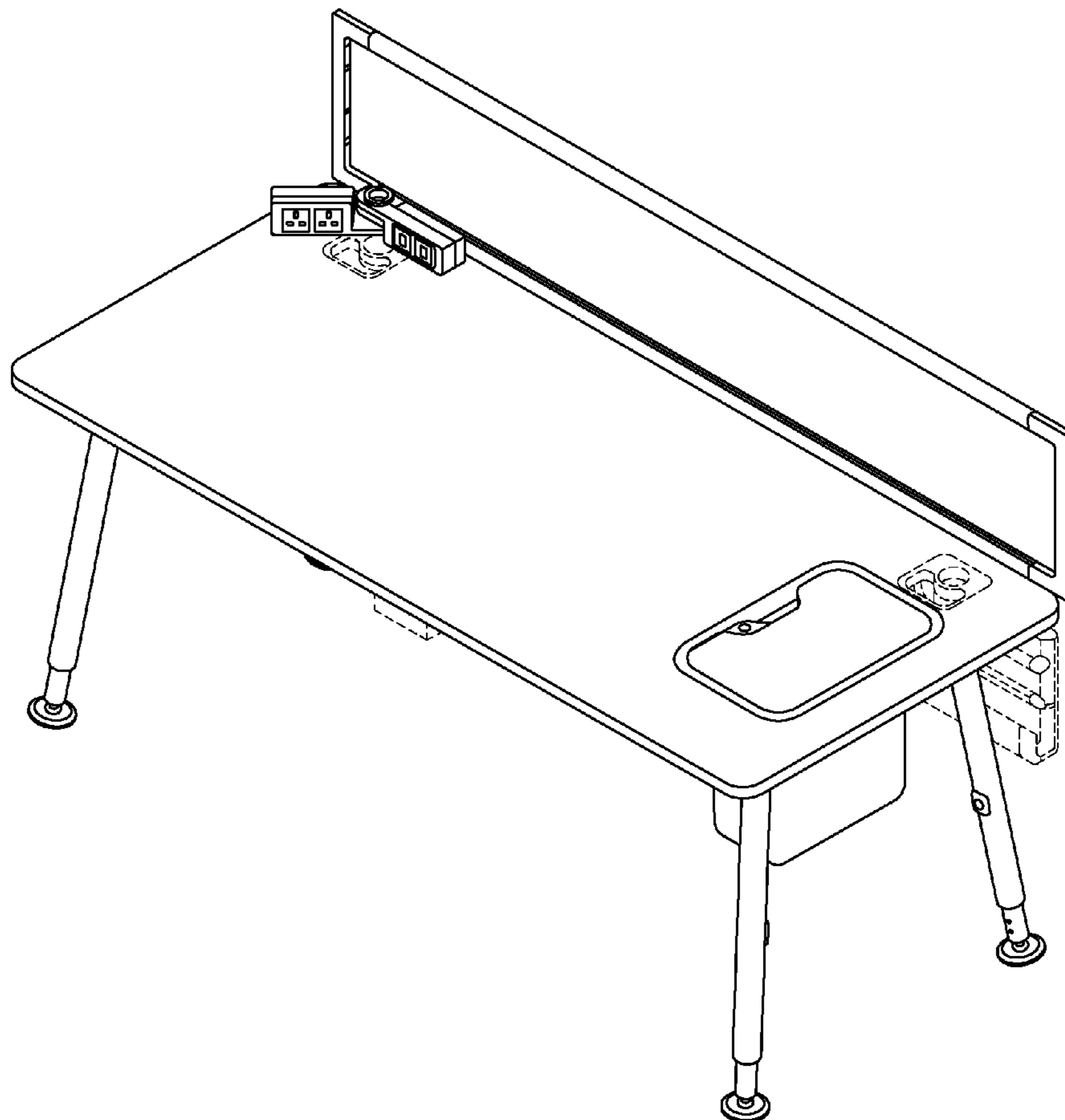
FIG. 3 is a top plan view thereof;

FIG. 4 is a right end view thereof; and,

FIG. 5 is a rear elevational view thereof.

The portions shown in broken lines in FIGS. 1, 2, 3, 4 and 5 are for environmental purposes only and form no part of the claimed design.

1 Claim, 5 Drawing Sheets



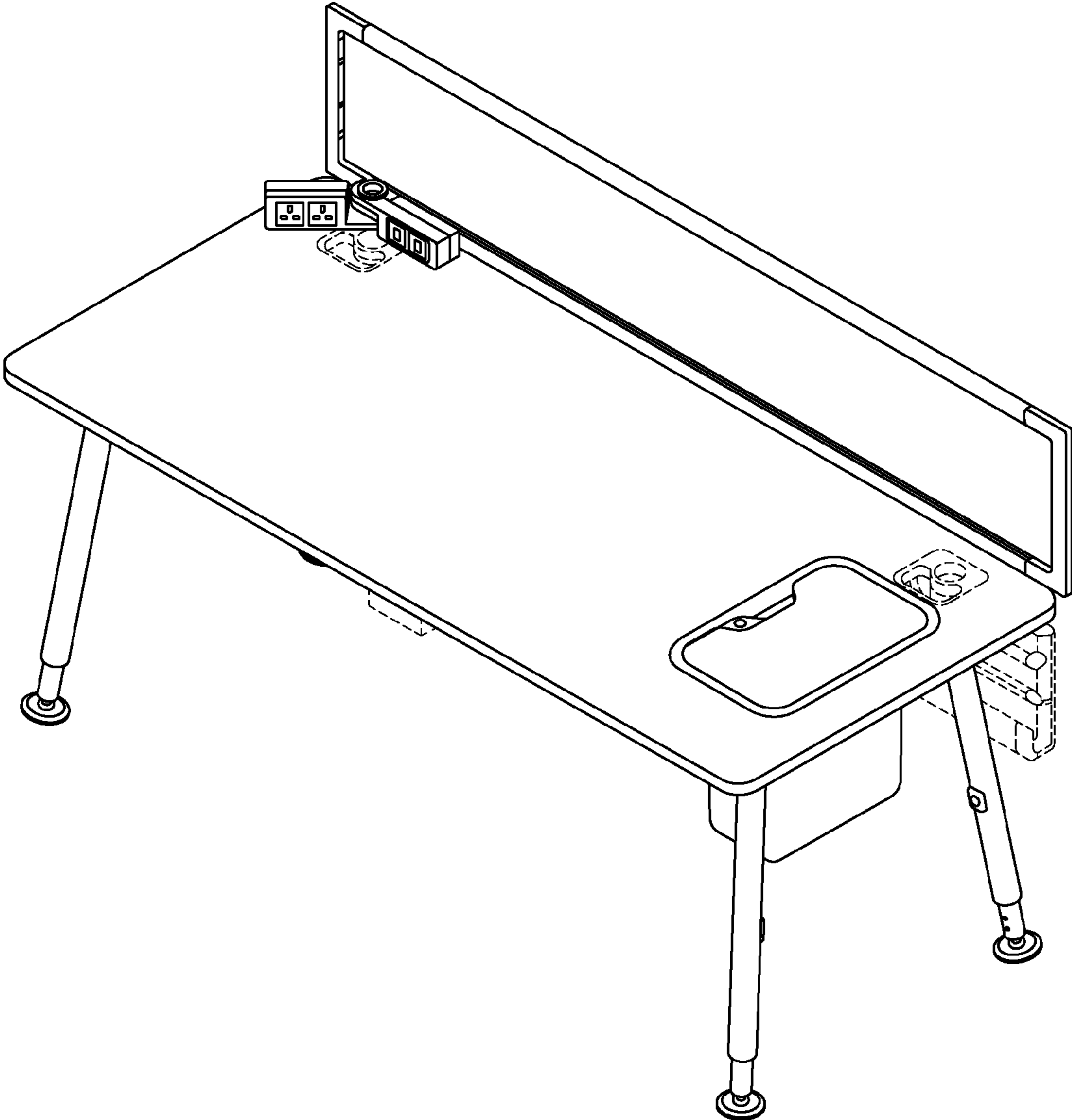


FIG. 1

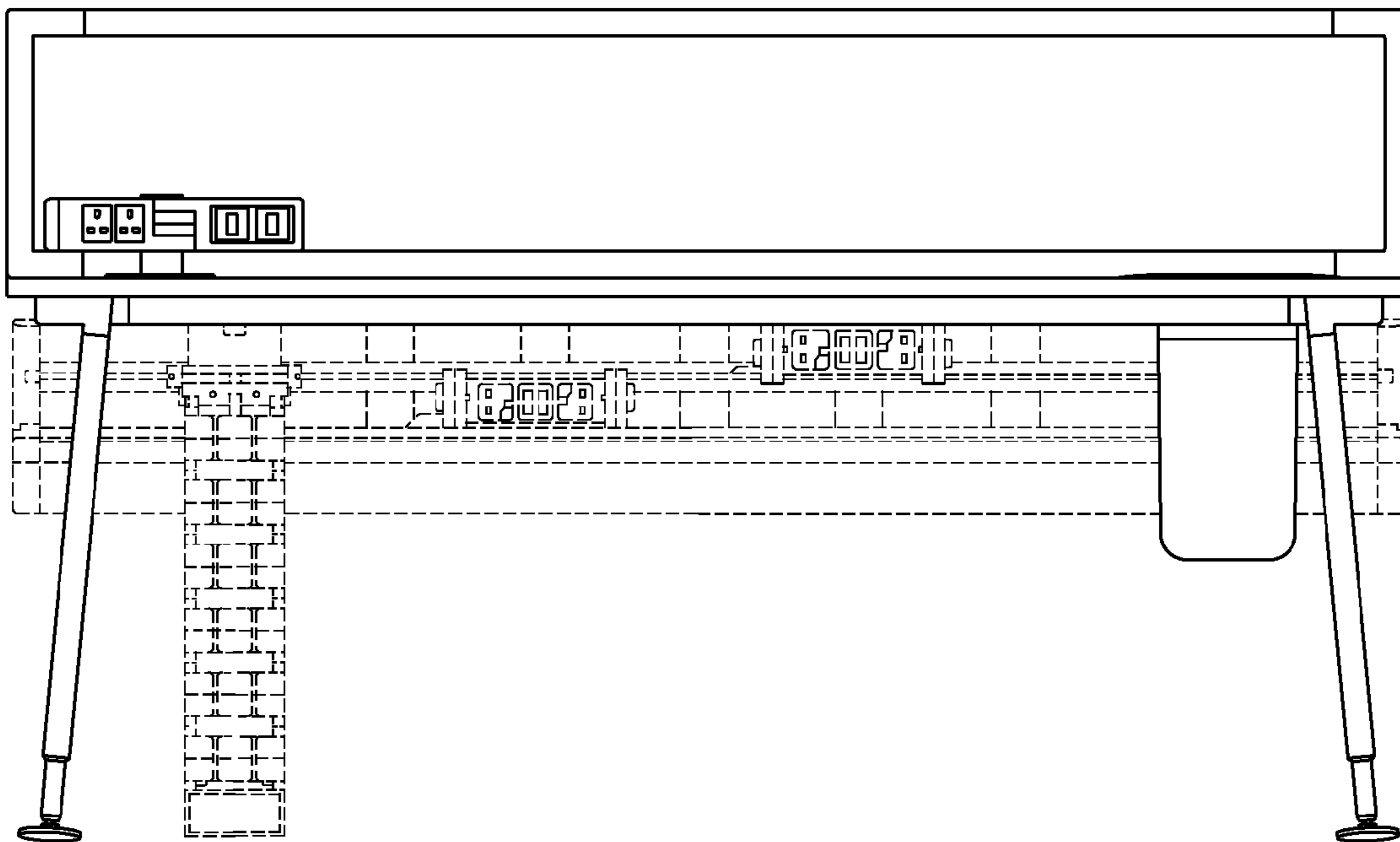


FIG. 2

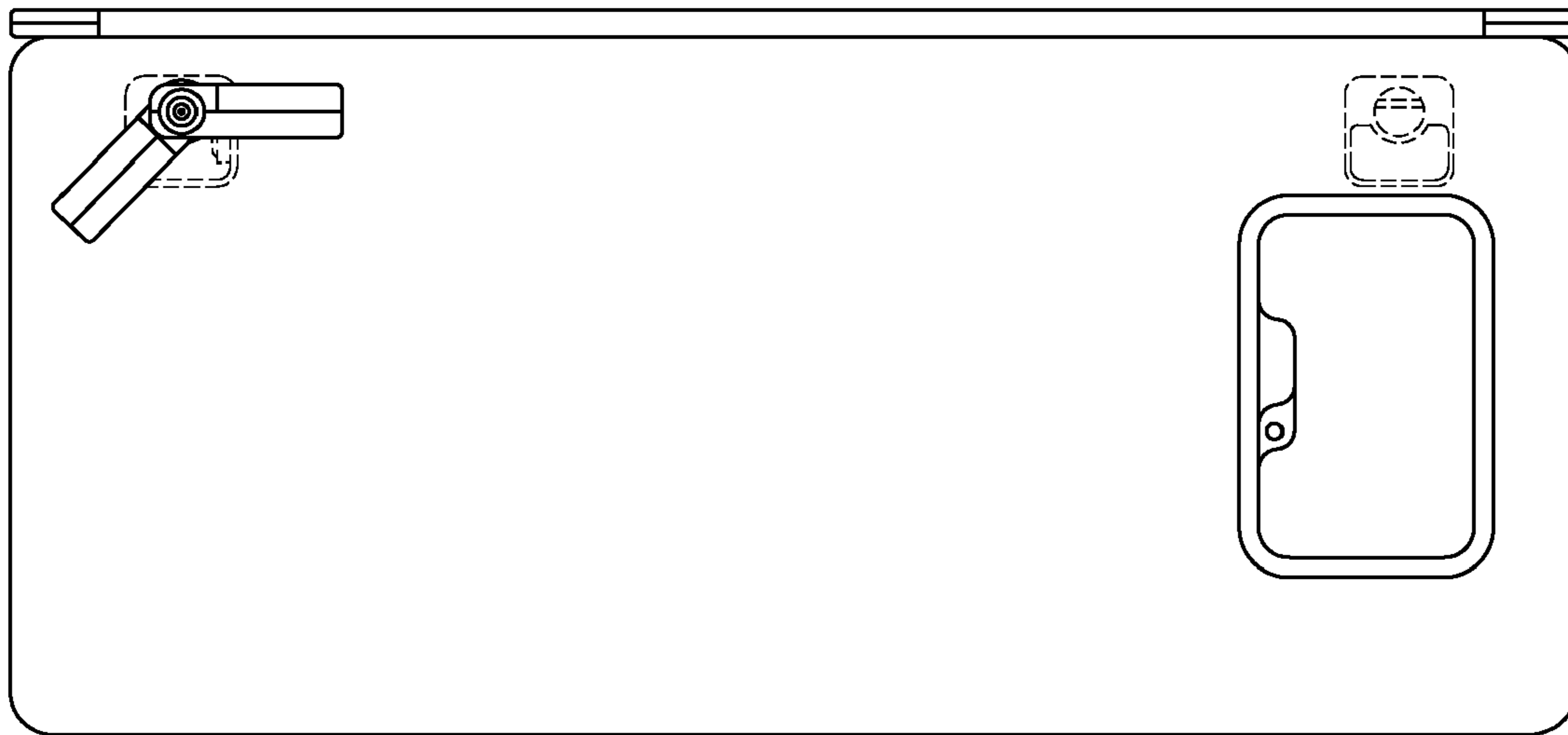


FIG. 3

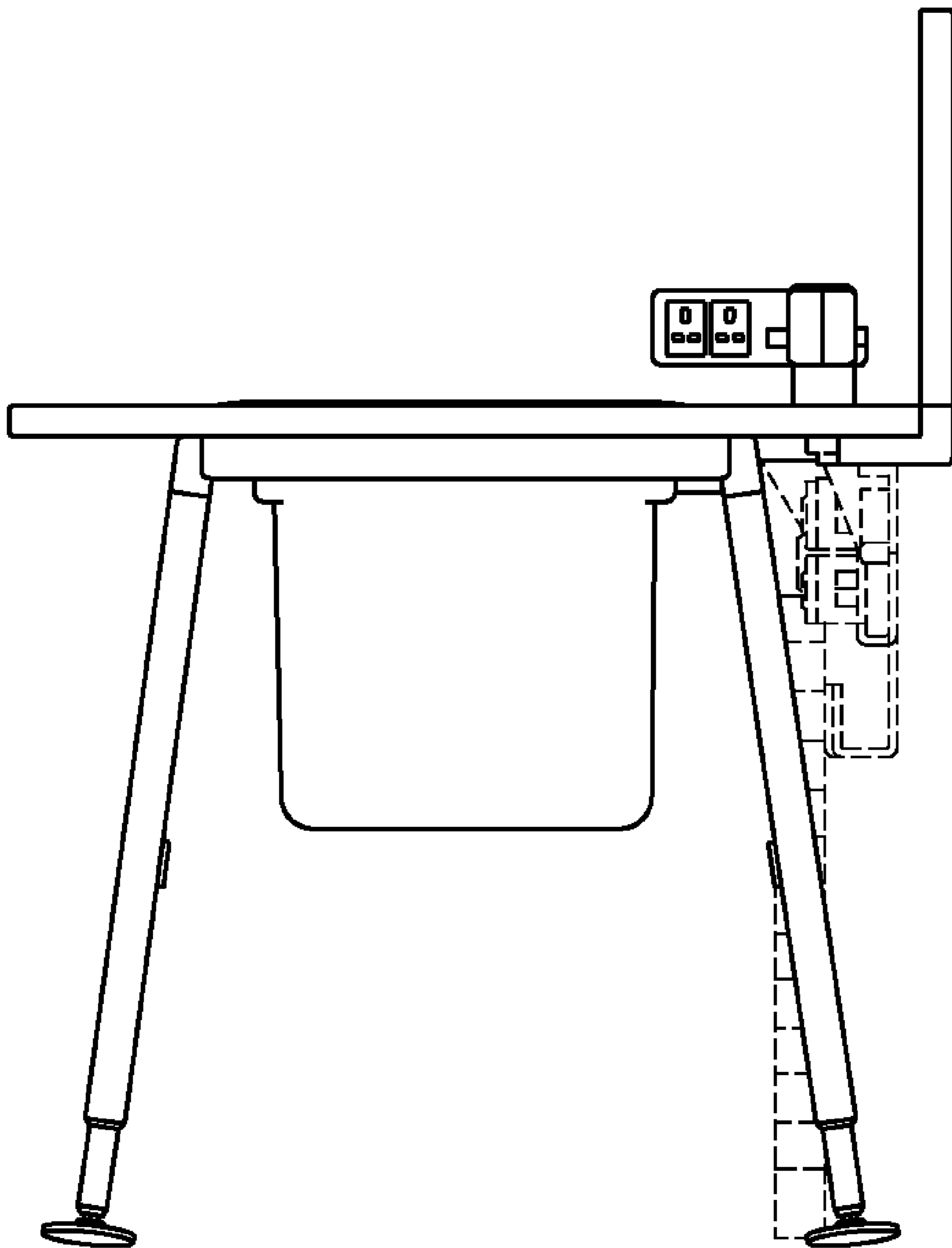


FIG. 4

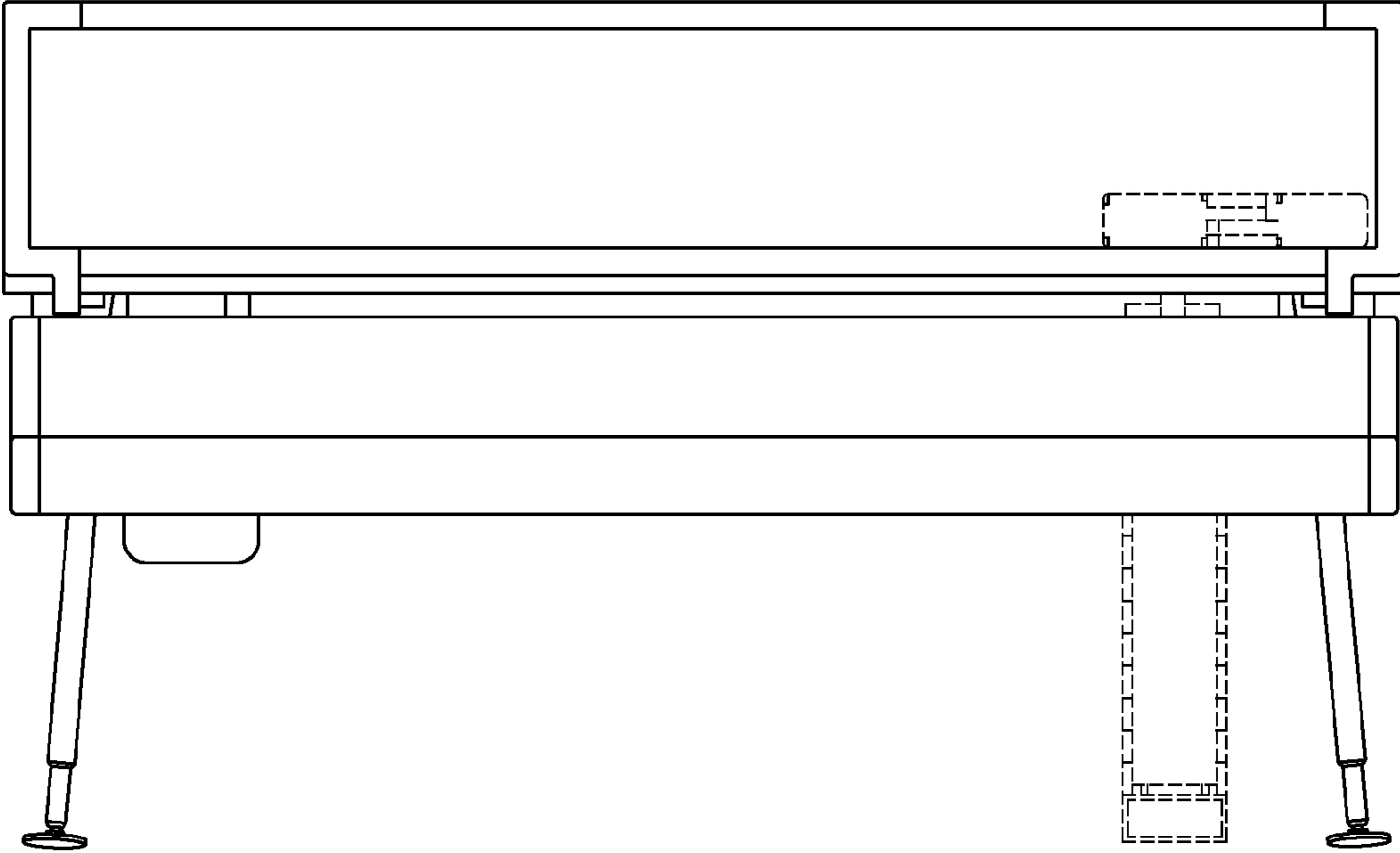


FIG. 5