



US00D584534S

(12) **United States Design Patent**
Clucas et al.

(10) **Patent No.:** **US D584,534 S**

(45) **Date of Patent:** **** Jan. 13, 2009**

(54) **VANITY**

(75) Inventors: **Michael Patrick Clucas**, Newark, DE
(US); **Paul Henry Winter**, Newark, DE
(US); **Kaveh Didehvar**, Hockessin, DE
(US)

(73) Assignee: **Zenith Products Corp.**, New Castle, DE
(US)

(**) Term: **14 Years**

(21) Appl. No.: **29/302,330**

(22) Filed: **Jan. 15, 2008**

(51) **LOC (9) Cl.** **06-04**

(52) **U.S. Cl.** **D6/446**

(58) **Field of Classification Search** D6/432-448,
D6/561; D23/286, 308; 312/138.1, 204,
312/209, 227, 228, 228.1
See application file for complete search history.

(56) **References Cited**

U.S. PATENT DOCUMENTS

D382,139 S *	8/1997	Palka	D6/446
D384,223 S *	9/1997	Palka	D6/445
D385,723 S *	11/1997	Palka	D6/445
D385,724 S *	11/1997	Palka	D6/445
D439,458 S	3/2001	Melillo		
6,224,175 B1	5/2001	Schmidt		
D454,262 S	3/2002	Chu et al.		
D464,330 S	10/2002	Zarker, Jr.		
D479,058 S	9/2003	Walker		
D496,188 S	9/2004	Walker		
D499,902 S *	12/2004	Mohundro	D6/446
D500,217 S *	12/2004	Mohundro	D6/446
D500,929 S	1/2005	Walker		
D502,820 S *	3/2005	Mohundro	D6/446

D523,661 S	6/2006	Bruce		
D526,143 S *	8/2006	Bruce	D6/446
D534,370 S	1/2007	Charnik		
D534,998 S	1/2007	Charnik		
D543,724 S *	6/2007	Baade	D6/446

* cited by examiner

Primary Examiner—Mimosa De

(74) *Attorney, Agent, or Firm*—Panitch Schwarze Belisario & Nadel LLP

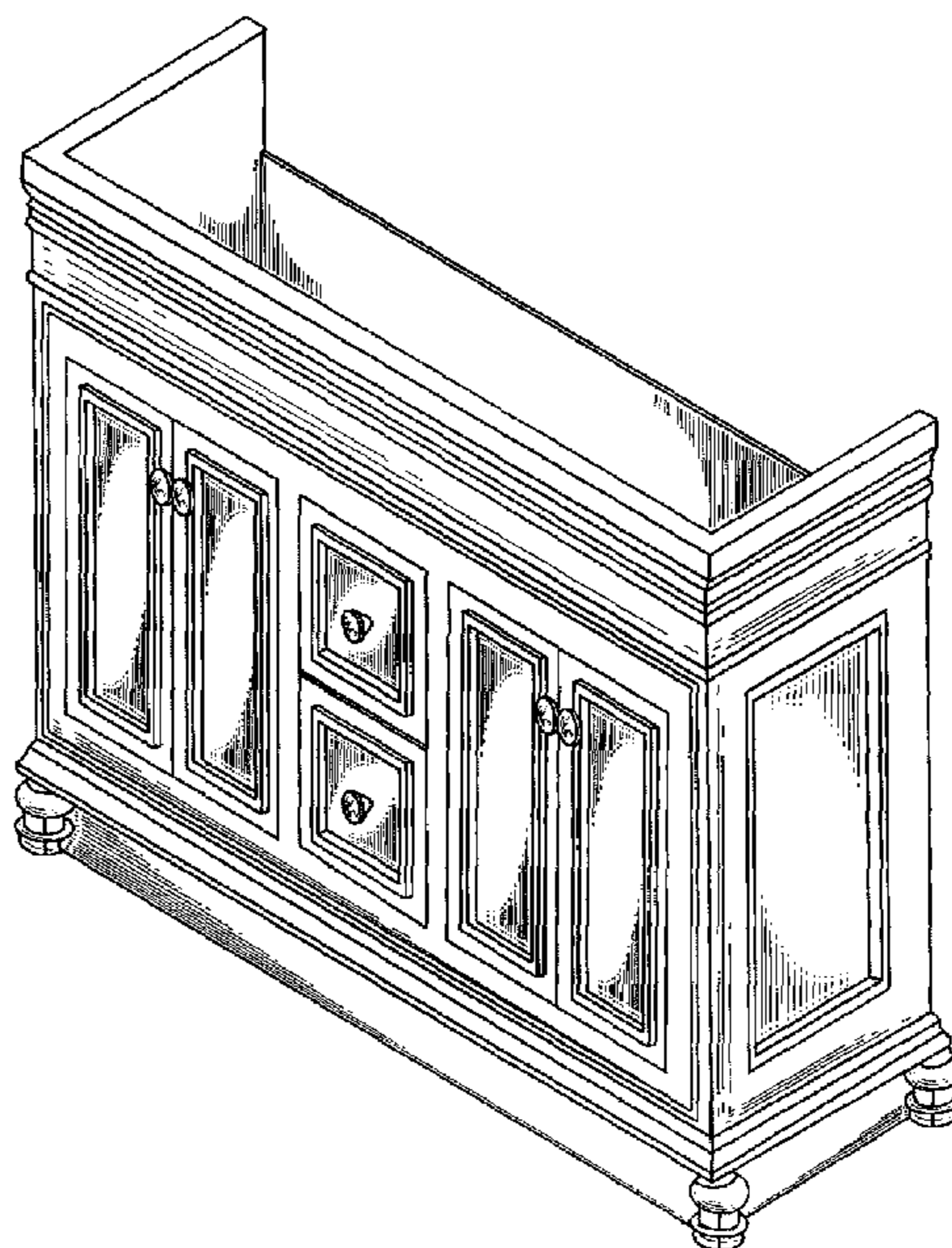
(57) **CLAIM**

The ornamental design for a vanity, as shown and described.

DESCRIPTION

FIG. 1 is a front right perspective view of a first preferred embodiment of a vanity in accordance with our new design; FIG. 2 is a front elevation view of the vanity shown in FIG. 1; FIG. 3 is a rear elevation view of the vanity shown in FIG. 1; FIG. 4 is a top plan view of the vanity shown in FIG. 1; FIG. 5 is a bottom plan view of the vanity shown in FIG. 1; FIG. 6 is a right side elevation view of the vanity shown in FIG. 1, with the left side being a mirror image; FIG. 7 is a front left perspective view of a second preferred embodiment of a vanity with a filler strip in accordance with our new design, with the right side elevation view being identical to FIG. 6; FIG. 8 is front elevation view of the vanity shown in FIG. 7; FIG. 9 is a rear elevation view of the vanity shown in FIG. 7; and, FIG. 10 is a left side elevation view of the vanity shown in FIG. 7.

1 Claim, 4 Drawing Sheets



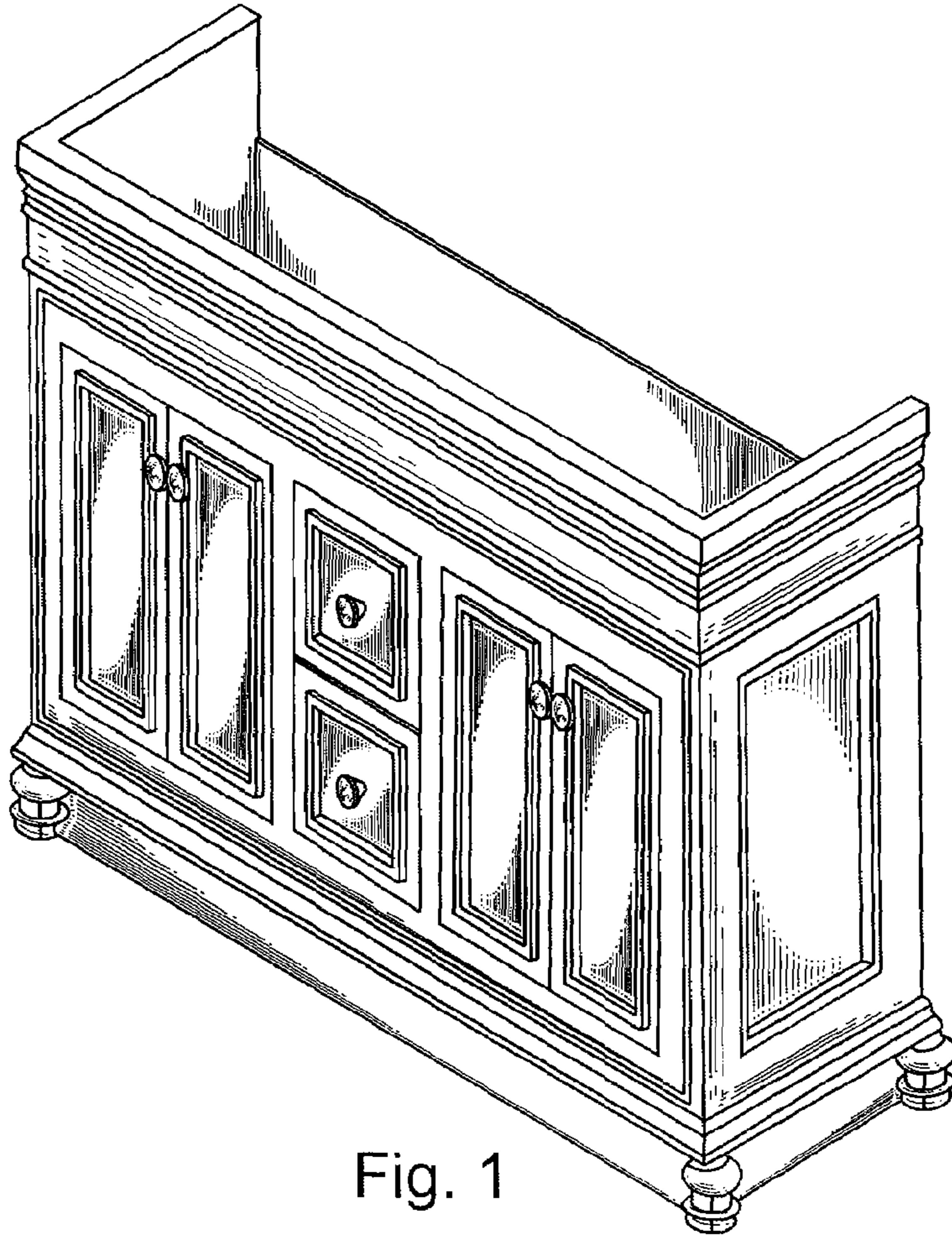


Fig. 1

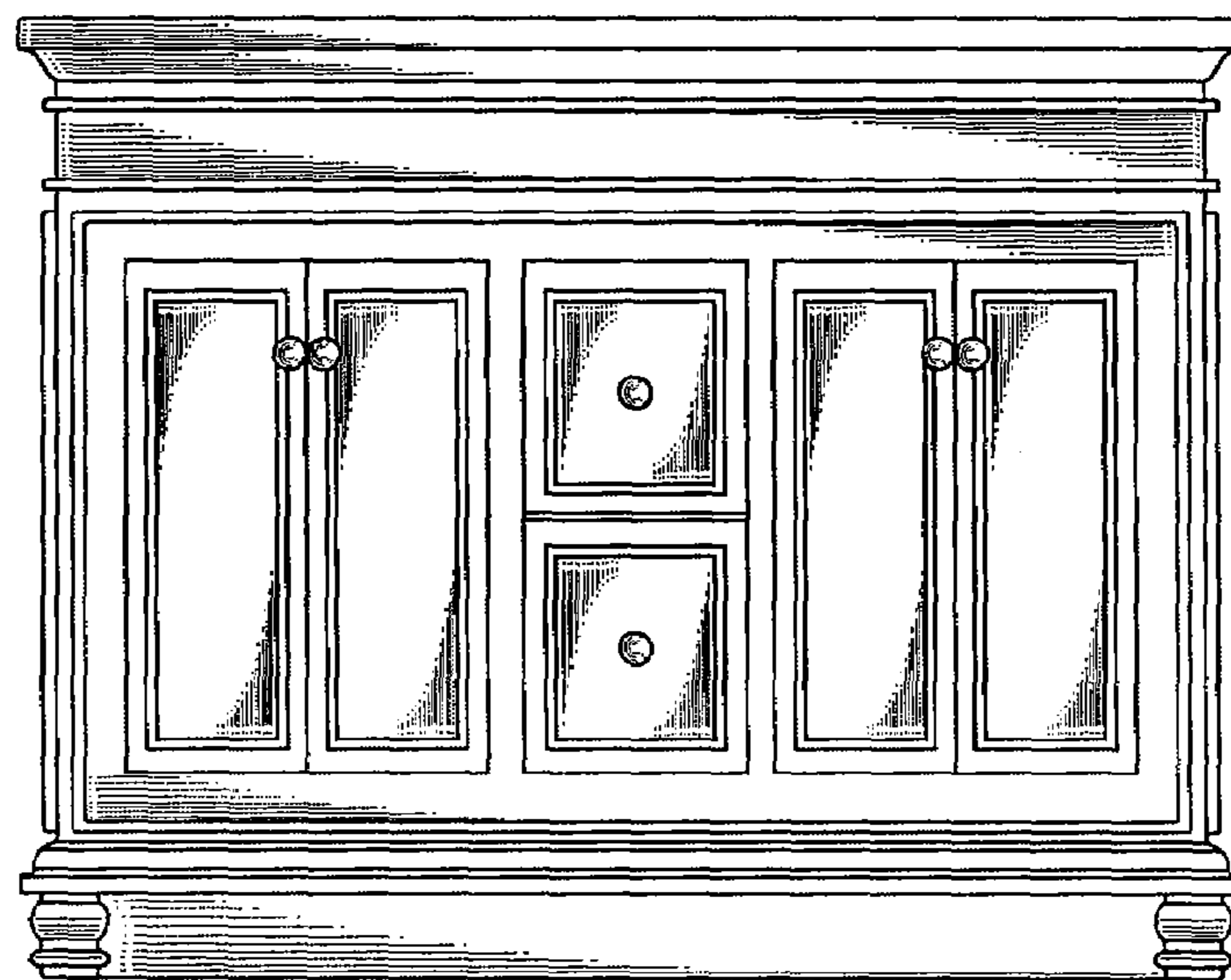


Fig. 2

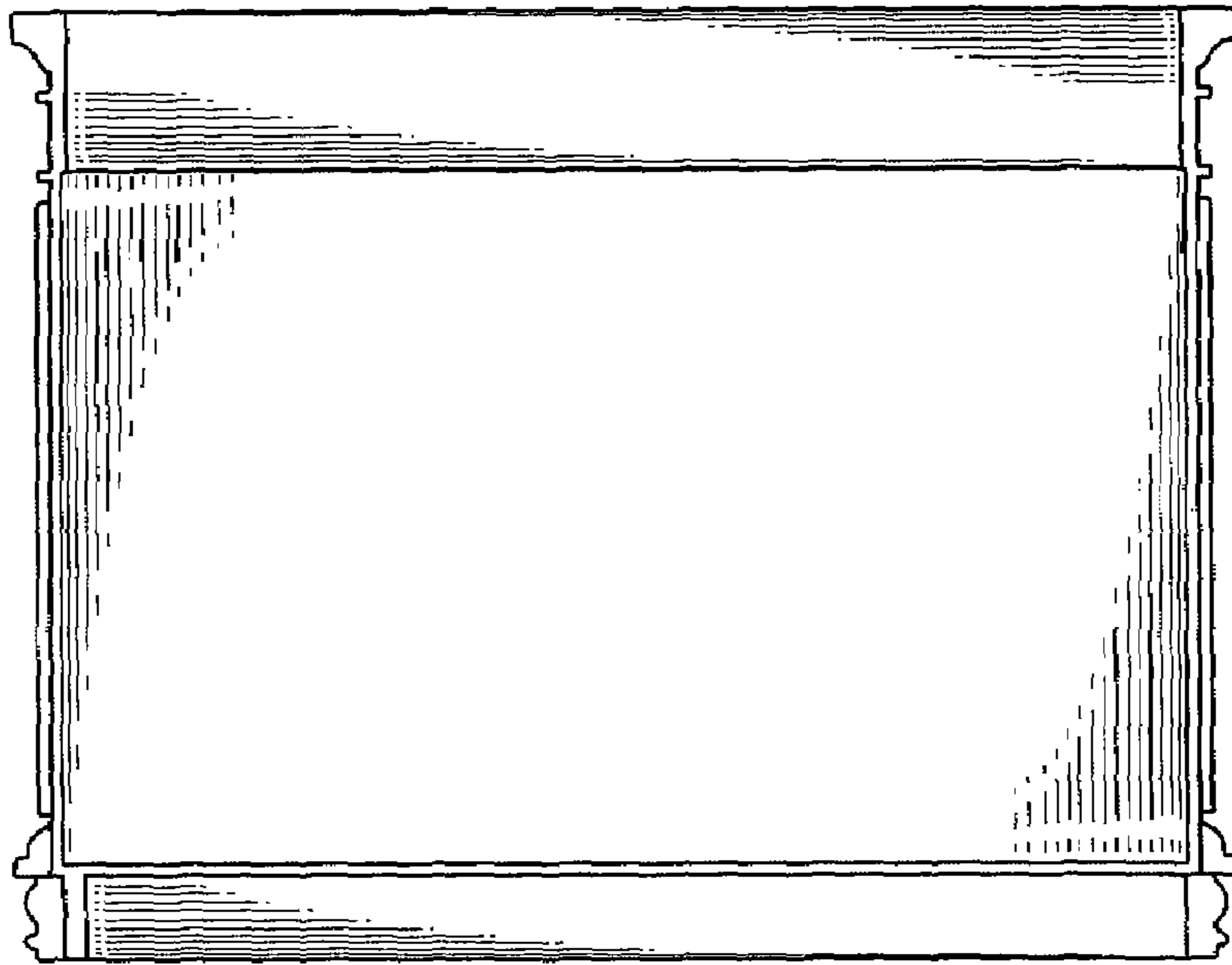


Fig. 3

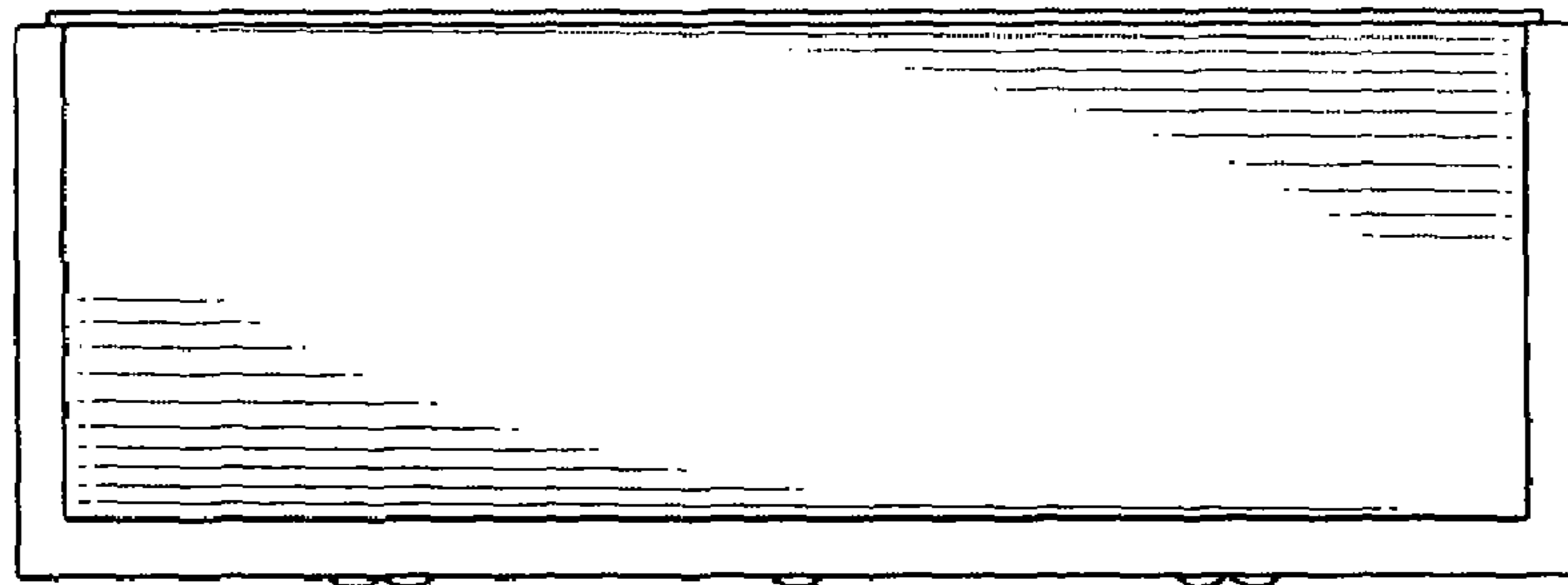


Fig. 4

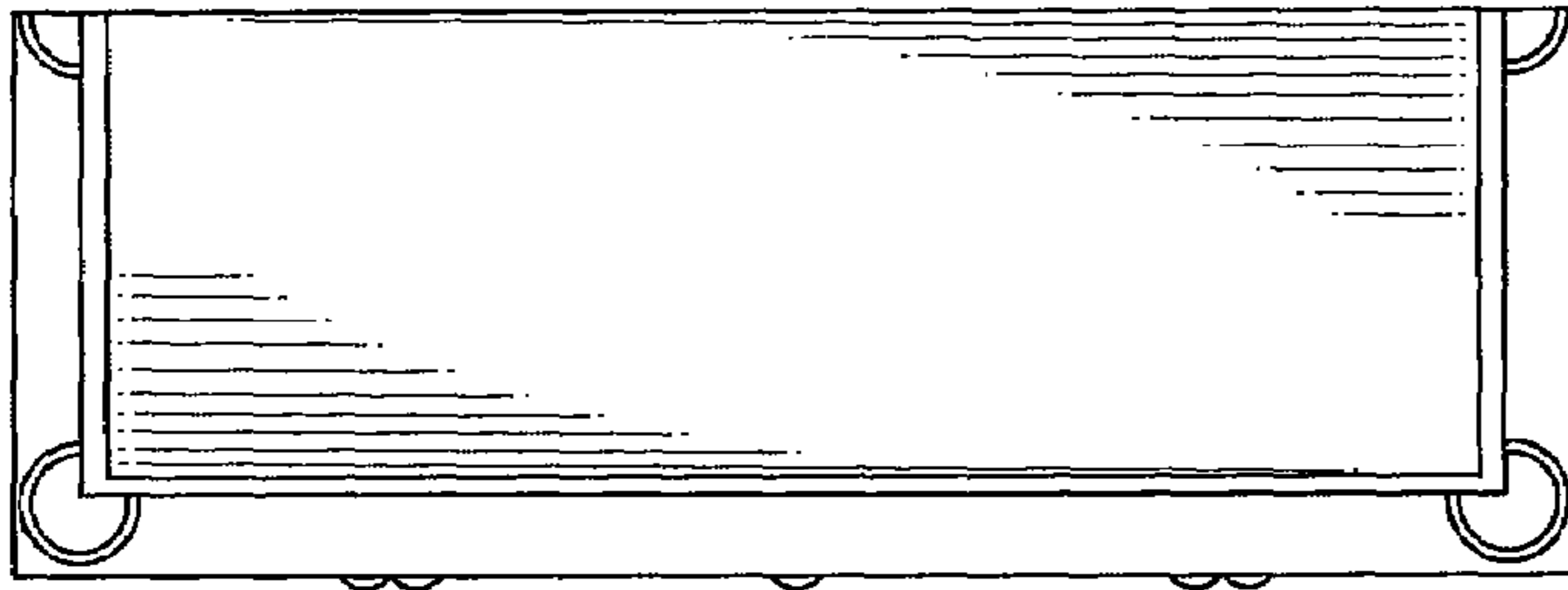


Fig. 5

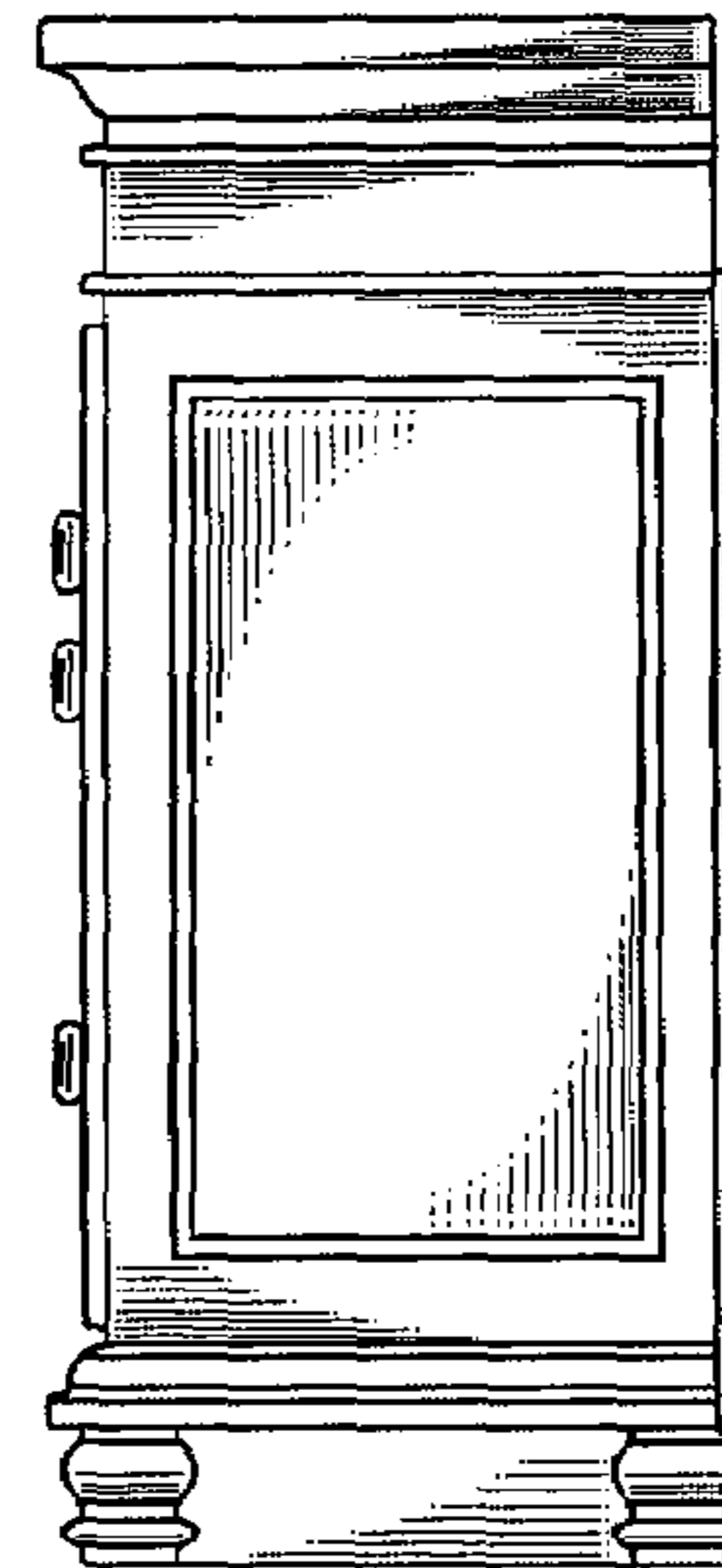


Fig. 6

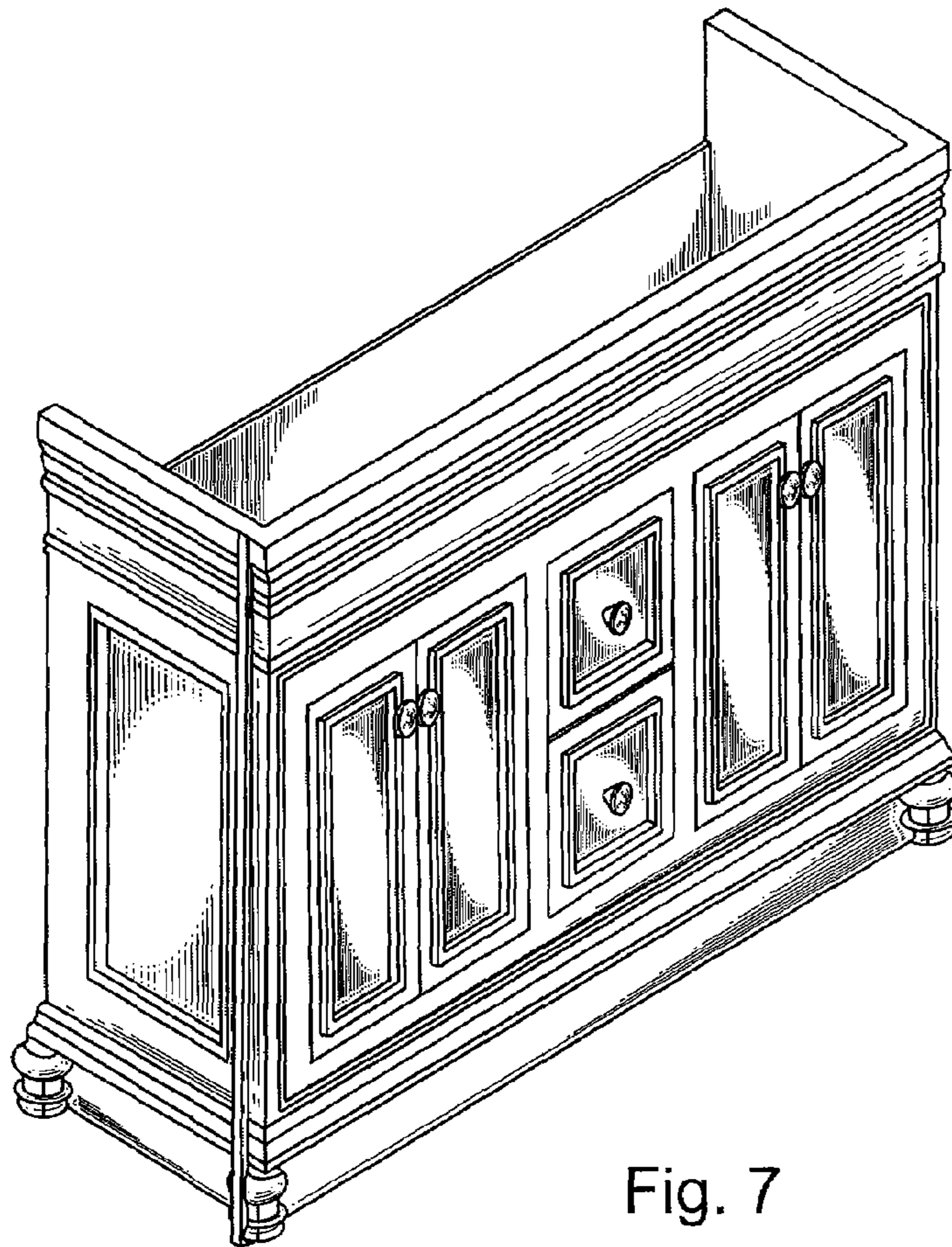


Fig. 7

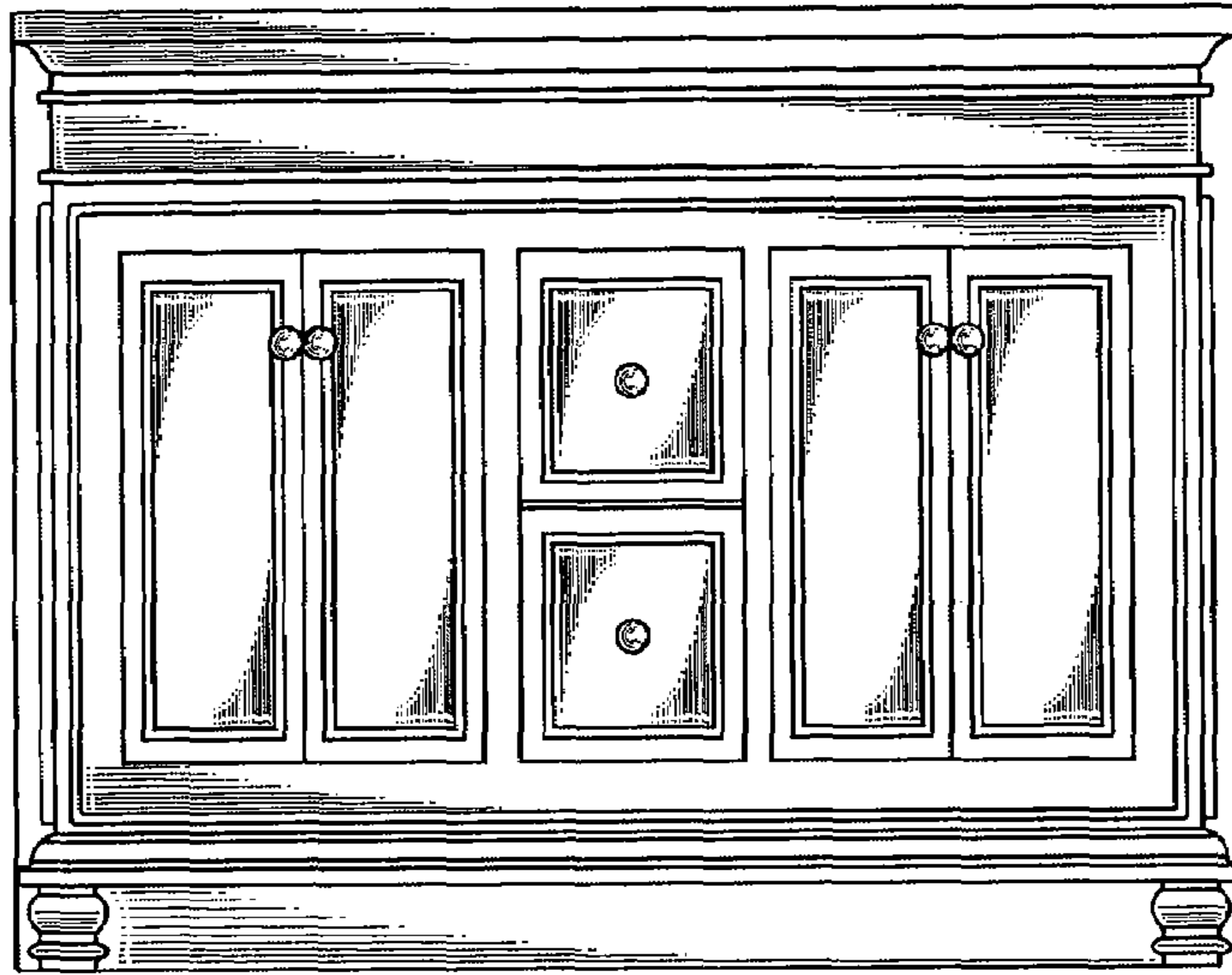


Fig. 8

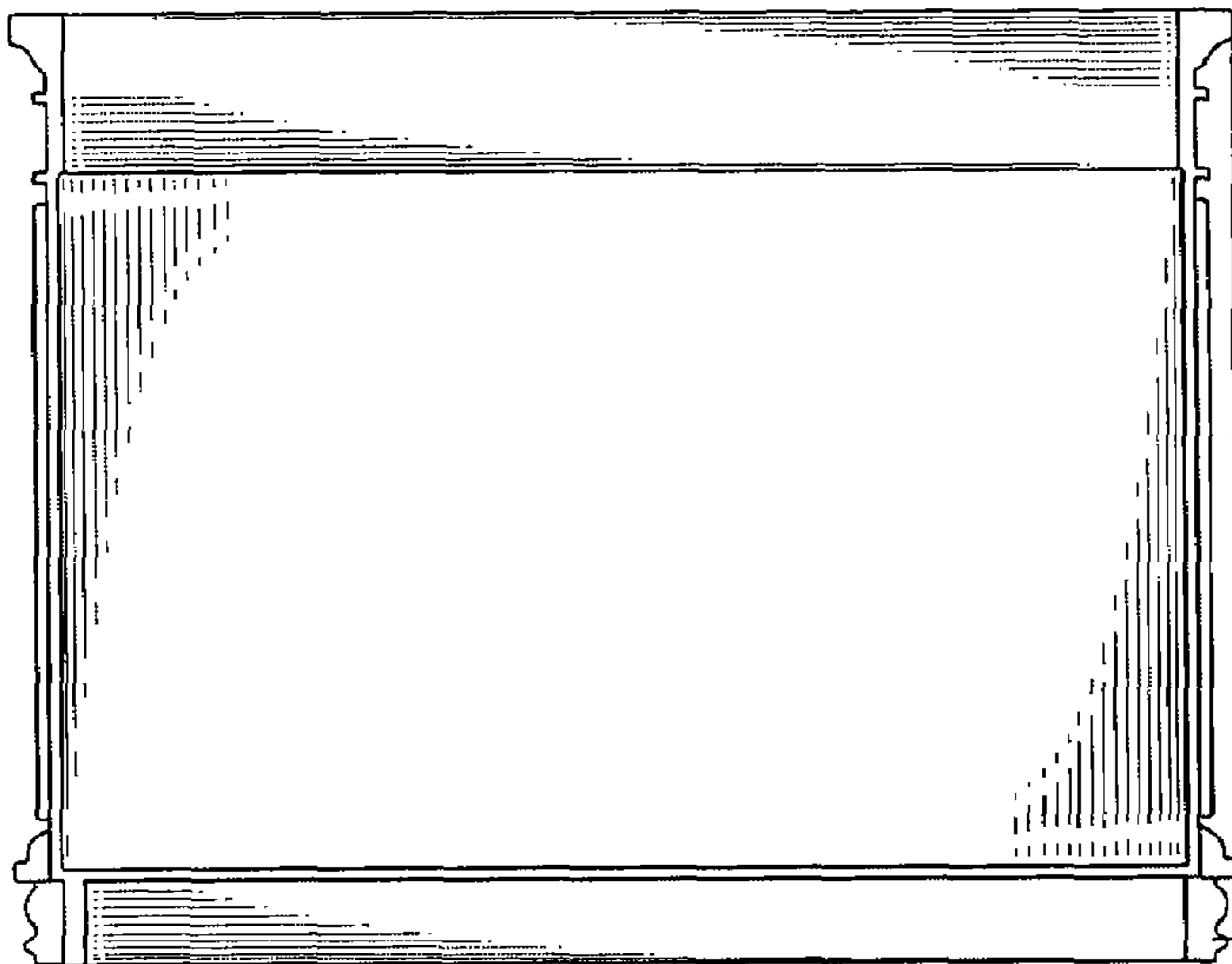


Fig. 9

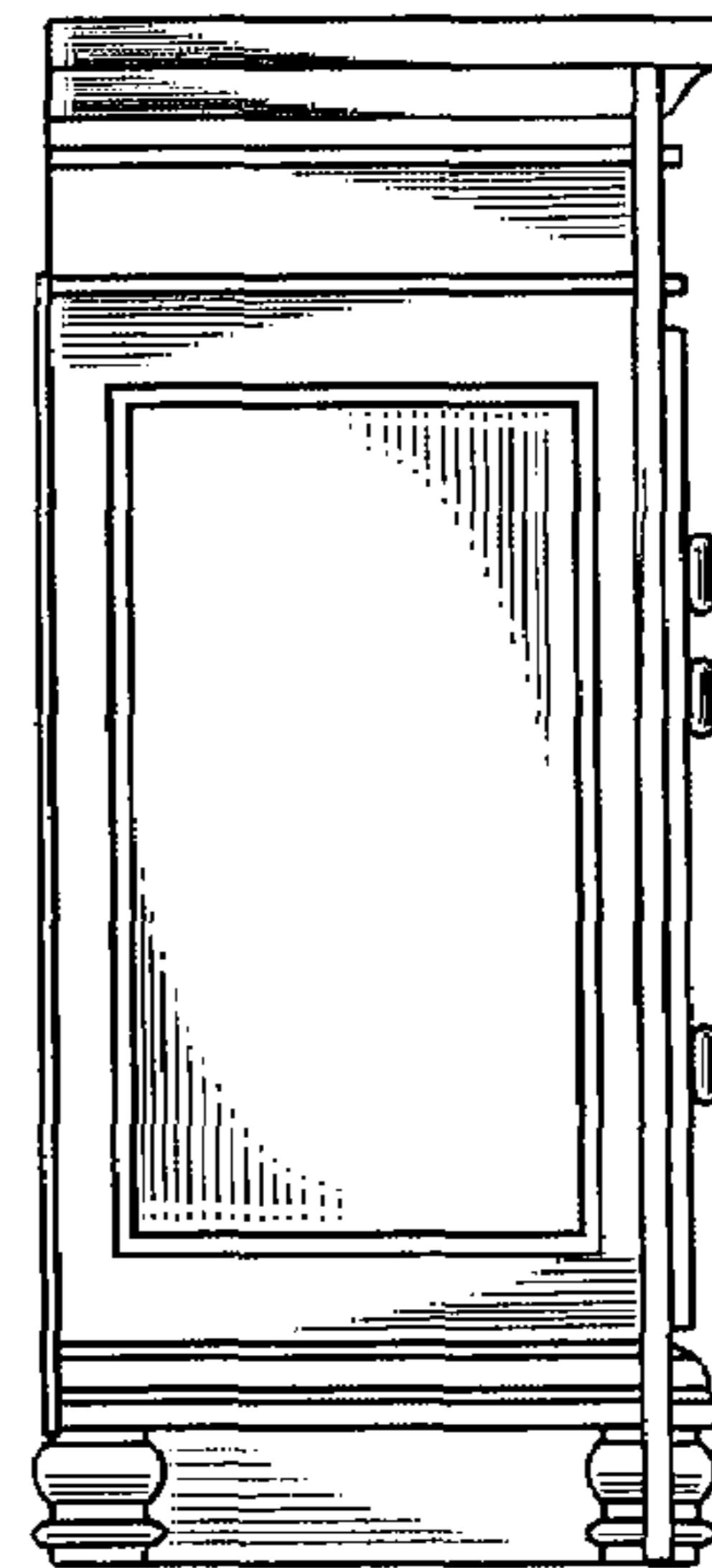


Fig. 10