



US00D584532S

(12) **United States Design Patent**
Mohundro

(10) **Patent No.:** **US D584,532 S**
(45) **Date of Patent:** **** Jan. 13, 2009**

(54) **COCKTAIL TABLE**

(75) Inventor: **James Glenn Mohundro**, Taichung (TW)

(73) Assignee: **Pacific Marketing International (H.K.), Ltd.**, Taichung (TW)

(**) Term: **14 Years**

(21) Appl. No.: **29/302,440**

(22) Filed: **Jan. 16, 2008**

(51) **LOC (9) Cl.** **06-03**

(52) **U.S. Cl.** **D6/430; D6/480**

(58) **Field of Classification Search** D6/480-489, D6/495-499, 429-431, 511, 419, 420, 422-426, D6/477, 479, 492; 108/150, 153.1, 156, 108/157.1, 161, 93-97, 106, 40, 145, 144.11, 108/147.18; 248/188, 188.1, 188.8; 312/205, 312/241

See application file for complete search history.

(56) **References Cited**

U.S. PATENT DOCUMENTS

- D173,904 S * 1/1955 Keal D6/430
- D450,492 S * 11/2001 Sabo et al. D6/480
- D452,624 S * 1/2002 de Blois D6/477

- D453,083 S * 1/2002 Hokanson D6/484
- D454,723 S * 3/2002 O'Hare D6/436
- D503,298 S * 3/2005 Juneau D6/480
- D532,220 S * 11/2006 Domack et al. D6/480
- D559,586 S * 1/2008 Domack et al. D6/436
- 2004/0040480 A1 * 3/2004 Hwang 108/145

* cited by examiner

Primary Examiner—Janice E Seeger

(74) *Attorney, Agent, or Firm*—Egbert Law Offices PLLC

(57) **CLAIM**

The ornamental design for a cocktail table, as shown and described.

DESCRIPTION

FIG. 1 is an upper perspective view of the cocktail table showing my design.

FIG. 2 is a front view thereof;

FIG. 3 is a back view thereof;

FIG. 4 is a side view thereof;

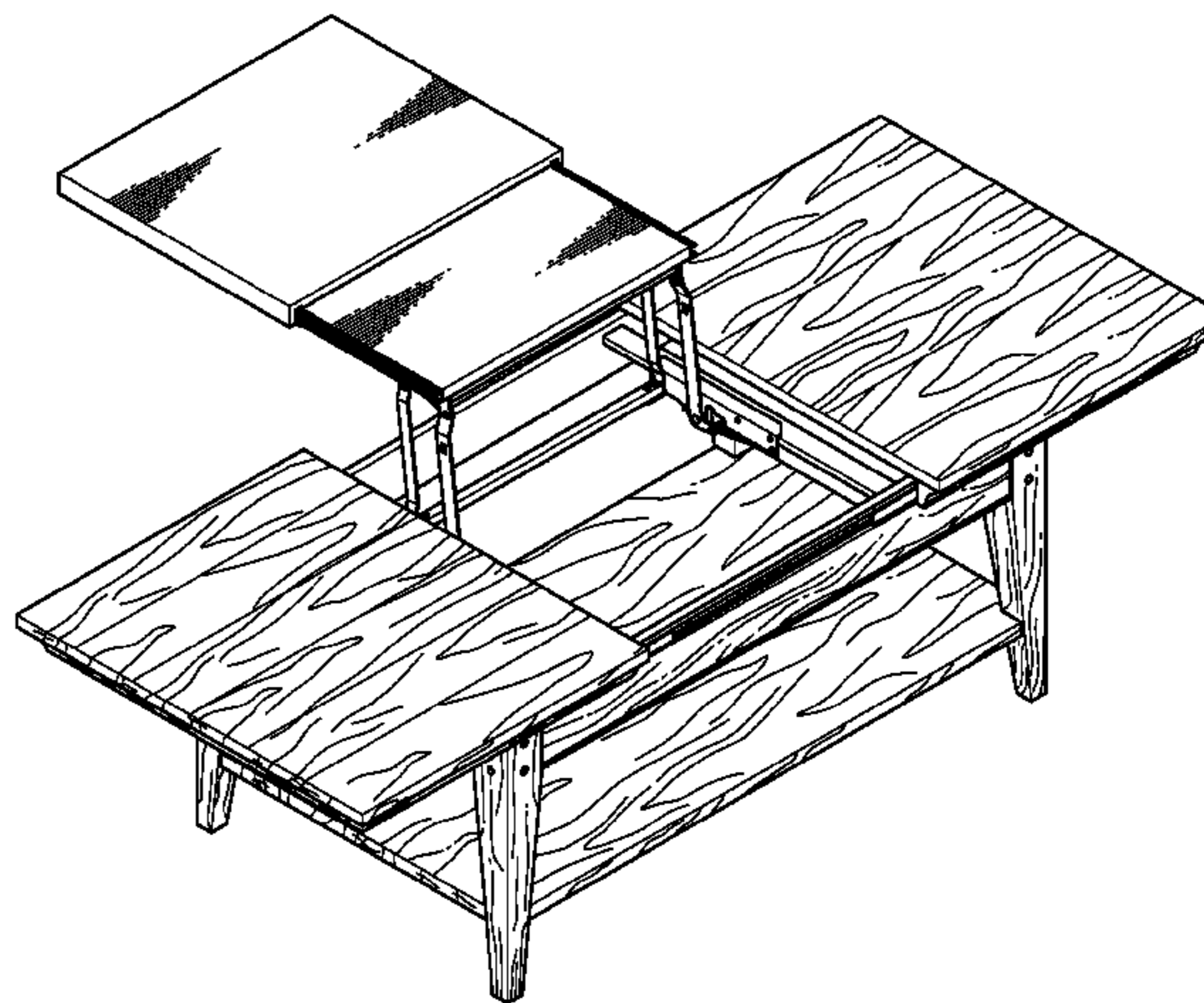
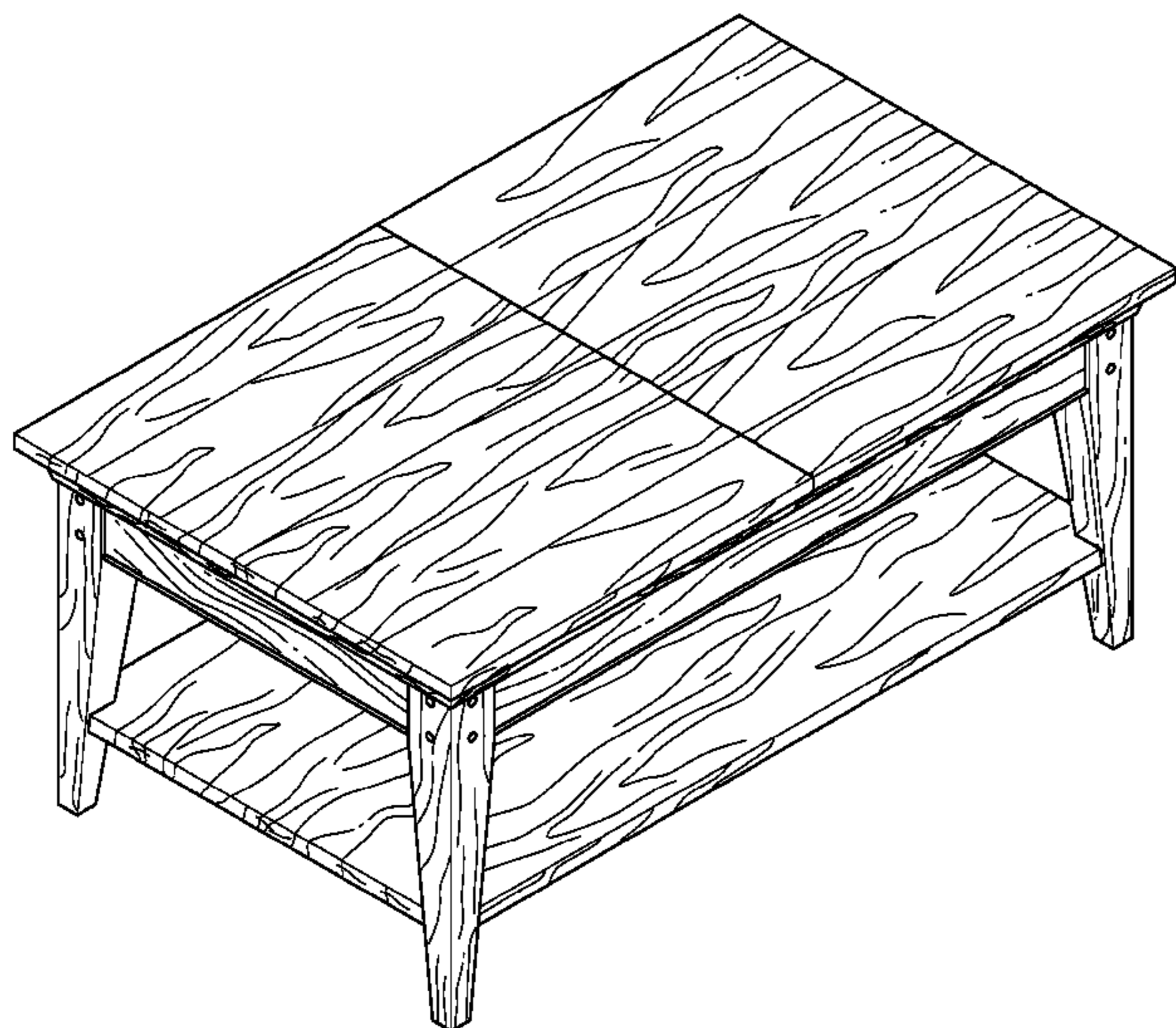
FIG. 5 is an opposite side view thereof;

FIG. 6 is top view thereof; and,

FIG. 7 is another perspective view, showing an open position.

The bottom of the table forms no part of the claimed design.

1 Claim, 5 Drawing Sheets



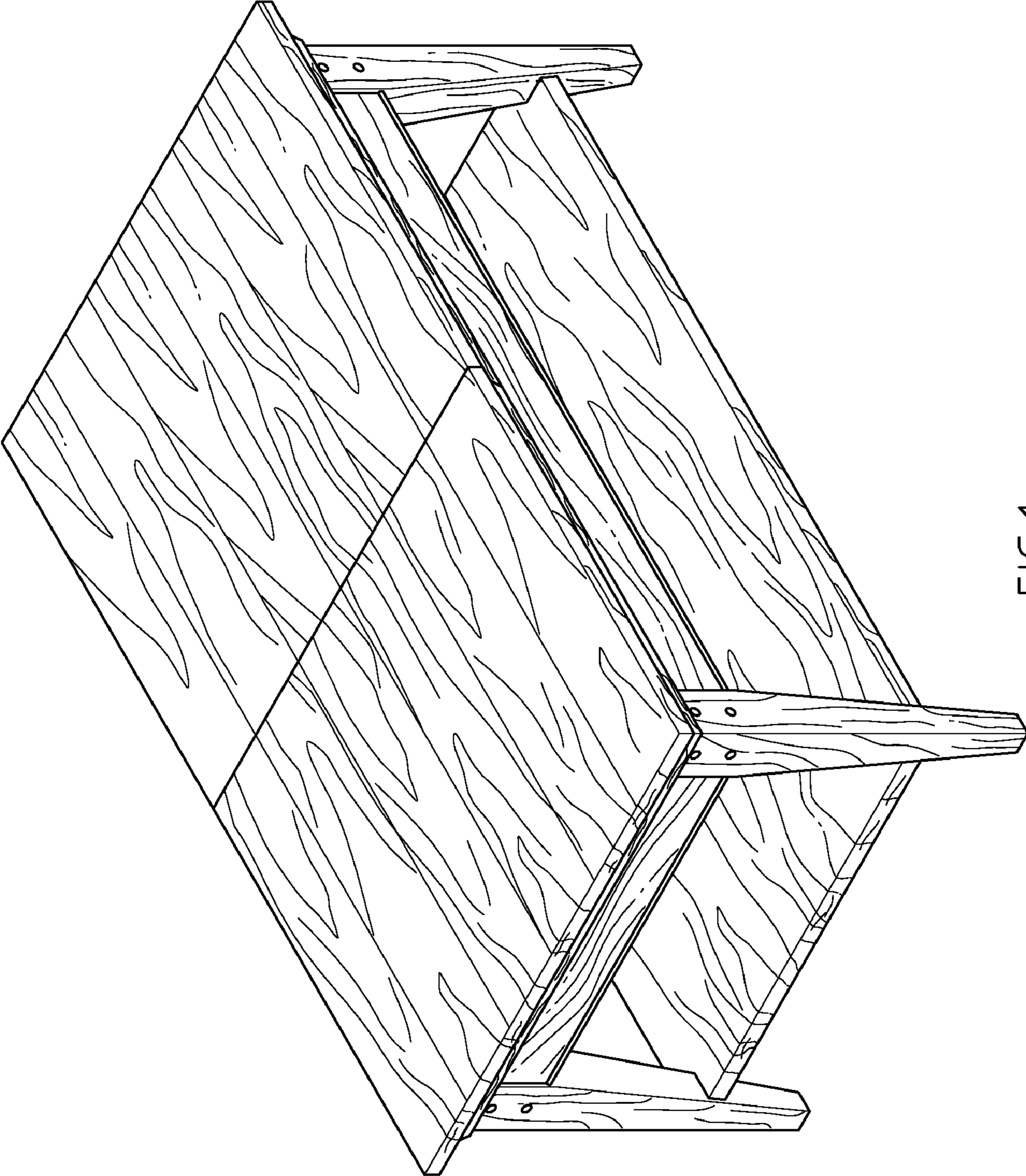


FIG.1

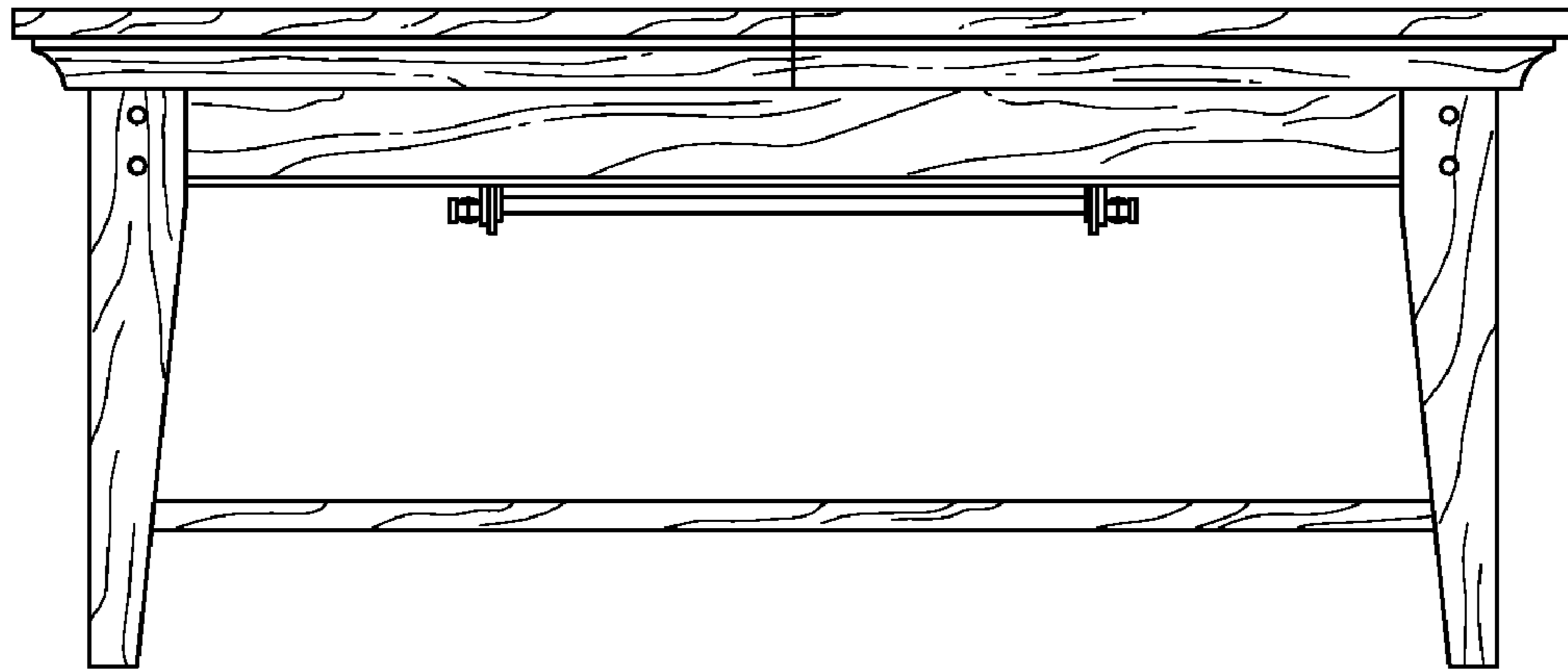


FIG. 2

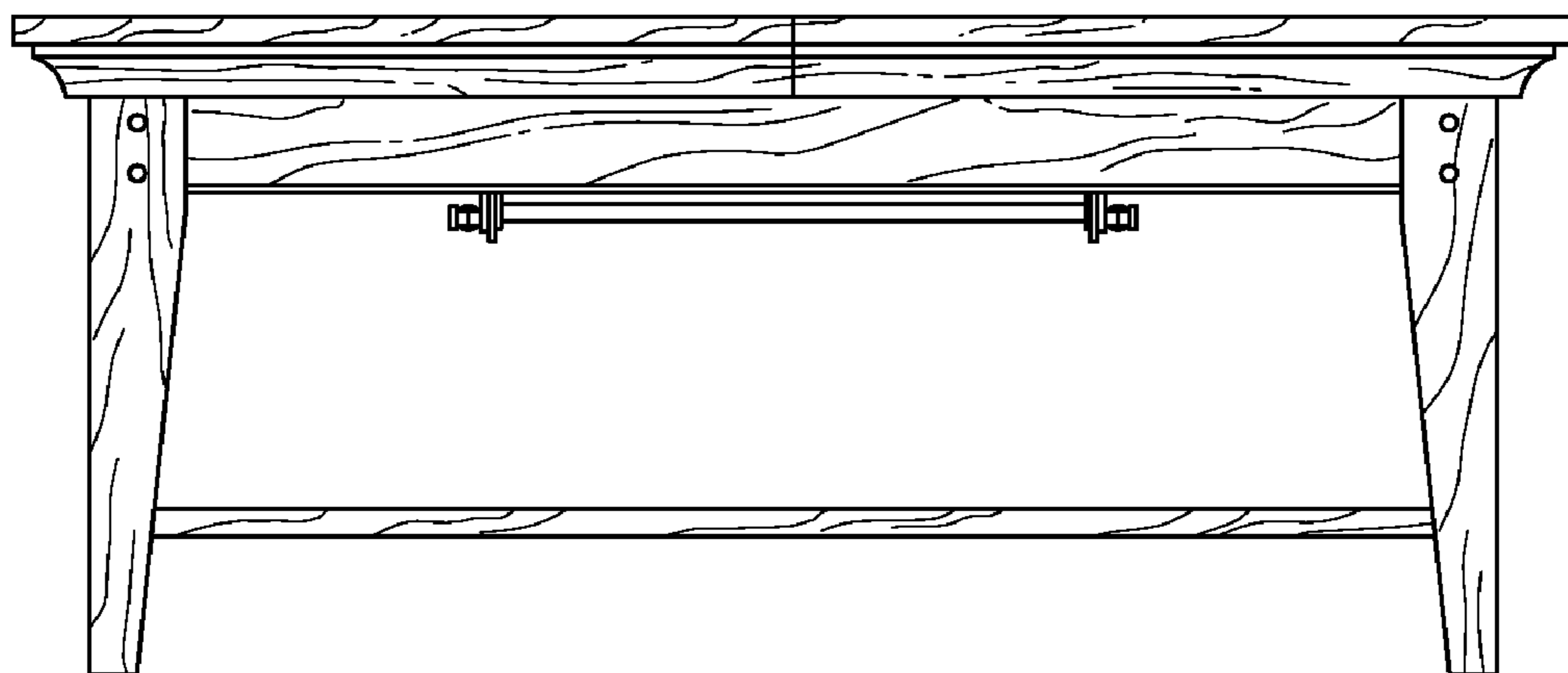


FIG. 3

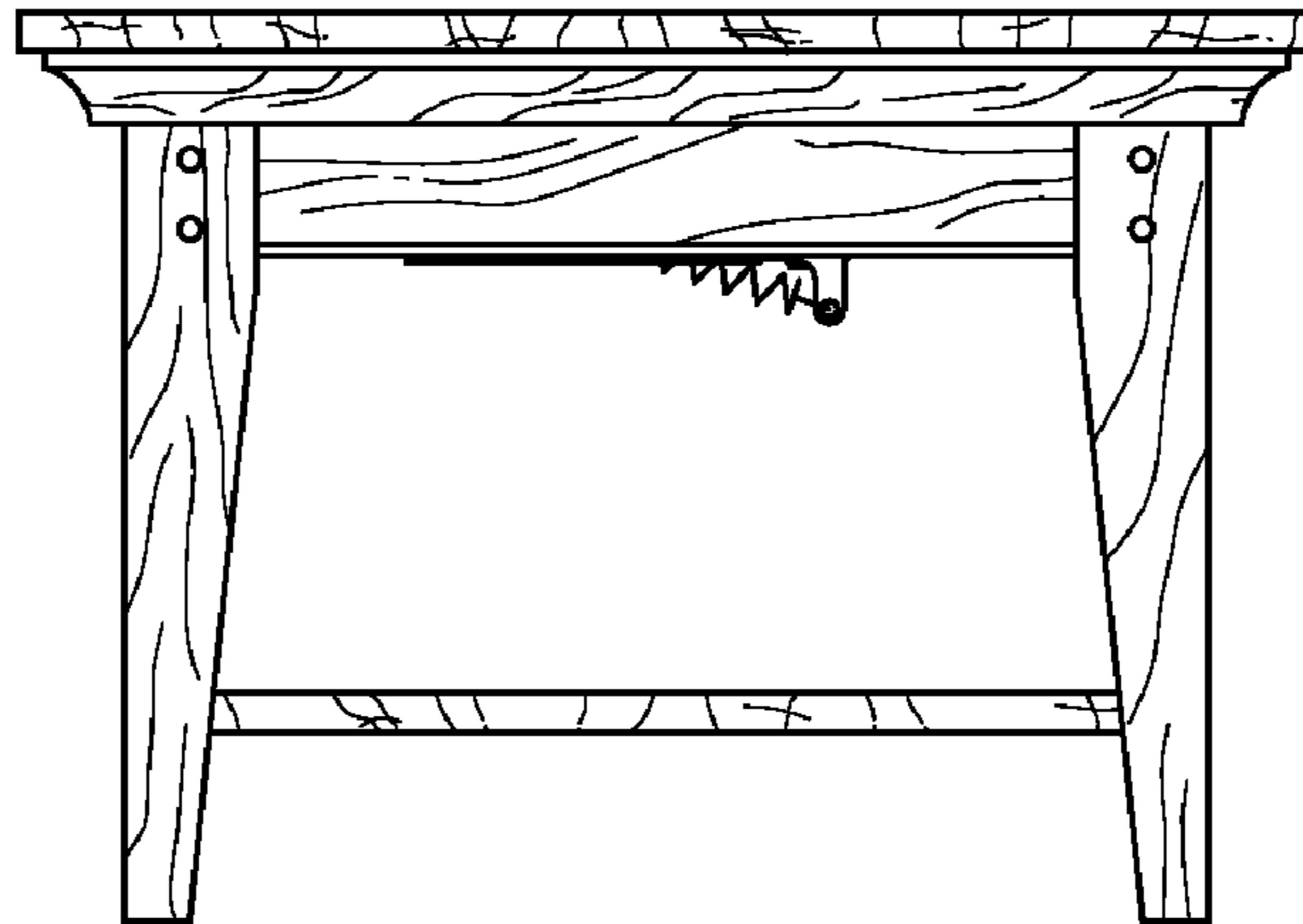


FIG. 4

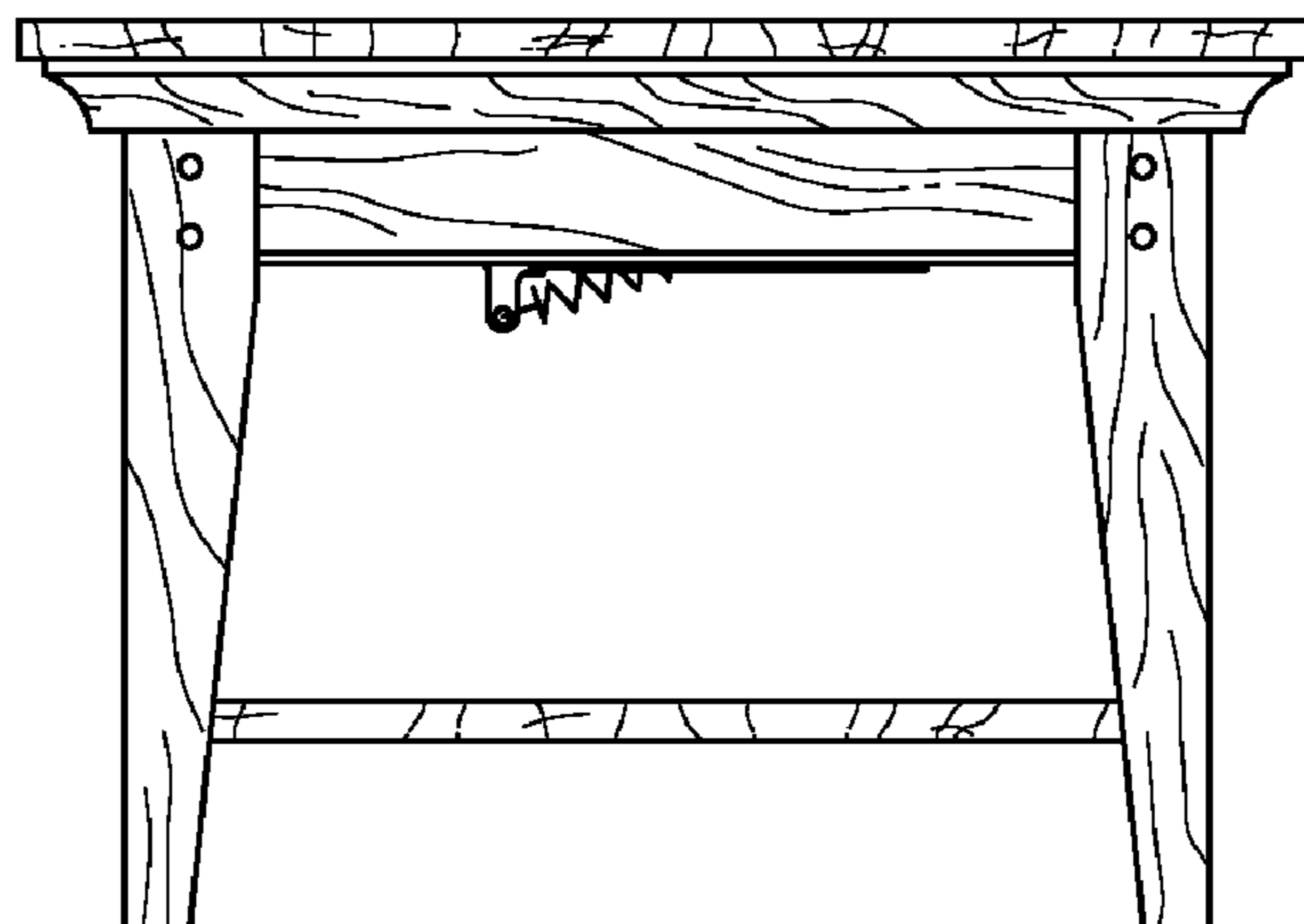


FIG. 5

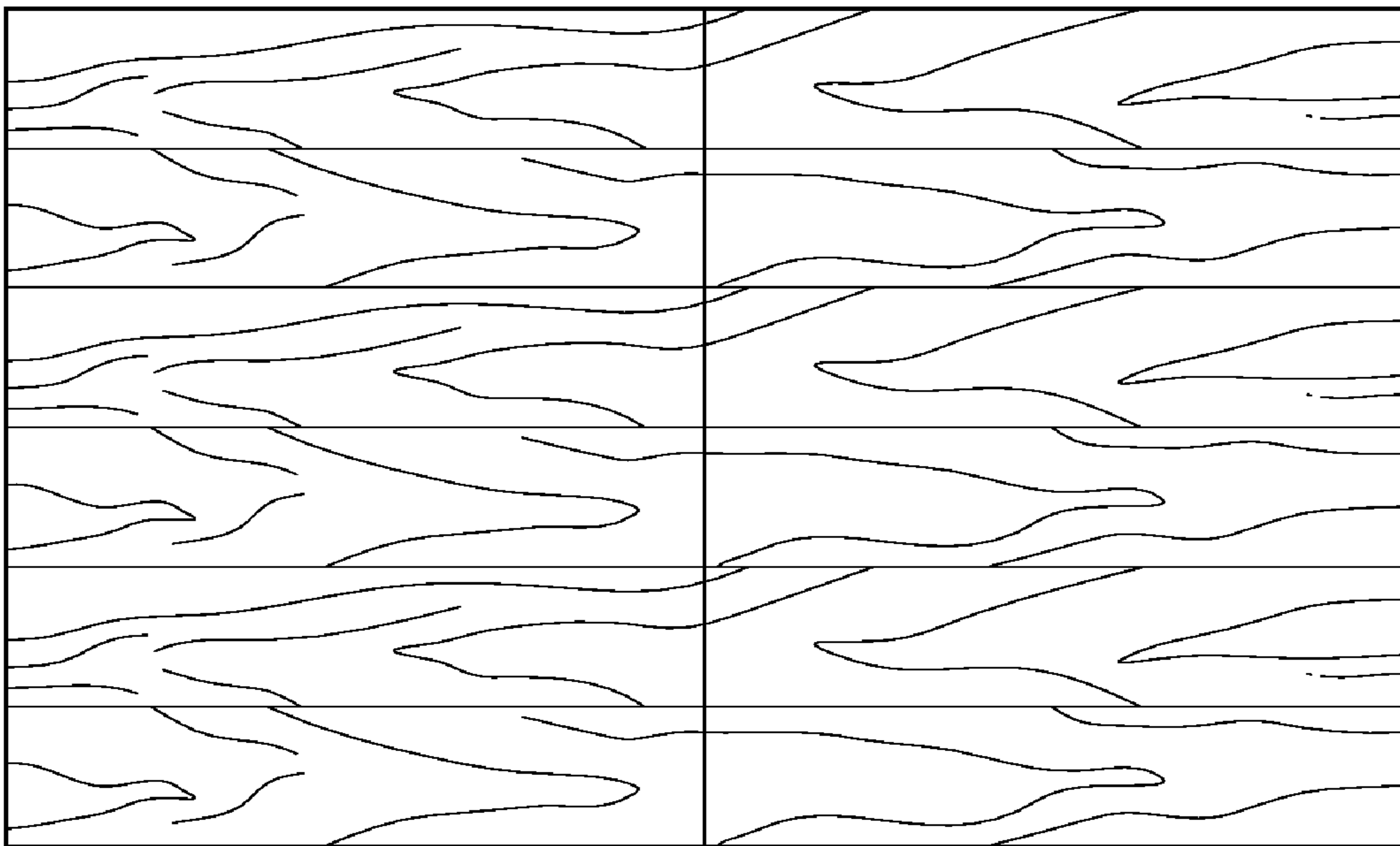


FIG.6

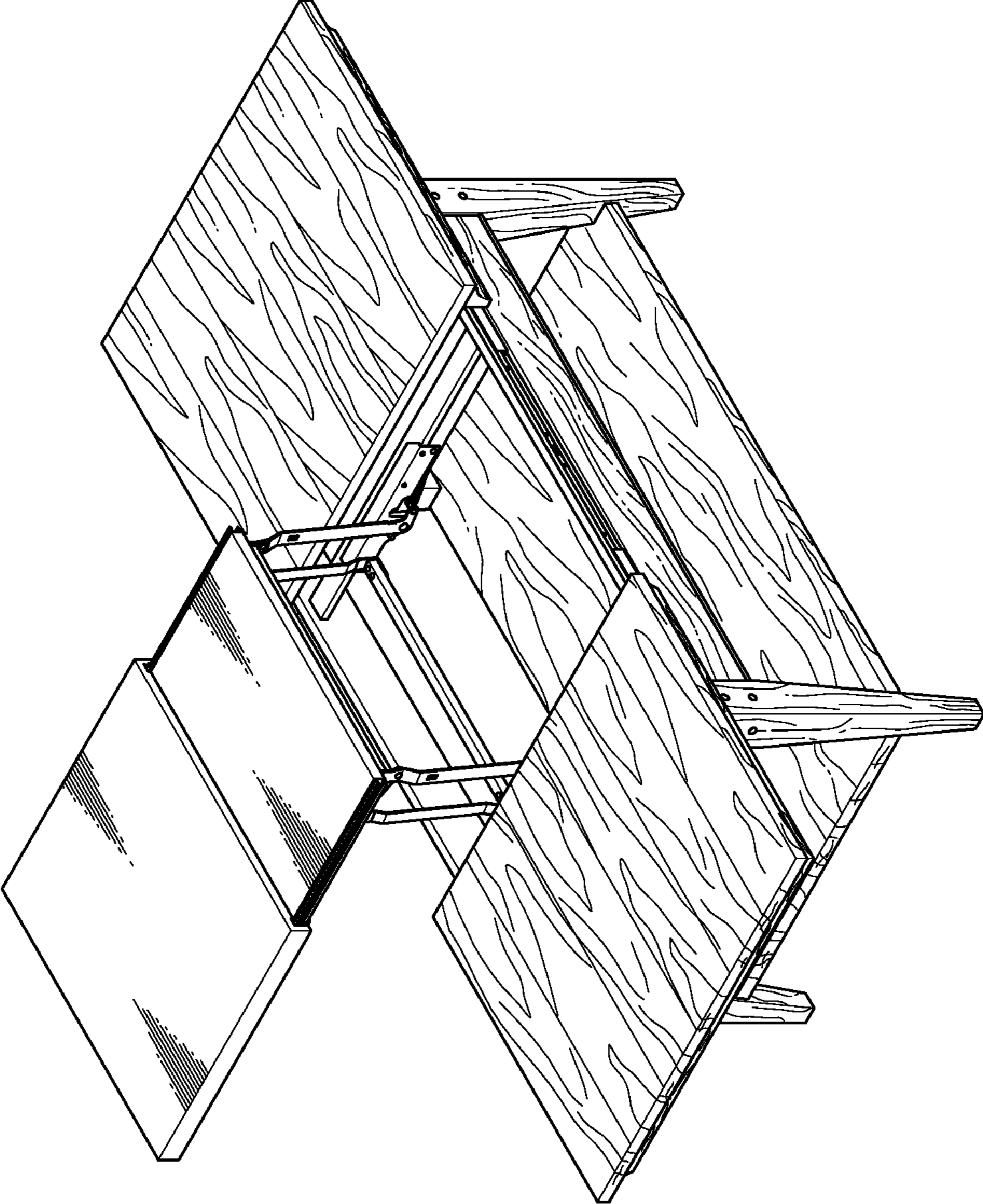


FIG.7