



US00D584525S

(12) **United States Design Patent**
Ricci

(10) **Patent No.:** **US D584,525 S**
(45) **Date of Patent:** **** Jan. 13, 2009**

(54) **SOFA**
(75) Inventor: **Luca Ricci**, Shenzhen (CN)
(73) Assignee: **De Coro Limited**, Hong Kong (HK)
(**) Term: **14 Years**
(21) Appl. No.: **29/318,245**
(22) Filed: **May 15, 2008**
(51) **LOC (9) Cl.** **06-01**
(52) **U.S. Cl.** **D6/381**
(58) **Field of Classification Search** D6/334,
D6/335, 361, 367, 369, 375-377, 381, 491,
D6/492, 495, 500-502; 297/232, 233, 283.2,
297/283.3, 445.1, 448.1, 452.1, 452.38, 452.48,
297/353, 354.1, 411.2, 451.9, 463.1; 5/12.1,
5/12.2

See application file for complete search history.

(56) **References Cited**

U.S. PATENT DOCUMENTS

D373,484 S * 9/1996 Natuzzi et al. D6/381
D388,631 S * 1/1998 Natuzzi et al. D6/381
D392,809 S * 3/1998 Natuzzi et al. D6/381
D399,360 S * 10/1998 Natuzzi et al. D6/381
D399,361 S * 10/1998 Natuzzi et al. D6/381
D399,362 S * 10/1998 Natuzzi et al. D6/381
D399,363 S * 10/1998 Natuzzi et al. D6/381
D403,173 S * 12/1998 Ferguson et al. D6/381
D430,422 S * 9/2000 Natuzzi et al. D6/381
D440,056 S * 4/2001 Natuzzi et al. D6/334
D441,979 S * 5/2001 Watson D6/381
D468,927 S * 1/2003 Denton D6/381
D469,264 S * 1/2003 Natuzzi et al. D6/334
D470,676 S * 2/2003 Ricci D6/381
D474,910 S * 5/2003 Ricci D6/381
D474,916 S * 5/2003 Ricci D6/381
D476,498 S * 7/2003 Ricci D6/381
D476,501 S * 7/2003 Ricci D6/381
D483,196 S * 12/2003 Ricci D6/381
D489,196 S * 5/2004 Ricci D6/381
D489,546 S * 5/2004 Ricci D6/381

D490,999 S * 6/2004 Ricci D6/381
D491,000 S * 6/2004 Ricci D6/381
D493,629 S * 8/2004 Ricci D6/381
D495,158 S * 8/2004 Nastri D6/381
D495,889 S * 9/2004 Ricci D6/334
D495,897 S * 9/2004 Ricci D6/381
D497,733 S * 11/2004 Ricci D6/381
D498,076 S * 11/2004 Ricci D6/381
D504,027 S * 4/2005 Ricci D6/381
D504,032 S * 4/2005 Ricci D6/381
D506,881 S * 7/2005 Nastri D6/381
D509,674 S * 9/2005 Ricci D6/381
D510,818 S * 10/2005 Nastri D6/381
D511,424 S * 11/2005 Ricci D6/381
D514,334 S * 2/2006 Ricci D6/334
D514,347 S * 2/2006 Natuzzi D6/381
D520,772 S * 5/2006 Natuzzi D6/381
D520,773 S * 5/2006 Natuzzi D6/381
D521,270 S * 5/2006 Natuzzi D6/381
D527,197 S * 8/2006 Natuzzi D6/381
D540,560 S * 4/2007 Natuzzi D6/381
D541,073 S * 4/2007 Natuzzi D6/381
D542,047 S * 5/2007 Nastri D6/381
D552,860 S * 10/2007 Ricci D6/381
D561,486 S * 2/2008 Ricci D6/381

* cited by examiner

Primary Examiner—Sandra Snapp
(74) *Attorney, Agent, or Firm*—Mitchell P. Brook; Luce,
Forward, Hamilton & Scripps

(57) **CLAIM**

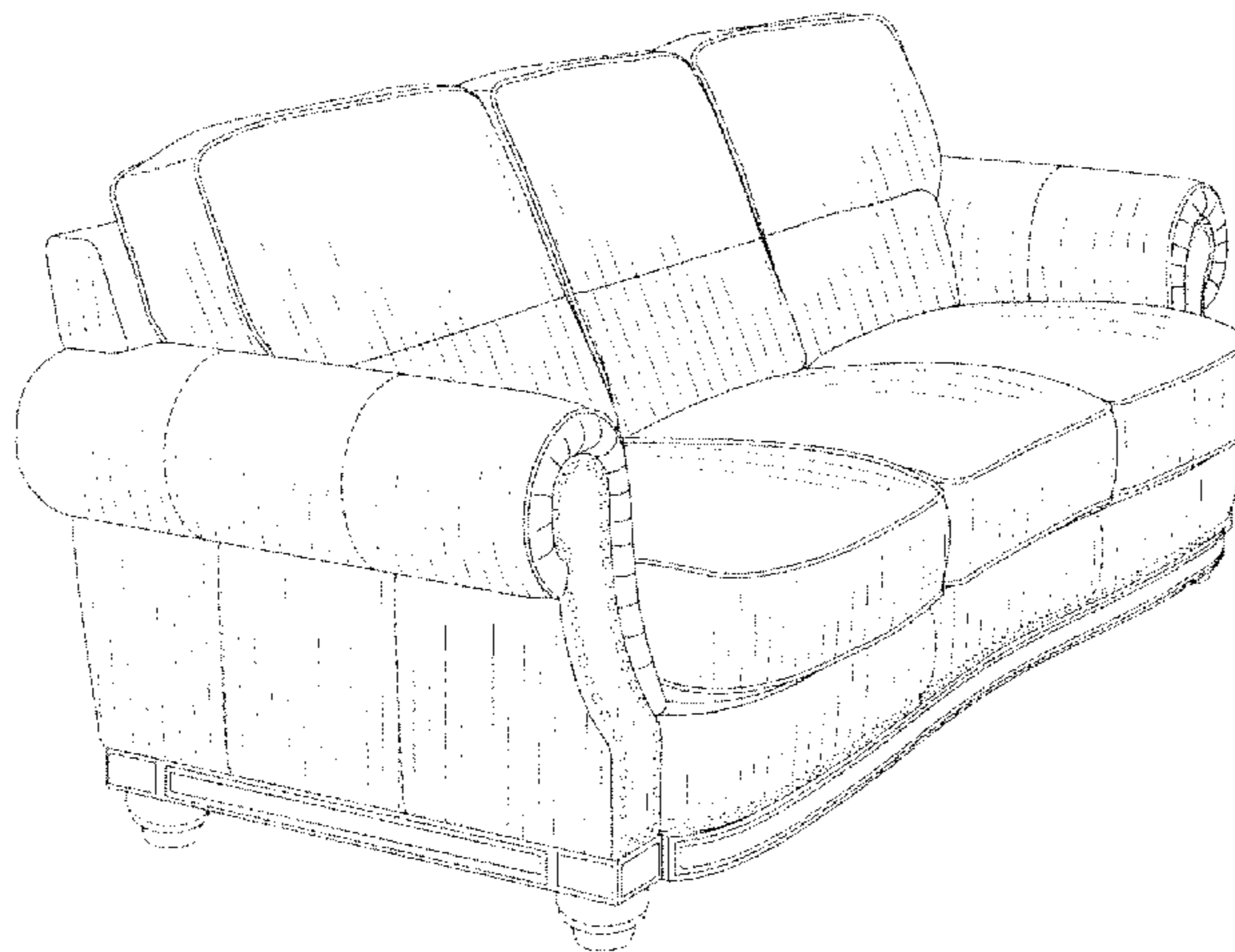
The ornamental design for a sofa, as shown and described.

DESCRIPTION

FIG. 1 is a front perspective view of the sofa design;
FIG. 2 is a front view thereof;
FIG. 3 is a top view thereof;
FIG. 4 is a right, side view thereof; and,
FIG. 5 is a back view thereof.

The broken line disclosure is for illustrative purposes only
and forms no part of the claimed design.

1 Claim, 3 Drawing Sheets



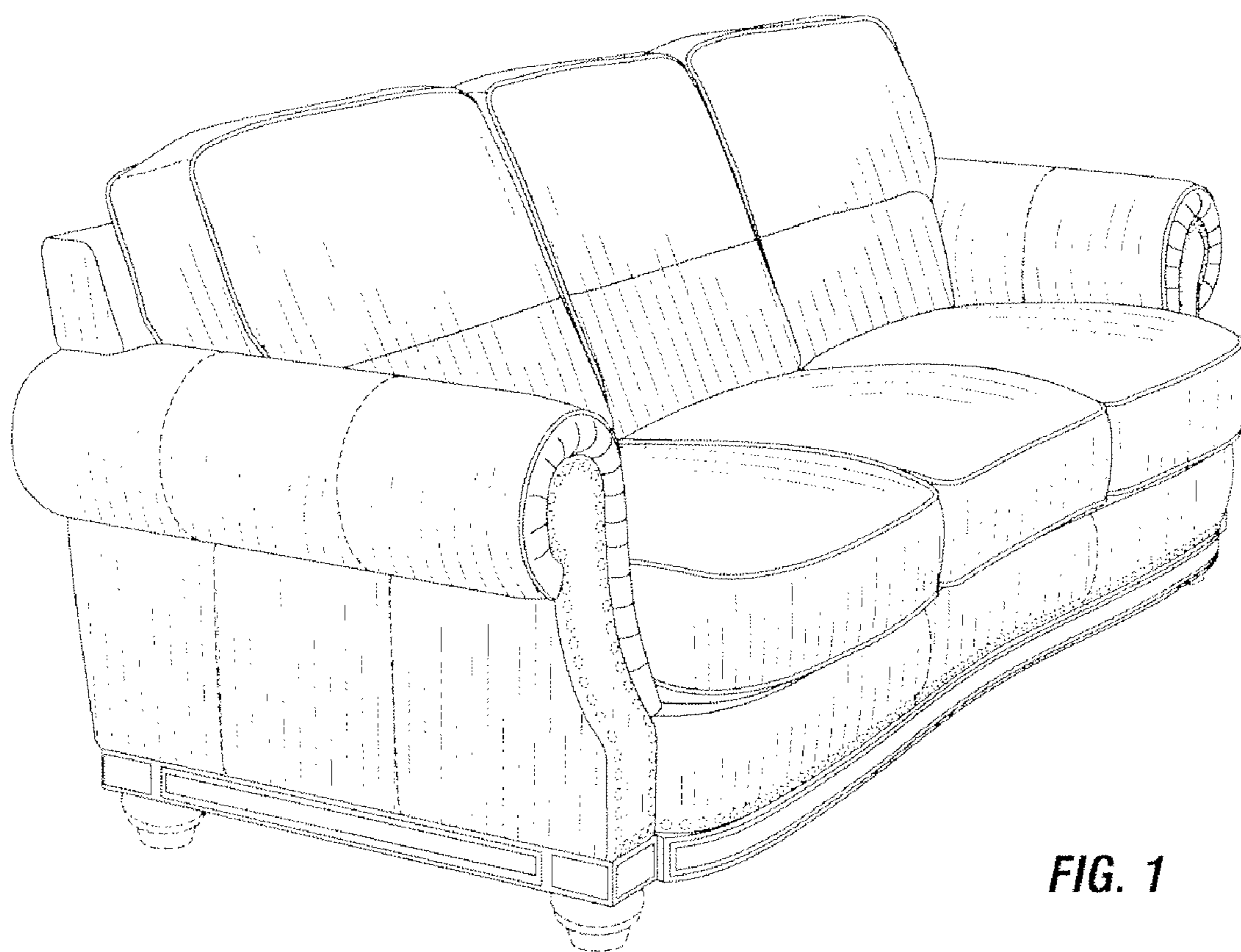


FIG. 1

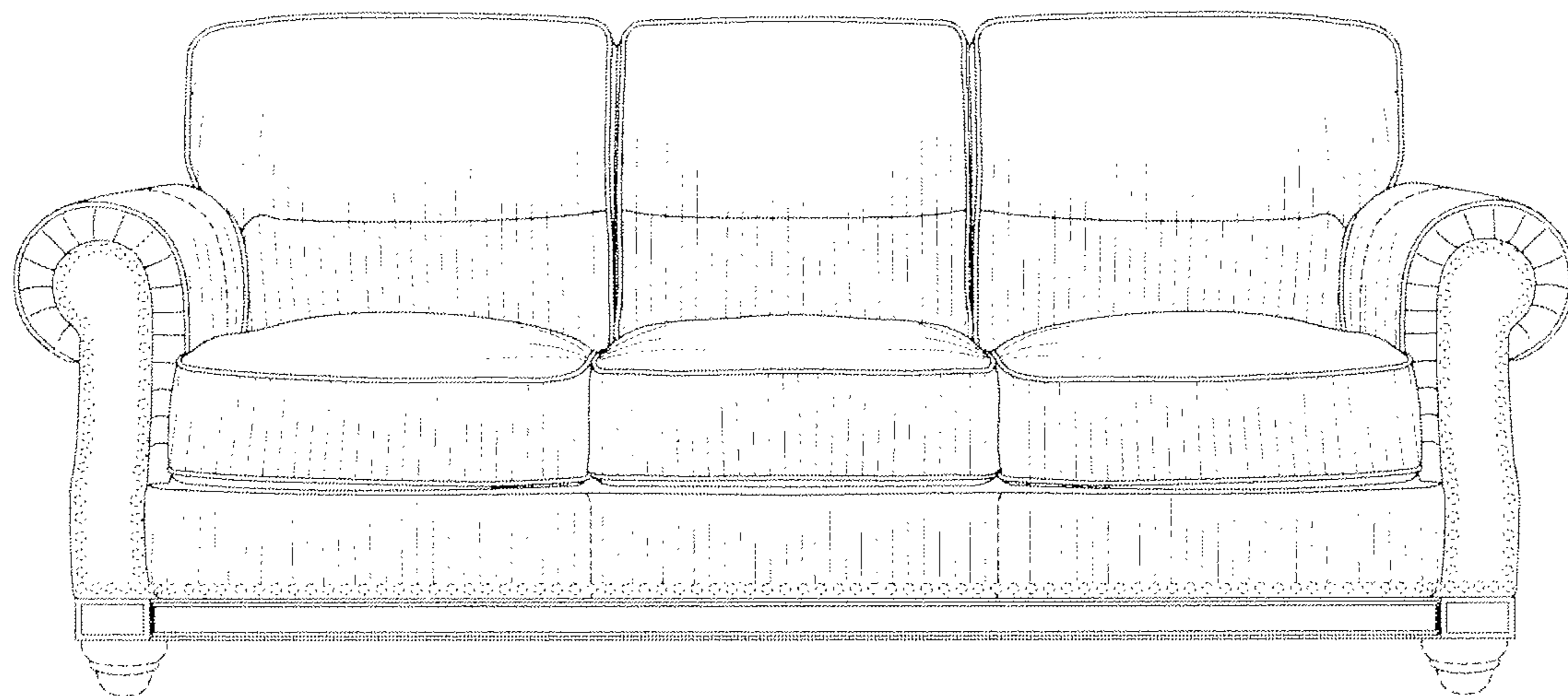


FIG. 2

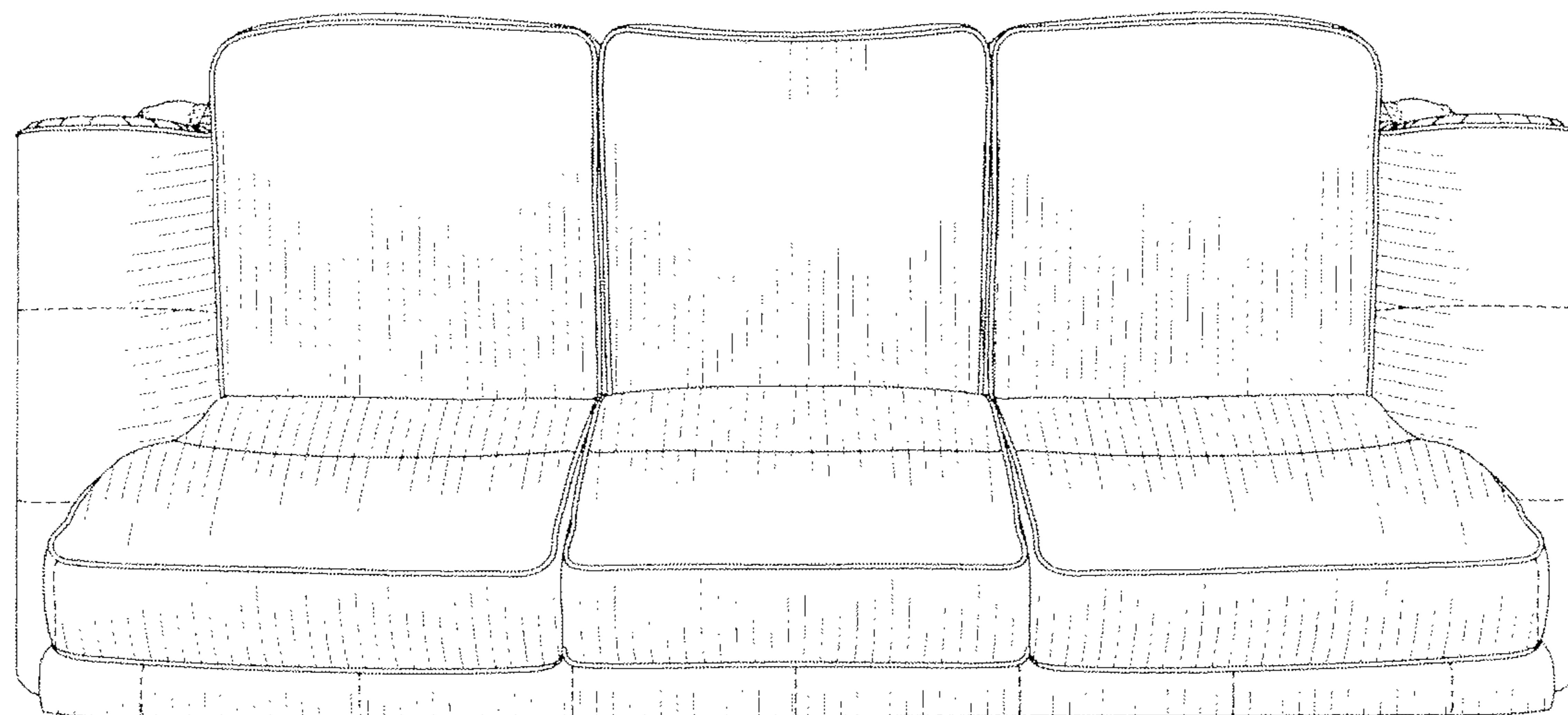


FIG. 3

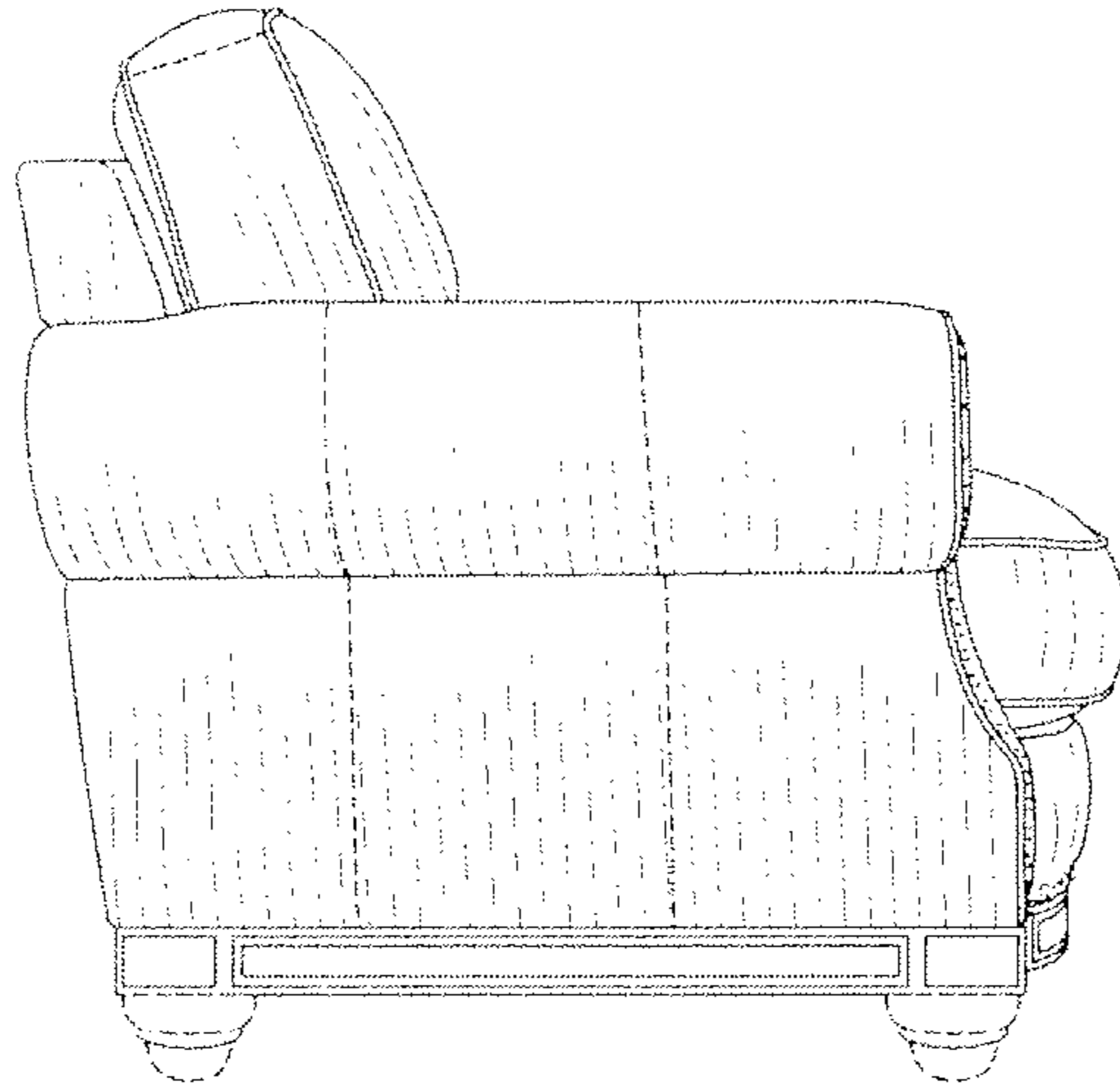


FIG. 4

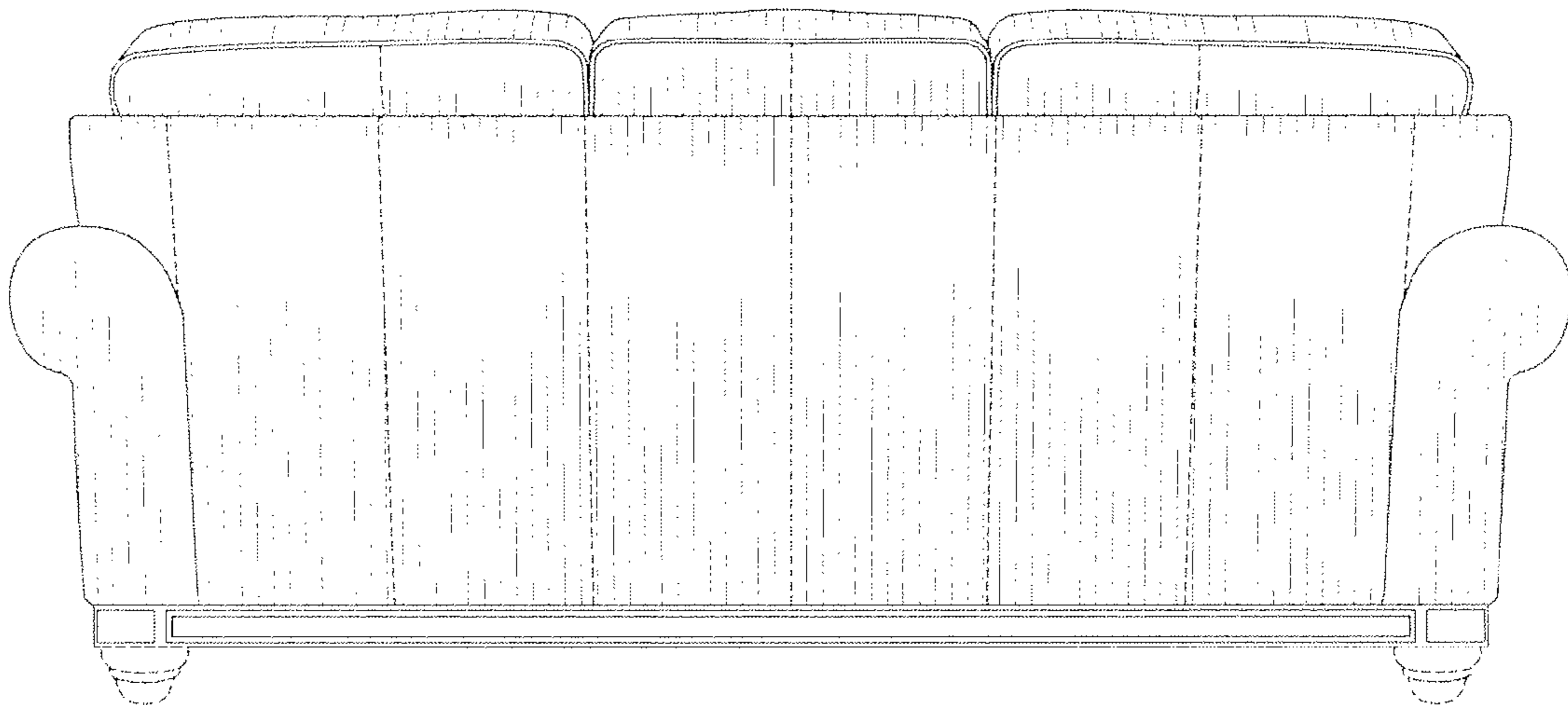


FIG. 5